

# 香港知識產權公報

Hong Kong Intellectual Property Journal

2025年1月3日

03 January 2025

## 目錄 Contents

### 根據註冊外觀設計條例第 25 條註冊的外觀設計

#### **Designs Registered under section 25 of the Registered Designs Ordinance**

按註冊編號排列

Arranged by Registration Number

### 根據註冊外觀設計條例(第 522 章)公布的其他公告

#### **Other Notices Published under the Registered Designs Ordinance (Cap. 522)**

根據註冊外觀設計條例第 28 條，註冊外觀設計因未繳續期費而停止有效

Registered designs ceased through non-payment of renewal fees under section 28 of the Registered Designs Ordinance

根據註冊外觀設計規則第 31 條刪除的註冊外觀設計

Registered designs removed under section 31 of the Registered Designs Rules

### 以下事項沒有記錄

#### **No Records for the Following Matters**

根據註冊外觀設計條例第 30 條放棄的外觀設計的註冊

Surrender of Registration of Design under section 30 of the Registered Designs Ordinance

根據註冊外觀設計規則第 37 條，向處長作出轉介

Reference to Registrar under section 37 of the Registered Designs Rules

根據註冊外觀設計條例第 45 條，撤銷註冊

Revocation of Registration under section 45 of the Registered Designs Ordinance

根據註冊外觀設計規則第 46 條，向法院作出轉介

Reference to Court under section 46 of the Registered Designs Rules

根據註冊外觀設計規則第 63 條對不符合規定之處作出糾正

Rectification of Irregularities under section 63 of the Registered Designs Rules

根據註冊外觀設計條例第 66 條，糾正註冊紀錄冊

Rectification of Register under section 66 of the Registered Designs Ordinance

根據註冊外觀設計條例第 67 條 更正註冊紀錄冊內的錯誤

Correction of errors in Register under section 67 of the Registered Designs Ordinance

根據註冊外觀設計條例第 67 及 76 條，更正註冊紀錄冊內及已提交文件中的錯誤

Correction of Errors in Register and in Filed Documents under sections 67 and 76 of the Registered Designs Ordinance

根據註冊外觀設計條例第 76 條，更正已提交文件中的錯誤

Correction of errors in filed documents under section 76 of the Registered Designs Ordinance

勘誤

Corrigendum

## 註冊外觀設計公告註釋

### Notes on advertisements of registration of designs

方括號表示下列資料：

Square brackets indicate the following data：

[11] 註冊編號 Registration number / 聯合王國註冊編號 United Kingdom registration number

[15] 註冊日期 Registration date / 當作註冊日期 Deemed registration date / 聯合王國註冊日期 United Kingdom registration date

[17] 註冊有效期屆滿日期 Expiry date of the period of registration

[22] 提交日期 Filing date / 當作提交日期 Deemed filing date / 聯合王國提交日期 United Kingdom filing date

[30] 聲稱享有的優先權（提交日期 / 巴黎公約國或世界貿易組織成員 / 申請編號） Priority claimed (filing date / Paris Convention country or WTO member / application number)

[51] 國際外觀設計分類號（洛迦諾分類號） International Classification of designs (Locarno Classification)

[54] 物品 Article

[55] 外觀設計的表述 Representation of the design

[62] 分開前的申請編號及提交日期 Application number before division and filing date

[66] 過往註冊的聯繫外觀設計註冊編號 / 日期 Registration No. / Date of Previous Registration for Association

[72] 設計人 Designer

[73] 擁有人姓名和地址 Name and address of the owner

[74] 代理人 Agent /送達地址 Address for service



香港特別行政區政府知識產權署外觀設計註冊處

The Government of the Hong Kong Special Administrative Region

Designs Registry, Intellectual Property Department

## 根據註冊外觀設計條例第 25 條註冊的外觀設計

### Designs registered under section 25 of the Registered Designs Ordinance

按註冊編號排列

Arranged by Registration Number

[11] 2422803.7

[15] 07-02-2024

[30] 14-08-2023 / EU / 015031104

[51] Cl. 14-01

[54] 耳機

Headset

[73] Bang & Olufsen A/S

Bang og Olufsen Allé 1,

7600 Struer,

Denmark

[74] BARRON & YOUNG INTELLECTUAL PROPERTY LIMITED

Suite 617, Lakeside 2,

No. 10 Science Park West Avenue,

Hong Kong Science Park,

Shatin, New Territories, Hong Kong



[11] 2423384.7

[15] 24-05-2024

[51] Cl. 9-03

[54] 洗護液容器

Lotion container

[73] 深圳市中舜商業運營管理有限公司

Shenzhen Zhongshun commercial operation management Co., LTD

中國

深圳市福田區園嶺街道上林社區八卦三路

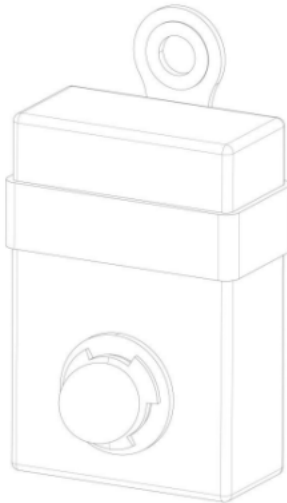
一致藥業小區深藥大廈 5 棟 801-16

[74] 香港凱旋知識產權代理有限公司

香港

九龍灣宏光道 8 號

創豪坊 7 樓 706 室 A 區



[11] 2423391.2M001

[15] 28-05-2024

[30] 05-12-2023 / CN / 2023307992262

[51] Cl. 9-03

[54] 包裝盒

Packing box

[73] 瀋陽興齊眼藥股份有限公司

Shenyang Xingqi Pharmaceutical Co.,Ltd.

中國

遼寧省瀋陽市渾南區中國(遼寧)自由貿易試驗區

瀋陽片區新運河路 25 號，郵編：110167

[74] 香港柳沈知識產權服務公司

香港

灣仔港灣道 30 號

新鴻基中心 37 樓 3716 室



[11] 2423391.2M002

[15] 28-05-2024

[30] 05-12-2023 / CN / 2023307992262

[51] C1. 9-03

[54] 包裝盒

Packing box

[73] 瀋陽興齊眼藥股份有限公司

Shenyang Xingqi Pharmaceutical Co.,Ltd.

中國

遼寧省瀋陽市渾南區中國(遼寧)自由貿易試驗區

瀋陽片區新運河路 25 號，郵編：110167

[74] 香港柳沈知識產權服務公司

香港

灣仔港灣道 30 號

新鴻基中心 37 樓 3716 室





- [11] 2423391.2M003
- [15] 28-05-2024
- [51] Cl. 9-03
- [54] 包裝盒  
Packing box
- [73] 瀋陽興齊眼藥股份有限公司  
Shenyang Xingqi Pharmaceutical Co.,Ltd.  
中國  
遼寧省瀋陽市渾南區中國(遼寧)自由貿易試驗區  
瀋陽片區新運河路 25 號, 郵編: 110167
- [74] 香港柳沈知識產權服務公司  
香港  
灣仔港灣道 30 號  
新鴻基中心 37 樓 3716 室



- [11] 2423391.2M004
- [15] 28-05-2024
- [51] Cl. 9-03
- [54] 包裝盒  
Packing box
- [73] 瀋陽興齊眼藥股份有限公司  
Shenyang Xingqi Pharmaceutical Co.,Ltd.  
中國  
遼寧省瀋陽市渾南區中國(遼寧)自由貿易試驗區  
瀋陽片區新運河路 25 號, 郵編: 110167
- [74] 香港柳沈知識產權服務公司  
香港

灣仔港灣道 30 號  
新鴻基中心 37 樓 3716 室



[11] 2423391.2M005

[15] 28-05-2024

[51] C1. 9-03

[54] 包裝盒

Packing box

[73] 瀋陽興齊眼藥股份有限公司

Shenyang Xingqi Pharmaceutical Co.,Ltd.

中國

遼寧省瀋陽市渾南區中國(遼寧)自由貿易試驗區

瀋陽片區新運河路 25 號，郵編：110167

[74] 香港柳沈知識產權服務公司

香港

灣仔港灣道 30 號

新鴻基中心 37 樓 3716 室



- [11] 2423391.2M006
- [15] 28-05-2024
- [51] C1. 9-03
- [54] 包裝盒  
Packing box
- [73] 瀋陽興齊眼藥股份有限公司  
Shenyang Xingqi Pharmaceutical Co.,Ltd.  
中國  
遼寧省瀋陽市渾南區中國(遼寧)自由貿易試驗區  
瀋陽片區新運河路 25 號，郵編：110167
- [74] 香港柳沈知識產權服務公司  
香港  
灣仔港灣道 30 號  
新鴻基中心 37 樓 3716 室



[11] 2423391.2M007

[15] 28-05-2024

[51] Cl. 9-03

[54] 包裝盒

Packing box

[73] 瀋陽興齊眼藥股份有限公司

Shenyang Xingqi Pharmaceutical Co.,Ltd.

中國

遼寧省瀋陽市渾南區中國(遼寧)自由貿易試驗區

瀋陽片區新運河路 25 號, 郵編: 110167

[74] 香港柳沈知識產權服務公司

香港

灣仔港灣道 30 號

新鴻基中心 37 樓 3716 室



[11] 2423391.2M008

[15] 28-05-2024

[51] Cl. 9-03

[54] 包裝盒

Packing box

[73] 瀋陽興齊眼藥股份有限公司

Shenyang Xingqi Pharmaceutical Co.,Ltd.

中國

遼寧省瀋陽市渾南區中國(遼寧)自由貿易試驗區

瀋陽片區新運河路 25 號, 郵編: 110167

[74] 香港柳沈知識產權服務公司

香港

灣仔港灣道 30 號

新鴻基中心 37 樓 3716 室



[11] 2423391.2M009

[15] 28-05-2024

[51] C1. 9-03

[54] 包裝盒  
Packing box

[73] 瀋陽興齊眼藥股份有限公司  
Shenyang Xingqi Pharmaceutical Co.,Ltd.  
中國  
遼寧省瀋陽市渾南區中國(遼寧)自由貿易試驗區  
瀋陽片區新運河路 25 號, 郵編: 110167

[74] 香港柳沈知識產權服務公司  
香港  
灣仔港灣道 30 號  
新鴻基中心 37 樓 3716 室



[11] 2423391.2M010

[15] 28-05-2024

[51] Cl. 9-03

[54] 包裝盒

Packing box

[73] 瀋陽興齊眼藥股份有限公司

Shenyang Xingqi Pharmaceutical Co.,Ltd.

中國

遼寧省瀋陽市渾南區中國(遼寧)自由貿易試驗區

瀋陽片區新運河路 25 號，郵編：110167

[74] 香港柳沈知識產權服務公司

香港

灣仔港灣道 30 號

新鴻基中心 37 樓 3716 室



[11] 2423391.2M011

[15] 28-05-2024

[51] Cl. 9-03

[54] 包裝盒

Packing box

[73] 瀋陽興齊眼藥股份有限公司

Shenyang Xingqi Pharmaceutical Co.,Ltd.

中國

遼寧省瀋陽市渾南區中國(遼寧)自由貿易試驗區

瀋陽片區新運河路 25 號，郵編：110167

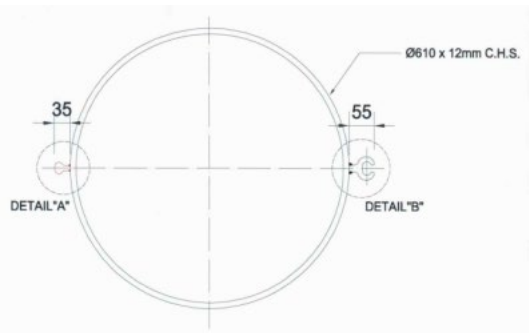
[74] 香港柳沈知識產權服務公司

香港

灣仔港灣道 30 號  
新鴻基中心 37 樓 3716 室



- [11] 2423397.5
- [15] 29-05-2024
- [51] Cl. 25-01
- [54] 管樁  
Pipe pile
- [73] 浩瀚系統模板有限公司  
Ho Hon System Formworks Limited  
香港  
新界荃灣白田壩街 36-44 號  
信義工業大廈 20 樓 A25 室
- [74] 罗国荣  
香港  
新界荃灣白田壩街 36-44 號  
信義工業大廈 20 樓 A25 室



- [11] 2423466.2

[15] 04-06-2024

[30] 07-12-2023 / EU / 015043489-0001

[51] Cl. 9-01

[54] 容器(包裝用)

Pot (packaging)

[73] GUERLAIN

68 Avenue des Champs-Élysées, 75008 PARIS,  
FRANCE

[74] WENPING PATENT & TRADE MARK AGENT LIMITED

1701 Tung Wai Commercial Building,  
111 Gloucester Road,  
Hong Kong



---

[11] 2423676.8

[15] 12-07-2024

[51] Cl. 11-01

[54] 戒指

Ring

[73] 米天妮珠寶有限公司

MARRY ME JEWEL LIMITED

香港

尖沙咀金巴利道 45-47 號

金巴利廣場 7 樓 701 室

[74] 米天妮珠寶有限公司

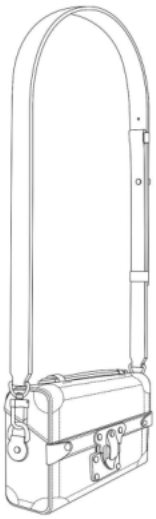
香港

尖沙咀金巴利道 45-47 號金巴利廣場 7 樓 701 室

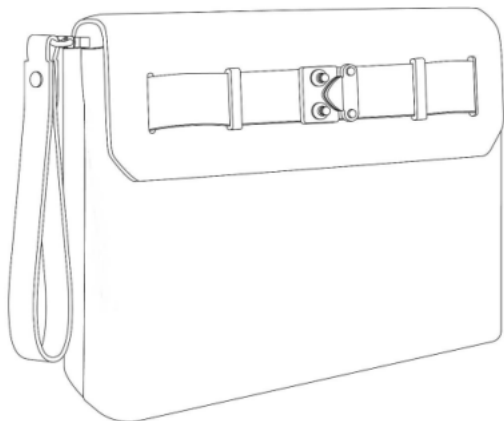




- [11] 2423688.3  
[15] 15-07-2024  
[30] 15-01-2024 / FR / 20240201  
[51] Cl. 3-01  
[54] 袋  
Bag  
[73] LOUIS VUITTON MALLETIER  
2 rue du Pont-Neuf,  
75001 Paris,  
France  
[74] BAKER & MCKENZIE  
14TH FLOOR, ONE TAIKOO PLACE,  
979 KING'S ROAD, QUARRY BAY,  
HONG KONG



- [11] 2423689.5  
[15] 15-07-2024  
[30] 18-01-2024 / FR / 20240273  
[51] Cl. 3-01  
[54] 袋  
Bag  
[73] LOUIS VUITTON MALLETIER  
2 rue du Pont-Neuf,  
75001 Paris,  
France  
[74] BAKER & MCKENZIE  
14TH FLOOR, ONE TAIKOO PLACE,  
979 KING'S ROAD, QUARRY BAY,  
HONG KONG



---

[11] 2423713.7M001

[15] 18-07-2024

[30] 19-01-2024 / US / 29/924,746

[51] Cl. 14-02

[54] 頭戴式顯示器

Head-mounted display

[73] 蘋果公司

APPLE INC.

One Apple Park Way, Cupertino, California, 95014,  
United States of America

[74] CLT PATENT & TRADEMARK (H.K.) LIMITED

Unit 09, 34/F., Office Tower, Convention Plaza,  
1 Harbour Road, Wanchai,  
Hong Kong



---

[11] 2423713.7M002

[15] 18-07-2024

[30] 19-01-2024 / US / 29/924,746

[51] Cl. 14-02

[54] 頭戴式顯示器

Head-mounted display

[73] 蘋果公司

APPLE INC.

One Apple Park Way, Cupertino, California, 95014,  
United States of America

[74] CLT PATENT & TRADEMARK (H.K.) LIMITED

Unit 09, 34/F., Office Tower, Convention Plaza,  
1 Harbour Road, Wanchai,  
Hong Kong



---

[11] 2423720.2M001

[15] 18-07-2024

[30] 19-01-2024 / US / 29/924,737

[51] Cl. 14-02

[54] 用於頭戴式顯示器的帶

Band for head-mounted display

[73] 蘋果公司

APPLE INC.

One Apple Park Way, Cupertino, California, 95014,  
United States of America

[74] CLT PATENT & TRADEMARK (H.K.) LIMITED

Unit 09, 34/F., Office Tower, Convention Plaza,  
1 Harbour Road, Wanchai,  
Hong Kong



---

[11] 2423720.2M002

[15] 18-07-2024

[30] 19-01-2024 / US / 29/924,737

[51] Cl. 14-02

[54] 用於頭戴式顯示器的帶  
Band for head-mounted display

[73] 蘋果公司  
APPLE INC.  
One Apple Park Way, Cupertino, California, 95014,  
United States of America

[74] CLT PATENT & TRADEMARK (H.K.) LIMITED  
Unit 09, 34/F., Office Tower, Convention Plaza,  
1 Harbour Road, Wanchai,  
Hong Kong



---

[11] 2423720.2M003

[15] 18-07-2024

[30] 19-01-2024 / US / 29/924,737

[51] Cl. 14-02

[54] 用於頭戴式顯示器的帶

Band for head-mounted display

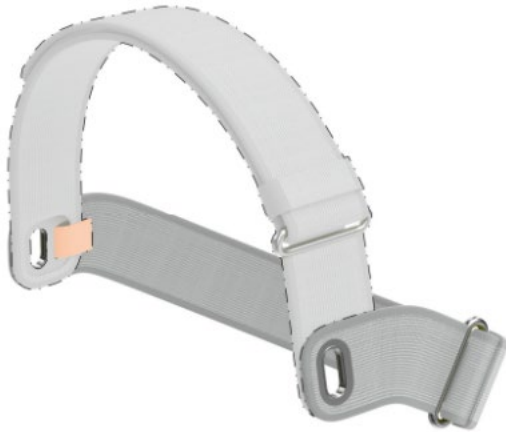
[73] 苹果公司

APPLE INC.

One Apple Park Way, Cupertino, California, 95014,  
United States of America

[74] CLT PATENT & TRADEMARK (H.K.) LIMITED

Unit 09, 34/F., Office Tower, Convention Plaza,  
1 Harbour Road, Wanchai,  
Hong Kong



---

[11] 2423783.4M001

[15] 30-07-2024

[30] 15-03-2024 / CN / 2024301341582

[51] Cl. 14-03

[54] 無人機遙控器增程天線

Drone remote control antenna range extender

[73] ALIENTECH TECHNOLOGY LIMITED

FLAT/RM 2705, 27/F,  
CHINA RESOURCES BUILDING,  
26 HARBOUR ROAD, WANCHAI,  
HONG KONG

[74] LOTUT (HK) LIMITED

香港

上水廣場 21 樓 2113 室 RM 869

新界上水龍琛路 39 號



---

[11] 2423783.4M002

[15] 30-07-2024

[30] 18-03-2024 / CN / 2024301359995

[51] Cl. 14-03

[54] 無人機遙控器增程天線

Drone remote control antenna range extender

[73] ALIENTECH TECHNOLOGY LIMITED

FLAT/RM 2705, 27/F,  
CHINA RESOURCES BUILDING,  
26 HARBOUR ROAD, WANCHAI,  
HONG KONG

[74] LOTUT (HK) LIMITED

香港

上水廣場 21 樓 2113 室 RM 869

新界上水龍琛路 39 號



- [11] 2423897.6
- [15] 26-08-2024
- [51] Cl. 28-01
- [54] 藥油  
Medicated oil
- [73] 李燕成  
Lee Yin Shing  
香港  
九龍旺角洗衣街 89 號  
A2 地舖高峰藥房
- [74] 李燕成  
香港  
九龍旺角洗衣街 89 號  
A2 地舖高峰藥房



- [11] 2424009.5
- [15] 11-09-2024
- [30] 12-03-2024 / KR / 30-2024-0009700
- [51] Cl. 28-03
- [54] 化妝品盒  
Cosmetic case
- [73] CJ Olive Young Corporation  
372 Hangang-daero, Yongsan-gu, Seoul,  
REPUBLIC OF KOREA
- [74] MARKS & CLERK  
Level 9, Cyberport 1,  
100 Cyberport Road, Pok Fu Lam,  
Hong Kong



[11] 2424071.5

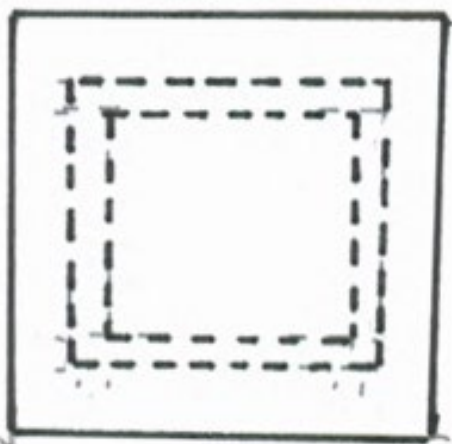
[15] 20-09-2024

[51] Cl. 25-02

[54] 混凝土預製件  
Concrete precast unit

[73] 吳曉波  
Ng Hiu Po  
香港  
九龍城啟晴邨  
滿晴樓 2607 號房

[74] 吳曉波  
香港  
啟晴邨  
滿晴樓，2607 號房





[11] 2424072.7

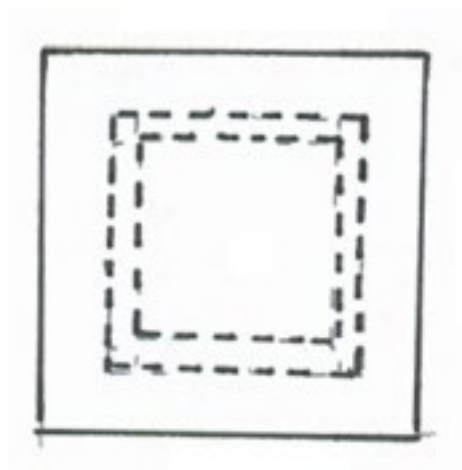
[15] 20-09-2024

[51] Cl. 25-02

[54] 混凝土預製件  
Concrete precast unit

[73] 吳曉波  
Ng Hiu Po  
香港  
九龍城啟晴邨  
滿晴樓 2607 號房

[74] 吳曉波  
香港  
啟晴邨  
滿晴樓，2607 號房



[11] 2424168.1

[15] 03-10-2024

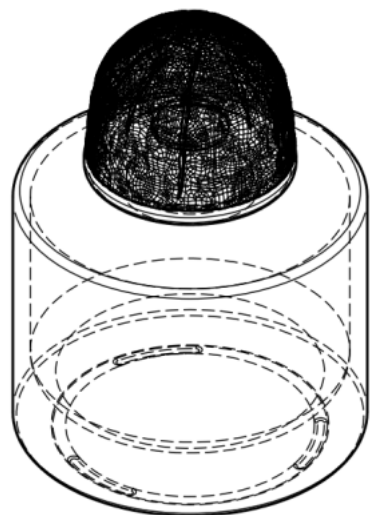
[30] 03-04-2024 / EU / 015055881-0002

[51] Cl. 9-01

[54] 香水瓶  
Fragrance bottle

[73] BYREDO AB  
Box 3065,  
SE-10361 Stockholm,  
SWEDEN

[74] ECCLES & LEE  
Suite 3212, Jardine House,  
1 Connaught Place, Central,  
Hong Kong



[11] 2424232.7

[15] 24-05-2024

[51] Cl. 3-01

[54] 耳塞盒

Earplug case

[73] SACCATER TECHNOLOGIES COMPANY LIMITED  
2306, PROSPER COMMERCIAL BUILDING,  
9 YIN CHONG STREET, MONGKOK, KOWLOON,  
HONG KONG

[74] SACCATER TECHNOLOGIES COMPANY LIMITED  
2306, PROSPER COMMERCIAL BUILDING,  
9 YIN CHONG STREET, MONGKOK, KOWLOON,  
HONG KONG



[11] 2424237.8M001

[15] 10-10-2024

[30] 12-04-2024 / IT / 402024000001138-52

[51] Cl. 23-01

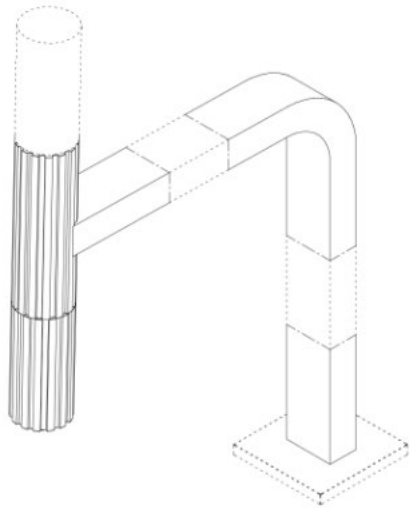
[54] 水龍頭

Faucet

[73] GESSI S.P.A.  
PARCO GESSI,  
FRAZIONE VINTEBBIO,

13037 SERRAVALLE SESIA (VC),  
ITALY

[74] WENPING PATENT & TRADE MARK AGENT LIMITED  
1701, Tung Wai Commercial Building,  
111 Gloucester Road,  
Hong Kong



---

[11] 2424237.8M002

[15] 10-10-2024

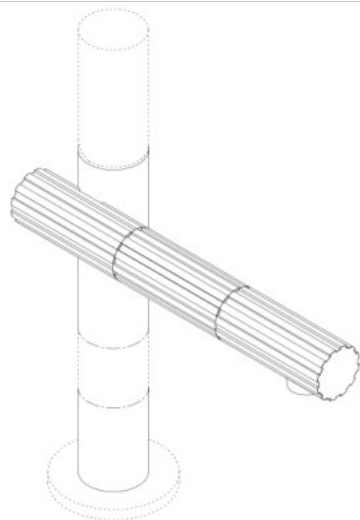
[30] 12-04-2024 / IT / 402024000001138-81

[51] C1. 23-01

[54] 水龍頭  
Faucet

[73] GESSI S.P.A.  
PARCO GESSI,  
FRAZIONE VINTEBBIO,  
13037 SERRAVALLE SESIA (VC),  
ITALY

[74] WENPING PATENT & TRADE MARK AGENT LIMITED  
1701, Tung Wai Commercial Building,  
111 Gloucester Road,  
Hong Kong



[11] 2424237.8M003

[15] 10-10-2024

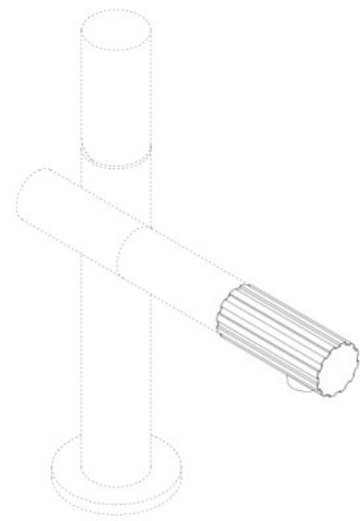
[30] 12-04-2024 / IT / 402024000001138-86

[51] Cl. 23-01

[54] 水龍頭  
Faucet

[73] GESSI S.P.A.  
PARCO GESSI,  
FRAZIONE VINTEBBIO,  
13037 SERRAVALLE SESIA (VC),  
ITALY

[74] WENPING PATENT & TRADE MARK AGENT LIMITED  
1701, Tung Wai Commercial Building,  
111 Gloucester Road,  
Hong Kong



[11] 2424237.8M004

[15] 10-10-2024

[30] 12-04-2024 / IT / 402024000001138-126

[51] Cl. 23-01

[54] 水龍頭手柄

Faucet handle

[73] GESSI S.P.A.

PARCO GESSI,

FRAZIONE VINTEBBIO,

13037 SERRAVALLE SESIA (VC),

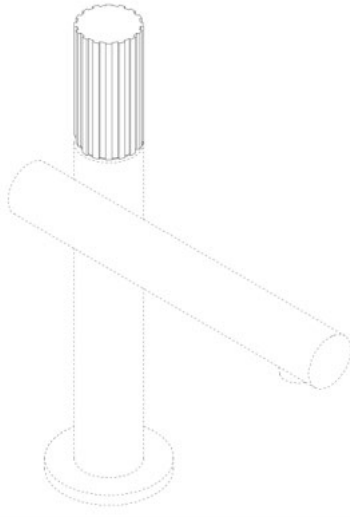
ITALY

[74] WENPING PATENT & TRADE MARK AGENT LIMITED

1701, Tung Wai Commercial Building,

111 Gloucester Road,

Hong Kong



[11] 2424237.8M005

[15] 10-10-2024

[30] 12-04-2024 / IT / 402024000001138-176

[51] Cl. 23-01

[54] 水龍頭手柄

Faucet handle

[73] GESSI S.P.A.

PARCO GESSI,

FRAZIONE VINTEBBIO,

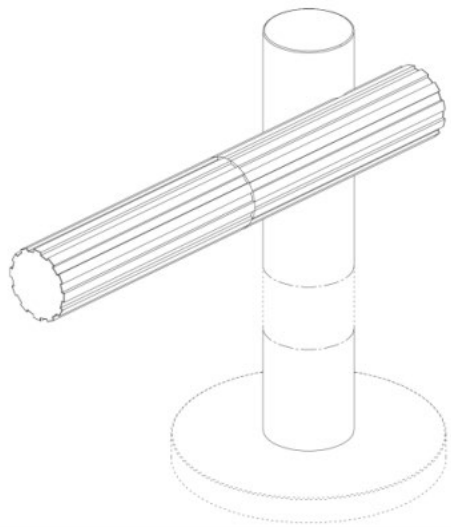
13037 SERRAVALLE SESIA (VC),

ITALY

[74] WENPING PATENT & TRADE MARK AGENT LIMITED

1701, Tung Wai Commercial Building,

111 Gloucester Road,  
Hong Kong



[11] 2424237.8M006

[15] 10-10-2024

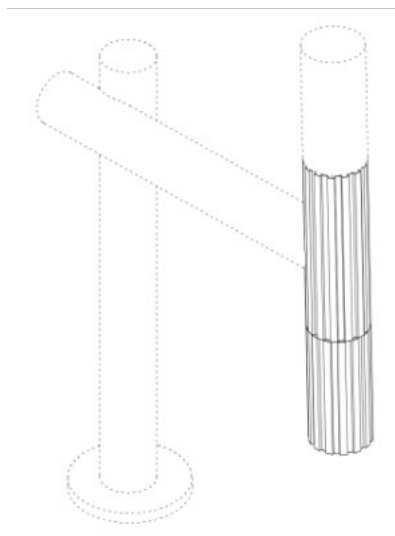
[30] 12-04-2024 / IT / 402024000001138-202

[51] Cl. 23-01

[54] 水龍頭  
Faucet

[73] GESSI S.P.A.  
PARCO GESSI,  
FRAZIONE VINTEBBIO,  
13037 SERRAVALLE SESIA (VC),  
ITALY

[74] WENPING PATENT & TRADE MARK AGENT LIMITED  
1701, Tung Wai Commercial Building,  
111 Gloucester Road,  
Hong Kong



[11] 2424237.8M007

[15] 10-10-2024

[30] 12-04-2024 / IT / 402024000001138-256

[51] Cl. 23-01

[54] 液體分配設備的控制面板

Control panel for fluid distribution equipment

[73] GESSI S.P.A.

PARCO GESSI,

FRAZIONE VINTEBBIO,

13037 SERRAVALLE SESIA (VC),

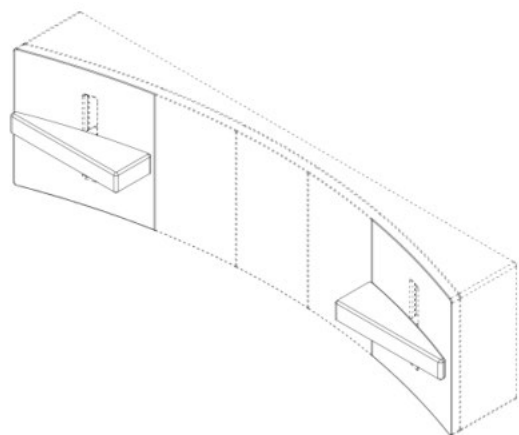
ITALY

[74] WENPING PATENT & TRADE MARK AGENT LIMITED

1701, Tung Wai Commercial Building,

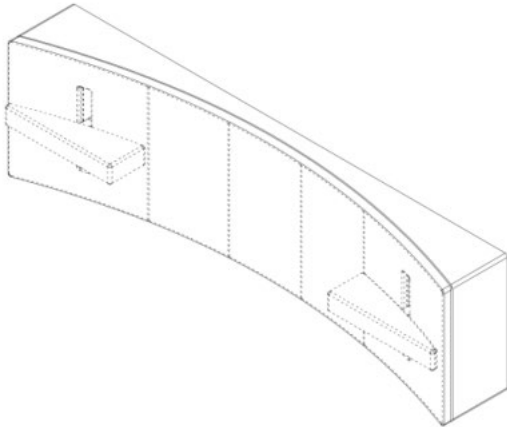
111 Gloucester Road,

Hong Kong



[11] 2424237.8M008

- [15] 10-10-2024
- [30] 12-04-2024 / IT / 402024000001138-267
- [51] Cl. 23-01
- [54] 液體分配設備的控制面板  
Control panel for fluid distribution equipment
- [73] GESSI S.P.A.  
PARCO GESSI,  
FRAZIONE VINTEBBIO,  
13037 SERRAVALLE SESIA (VC),  
ITALY
- [74] WENPING PATENT & TRADE MARK AGENT LIMITED  
1701, Tung Wai Commercial Building,  
111 Gloucester Road,  
Hong Kong



- 
- [11] 2424237.8M009
- [15] 10-10-2024
- [30] 12-04-2024 / IT / 402024000001138-421
- [51] Cl. 23-06
- [54] 手提淋浴  
Hand shower
- [73] GESSI S.P.A.  
PARCO GESSI,  
FRAZIONE VINTEBBIO,  
13037 SERRAVALLE SESIA (VC),  
ITALY
- [74] WENPING PATENT & TRADE MARK AGENT LIMITED  
1701, Tung Wai Commercial Building,  
111 Gloucester Road,  
Hong Kong





---

[11] 2424237.8M010

[15] 10-10-2024

[30] 12-04-2024 / IT / 402024000001138-424

[51] Cl. 23-06

[54] 淋浴頭

Shower head

[73] GESSI S.P.A.

PARCO GESSI,

FRAZIONE VINTEBBIO,

13037 SERRAVALLE SESIA (VC),

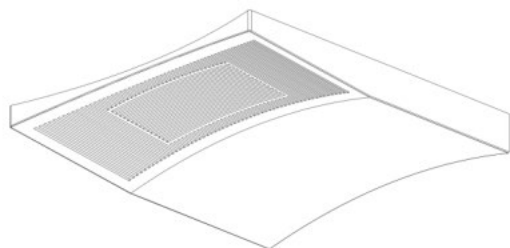
ITALY

[74] WENPING PATENT & TRADE MARK AGENT LIMITED

1701, Tung Wai Commercial Building,

111 Gloucester Road,

Hong Kong



---

[11] 2424237.8M011

[15] 10-10-2024

[30] 12-04-2024 / IT / 402024000001138-431

[51] Cl. 23-06

[54] 淋浴頭

Shower head

[73] GESSI S.P.A.

PARCO GESSI,

FRAZIONE VINTEBBIO,

13037 SERRAVALLE SESIA (VC),

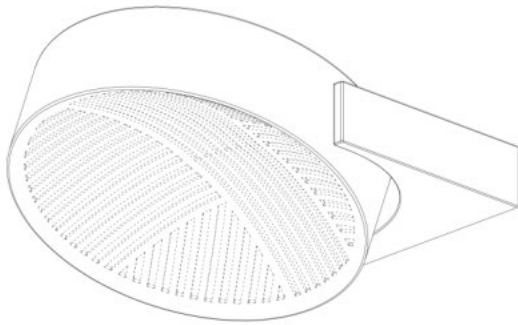
ITALY

[74] WENPING PATENT & TRADE MARK AGENT LIMITED

1701, Tung Wai Commercial Building,

111 Gloucester Road,

Hong Kong



---

[11] 2424237.8M012

[15] 10-10-2024

[30] 12-04-2024 / IT / 402024000001138-457

[51] Cl. 23-01

[54] 液體分配設備的控制面板

Control panel for fluid distribution equipment

[73] GESSI S.P.A.

PARCO GESSI,

FRAZIONE VINTEBBIO,

13037 SERRAVALLE SESIA (VC),

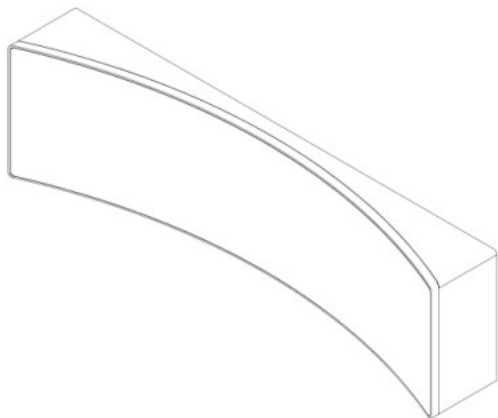
ITALY

[74] WENPING PATENT & TRADE MARK AGENT LIMITED

1701, Tung Wai Commercial Building,

111 Gloucester Road,

Hong Kong



---

[11] 2424237.8M013

[15] 10-10-2024

[51] Cl. 23-06

[54] 淋浴頭

Shower head

[73] GESSI S.P.A.

PARCO GESSI,

FRAZIONE VINTEBBIO,

13037 SERRAVALLE SESIA (VC),

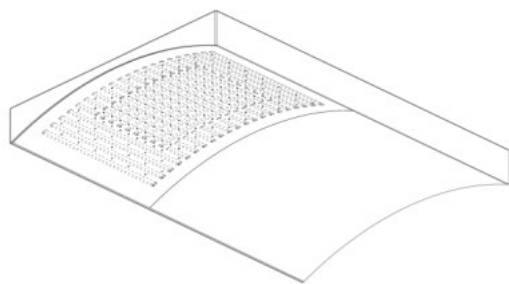
ITALY

[74] WENPING PATENT & TRADE MARK AGENT LIMITED

1701, Tung Wai Commercial Building,

111 Gloucester Road,

Hong Kong



---

[11] 2424239.2M001

[15] 10-10-2024

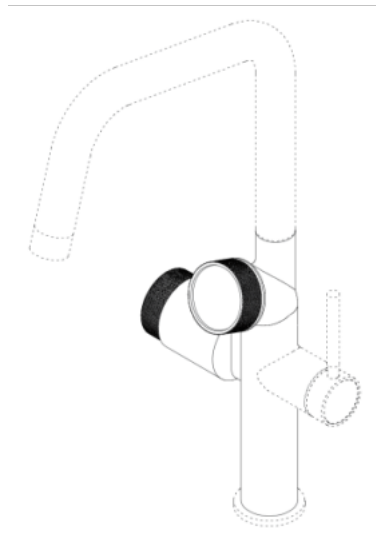
[30] 12-04-2024 / IT / 402024000001132-4

[51] Cl. 23-01

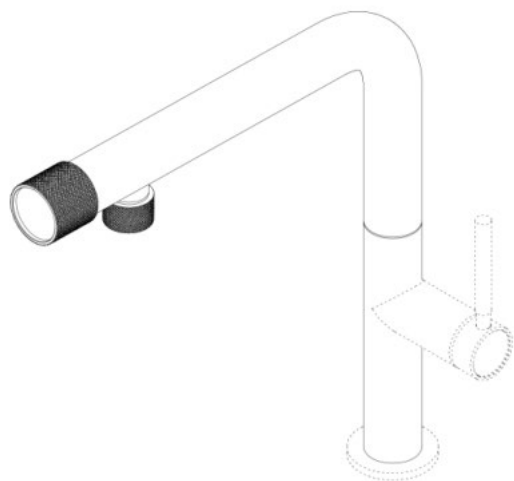
[54] 水龍頭

Faucet

- [73] GESSI S.P.A.  
PARCO GESSI,  
FRAZIONE VINTEBBIO,  
13037 SERRAVALLE SESIA (VC),  
ITALY
- [74] WENPING PATENT & TRADE MARK AGENT LIMITED  
1701, Tung Wai Commercial Building,  
111 Gloucester Road,  
Hong Kong



- 
- [11] 2424239.2M002
- [15] 10-10-2024
- [30] 12-04-2024 / IT / 402024000001132-37
- [51] Cl. 23-01
- [54] 水龍頭  
Faucet
- [73] GESSI S.P.A.  
PARCO GESSI,  
FRAZIONE VINTEBBIO,  
13037 SERRAVALLE SESIA (VC),  
ITALY
- [74] WENPING PATENT & TRADE MARK AGENT LIMITED  
1701, Tung Wai Commercial Building,  
111 Gloucester Road,  
Hong Kong



[11] 2424240.4M001

[15] 10-10-2024

[30] 12-04-2024 / IT / 402024000001186-6

[51] Cl. 23-06

[54] 淋浴頭

Shower head

[73] GESSI S.P.A.

PARCO GESSI,

FRAZIONE VINTEBBIO,

13037 SERRAVALLE SESIA (VC),

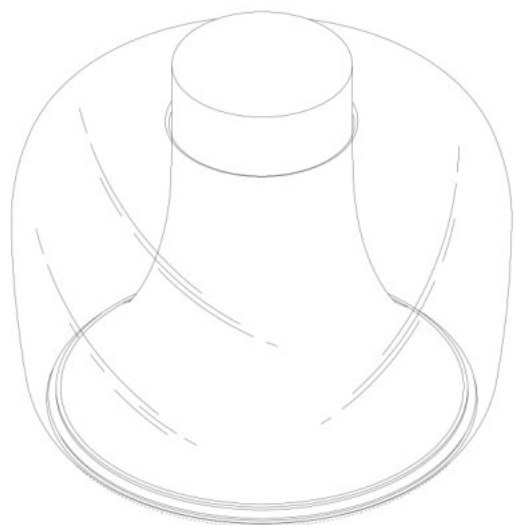
ITALY

[74] WENPING PATENT & TRADE MARK AGENT LIMITED

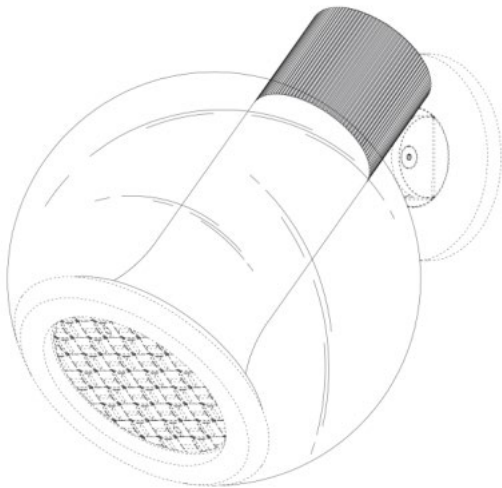
1701, Tung Wai Commercial Building,

111 Gloucester Road,

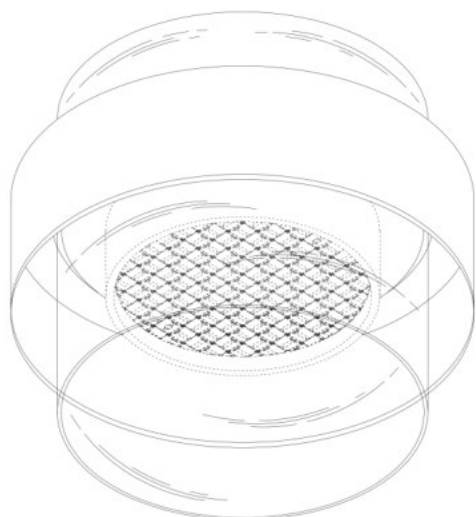
Hong Kong



- [11] 2424240.4M002  
[15] 10-10-2024  
[30] 12-04-2024 / IT / 402024000001186-27  
[51] Cl. 23-06  
[54] 淋浴頭  
Shower head  
[73] GESSI S.P.A.  
PARCO GESSI,  
FRAZIONE VINTEBBIO,  
13037 SERRAVALLE SESIA (VC),  
ITALY  
[74] WENPING PATENT & TRADE MARK AGENT LIMITED  
1701, Tung Wai Commercial Building,  
111 Gloucester Road,  
Hong Kong



- 
- [11] 2424240.4M003  
[15] 10-10-2024  
[30] 12-04-2024 / IT / 402024000001186-63  
[51] Cl. 23-06  
[54] 淋浴頭  
Shower head  
[73] GESSI S.P.A.  
PARCO GESSI,  
FRAZIONE VINTEBBIO,  
13037 SERRAVALLE SESIA (VC),  
ITALY  
[74] WENPING PATENT & TRADE MARK AGENT LIMITED  
1701, Tung Wai Commercial Building,  
111 Gloucester Road,  
Hong Kong



[11] 2424240.4M004

[15] 10-10-2024

[30] 12-04-2024 / IT / 402024000001186-117

[51] Cl. 23-06

[54] 淋浴頭

Shower head

[73] GESSI S.P.A.

PARCO GESSI,

FRAZIONE VINTEBBIO,

13037 SERRAVALLE SESIA (VC),

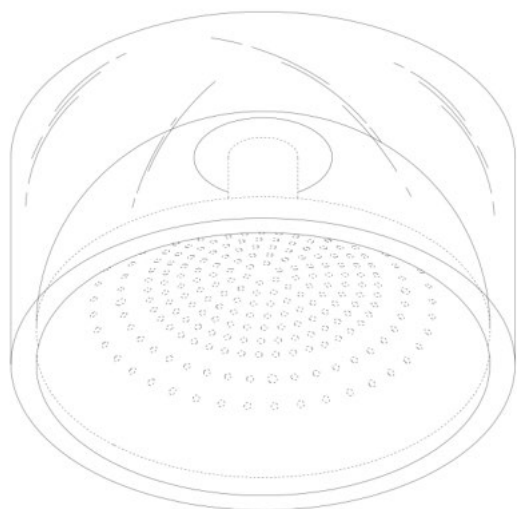
ITALY

[74] WENPING PATENT & TRADE MARK AGENT LIMITED

1701, Tung Wai Commercial Building,

111 Gloucester Road,

Hong Kong

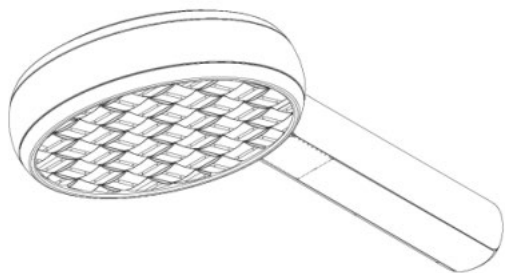


- [11] 2424240.4M005  
[15] 10-10-2024  
[30] 12-04-2024 / IT / 402024000001186-156  
[51] Cl. 23-06  
[54] 淋浴頭  
Shower head  
[73] GESSI S.P.A.  
PARCO GESSI,  
FRAZIONE VINTEBBIO,  
13037 SERRAVALLE SESIA (VC),  
ITALY  
[74] WENPING PATENT & TRADE MARK AGENT LIMITED  
1701, Tung Wai Commercial Building,  
111 Gloucester Road,  
Hong Kong



- 
- [11] 2424240.4M006  
[15] 10-10-2024  
[30] 12-04-2024 / IT / 402024000001186-226  
[51] Cl. 23-06  
[54] 手提淋浴  
Hand shower  
[73] GESSI S.P.A.  
PARCO GESSI,  
FRAZIONE VINTEBBIO,  
13037 SERRAVALLE SESIA (VC),  
ITALY  
[74] WENPING PATENT & TRADE MARK AGENT LIMITED  
1701, Tung Wai Commercial Building,  
111 Gloucester Road,  
Hong Kong





---

[11] 2424241.6M001

[15] 10-10-2024

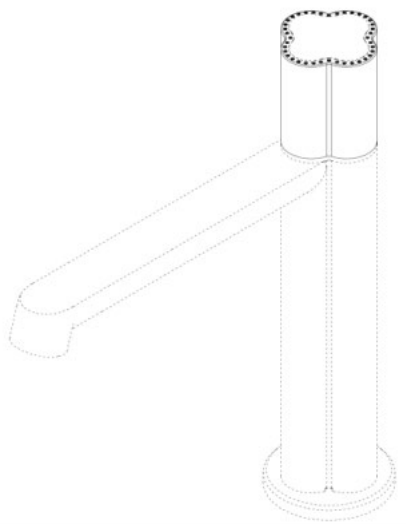
[30] 12-04-2024 / IT / 402024000001165-7

[51] Cl. 23-01

[54] 水龍頭  
Faucet

[73] GESSI S.P.A.  
PARCO GESSI,  
FRAZIONE VINTEBBIO,  
13037 SERRAVALLE SESIA (VC),  
ITALY

[74] WENPING PATENT & TRADE MARK AGENT LIMITED  
1701, Tung Wai Commercial Building,  
111 Gloucester Road,  
Hong Kong



---

[11] 2424241.6M002

[15] 10-10-2024

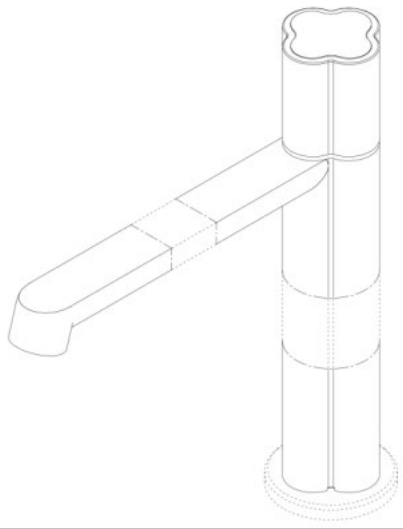
[30] 12-04-2024 / IT / 402024000001165-10

[51] Cl. 23-01

[54] 水龍頭  
Faucet

[73] GESSI S.P.A.  
PARCO GESSI,  
FRAZIONE VINTEBBIO,  
13037 SERRAVALLE SESIA (VC),  
ITALY

[74] WENPING PATENT & TRADE MARK AGENT LIMITED  
1701, Tung Wai Commercial Building,  
111 Gloucester Road,  
Hong Kong



---

[11] 2424241.6M003

[15] 10-10-2024

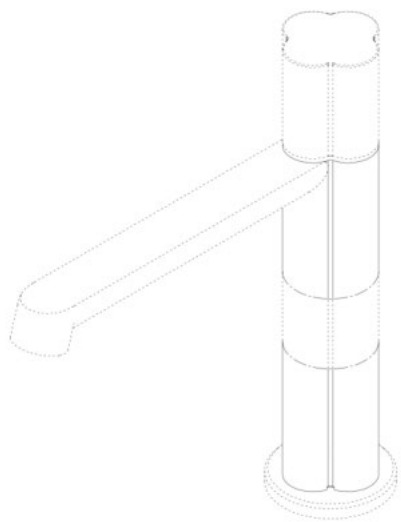
[30] 12-04-2024 / IT / 402024000001165-22

[51] Cl. 23-01

[54] 水龍頭  
Faucet

[73] GESSI S.P.A.  
PARCO GESSI,  
FRAZIONE VINTEBBIO,  
13037 SERRAVALLE SESIA (VC),  
ITALY

[74] WENPING PATENT & TRADE MARK AGENT LIMITED  
1701, Tung Wai Commercial Building,  
111 Gloucester Road,  
Hong Kong



[11] 2424241.6M004

[15] 10-10-2024

[30] 12-04-2024 / IT / 402024000001165-71

[51] Cl. 23-01

[54] 水龍頭手柄

Faucet handle

[73] GESSI S.P.A.

PARCO GESSI,

FRAZIONE VINTEBBIO,

13037 SERRAVALLE SESIA (VC),

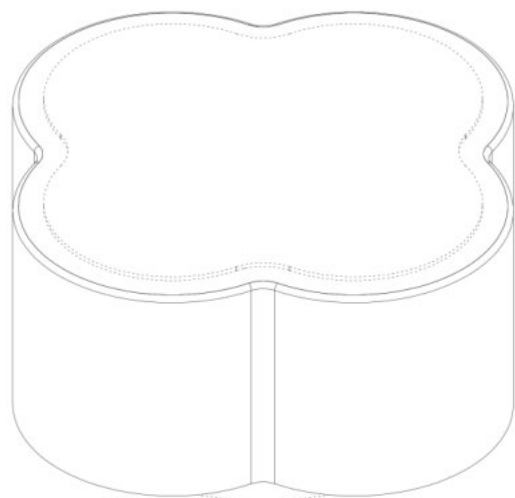
ITALY

[74] WENPING PATENT & TRADE MARK AGENT LIMITED

1701, Tung Wai Commercial Building,

111 Gloucester Road,

Hong Kong



[11] 2424241.6M005

[15] 10-10-2024

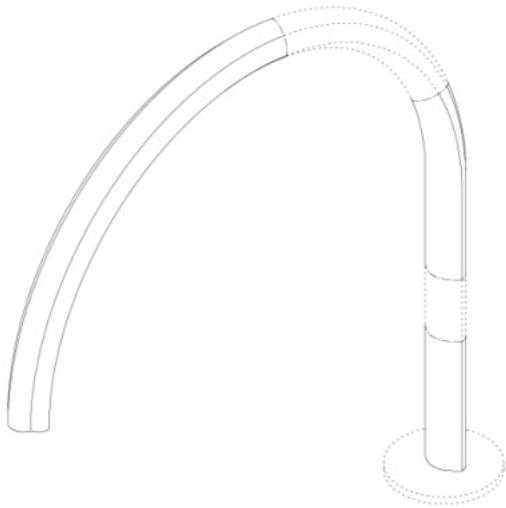
[30] 12-04-2024 / IT / 402024000001165-104

[51] Cl. 23-01

[54] 水龍頭  
Faucet

[73] GESSI S.P.A.  
PARCO GESSI,  
FRAZIONE VINTEBBIO,  
13037 SERRAVALLE SESIA (VC),  
ITALY

[74] WENPING PATENT & TRADE MARK AGENT LIMITED  
1701, Tung Wai Commercial Building,  
111 Gloucester Road,  
Hong Kong



---

[11] 2424241.6M006

[15] 10-10-2024

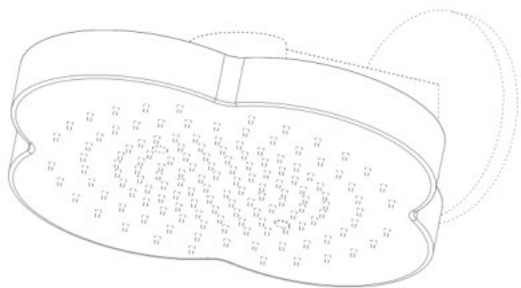
[30] 12-04-2024 / IT / 402024000001165-167

[51] Cl. 23-06

[54] 淋浴頭  
Shower head

[73] GESSI S.P.A.  
PARCO GESSI,  
FRAZIONE VINTEBBIO,  
13037 SERRAVALLE SESIA (VC),  
ITALY

[74] WENPING PATENT & TRADE MARK AGENT LIMITED  
1701, Tung Wai Commercial Building,  
111 Gloucester Road,  
Hong Kong



---

[11] 2424241.6M007

[15] 10-10-2024

[30] 12-04-2024 / IT / 402024000001165-172

[51] Cl. 23-06

[54] 淋浴頭

Shower head

[73] GESSI S.P.A.

PARCO GESSI,

FRAZIONE VINTEBBIO,

13037 SERRAVALLE SESIA (VC),

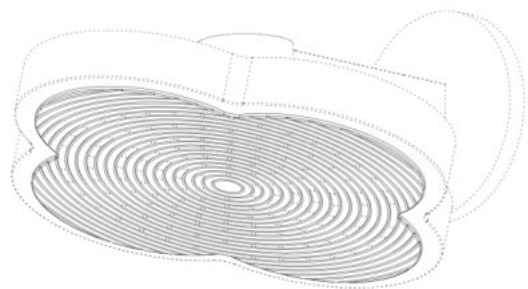
ITALY

[74] WENPING PATENT & TRADE MARK AGENT LIMITED

1701, Tung Wai Commercial Building,

111 Gloucester Road,

Hong Kong



---

[11] 2424241.6M008

[15] 10-10-2024

[30] 12-04-2024 / IT / 402024000001165-192

[51] Cl. 23-01

[54] 水龍頭

Faucet

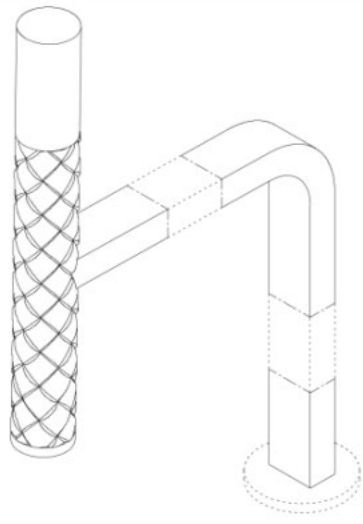
[73] GESSI S.P.A.

PARCO GESSI,

FRAZIONE VINTEBBIO,

13037 SERRAVALLE SESIA (VC),  
ITALY

[74] WENPING PATENT & TRADE MARK AGENT LIMITED  
1701, Tung Wai Commercial Building,  
111 Gloucester Road,  
Hong Kong



[11] 2424241.6M009

[15] 10-10-2024

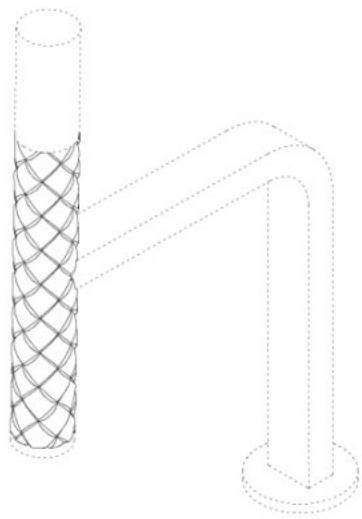
[30] 12-04-2024 / IT / 402024000001165-194

[51] C1. 23-01

[54] 水龍頭  
Faucet

[73] GESSI S.P.A.  
PARCO GESSI,  
FRAZIONE VINTEBBIO,  
13037 SERRAVALLE SESIA (VC),  
ITALY

[74] WENPING PATENT & TRADE MARK AGENT LIMITED  
1701, Tung Wai Commercial Building,  
111 Gloucester Road,  
Hong Kong



---

[11] 2424241.6M010

[15] 10-10-2024

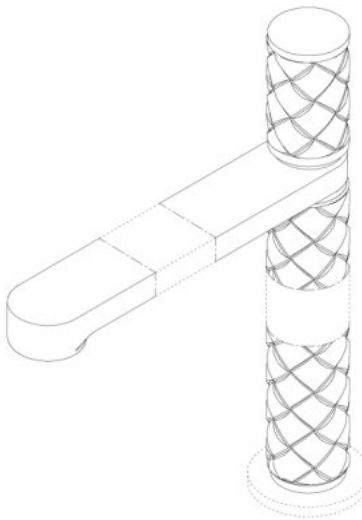
[30] 12-04-2024 / IT / 402024000001165-217

[51] Cl. 23-01

[54] 水龍頭  
Faucet

[73] GESSI S.P.A.  
PARCO GESSI,  
FRAZIONE VINTEBBIO,  
13037 SERRAVALLE SESIA (VC),  
ITALY

[74] WENPING PATENT & TRADE MARK AGENT LIMITED  
1701, Tung Wai Commercial Building,  
111 Gloucester Road,  
Hong Kong



[11] 2424241.6M011

[15] 10-10-2024

[30] 12-04-2024 / IT / 402024000001165-220

[51] Cl. 23-01

[54] 水龍頭手柄

Faucet handle

[73] GESSI S.P.A.

PARCO GESSI,

FRAZIONE VINTEBBIO,

13037 SERRAVALLE SESIA (VC),

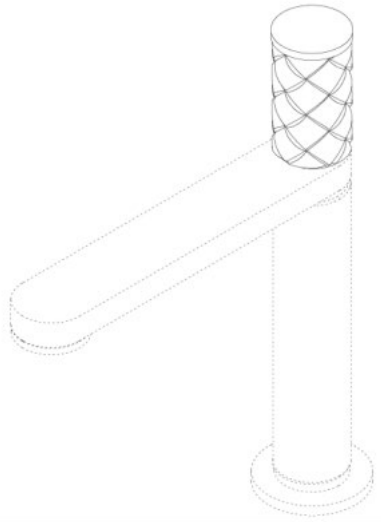
ITALY

[74] WENPING PATENT & TRADE MARK AGENT LIMITED

1701, Tung Wai Commercial Building,

111 Gloucester Road,

Hong Kong



[11] 2424241.6M012

[15] 10-10-2024

[30] 12-04-2024 / IT / 402024000001165-228

[51] Cl. 23-01

[54] 水龍頭

Faucet

[73] GESSI S.P.A.

PARCO GESSI,

FRAZIONE VINTEBBIO,

13037 SERRAVALLE SESIA (VC),

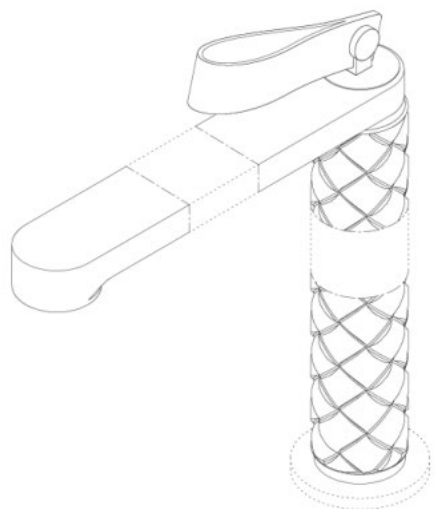
ITALY

[74] WENPING PATENT & TRADE MARK AGENT LIMITED

1701, Tung Wai Commercial Building,



111 Gloucester Road,  
Hong Kong



[11] 2424241.6M013

[15] 10-10-2024

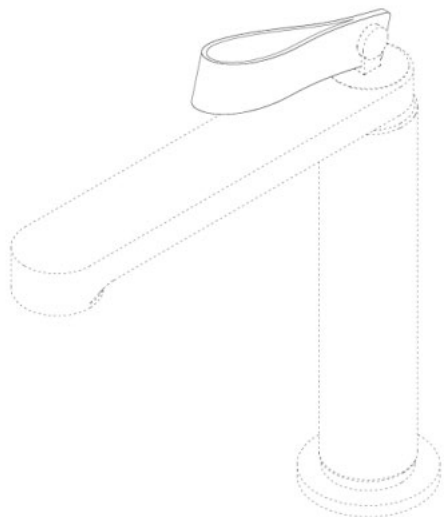
[30] 12-04-2024 / IT / 402024000001165-232

[51] Cl. 23-01

[54] 水龍頭手柄  
Faucet handle

[73] GESSI S.P.A.  
PARCO GESSI,  
FRAZIONE VINTEBBIO,  
13037 SERRAVALLE SESIA (VC),  
ITALY

[74] WENPING PATENT & TRADE MARK AGENT LIMITED  
1701, Tung Wai Commercial Building,  
111 Gloucester Road,  
Hong Kong



---

[11] 2424241.6M014

[15] 10-10-2024

[30] 12-04-2024 / IT / 402024000001165-244

[51] Cl. 23-01

[54] 水龍頭手柄

Faucet handle

[73] GESSI S.P.A.

PARCO GESSI,

FRAZIONE VINTEBBIO,

13037 SERRAVALLE SESIA (VC),

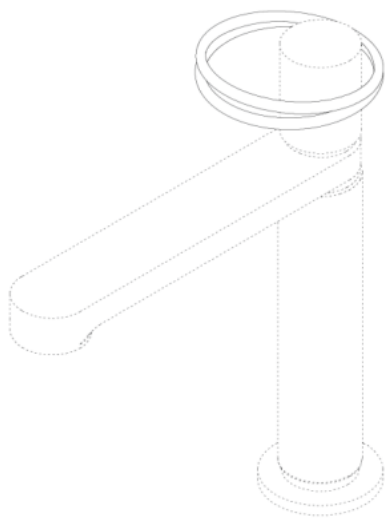
ITALY

[74] WENPING PATENT & TRADE MARK AGENT LIMITED

1701, Tung Wai Commercial Building,

111 Gloucester Road,

Hong Kong



[11] 2424250.5

[15] 10-10-2024

[51] Cl. 21-01

[54] 玩偶  
Doll

[73] 偶邏輯有限公司  
中國  
香港灣仔  
軒尼詩道 245-251 號守時商業大廈 11 樓 A1 室

[74] 龍圖騰(香港)有限公司  
香港  
新界上水龍琛路 39 號  
上水廣場 21 樓 2113 室 RM 869



---

[11] 2424251.7

[15] 10-10-2024

[51] Cl. 21-01

[54] 玩偶  
Doll

[73] 偶邏輯有限公司  
中國  
香港灣仔  
軒尼詩道 245-251 號守時商業大廈 11 樓 A1 室

[74] 龍圖騰(香港)有限公司  
香港  
新界上水龍琛路 39 號  
上水廣場 21 樓 2113 室 RM 869



---

[11] 2424252.9

[15] 10-10-2024

[51] Cl. 21-01

[54] 玩偶  
Doll

[73] 偶邏輯有限公司  
中國  
香港灣仔  
軒尼詩道 245-251 號守時商業大廈 11 樓 A1 室

[74] 龍圖騰(香港)有限公司  
香港  
新界上水龍琛路 39 號  
上水廣場 21 樓 2113 室 RM 869



- [11] 2424253.1  
[15] 10-10-2024  
[51] Cl. 21-01  
[54] 玩偶  
Doll  
[73] 偶邏輯有限公司  
中國  
香港灣仔  
軒尼詩道 245-251 號守時商業大廈 11 樓 A1 室  
[74] 龍圖騰(香港)有限公司  
香港  
新界上水龍琛路 39 號  
上水廣場 21 樓 2113 室 RM 869



- 
- [11] 2424255.6  
[15] 10-10-2024  
[30] 30-05-2024 / IT / 402024000001795-3  
[51] Cl. 23-01  
Cl. 23-06  
[54] 衛生器具和設備的表面圖案  
Surface pattern for sanitary appliance and equipment  
[73] GESSI S.P.A.  
PARCO GESSI,  
FRAZIONE VINTEBBIO,  
13037 SERRAVALLE SESIA (VC),  
ITALY  
[74] WENPING PATENT & TRADE MARK AGENT LIMITED  
1701, Tung Wai Commercial Building,  
111 Gloucester Road,  
Hong Kong



[11] 2424256.8M001

[15] 10-10-2024

[30] 12-04-2024 / IT / 402024000001183-170

[51] Cl. 23-01

Cl. 23-06

[54] 衛生器具和設備的表面圖案

Surface pattern for sanitary appliance and equipment

[73] GESSI S.P.A.

PARCO GESSI,

FRAZIONE VINTEBBIO,

13037 SERRAVALLE SESIA (VC),

ITALY

[74] WENPING PATENT & TRADE MARK AGENT LIMITED

1701, Tung Wai Commercial Building,

111 Gloucester Road,

Hong Kong



- [11] 2424256.8M002
- [15] 10-10-2024
- [30] 12-04-2024 / IT / 402024000001183-178
- [51] Cl. 23-01  
Cl. 23-06
- [54] 衛生器具和設備的表面圖案  
Surface pattern for sanitary appliance and equipment
- [73] GESSI S.P.A.  
PARCO GESSI,  
FRAZIONE VINTEBBIO,  
13037 SERRAVALLE SESIA (VC),  
ITALY
- [74] WENPING PATENT & TRADE MARK AGENT LIMITED  
1701, Tung Wai Commercial Building,  
111 Gloucester Road,  
Hong Kong



- 
- [11] 2424279.6
- [15] 14-10-2024
- [30] 29-04-2024 / KR / 30-2024-0016698
- [51] Cl. 9-05
- [54] 雪糕包裝紙  
Wrapping paper for ice cream
- [73] Binggrae Co., Ltd.  
45, Dasansunhwan-ro,  
Namyangju-si, Gyeonggi-do,  
REPUBLIC OF KOREA
- [74] NTD PATENT & TRADE MARK AGENCY LIMITED  
Units 1805-6, 18/F., Greenfield Tower,

Concordia Plaza, No. 1 Science Museum Road,  
Tsimshatsui East, Kowloon,  
Hong Kong



[11] 2424280.8

[15] 14-10-2024

[51] C1. 21-01

[54] 玩偶  
Doll

[73] 偶邏輯有限公司  
中國  
香港灣仔  
軒尼詩道 245-251 號守時商業大廈 11 樓 A1 室

[74] 龍圖騰(香港)有限公司  
香港  
新界上水龍琛路 39 號  
上水廣場 21 樓 2113 室 RM 869



[11] 2424281.0M001



- [15] 14-10-2024
- [30] 15-04-2024 / IT / 402024000001225
- [51] Cl. 6-03
- [54] 傢俱  
Furniture
- [73] UNIFOR S.P.A.  
Via Isonzo, 1,  
I-22078 Turate (CO),  
ITALY
- [74] BIRD & BIRD  
6/F, The Annex, Central Plaza,  
18 Harbour Road,  
Hong Kong



- 
- [11] 2424281.0M002
- [15] 14-10-2024
- [30] 15-04-2024 / IT / 402024000001225
- [51] Cl. 6-03
- [54] 傢俱  
Furniture
- [73] UNIFOR S.P.A.  
Via Isonzo, 1,  
I-22078 Turate (CO),  
ITALY
- [74] BIRD & BIRD  
6/F, The Annex, Central Plaza,  
18 Harbour Road,  
Hong Kong



---

[11] 2424284.6

[15] 15-10-2024

[30] 12-07-2024 / CN / 2024304375222

[51] Cl. 15-99

[54] 送貨機器人

Delivery robot

[73] 博歌科技有限公司

ROBOCORE TECHNOLOGY LIMITED

香港

香港科学园科技大道西 19 号

211 室

广东睿进智能科技有限公司

GuangDong Rhizo Technologies Co., Ltd.

中國

广东省广州市黄埔区尖塔山路 5 号

517 室

[74] 旻貝國際知識產權代理有限公司

香港

新界白石角香港科學園

第三期科技大道西 12 號 2 樓 230 室



[11] 2424285.9

[15] 15-10-2024

[30] 15-04-2024 / EU / 015057637-0001

[51] Cl. 23-06

[54] 臉盆

Washbasin

[73] ALAPE GmbH

Am Gräbicht 1-9,

38644 Goslar,

GERMANY

[74] WILKINSON & GRIST

11/F, Great Eagle Centre,

23 Harbour Road,

Hong Kong



---

[11] 2424286.1M001

[15] 15-10-2024

[30] 15-04-2024 / EU / 015057582-0001

[51] Cl. 23-06

[54] 臉盆

Washbasin

[73] ALAPE GmbH

Am Gräbicht 1-9,

38644 Goslar,

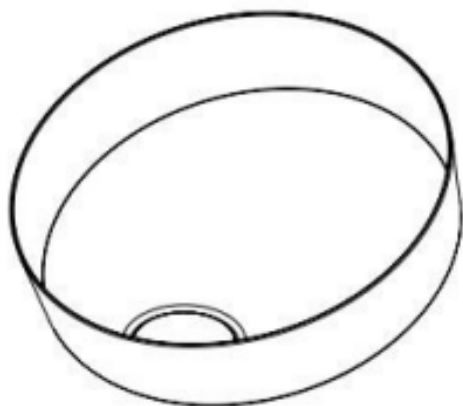
GERMANY

[74] WILKINSON & GRIST

11/F, Great Eagle Centre,

23 Harbour Road,

Hong Kong



---

[11] 2424286.1M002

[15] 15-10-2024

[30] 15-04-2024 / EU / 015057582-0003

[51] Cl. 23-06

[54] 臉盆

Washbasin

[73] ALAPE GmbH

Am Gräbicht 1-9,

38644 Goslar,

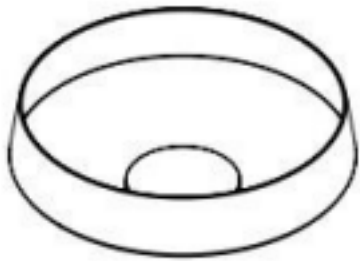
GERMANY

[74] WILKINSON & GRIST

11/F, Great Eagle Centre,

23 Harbour Road,

Hong Kong



---

[11] 2424290.9

[15] 15-10-2024

[51] Cl. 21-01

[54] 玩具

Toy

[73] DreamBear Workshop Limited  
Rooms 1914-15, Gala Place,  
56 Dundas Street, Kowloon,  
HONG KONG

[74] ZHONG LUN LAW FIRM LLP  
4/F., Jardine House,  
1 Connaught Place, Central,  
Hong Kong



---

[11] 2424297.4

[15] 16-10-2024

[51] Cl. 6-11

[54] 用於地毯的圖案

Pattern for carpets

[73] 香港立體汽車地毯有限公司

E Carpet Limited

香港

九龍旺角洗衣街 39 號

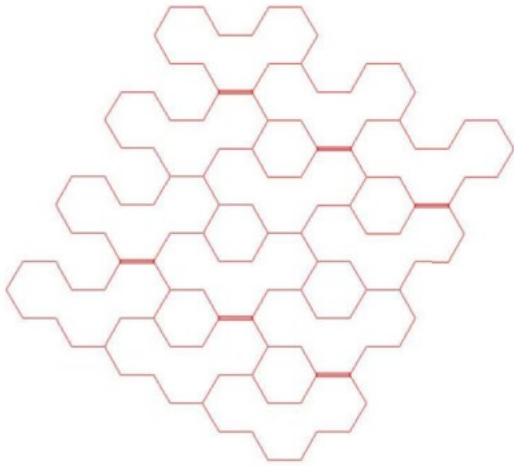
金雞廣場停車場 B3

[74] 卓遠知識產權有限公司

香港上環

皇后大道中 181 號

新紀元廣場低座 24 樓 2406B 室



---

[11] 2424308.9

[15] 18-10-2024

[51] Cl. 11-02

[54] 裝飾物

Ornament

[73] 老鋪黃金(香港)有限公司

LAO PU (HONG KONG) COMPANY LIMITED

Room 801-2, 8/F, Easey Commercial Building,

253-261 Hennessy Road, Wanchai,

HONG KONG

[74] CHARLES RUSSELL SPEECHLYS LLP

SUITE 3418, LEVEL 34, TWO PACIFIC PLACE,

88 QUEENSWAY,

HONG KONG



---

[11] 2424355.8

[15] 18-10-2024

[30] 22-04-2024 / EU / 015058291-0001

[51] Cl. 15-05

[54] 真空吸塵器的噴嘴

Nozzle for vacuum cleaner

[73] VERSUNI HOLDING B.V.

CLAUDE DEBUSSYLAAN 88,

1082MD AMSTERDAM,

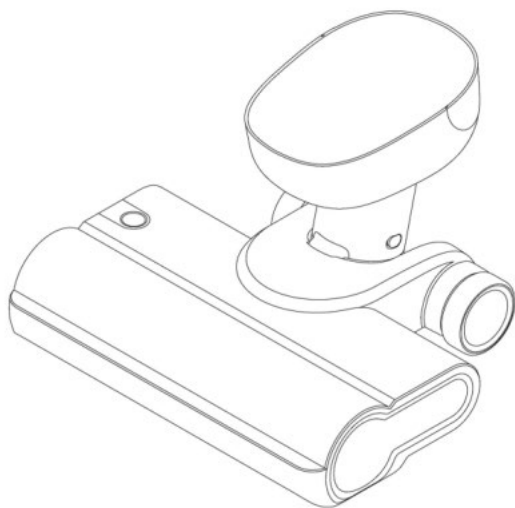
NETHERLANDS

[74] CHANG TSI AND PARTNERS INTELLECTUAL PROPERTY (HK) LIMITED

Level 20, One International Finance Centre,

No. 1 Harbour View Street, Central,

HONG KONG



---

[11] 2424356.0

[15] 21-10-2024

[51] Cl. 7-05

[54] 摺痕熨燙掛燙抖  
Crease ironing clothes steamer

[73] 城鋒科技有限公司  
HOTRONIC LIMITED  
Rm 5A, 1/F, Tung Lee Ind. Bldg., No 9 Lai Yip Street,  
No 9 Lai Yip St., Kwun Tong, Kowloon,  
HONG KONG

[74] HOTRONIC LIMITED  
Rm 5A, 1/F, Tung Lee Ind. Bldg.,  
No 9 Lai Yip St., Kwun Tong, Kowloon,  
Hong Kong



---

[11] 2424360.8

[15] 21-10-2024

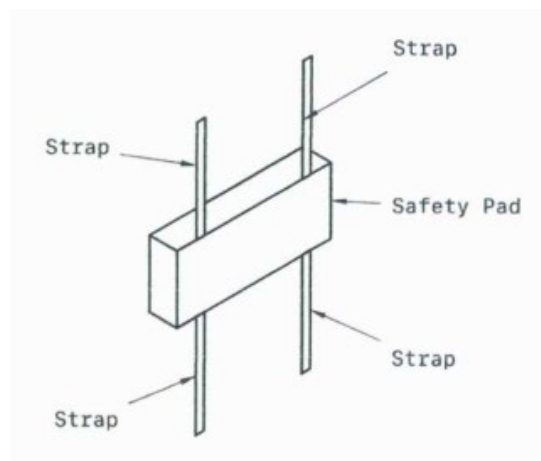
[51] Cl. 29-02

[54] 安全墊  
Cushion safety pad

[73] FARS GLOBAL LIMITED  
UNIT D5, 23/F, TML TOWER,  
3 Hoi Shing Road, Tsuen Wan, N.T.  
HONG KONG

[74] Ng, Kevin Ka-Ing  
Unit D5, 23/F, TML TOWER,  
3 Hoi Shing Road, Tsuen Wan, New Territories,  
Hong Kong





---

[11] 2424399.0

[15] 21-10-2024

[51] Cl. 3-01

[54] 卡片錢包

Card wallet

[73] Hamee Global Inc.

3F, Gasan A1Tower, 205-27, Gasan digital 1-ro, Geumcheon-gu,  
Seoul,

REPUBLIC OF KOREA

[74] NTD PATENT & TRADE MARK AGENCY LIMITED

Units 1805-6, 18/F., Greenfield Tower,  
Concordia Plaza, No. 1 Science Museum Road,  
Tsimshatsui East, Kowloon,

Hong Kong



---

[11] 2424402.8

[15] 22-10-2024

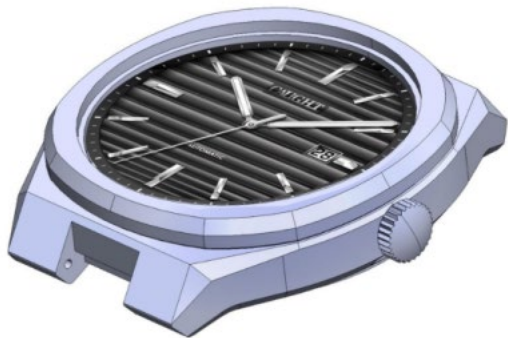
[51] Cl. 10-07

[54] 錶頭

Watch head

[73] 嘉泰鐘錶有限公司  
Heromex Watch Company Limited  
香港  
新界葵芳葵喜街 26-32 號  
金發工業大廈 1 期 22 樓 C 室

[74] HONG KONG DECENT INTELLECTUAL PROPERTY AGENT LIMITED  
香港  
文咸東街 78 號  
華東商業大廈三樓



---

[11] 2424403.0

[15] 22-10-2024

[51] Cl. 10-07

[54] 錶頭  
Watch head

[73] 嘉泰鐘錶有限公司  
Heromex Watch Company Limited  
香港  
新界葵芳葵喜街 26-32 號  
金發工業大廈 1 期 22 樓 C 室

[74] HONG KONG DECENT INTELLECTUAL PROPERTY AGENT LIMITED  
香港  
文咸東街 78 號  
華東商業大廈三樓



- [11] 2424408.1  
[15] 22-10-2024  
[30] 24-04-2024 / EU / 015058592-0001  
[51] Cl. 12-08  
[54] 汽車  
Vehicle  
[73] 蘭博基尼汽車股份有限公司  
AUTOMOBILI LAMBORGHINI S.P.A.  
VIA MODENA 12 40019,  
SANT'AGATA BOLOGNESE (BO),  
ITALY  
[74] SHANGHAI INTELLECTUAL PROPERTY OFFICE  
Unit F, 20th Floor, Neich Tower,  
128 Gloucester Road,  
Hong Kong



- 
- [11] 2424409.3  
[15] 22-10-2024  
[30] 24-04-2024 / EU / 015058592-0001  
[51] Cl. 21-01  
[54] 汽車模型  
Scale model vehicle  
[73] 蘭博基尼汽車股份有限公司  
AUTOMOBILI LAMBORGHINI S.P.A.  
VIA MODENA 12 40019,  
SANT'AGATA BOLOGNESE (BO),  
ITALY  
[74] SHANGHAI INTELLECTUAL PROPERTY OFFICE  
Unit F, 20th Floor, Neich Tower,  
128 Gloucester Road,  
Hong Kong



---

[11] 2424445.9M001

[15] 31-10-2024

[51] Cl. 11-01

[54] 飾物設計

Ornament design

[73] 六福集團有限公司

Luk Fook Holdings Company Limited

15th, 20th, 25th & 27th Floor, Metropole Square,

No.2 On Yiu Street, Shatin, New Territories,

HONG KONG

[74] Luk Fook Holdings Company Limited (Legal Affairs Department)

Floor 15, Metropole Square,

No.2 On Yiu Street, Shatin,

Hong Kong



---

[11] 2424445.9M002

[15] 31-10-2024

[51] Cl. 11-02

[54] 裝飾品

Ornament

[73] 六福集團有限公司

Luk Fook Holdings Company Limited

15th, 20th, 25th & 27th Floor, Metropole Square,

No.2 On Yiu Street, Shatin, New Territories,

HONG KONG

[74] Luk Fook Holdings Company Limited (Legal Affairs Department)

Floor 15, Metropole Square,

No.2 On Yiu Street, Shatin,

Hong Kong



---

[11] 2424445.9M003

[15] 31-10-2024

[51] Cl. 11-02

[54] 裝飾品

Ornament

[73] 六福集團有限公司

Luk Fook Holdings Company Limited

15th, 20th, 25th & 27th Floor, Metropole Square,

No.2 On Yiu Street, Shatin, New Territories,

HONG KONG

[74] Luk Fook Holdings Company Limited (Legal Affairs Department)

Floor 15, Metropole Square,

No.2 On Yiu Street, Shatin,

Hong Kong



[11] 2424445.9M004

[15] 31-10-2024

[51] Cl. 11-02

[54] 裝飾品

Ornament

[73] 六福集團有限公司

Luk Fook Holdings Company Limited

15th, 20th, 25th & 27th Floor, Metropole Square,

No.2 On Yiu Street, Shatin, New Territories,

HONG KONG

[74] Luk Fook Holdings Company Limited (Legal Affairs Department)

Floor 15, Metropole Square,

No.2 On Yiu Street, Shatin,

Hong Kong



[11] 2424445.9M005

[15] 31-10-2024

[51] Cl. 11-02

[54] 裝飾品

Ornament

[73] 六福集團有限公司

Luk Fook Holdings Company Limited

15th, 20th, 25th & 27th Floor, Metropole Square,

No.2 On Yiu Street, Shatin, New Territories,

HONG KONG

[74] Luk Fook Holdings Company Limited (Legal Affairs Department)

Floor 15, Metropole Square,

No.2 On Yiu Street, Shatin,

Hong Kong



---

[11] 2424445.9M006

[15] 31-10-2024

[51] Cl. 11-02

[54] 裝飾品

Ornament

[73] 六福集團有限公司

Luk Fook Holdings Company Limited

15th, 20th, 25th & 27th Floor, Metropole Square,

No.2 On Yiu Street, Shatin, New Territories,

HONG KONG

[74] Luk Fook Holdings Company Limited (Legal Affairs Department)

Floor 15, Metropole Square,

No.2 On Yiu Street, Shatin,

Hong Kong



---

[11] 2424445.9M007

[15] 31-10-2024

[51] Cl. 11-02

[54] 裝飾品

Ornament

[73] 六福集團有限公司

Luk Fook Holdings Company Limited

15th, 20th, 25th & 27th Floor, Metropole Square,

No.2 On Yiu Street, Shatin, New Territories,

HONG KONG

[74] Luk Fook Holdings Company Limited (Legal Affairs Department)

Floor 15, Metropole Square,

No.2 On Yiu Street, Shatin,

Hong Kong





[11] 2424445.9M008

[15] 31-10-2024

[51] Cl. 11-02

[54] 裝飾品

Ornament

[73] 六福集團有限公司

Luk Fook Holdings Company Limited

15th, 20th, 25th & 27th Floor, Metropole Square,

No.2 On Yiu Street, Shatin, New Territories,

HONG KONG

[74] Luk Fook Holdings Company Limited (Legal Affairs Department)

Floor 15, Metropole Square,

No.2 On Yiu Street, Shatin,

Hong Kong



---

[11] 2424445.9M009

[15] 31-10-2024

[51] Cl. 11-02

[54] 裝飾品

Ornament

[73] 六福集團有限公司

Luk Fook Holdings Company Limited

15th, 20th, 25th & 27th Floor, Metropole Square,

No.2 On Yiu Street, Shatin, New Territories,

HONG KONG

[74] Luk Fook Holdings Company Limited (Legal Affairs Department)

Floor 15, Metropole Square,

No.2 On Yiu Street, Shatin,

Hong Kong



[11] 2424445.9M010

[15] 31-10-2024

[51] Cl. 11-02

[54] 裝飾品

Ornament

[73] 六福集團有限公司

Luk Fook Holdings Company Limited

15th, 20th, 25th & 27th Floor, Metropole Square,

No.2 On Yiu Street, Shatin, New Territories,

HONG KONG

[74] Luk Fook Holdings Company Limited (Legal Affairs Department)

Floor 15, Metropole Square,

No.2 On Yiu Street, Shatin,

Hong Kong



[11] 2424445.9M011

[15] 31-10-2024

[51] Cl. 11-02

[54] 裝飾品

Ornament

[73] 六福集團有限公司

Luk Fook Holdings Company Limited

15th, 20th, 25th & 27th Floor, Metropole Square,

No.2 On Yiu Street, Shatin, New Territories,  
HONG KONG

- [74] Luk Fook Holdings Company Limited (Legal Affairs Department)  
Floor 15, Metropole Square,  
No.2 On Yiu Street, Shatin,  
Hong Kong



---

[11] 2424445.9M012

[15] 31-10-2024

[51] Cl. 11-02

[54] 裝飾品  
Ornament

[73] 六福集團有限公司

Luk Fook Holdings Company Limited  
15th, 20th, 25th & 27th Floor, Metropole Square,  
No.2 On Yiu Street, Shatin, New Territories,  
HONG KONG

- [74] Luk Fook Holdings Company Limited (Legal Affairs Department)  
Floor 15, Metropole Square,  
No.2 On Yiu Street, Shatin,  
Hong Kong



---

[11] 2424445.9M013

[15] 31-10-2024

[51] Cl. 11-02

[54] 裝飾品

Ornament

[73] 六福集團有限公司

Luk Fook Holdings Company Limited

15th, 20th, 25th & 27th Floor, Metropole Square,

No.2 On Yiu Street, Shatin, New Territories,

HONG KONG

[74] Luk Fook Holdings Company Limited (Legal Affairs Department)

Floor 15, Metropole Square,

No.2 On Yiu Street, Shatin,

Hong Kong



---

[11] 2424445.9M014

[15] 31-10-2024

[51] Cl. 11-02

[54] 裝飾品

Ornament

[73] 六福集團有限公司

Luk Fook Holdings Company Limited

15th, 20th, 25th & 27th Floor, Metropole Square,

No.2 On Yiu Street, Shatin, New Territories,

HONG KONG

[74] Luk Fook Holdings Company Limited (Legal Affairs Department)

Floor 15, Metropole Square,

No.2 On Yiu Street, Shatin,

Hong Kong



[11] 2424445.9M015

[15] 31-10-2024

[51] Cl. 11-02

[54] 裝飾品

Ornament

[73] 六福集團有限公司

Luk Fook Holdings Company Limited

15th, 20th, 25th & 27th Floor, Metropole Square,

No.2 On Yiu Street, Shatin, New Territories,

HONG KONG

[74] Luk Fook Holdings Company Limited (Legal Affairs Department)

Floor 15, Metropole Square,

No.2 On Yiu Street, Shatin,

Hong Kong



[11] 2424451.1

[15] 01-11-2024

[51] Cl. 11-04

[54] 人造礁

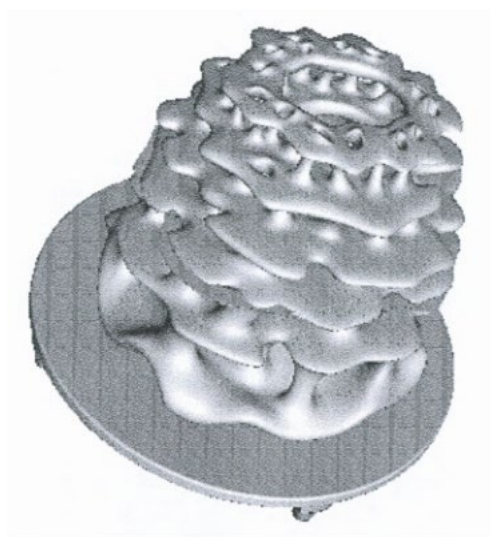
Artificial reef

[73] D-Shape Limited

Unit 721, 7/F, Building 19W,  
No.19 Science Park West Avenue,  
Pak Shek Kok, N.T.,  
HONG KONG

[74] D-Shape Limited

Unit 721, 7/F, Building 19W,  
No.19 Science Park West Avenue,  
Pak Shek Kok, New Territories,  
Hong Kong



---

[11] 2424452.3

[15] 02-11-2024

[51] Cl. 21-01

[54] 玩具發射器

Toy catapult

[73] 陳家杰

CHAN Ka Kit

香港

粉嶺蔚翠花園

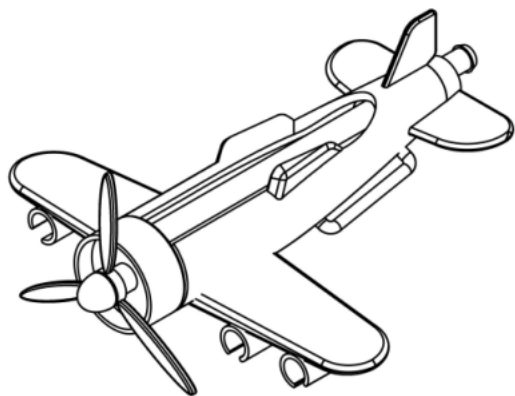
6座2樓B室

[74] 陳家傑

香港

上水吉祥街9號

蔚翠花園6座2樓B室



---

[11] 2424458.6M001

[15] 05-11-2024

[51] Cl. 11-01

[54] 珠寶飾品

Jewellery ornament

[73] 周大福珠宝金行(深圳)有限公司

CHOW TAI FOOK JEWELLERY (SHENZHEN) CO., LTD.

中國

广东省深圳市盐田区深盐路

黄金珠宝大厦 12 楼 A 座

故宫博物院

THE PALACE MUSEUM

中國

北京市东城区景山前街 4 号

[74] 中一聯合國際知識產權有限公司

香港

九龍觀塘興業街 20 號

聯合興業工業大廈 5 樓 A26 室



[11] 2424458.6M002

[15] 05-11-2024

[51] Cl. 11-01

[54] 珠寶飾品

Jewellery ornament

[73] 周大福珠宝金行(深圳)有限公司

CHOW TAI FOOK JEWELLERY (SHENZHEN) CO., LTD.

中國

广东省深圳市盐田区深盐路

黄金珠宝大厦 12 楼 A 座

故宫博物院

THE PALACE MUSEUM

中國

北京市东城区景山前街 4 号

[74] 中一聯合國際知識產權有限公司

香港

九龍觀塘興業街 20 號

聯合興業工業大廈 5 樓 A26 室





[11] 2424458.6M003

[15] 05-11-2024

[51] Cl. 11-01

[54] 珠寶飾品

Jewellery ornament

[73] 周大福珠宝金行(深圳)有限公司

CHOW TAI FOOK JEWELLERY (SHENZHEN) CO., LTD.

中國

广东省深圳市盐田区深盐路

黄金珠宝大厦 12 楼 A 座

故宫博物院

THE PALACE MUSEUM

中國

北京市东城区景山前街 4 号

[74] 中一聯合國際知識產權有限公司

香港

九龍觀塘興業街 20 號

聯合興業工業大廈 5 樓 A26 室



[11] 2424458.6M004

[15] 05-11-2024

[51] Cl. 11-01

[54] 珠寶飾品

Jewellery ornament

[73] 周大福珠宝金行(深圳)有限公司

CHOW TAI FOOK JEWELLERY (SHENZHEN) CO., LTD.

中國

广东省深圳市盐田区深盐路

黄金珠宝大厦 12 楼 A 座

故宫博物院

THE PALACE MUSEUM

中國

北京市东城区景山前街 4 号

[74] 中一聯合國際知識產權有限公司

香港

九龍觀塘興業街 20 號

聯合興業工業大廈 5 樓 A26 室



---

[11] 2424458.6M005

[15] 05-11-2024

[51] Cl. 11-01

[54] 珠寶飾品

Jewellery ornament

[73] 周大福珠宝金行(深圳)有限公司

CHOW TAI FOOK JEWELLERY (SHENZHEN) CO., LTD.

中國

广东省深圳市盐田区深盐路

黄金珠宝大厦 12 楼 A 座

故宫博物院

THE PALACE MUSEUM

中國

北京市东城区景山前街 4 号

[74] 中一聯合國際知識產權有限公司

香港

九龍觀塘興業街 20 號

聯合興業工業大廈 5 樓 A26 室



[11] 2424458.6M006

[15] 05-11-2024

[51] Cl. 11-01

[54] 珠寶飾品

Jewellery ornament

[73] 周大福珠宝金行(深圳)有限公司

CHOW TAI FOOK JEWELLERY (SHENZHEN) CO., LTD.

中國

广东省深圳市盐田区深盐路

黄金珠宝大厦 12 楼 A 座

故宫博物院

THE PALACE MUSEUM

中國

北京市东城区景山前街 4 号

[74] 中一聯合國際知識產權有限公司

香港

九龍觀塘興業街 20 號

聯合興業工業大廈 5 樓 A26 室



[11] 2424458.6M007

[15] 05-11-2024

[51] Cl. 11-01

[54] 珠寶飾品

Jewellery ornament

[73] 周大福珠寶金行(深圳)有限公司

CHOW TAI FOOK JEWELLERY (SHENZHEN) CO., LTD.

中國

广东省深圳市盐田区深盐路

黄金珠宝大厦 12 楼 A 座

故宫博物院

THE PALACE MUSEUM

中國

北京市东城区景山前街 4 号

[74] 中一聯合國際知識產權有限公司

香港

九龍觀塘興業街 20 號

聯合興業工業大廈 5 樓 A26 室



[11] 2424458.6M008

[15] 05-11-2024

[51] Cl. 11-01

[54] 珠寶飾品  
Jewellery ornament

[73] 周大福珠宝金行(深圳)有限公司  
CHOW TAI FOOK JEWELLERY (SHENZHEN) CO., LTD.  
中國  
广东省深圳市盐田区深盐路  
黄金珠宝大厦 12 楼 A 座

故宫博物院  
THE PALACE MUSEUM  
中國  
北京市东城区景山前街 4 号

[74] 中一聯合國際知識產權有限公司  
香港  
九龍觀塘興業街 20 號  
聯合興業工業大廈 5 樓 A26 室



---

[11] 2424458.6M009

[15] 05-11-2024

[51] Cl. 11-01

[54] 珠寶飾品  
Jewellery ornament

[73] 周大福珠宝金行(深圳)有限公司  
CHOW TAI FOOK JEWELLERY (SHENZHEN) CO., LTD.  
中國  
广东省深圳市盐田区深盐路

黄金珠宝大厦 12 楼 A 座

故宫博物院

THE PALACE MUSEUM

中國

北京市东城区景山前街 4 号

[74] 中一聯合國際知識產權有限公司

香港

九龍觀塘興業街 20 號

聯合興業工業大廈 5 樓 A26 室



[11] 2424458.6M010

[15] 05-11-2024

[51] Cl. 11-01

[54] 珠寶飾品

Jewellery ornament

[73] 周大福珠宝金行(深圳)有限公司

CHOW TAI FOOK JEWELLERY (SHENZHEN) CO., LTD.

中國

广东省深圳市盐田区深盐路

黄金珠宝大厦 12 楼 A 座

故宫博物院

THE PALACE MUSEUM

中國

北京市东城区景山前街 4 号

[74] 中一聯合國際知識產權有限公司

香港

九龍觀塘興業街 20 號

聯合興業工業大廈 5 樓 A26 室



---

[11] 2424458.6M011

[15] 05-11-2024

[51] Cl. 11-01

[54] 珠寶飾品

Jewellery ornament

[73] 周大福珠宝金行(深圳)有限公司

CHOW TAI FOOK JEWELLERY (SHENZHEN) CO., LTD.

中國

广东省深圳市盐田区深盐路

黄金珠宝大厦 12 楼 A 座

故宫博物院

THE PALACE MUSEUM

中國

北京市东城区景山前街 4 号

[74] 中一聯合國際知識產權有限公司

香港

九龍觀塘興業街 20 號

聯合興業工業大廈 5 樓 A26 室



[11] 2424458.6M012

[15] 05-11-2024

[51] Cl. 11-01

[54] 珠寶飾品

Jewellery ornament

[73] 周大福珠宝金行(深圳)有限公司

CHOW TAI FOOK JEWELLERY (SHENZHEN) CO., LTD.

中國

广东省深圳市盐田区深盐路

黄金珠宝大厦 12 楼 A 座

故宫博物院

THE PALACE MUSEUM

中國

北京市东城区景山前街 4 号

[74] 中一聯合國際知識產權有限公司

香港

九龍觀塘興業街 20 號

聯合興業工業大廈 5 樓 A26 室





[11] 2424458.6M013

[15] 05-11-2024

[51] C1. 11-01

[54] 珠寶飾品

Jewellery ornament

[73] 周大福珠宝金行(深圳)有限公司

CHOW TAI FOOK JEWELLERY (SHENZHEN) CO., LTD.

中國

广东省深圳市盐田区深盐路

黄金珠宝大厦 12 楼 A 座

故宫博物院

THE PALACE MUSEUM

中國

北京市东城区景山前街 4 号

[74] 中一聯合國際知識產權有限公司

香港

九龍觀塘興業街 20 號

聯合興業工業大廈 5 樓 A26 室



[11] 2424458.6M014

[15] 05-11-2024

[51] Cl. 11-01

[54] 珠寶飾品

Jewellery ornament

[73] 周大福珠宝金行(深圳)有限公司

CHOW TAI FOOK JEWELLERY (SHENZHEN) CO., LTD.

中國

广东省深圳市盐田区深盐路

黄金珠宝大厦 12 楼 A 座

故宫博物院

THE PALACE MUSEUM

中國

北京市东城区景山前街 4 号

[74] 中一聯合國際知識產權有限公司

香港

九龍觀塘興業街 20 號

聯合興業工業大廈 5 樓 A26 室



[11] 2424458.6M015

[15] 05-11-2024

[51] Cl. 11-01

[54] 珠寶飾品

Jewellery ornament

[73] 周大福珠宝金行(深圳)有限公司

CHOW TAI FOOK JEWELLERY (SHENZHEN) CO., LTD.

中國

广东省深圳市盐田区深盐路  
黄金珠宝大厦 12 楼 A 座

故宫博物院

THE PALACE MUSEUM

中國

北京市东城区景山前街 4 号

[74] 中一聯合國際知識產權有限公司

香港

九龍觀塘興業街 20 號

聯合興業工業大廈 5 樓 A26 室



[11] 2424458.6M016

[15] 05-11-2024

[51] Cl. 11-01

[54] 珠寶飾品

Jewellery ornament

[73] 周大福珠宝金行(深圳)有限公司

CHOW TAI FOOK JEWELLERY (SHENZHEN) CO., LTD.

中國

广东省深圳市盐田区深盐路  
黄金珠宝大厦 12 楼 A 座

故宫博物院

THE PALACE MUSEUM

中國

北京市东城区景山前街 4 号

[74] 中一聯合國際知識產權有限公司

香港

九龍觀塘興業街 20 號  
聯合興業工業大廈 5 樓 A26 室



---

[11] 2424458.6M017

[15] 05-11-2024

[51] Cl. 11-01

[54] 珠寶飾品  
Jewellery ornament

[73] 周大福珠寶金行(深圳)有限公司  
CHOW TAI FOOK JEWELLERY (SHENZHEN) CO., LTD.  
中國  
廣東省深圳市鹽田區深鹽路  
黃金珠寶大廈 12 樓 A 座

故宮博物院  
THE PALACE MUSEUM  
中國  
北京市東城區景山前街 4 號

[74] 中一聯合國際知識產權有限公司  
香港  
九龍觀塘興業街 20 號  
聯合興業工業大廈 5 樓 A26 室



[11] 2424458.6M018

[15] 05-11-2024

[51] Cl. 11-01

[54] 珠寶飾品

Jewellery ornament

[73] 周大福珠宝金行(深圳)有限公司

CHOW TAI FOOK JEWELLERY (SHENZHEN) CO., LTD.

中國

广东省深圳市盐田区深盐路

黄金珠宝大厦 12 楼 A 座

故宫博物院

THE PALACE MUSEUM

中國

北京市东城区景山前街 4 号

[74] 中一聯合國際知識產權有限公司

香港

九龍觀塘興業街 20 號

聯合興業工業大廈 5 樓 A26 室



[11] 2424462.4M001

[15] 05-11-2024

[51] Cl. 11-01

[54] 飾物設計  
Ornament design

[73] 六福集團有限公司

Luk Fook Holdings Company Limited  
15th, 20th, 25th & 27th Floor, Metropole Square,  
No.2 On Yiu Street, Shatin, New Territories,  
HONG KONG

[74] Luk Fook Holdings Company Limited (Legal Affairs Department)

Floor 15, Metropole Square,  
No.2 On Yiu Street, Shatin,  
Hong Kong



[11] 2424462.4M002

[15] 05-11-2024

[51] Cl. 11-01

[54] 飾物設計

Ornament design

[73] 六福集團有限公司

Luk Fook Holdings Company Limited

15th, 20th, 25th & 27th Floor, Metropole Square,

No.2 On Yiu Street, Shatin, New Territories,

HONG KONG

[74] Luk Fook Holdings Company Limited (Legal Affairs Department)

Floor 15, Metropole Square,

No.2 On Yiu Street, Shatin,

Hong Kong



---

[11] 2424462.4M003

[15] 05-11-2024

[51] Cl. 11-01

[54] 飾物設計

Ornament design

[73] 六福集團有限公司

Luk Fook Holdings Company Limited

15th, 20th, 25th & 27th Floor, Metropole Square,

No.2 On Yiu Street, Shatin, New Territories,

HONG KONG

[74] Luk Fook Holdings Company Limited (Legal Affairs Department)

Floor 15, Metropole Square,

No.2 On Yiu Street, Shatin,

Hong Kong



---

[11] 2424462.4M004

[15] 05-11-2024

[51] Cl. 11-01

[54] 飾物設計

Ornament design

[73] 六福集團有限公司

Luk Fook Holdings Company Limited

15th, 20th, 25th & 27th Floor, Metropole Square,

No.2 On Yiu Street, Shatin, New Territories,

HONG KONG

[74] Luk Fook Holdings Company Limited (Legal Affairs Department)

Floor 15, Metropole Square,

No.2 On Yiu Street, Shatin,

Hong Kong





[11] 2424462.4M005

[15] 05-11-2024

[51] Cl. 11-01

[54] 飾物設計

Ornament design

[73] 六福集團有限公司

Luk Fook Holdings Company Limited

15th, 20th, 25th & 27th Floor, Metropole Square,

No.2 On Yiu Street, Shatin, New Territories,

HONG KONG

[74] Luk Fook Holdings Company Limited (Legal Affairs Department)

Floor 15, Metropole Square,

No.2 On Yiu Street, Shatin,

Hong Kong



[11] 2424462.4M006

[15] 05-11-2024

[51] Cl. 11-01

[54] 飾物設計

Ornament design

[73] 六福集團有限公司

Luk Fook Holdings Company Limited

15th, 20th, 25th & 27th Floor, Metropole Square,

No.2 On Yiu Street, Shatin, New Territories,

HONG KONG

[74] Luk Fook Holdings Company Limited (Legal Affairs Department)

Floor 15, Metropole Square,

No.2 On Yiu Street, Shatin,

Hong Kong



[11] 2424462.4M007

[15] 05-11-2024

[51] Cl. 11-01

[54] 飾物設計

Ornament design

[73] 六福集團有限公司

Luk Fook Holdings Company Limited

15th, 20th, 25th & 27th Floor, Metropole Square,

No.2 On Yiu Street, Shatin, New Territories,

HONG KONG

[74] Luk Fook Holdings Company Limited (Legal Affairs Department)

Floor 15, Metropole Square,

No.2 On Yiu Street, Shatin,

Hong Kong



[11] 2424462.4M008

[15] 05-11-2024

[51] Cl. 11-01

[54] 飾物設計

Ornament design

[73] 六福集團有限公司

Luk Fook Holdings Company Limited

15th, 20th, 25th & 27th Floor, Metropole Square,

No.2 On Yiu Street, Shatin, New Territories,

HONG KONG

[74] Luk Fook Holdings Company Limited (Legal Affairs Department)

Floor 15, Metropole Square,

No.2 On Yiu Street, Shatin,

Hong Kong



---

[11] 2424462.4M009

[15] 05-11-2024

[51] Cl. 11-01

[54] 飾物設計

Ornament design

[73] 六福集團有限公司

Luk Fook Holdings Company Limited

15th, 20th, 25th & 27th Floor, Metropole Square,

No.2 On Yiu Street, Shatin, New Territories,

HONG KONG

[74] Luk Fook Holdings Company Limited (Legal Affairs Department)

Floor 15, Metropole Square,

No.2 On Yiu Street, Shatin,

Hong Kong



---

[11] 2424462.4M010

[15] 05-11-2024

[51] Cl. 11-01

[54] 飾物設計

Ornament design

[73] 六福集團有限公司

Luk Fook Holdings Company Limited

15th, 20th, 25th & 27th Floor, Metropole Square,

No.2 On Yiu Street, Shatin, New Territories,

HONG KONG

[74] Luk Fook Holdings Company Limited (Legal Affairs Department)

Floor 15, Metropole Square,

No.2 On Yiu Street, Shatin,

Hong Kong



---

[11] 2424462.4M011

[15] 05-11-2024

[51] Cl. 11-01

[54] 飾物設計

Ornament design

[73] 六福集團有限公司

Luk Fook Holdings Company Limited

15th, 20th, 25th & 27th Floor, Metropole Square,

No.2 On Yiu Street, Shatin, New Territories,

HONG KONG

[74] Luk Fook Holdings Company Limited (Legal Affairs Department)

Floor 15, Metropole Square,

No.2 On Yiu Street, Shatin,

Hong Kong



---

[11] 2424462.4M012

[15] 05-11-2024

[51] Cl. 11-01

[54] 飾物設計

Ornament design

[73] 六福集團有限公司

Luk Fook Holdings Company Limited

15th, 20th, 25th & 27th Floor, Metropole Square,

No.2 On Yiu Street, Shatin, New Territories,

HONG KONG

[74] Luk Fook Holdings Company Limited (Legal Affairs Department)

Floor 15, Metropole Square,

No.2 On Yiu Street, Shatin,

Hong Kong



---

[11] 2424462.4M013

[15] 05-11-2024

[51] Cl. 11-01

[54] 飾物設計

Ornament design

[73] 六福集團有限公司

Luk Fook Holdings Company Limited

15th, 20th, 25th & 27th Floor, Metropole Square,

No.2 On Yiu Street, Shatin, New Territories,

HONG KONG

[74] Luk Fook Holdings Company Limited (Legal Affairs Department)

Floor 15, Metropole Square,

No.2 On Yiu Street, Shatin,

Hong Kong



[11] 2424462.4M014

[15] 05-11-2024

[51] Cl. 11-01

[54] 飾物設計

Ornament design

[73] 六福集團有限公司

Luk Fook Holdings Company Limited

15th, 20th, 25th & 27th Floor, Metropole Square,

No.2 On Yiu Street, Shatin, New Territories,

HONG KONG

[74] Luk Fook Holdings Company Limited (Legal Affairs Department)

Floor 15, Metropole Square,

No.2 On Yiu Street, Shatin,

Hong Kong



---

[11] 2424462.4M015

[15] 05-11-2024

[51] Cl. 11-01

[54] 飾物設計

Ornament design

[73] 六福集團有限公司

Luk Fook Holdings Company Limited

15th, 20th, 25th & 27th Floor, Metropole Square,

No.2 On Yiu Street, Shatin, New Territories,

HONG KONG

[74] Luk Fook Holdings Company Limited (Legal Affairs Department)

Floor 15, Metropole Square,

No.2 On Yiu Street, Shatin,

Hong Kong



---

[11] 2424462.4M016

[15] 05-11-2024

[51] Cl. 11-01

[54] 飾物設計

Ornament design

[73] 六福集團有限公司

Luk Fook Holdings Company Limited

15th, 20th, 25th & 27th Floor, Metropole Square,

No.2 On Yiu Street, Shatin, New Territories,

HONG KONG

[74] Luk Fook Holdings Company Limited (Legal Affairs Department)

Floor 15, Metropole Square,

No.2 On Yiu Street, Shatin,

Hong Kong



---

[11] 2424462.4M017

[15] 05-11-2024

[51] Cl. 11-01

[54] 飾物設計

Ornament design

[73] 六福集團有限公司

Luk Fook Holdings Company Limited

15th, 20th, 25th & 27th Floor, Metropole Square,

No.2 On Yiu Street, Shatin, New Territories,

HONG KONG

[74] Luk Fook Holdings Company Limited (Legal Affairs Department)

Floor 15, Metropole Square,

No.2 On Yiu Street, Shatin,

Hong Kong





---

[11] 2424462.4M018

[15] 05-11-2024

[51] Cl. 11-01

[54] 飾物設計

Ornament design

[73] 六福集團有限公司

Luk Fook Holdings Company Limited

15th, 20th, 25th & 27th Floor, Metropole Square,

No.2 On Yiu Street, Shatin, New Territories,

HONG KONG

[74] Luk Fook Holdings Company Limited (Legal Affairs Department)

Floor 15, Metropole Square,

No.2 On Yiu Street, Shatin,

Hong Kong



[11] 2424462.4M019

[15] 05-11-2024

[51] Cl. 11-01

[54] 飾物設計

Ornament design

[73] 六福集團有限公司

Luk Fook Holdings Company Limited

15th, 20th, 25th & 27th Floor, Metropole Square,

No.2 On Yiu Street, Shatin, New Territories,

HONG KONG

[74] Luk Fook Holdings Company Limited (Legal Affairs Department)

Floor 15, Metropole Square,

No.2 On Yiu Street, Shatin,

Hong Kong



---

[11] 2424462.4M020

[15] 05-11-2024

[51] Cl. 11-01

[54] 飾物設計

Ornament design

[73] 六福集團有限公司

Luk Fook Holdings Company Limited

15th, 20th, 25th & 27th Floor, Metropole Square,

No.2 On Yiu Street, Shatin, New Territories,

HONG KONG

[74] Luk Fook Holdings Company Limited (Legal Affairs Department)

Floor 15, Metropole Square,

No.2 On Yiu Street, Shatin,

Hong Kong



---

[11] 2424462.4M021

[15] 05-11-2024

[51] Cl. 11-01

[54] 飾物設計

Ornament design

[73] 六福集團有限公司

Luk Fook Holdings Company Limited

15th, 20th, 25th & 27th Floor, Metropole Square,

No.2 On Yiu Street, Shatin, New Territories,

HONG KONG

[74] Luk Fook Holdings Company Limited (Legal Affairs Department)

Floor 15, Metropole Square,

No.2 On Yiu Street, Shatin,

Hong Kong



[11] 2424462.4M022

[15] 05-11-2024

[51] Cl. 11-01

[54] 飾物設計

Ornament design

[73] 六福集團有限公司

Luk Fook Holdings Company Limited

15th, 20th, 25th & 27th Floor, Metropole Square,

No.2 On Yiu Street, Shatin, New Territories,

HONG KONG

[74] Luk Fook Holdings Company Limited (Legal Affairs Department)

Floor 15, Metropole Square,

No.2 On Yiu Street, Shatin,

Hong Kong



---

[11] 2424462.4M023

[15] 05-11-2024

[51] Cl. 11-01

[54] 飾物設計

Ornament design

[73] 六福集團有限公司

Luk Fook Holdings Company Limited

15th, 20th, 25th & 27th Floor, Metropole Square,

No.2 On Yiu Street, Shatin, New Territories,

HONG KONG

[74] Luk Fook Holdings Company Limited (Legal Affairs Department)

Floor 15, Metropole Square,

No.2 On Yiu Street, Shatin,

Hong Kong



---

[11] 2424462.4M024

[15] 05-11-2024

[51] Cl. 11-01

[54] 飾物設計

Ornament design

[73] 六福集團有限公司

Luk Fook Holdings Company Limited

15th, 20th, 25th & 27th Floor, Metropole Square,

No.2 On Yiu Street, Shatin, New Territories,

HONG KONG

[74] Luk Fook Holdings Company Limited (Legal Affairs Department)

Floor 15, Metropole Square,

No.2 On Yiu Street, Shatin,

Hong Kong



[11] 2424462.4M025

[15] 05-11-2024

[51] Cl. 11-01

[54] 飾物設計

Ornament design

[73] 六福集團有限公司

Luk Fook Holdings Company Limited

15th, 20th, 25th & 27th Floor, Metropole Square,

No.2 On Yiu Street, Shatin, New Territories,

HONG KONG

[74] Luk Fook Holdings Company Limited (Legal Affairs Department)

Floor 15, Metropole Square,

No.2 On Yiu Street, Shatin,

Hong Kong



---

[11] 2424462.4M026

[15] 05-11-2024

[51] Cl. 11-01

[54] 飾物設計

Ornament design

[73] 六福集團有限公司

Luk Fook Holdings Company Limited

15th, 20th, 25th & 27th Floor, Metropole Square,

No.2 On Yiu Street, Shatin, New Territories,

HONG KONG

[74] Luk Fook Holdings Company Limited (Legal Affairs Department)

Floor 15, Metropole Square,

No.2 On Yiu Street, Shatin,

Hong Kong



---

[11] 2424463.6

[15] 05-11-2024

[51] Cl. 7-01

[54] 真空瓶

Vacuum bottle

[73] ZOJIRUSHI CORPORATION

20-5, 1-Chome, Tenma, Kita-ku,

Osaka, 530-8511,

JAPAN

[74] HASTINGS & CO

1101, 11th Floor, Gloucester Tower,

The Landmark, 15 Queen's Road,

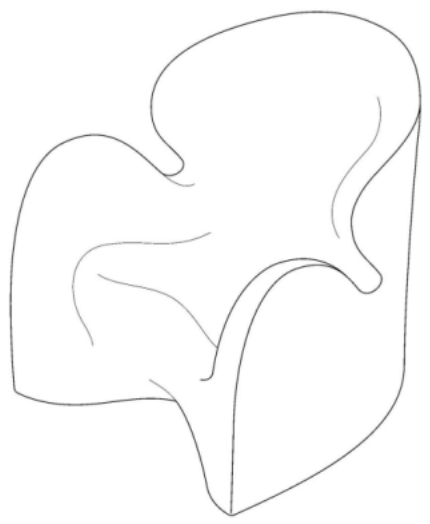
Central, Hong Kong



---

[11] 2424474.9

- [15] 06-11-2024
- [30] 07-05-2024 / JP / 2024-009075
- [51] Cl. 6-01
- [54] 座具  
Seat
- [73] 株式會社 MTG  
MTG CO., LTD.  
2-32 Honjin-tori, Nakamura-ku,  
Nagoya-shi, Aichi 4530041,  
JAPAN
- [74] CHINAHONGKONG IP LIMITED  
1502, 15/F, Capital Centre,  
151 Gloucester Road, Wanchai,  
Hong Kong

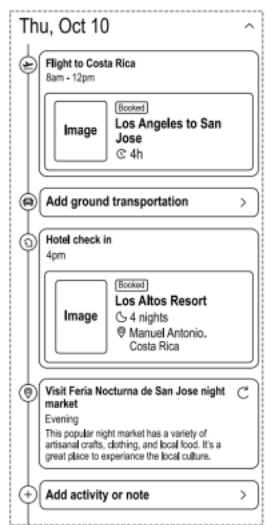


- 
- [11] 2424475.2
- [15] 06-11-2024
- [51] Cl. 3-01
- [54] 包  
Bag
- [73] BTV GROUP PTE. LTD.  
2 Alexandra Road #06-03,  
Delta House, Singapore 159919,  
SINGAPORE
- [74] ACCOLADE IP LIMITED  
Unit 2406B, 24/F, Low Block,  
Grand Millennium Plaza,  
181 Queen's Road Central, Sheung Wan,  
Hong Kong





- [11] 2424483.8M001
- [15] 08-11-2024
- [30] 08-05-2024 / US / 29/941,179
- [51] Cl. 14-04
- [54] 圖形使用者介面或其部分  
Graphical user interface or portion thereof
- [73] Expedia, Inc.  
1111 Expedia Group Way,  
W, Seattle, WA 98119,  
UNITED STATES OF AMERICA
- [74] DCC HONG KONG LIMITED  
Suite 52, 48/F, Langham Place Office Tower,  
8 Argyle Street, Mong Kok,  
HONG KONG



- [11] 2424483.8M002
- [15] 08-11-2024
- [30] 08-05-2024 / US / 29/941,179
- [51] Cl. 14-04
- [54] 圖形使用者介面或其部分  
Graphical user interface or portion thereof
- [73] Expedia, Inc.  
1111 Expedia Group Way,  
W, Seattle, WA 98119,  
UNITED STATES OF AMERICA
- [74] DCC HONG KONG LIMITED  
Suite 52, 48/F, Langham Place Office Tower,  
8 Argyle Street, Mong Kok,  
HONG KONG



- [11] 2424483.8M003
- [15] 08-11-2024
- [30] 08-05-2024 / US / 29/941,179
- [51] Cl. 14-04
- [54] 圖形使用者介面或其部分  
Graphical user interface or portion thereof
- [73] Expedia, Inc.  
1111 Expedia Group Way,  
W, Seattle, WA 98119,  
UNITED STATES OF AMERICA
- [74] DCC HONG KONG LIMITED  
Suite 52, 48/F, Langham Place Office Tower,  
8 Argyle Street, Mong Kok,  
HONG KONG



[11] 2424483.8M004

[15] 08-11-2024

[30] 08-05-2024 / US / 29/941,179

[51] Cl. 14-04

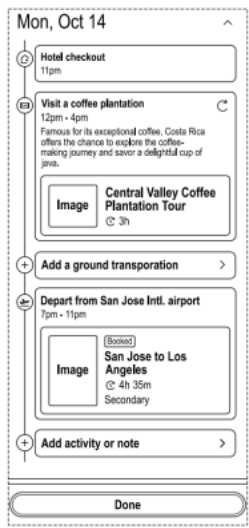
[54] 圖形使用者介面或其部分  
Graphical user interface or portion thereof

[73] Expedia, Inc.  
1111 Expedia Group Way,  
W, Seattle, WA 98119,  
UNITED STATES OF AMERICA

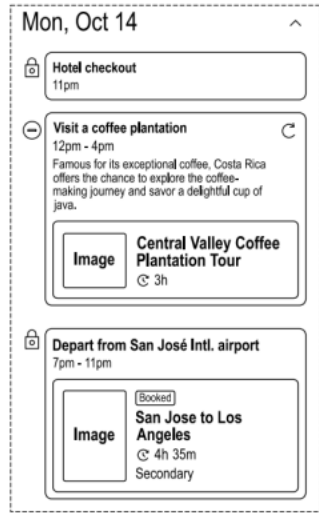
[74] DCC HONG KONG LIMITED  
Suite 52, 48/F, Langham Place Office Tower,  
8 Argyle Street, Mong Kok,  
HONG KONG



- [11] 2424483.8M005
- [15] 08-11-2024
- [30] 08-05-2024 / US / 29/941,179
- [51] Cl. 14-04
- [54] 圖形使用者介面或其部分  
Graphical user interface or portion thereof
- [73] Expedia, Inc.  
1111 Expedia Group Way,  
W, Seattle, WA 98119,  
UNITED STATES OF AMERICA
- [74] DCC HONG KONG LIMITED  
Suite 52, 48/F, Langham Place Office Tower,  
8 Argyle Street, Mong Kok,  
HONG KONG



- 
- [11] 2424483.8M006
  - [15] 08-11-2024
  - [30] 08-05-2024 / US / 29/941,179
  - [51] Cl. 14-04
  - [54] 圖形使用者介面或其部分  
Graphical user interface or portion thereof
  - [73] Expedia, Inc.  
1111 Expedia Group Way,  
W, Seattle, WA 98119,  
UNITED STATES OF AMERICA
  - [74] DCC HONG KONG LIMITED  
Suite 52, 48/F, Langham Place Office Tower,  
8 Argyle Street, Mong Kok,  
HONG KONG



[11] 2424483.8M007

[15] 08-11-2024

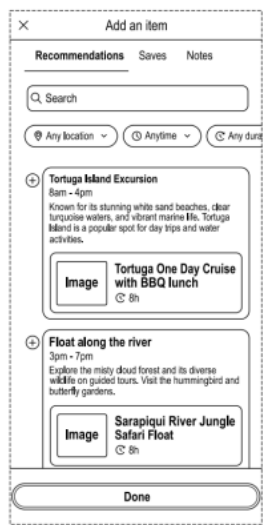
[30] 08-05-2024 / US / 29/941,179

[51] Cl. 14-04

[54] 圖形使用者介面或其部分  
Graphical user interface or portion thereof

[73] Expedia, Inc.  
1111 Expedia Group Way,  
W, Seattle, WA 98119,  
UNITED STATES OF AMERICA

[74] DCC HONG KONG LIMITED  
Suite 52, 48/F, Langham Place Office Tower,  
8 Argyle Street, Mong Kok,  
HONG KONG



- [11] 2424483.8M008
- [15] 08-11-2024
- [30] 08-05-2024 / US / 29/941,179
- [51] Cl. 14-04
- [54] 圖形使用者介面或其部分  
Graphical user interface or portion thereof
- [73] Expedia, Inc.  
1111 Expedia Group Way,  
W, Seattle, WA 98119,  
UNITED STATES OF AMERICA
- [74] DCC HONG KONG LIMITED  
Suite 52, 48/F, Langham Place Office Tower,  
8 Argyle Street, Mong Kok,  
HONG KONG



- 
- [11] 2424483.8M009
  - [15] 08-11-2024
  - [30] 08-05-2024 / US / 29/941,179
  - [51] Cl. 14-04
  - [54] 圖形使用者介面或其部分  
Graphical user interface or portion thereof
  - [73] Expedia, Inc.  
1111 Expedia Group Way,  
W, Seattle, WA 98119,  
UNITED STATES OF AMERICA
  - [74] DCC HONG KONG LIMITED  
Suite 52, 48/F, Langham Place Office Tower,  
8 Argyle Street, Mong Kok,  
HONG KONG



[11] 2424483.8M010

[15] 08-11-2024

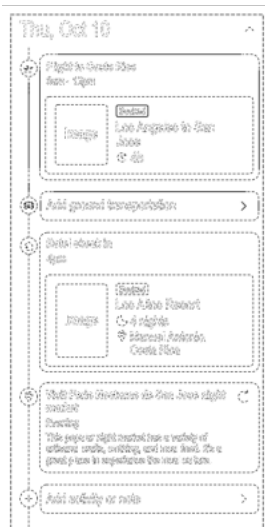
[30] 08-05-2024 / US / 29/941,179

[51] Cl. 14-04

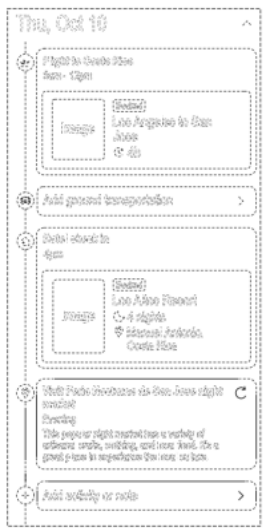
[54] 圖形使用者介面或其部分  
Graphical user interface or portion thereof

[73] Expedia, Inc.  
1111 Expedia Group Way,  
W, Seattle, WA 98119,  
UNITED STATES OF AMERICA

[74] DCC HONG KONG LIMITED  
Suite 52, 48/F, Langham Place Office Tower,  
8 Argyle Street, Mong Kok,  
HONG KONG

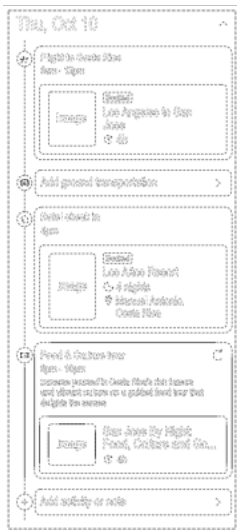


- [11] 2424483.8M011
- [15] 08-11-2024
- [30] 08-05-2024 / US / 29/941,179
- [51] Cl. 14-04
- [54] 圖形使用者介面或其部分  
Graphical user interface or portion thereof
- [73] Expedia, Inc.  
1111 Expedia Group Way,  
W, Seattle, WA 98119,  
UNITED STATES OF AMERICA
- [74] DCC HONG KONG LIMITED  
Suite 52, 48/F, Langham Place Office Tower,  
8 Argyle Street, Mong Kok,  
HONG KONG



- [11] 2424483.8M012
- [15] 08-11-2024
- [30] 08-05-2024 / US / 29/941,179
- [51] Cl. 14-04
- [54] 圖形使用者介面或其部分  
Graphical user interface or portion thereof
- [73] Expedia, Inc.  
1111 Expedia Group Way,  
W, Seattle, WA 98119,  
UNITED STATES OF AMERICA
- [74] DCC HONG KONG LIMITED  
Suite 52, 48/F, Langham Place Office Tower,  
8 Argyle Street, Mong Kok,  
HONG KONG





[11] 2424483.8M013

[15] 08-11-2024

[30] 08-05-2024 / US / 29/941,179

[51] Cl. 14-04

[54] 圖形使用者介面或其部分

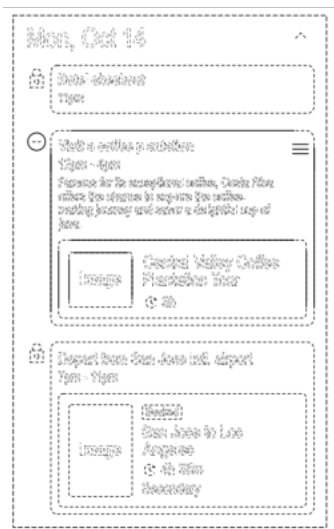
Graphical user interface or portion thereof

[73] Expedia, Inc.

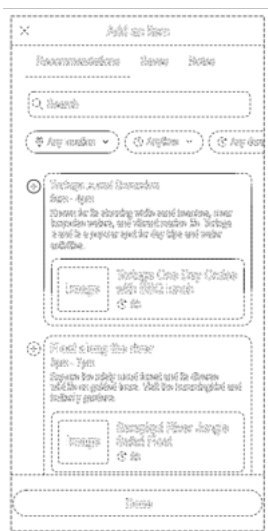
1111 Expedia Group Way,  
W, Seattle, WA 98119,  
UNITED STATES OF AMERICA

[74] DCC HONG KONG LIMITED

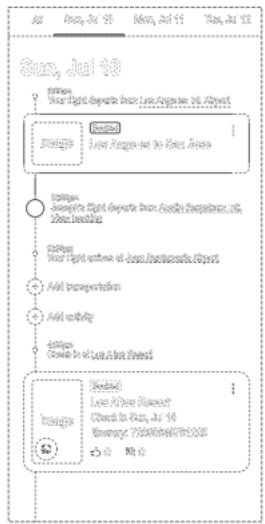
Suite 52, 48/F, Langham Place Office Tower,  
8 Argyle Street, Mong Kok,  
HONG KONG



- [11] 2424483.8M014
- [15] 08-11-2024
- [30] 08-05-2024 / US / 29/941,179
- [51] Cl. 14-04
- [54] 圖形使用者介面或其部分  
Graphical user interface or portion thereof
- [73] Expedia, Inc.  
1111 Expedia Group Way,  
W, Seattle, WA 98119,  
UNITED STATES OF AMERICA
- [74] DCC HONG KONG LIMITED  
Suite 52, 48/F, Langham Place Office Tower,  
8 Argyle Street, Mong Kok,  
HONG KONG



- [11] 2424483.8M015
- [15] 08-11-2024
- [30] 08-05-2024 / US / 29/941,179
- [51] Cl. 14-04
- [54] 圖形使用者介面或其部分  
Graphical user interface or portion thereof
- [73] Expedia, Inc.  
1111 Expedia Group Way,  
W, Seattle, WA 98119,  
UNITED STATES OF AMERICA
- [74] DCC HONG KONG LIMITED  
Suite 52, 48/F, Langham Place Office Tower,  
8 Argyle Street, Mong Kok,  
HONG KONG



[11] 2424483.8M016

[15] 08-11-2024

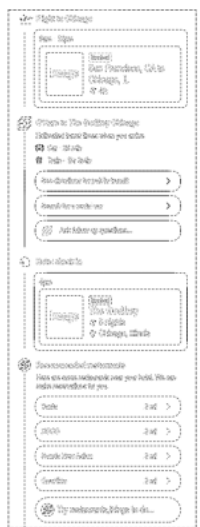
[30] 08-05-2024 / US / 29/941,179

[51] Cl. 14-04

[54] 圖形使用者介面或其部分  
Graphical user interface or portion thereof

[73] Expedia, Inc.  
1111 Expedia Group Way,  
W, Seattle, WA 98119,  
UNITED STATES OF AMERICA

[74] DCC HONG KONG LIMITED  
Suite 52, 48/F, Langham Place Office Tower,  
8 Argyle Street, Mong Kok,  
HONG KONG





香港特別行政區政府知識產權署外觀設計註冊處

The Government of the Hong Kong Special Administrative Region

Designs Registry, Intellectual Property Department

根據註冊外觀設計條例第 28 條，下列註冊外觀設計因未繳續期費而停止有效。

各組記項按註冊外觀設計停止有效日期及註冊編號先後次序排列。

**Registered designs ceased through non-payment of renewal fees under section 28 of the Registered Designs Ordinance. Entries are listed below under their expiry dates.**

**17-07-2024 - 11-12-2024**

<b>17-07-2024</b>	1402289.9M001	0902121.7
2015673.7M002	1402289.9M002	0902126.8
	1402289.9M003	1915223.0
<b>17-11-2024</b>	1402289.9M004	1915224.2
2016223.4M001	1402292.5	1915225.5
2016223.4M002	1915209.1M002	
	1915209.1M003	
<b>05-12-2024</b>		<b>11-12-2024</b>
1915197.4M001		1402314.3M001
1915197.4M002	<b>09-12-2024</b>	1402314.3M002
1915197.4M003	0412834.6	1402314.3M003
1915198.6	0902074.6	1402323.2M001
1915201.4	0902075.9	1402323.2M002
1915202.6	0902076.1	1402323.2M003
	0902096.3	1402328.3
	1915220.4M001	1915226.7
<b>06-12-2024</b>	1915220.4M002	1915227.9
0902058.3M001	1915220.4M003	1915228.1
0902058.3M002	1915221.6M001	1915229.3
0902059.5	1915221.6M002	1915230.5
	1915221.6M003	
<b>07-12-2024</b>	1915222.8	
0412807.0M004		
1402275.0M002	<b>10-12-2024</b>	
1402275.0M003	0902107.8	
1402276.2	0902112.8M001	
1402278.6M001	0902112.8M002	
1402278.6M002	0902112.8M003	
1402278.6M003	0902112.8M005	
1402278.6M004	0902112.8M006	
1402282.4	0902112.8M007	
1402283.6	0902112.8M008	
1402286.3	0902112.8M009	
	0902112.8M010	
<b>08-12-2024</b>	0902120.5	



香港特別行政區政府知識產權署外觀設計註冊處

The Government of the Hong Kong Special Administrative Region

Designs Registry, Intellectual Property Department

根據註冊外觀設計規則第 31 條刪除的註冊外觀設計。各組記項按註冊外觀設計刪除日期及註冊編號先後次序排列。

**Registered designs removed under section 31 of the Registered Designs Rules. Entries are listed below under their removal dates.**

**13-12-2024 - 19-12-2024**

<b>13-12-2024</b>	1913908.2M013	1913914.4M007
1401058.9	1913908.2M014	1913914.4M008
1401059.1	1913908.2M015	1913915.7
1401060.3M001	1913909.4M001	1913916.9
1401060.3M003	1913909.4M002	1913919.5
1401060.3M004	1913910.6M001	1913920.7M001
1401062.7	1913910.6M002	1913920.7M002
1401066.6	1913911.8	1913924.5M001
1401068.0		1913924.5M002
1913595.7	<b>16-12-2024</b>	1913924.5M003
1913894.0	0411290.0	1913924.5M004
1913898.9	0411291.2	1913925.8M001
1913900.5M001	0900937.6	1913925.8M002
1913900.5M002	1401069.2	1913925.8M003
1913901.7	1401071.6	1913925.8M004
1913903.1	1401072.8	
1913907.0M001	1401073.0	<b>18-12-2024</b>
1913907.0M002	1401074.2	1401088.2M001
1913907.0M003	1401075.5M001	1401088.2M002
1913907.0M004	1401075.5M002	1913943.5
1913907.0M005	1401076.7M001	1913944.7
1913907.0M006	1401076.7M002	1913945.0
1913908.2M001	1401078.1	1913946.2
1913908.2M002		
1913908.2M003	<b>17-12-2024</b>	<b>19-12-2024</b>
1913908.2M004	0900945.3	0900960.4M001
1913908.2M005	0900946.5	0900960.4M002
1913908.2M006	0900947.7	0900960.4M003
1913908.2M007	1913914.4M001	0900960.4M004
1913908.2M008	1913914.4M002	1401100.9
1913908.2M009	1913914.4M003	1913957.5M001
1913908.2M010	1913914.4M004	1913957.5M002
1913908.2M011	1913914.4M005	1913959.9
1913908.2M012	1913914.4M006	1913960.1

