

香港知識產權公報

Hong Kong Intellectual Property Journal

2024年10月4日
04 October 2024

目錄 Contents

根據註冊外觀設計條例第 25 條註冊的外觀設計

Designs Registered under section 25 of the Registered Designs Ordinance

按註冊編號排列

Arranged by Registration Number

根據註冊外觀設計條例(第 522 章)公布的其他公告

Other Notices Published under the Registered Designs Ordinance (Cap. 522)

根據註冊外觀設計條例第 28 條，註冊外觀設計因未繳續期費而停止有效

Registered designs ceased through non-payment of renewal fees under section 28 of the Registered Designs Ordinance

根據註冊外觀設計規則第 31 條刪除的註冊外觀設計

Registered designs removed under section 31 of the Registered Designs Rules

根據註冊外觀設計條例第 76 條，更正已提交文件中的錯誤

Correction of errors in filed documents under section 76 of the Registered Designs Ordinance

以下事項沒有記錄

No Records for the Following Matters

根據註冊外觀設計條例第 30 條放棄的外觀設計的註冊

Surrender of Registration of Design under section 30 of the Registered Designs Ordinance

根據註冊外觀設計規則第 37 條，向處長作出轉介

Reference to Registrar under section 37 of the Registered Designs Rules

根據註冊外觀設計條例第 45 條，撤銷註冊

Revocation of Registration under section 45 of the Registered Designs Ordinance

根據註冊外觀設計規則第 46 條，向法院作出轉介

Reference to Court under section 46 of the Registered Designs Rules

根據註冊外觀設計規則第 63 條對不符合規定之處作出糾正

Rectification of Irregularities under section 63 of the Registered Designs Rules

根據註冊外觀設計條例第 66 條，糾正註冊紀錄冊

Rectification of Register under section 66 of the Registered Designs Ordinance

根據註冊外觀設計條例第 67 條 更正註冊紀錄冊內的錯誤

Correction of errors in Register under section 67 of the Registered Designs Ordinance

根據註冊外觀設計條例第 67 及 76 條，更正註冊紀錄冊內及已提交文件中的錯誤

Correction of Errors in Register and in Filed Documents under sections 67 and 76 of the Registered Designs Ordinance

勘誤

Corrigendum

註冊外觀設計公告註釋

Notes on advertisements of registration of designs

方括號表示下列資料：

Square brackets indicate the following data：

[11] 註冊編號 Registration number / 聯合王國註冊編號 United Kingdom registration number

[15] 註冊日期 Registration date / 當作註冊日期 Deemed registration date / 聯合王國註冊日期 United Kingdom registration date

[17] 註冊有效期屆滿日期 Expiry date of the period of registration

[22] 提交日期 Filing date / 當作提交日期 Deemed filing date / 聯合王國提交日期 United Kingdom filing date

[30] 聲稱享有的優先權（提交日期 / 巴黎公約國或世界貿易組織成員 / 申請編號） Priority claimed (filing date / Paris Convention country or WTO member / application number)

[51] 國際外觀設計分類號（洛迦諾分類號） International Classification of designs (Locarno Classification)

[54] 物品 Article

[55] 外觀設計的表述 Representation of the design

[62] 分開前的申請編號及提交日期 Application number before division and filing date

[66] 過往註冊的聯繫外觀設計註冊編號 / 日期 Registration No. / Date of Previous Registration for Association

[72] 設計人 Designer

[73] 擁有人姓名和地址 Name and address of the owner

[74] 代理人 Agent /送達地址 Address for service



香港特別行政區政府知識產權署外觀設計註冊處

The Government of the Hong Kong Special Administrative Region

Designs Registry, Intellectual Property Department

根據註冊外觀設計條例第 25 條註冊的外觀設計

Designs registered under section 25 of the Registered Designs Ordinance

按註冊編號排列

Arranged by Registration Number

[11] 2423358.3M001

[15] 22-05-2024

[30] 22-11-2023 / US / 29/917,893

[51] Cl. 14-02

[54] 頭戴式顯示器

Head-mounted display

[73] 蘋果公司

APPLE INC.

ONE APPLE PARK WAY, CUPERTINO,

CALIFORNIA,

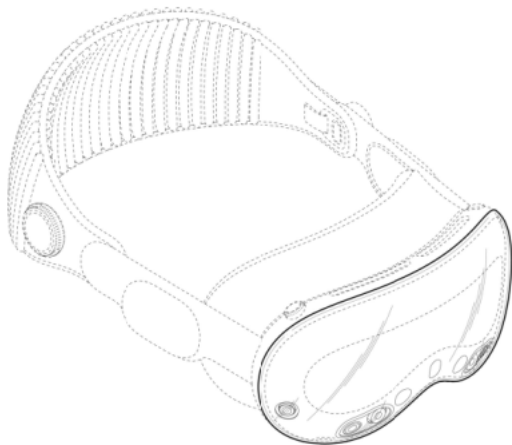
UNITED STATES OF AMERICA

[74] CLT PATENT & TRADEMARK (H.K.) LIMITED

Unit 09, 34/F., Office Tower, Convention Plaza,

1 Harbour Road, Wanchai,

Hong Kong



[11] 2423358.3M002

[15] 22-05-2024

[30] 22-11-2023 / US / 29/917,893

[51] Cl. 14-02

[54] 頭戴式顯示器

Head-mounted display

[73] 苹果公司

APPLE INC.

ONE APPLE PARK WAY, CUPERTINO,

CALIFORNIA,

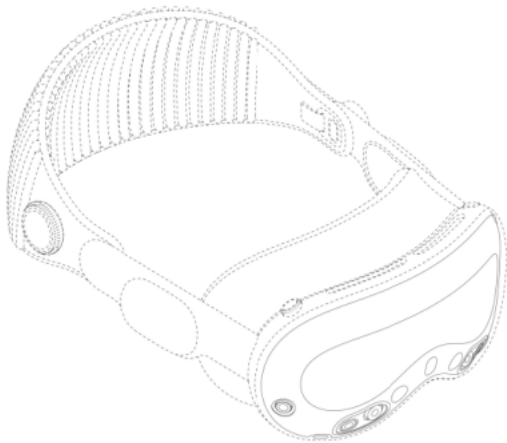
UNITED STATES OF AMERICA

[74] CLT PATENT & TRADEMARK (H.K.) LIMITED

Unit 09, 34/F., Office Tower, Convention Plaza,

1 Harbour Road, Wanchai,

Hong Kong



[11] 2423358.3M003

[15] 22-05-2024

[30] 22-11-2023 / US / 29/917,893

[51] Cl. 14-02

[54] 頭戴式顯示器

Head-mounted display

[73] 苹果公司

APPLE INC.

ONE APPLE PARK WAY, CUPERTINO,

CALIFORNIA,

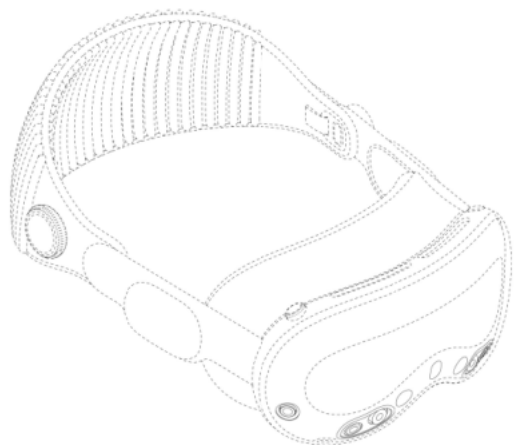
UNITED STATES OF AMERICA

[74] CLT PATENT & TRADEMARK (H.K.) LIMITED

Unit 09, 34/F., Office Tower, Convention Plaza,

1 Harbour Road, Wanchai,

Hong Kong



[11] 2423358.3M004

[15] 22-05-2024

[30] 22-11-2023 / US / 29/917,893

[51] Cl. 14-02

[54] 頭戴式顯示器

Head-mounted display

[73] 苹果公司

APPLE INC.

ONE APPLE PARK WAY, CUPERTINO,

CALIFORNIA,

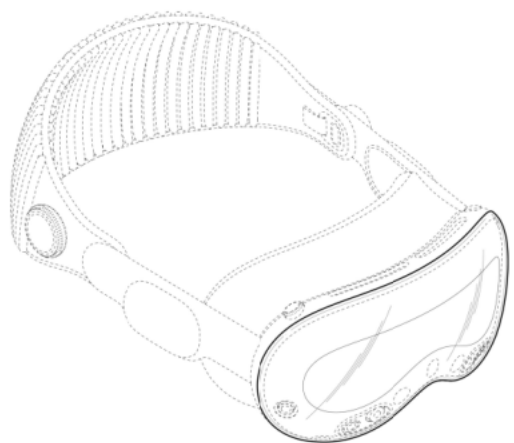
UNITED STATES OF AMERICA

[74] CLT PATENT & TRADEMARK (H.K.) LIMITED

Unit 09, 34/F., Office Tower, Convention Plaza,

1 Harbour Road, Wanchai,

Hong Kong



[11] 2423358.3M005

[15] 22-05-2024

[30] 22-11-2023 / US / 29/917,893

[51] Cl. 14-02

[54] 頭戴式顯示器

Head-mounted display

[73] 苹果公司

APPLE INC.

ONE APPLE PARK WAY, CUPERTINO,

CALIFORNIA,

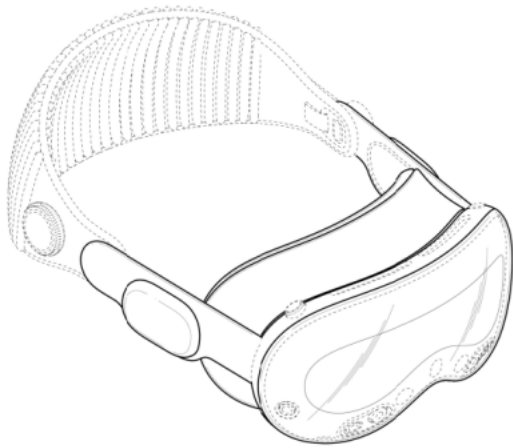
UNITED STATES OF AMERICA

[74] CLT PATENT & TRADEMARK (H.K.) LIMITED

Unit 09, 34/F., Office Tower, Convention Plaza,

1 Harbour Road, Wanchai,

Hong Kong



[11] 2423409.2M001

[15] 30-05-2024

[30] 30-11-2023 / US / 29/918,946

[51] Cl. 6-03

[54] 零售台

Retail fixture

[73] 苹果公司

APPLE INC.

ONE APPLE PARK WAY, CUPERTINO, CALIFORNIA,

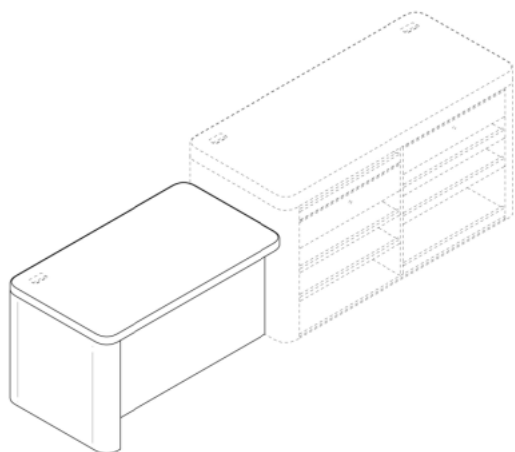
UNITED STATES OF AMERICA

[74] CLT PATENT & TRADEMARK (H.K.) LIMITED

Unit 09, 34/F., Office Tower, Convention Plaza,

1 Harbour Road, Wanchai,

Hong Kong



[11] 2423409.2M002

[15] 30-05-2024

[30] 30-11-2023 / US / 29/918,946

[51] Cl. 6-03

[54] 零售台

Retail fixture

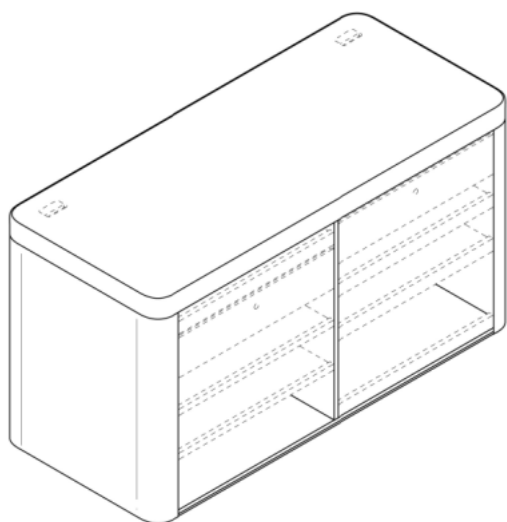
[73] 苹果公司

APPLE INC.

ONE APPLE PARK WAY, CUPERTINO, CALIFORNIA,
UNITED STATES OF AMERICA

[74] CLT PATENT & TRADEMARK (H.K.) LIMITED

Unit 09, 34/F., Office Tower, Convention Plaza,
1 Harbour Road, Wanchai,
Hong Kong



[11] 2423479.9

[15] 05-06-2024

[51] Cl. 9-01

[54] 化妝品用瓶

Bottle for cosmetics

[73] Shiseido Company, Limited

5-5, Ginza 7-chome, Chuo-ku, Tokyo 104-0061,
Japan

[74] MARKS & CLERK

Level 9, Cyberport 1,
100 Cyberport Road, Pok Fu Lam,
Hong Kong



[11] 2423487.6

[15] 06-06-2024

[30] 12-01-2024 / EU / 015047293-0002
12-01-2024 / EU / 015047293-0001

[51] Cl. 3-01

[54] 卡片套

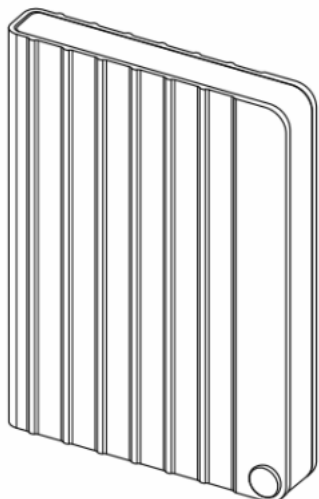
Card holder

[73] Rimowa GmbH

Richard-Byrd-Str. 13,
50829 Cologne,
Germany

[74] ROBIN BRIDGE & JOHN LIU

6th Floor, Emperor Commercial Centre,
39 Des Voeux Road Central,
Hong Kong



[11] 2423488.8

[15] 06-06-2024

[30] 07-12-2023 / AU / 202318240

[51] Cl. 8-08

[54] 托架

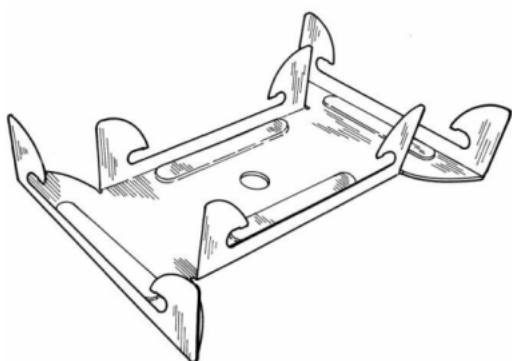
A bracket

[73] Glen Haydn Pring

PO Box 3198, Helensvale Town Centre,
Queensland, 4212,
Australia

[74] HK BAIRUI PATENT & TRADEMARK LIMITED

Room 1817, 18th V. Hen Building,
138 Queen's Road Central, Central,
Hong Kong

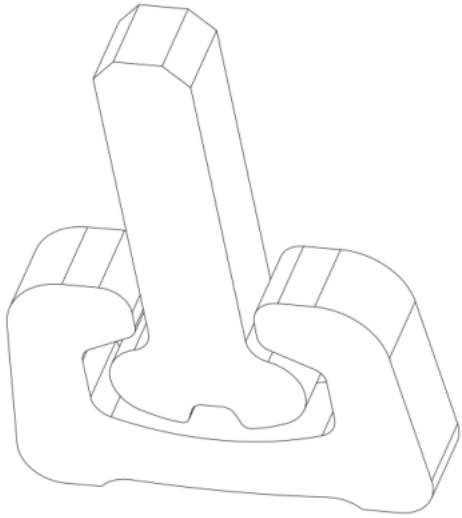


[11] 2423535.0

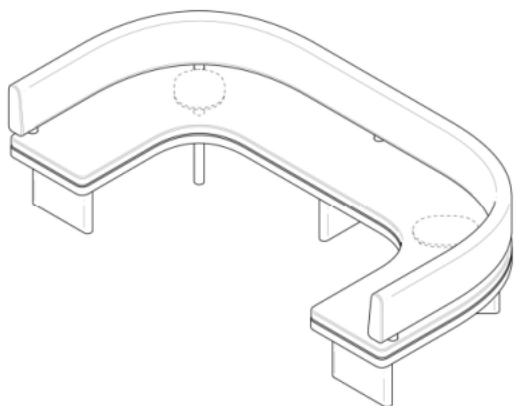
[15] 17-06-2024

[51] Cl. 8-07

- [54] 不銹鋼鎖扣離合器
Steel locking clutch
- [73] 成都淼兮科技有限公司
Chengdu Miaoqi Technology Co., Ltd
中國
(四川) 自由貿易試驗區成都高新區
劍南大道中段 555 號 7 棟 2 單元 22 層 2203 號
- [74] 旒貝國際知識產權代理有限公司
香港
新界白石角香港科學園
第三期科技大道西 12 號 2 樓 230 室



-
- [11] 2423572.7M001
- [15] 21-06-2024
- [30] 22-12-2023 / US / 29/922,594
- [51] Cl. 6-01
- [54] 長凳
Bench
- [73] 蘋果公司
APPLE INC.
One Apple Park Way, Cupertino,
California, 95014,
United States of America
- [74] CLT PATENT & TRADEMARK (H.K.) LIMITED
Unit 09, 34/F., Office Tower, Convention Plaza,
1 Harbour Road, Wanchai,
Hong Kong



[11] 2423572.7M002

[15] 21-06-2024

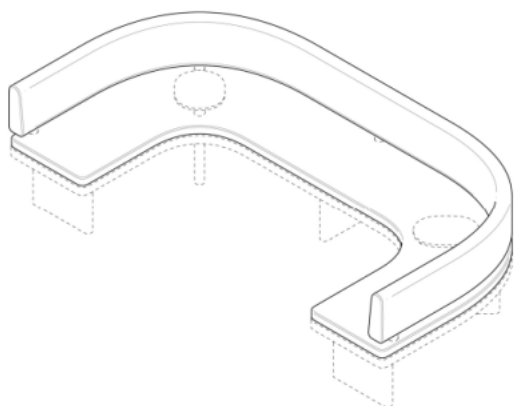
[30] 22-12-2023 / US / 29/922,594

[51] Cl. 6-01

[54] 長凳
Bench

[73] 苹果公司
APPLE INC.
One Apple Park Way, Cupertino,
California, 95014,
United States of America

[74] CLT PATENT & TRADEMARK (H.K.) LIMITED
Unit 09, 34/F., Office Tower, Convention Plaza,
1 Harbour Road, Wanchai,
Hong Kong



[11] 2423573.9M001

[15] 21-06-2024

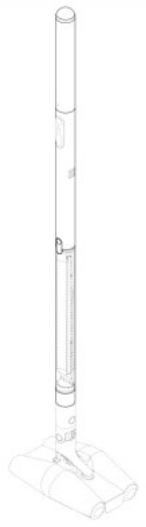
[30] 21-12-2023 / GB / 6334806

[51] Cl. 15-05

- [54] 吸塵機(工業或家庭)(部分)
Vacuum cleaners (industry or household) (part of-)
- [73] Dyson Technology Limited
Tetbury Hill, Malmesbury, Wiltshire, SN16 0RP,
United Kingdom
- [74] LIU, SHEN & ASSOCIATES
Room 3716, 37/F, Sun Hung Kai Centre,
30 Harbour Road, Wanchai,
Hong Kong



-
- [11] 2423573.9M002
- [15] 21-06-2024
- [30] 21-12-2023 / GB / 6334807
- [51] Cl. 15-05
- [54] 吸塵機(工業或家庭)(部分)
Vacuum cleaners (industry or household) (part of-)
- [73] Dyson Technology Limited
Tetbury Hill, Malmesbury, Wiltshire, SN16 0RP,
United Kingdom
- [74] LIU, SHEN & ASSOCIATES
Room 3716, 37/F, Sun Hung Kai Centre,
30 Harbour Road, Wanchai,
Hong Kong



[11] 2423573.9M003

[15] 21-06-2024

[30] 21-12-2023 / GB / 6334813

[51] Cl. 15-05

[54] 吸塵機(工業或家庭)(部分)

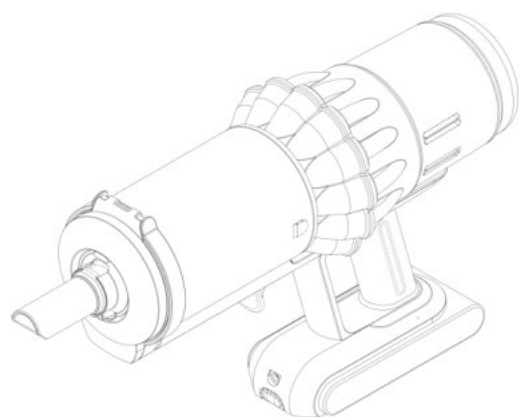
Vacuum cleaners (industry or household) (part of-)

[73] Dyson Technology Limited

Tetbury Hill, Malmesbury, Wiltshire, SN16 0RP,
United Kingdom

[74] LIU, SHEN & ASSOCIATES

Room 3716, 37/F, Sun Hung Kai Centre,
30 Harbour Road, Wanchai,
Hong Kong



[11] 2423573.9M004

[15] 21-06-2024

[30] 21-12-2023 / GB / 6334815

[51] Cl. 15-05

[54] 吸塵機(工業或家庭)(部分)

Vacuum cleaners (industry or household) (part of-)

[73] Dyson Technology Limited

Tetbury Hill, Malmesbury, Wiltshire, SN16 0RP,

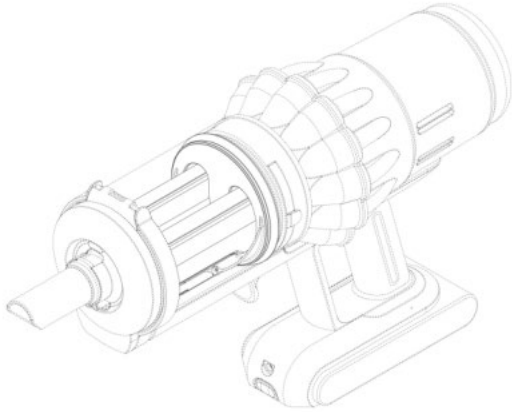
United Kingdom

[74] LIU, SHEN & ASSOCIATES

Room 3716, 37/F, Sun Hung Kai Centre,

30 Harbour Road, Wanchai,

Hong Kong



[11] 2423573.9M005

[15] 21-06-2024

[30] 25-04-2024 / GB / 6361811

[51] Cl. 15-05

[54] 清潔頭

A cleaner head

[73] Dyson Technology Limited

Tetbury Hill, Malmesbury, Wiltshire, SN16 0RP,

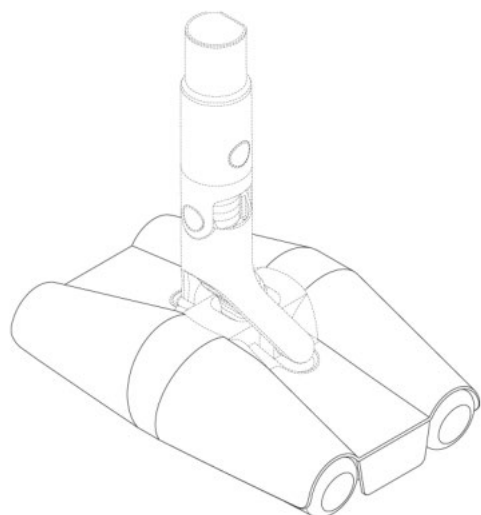
United Kingdom

[74] LIU, SHEN & ASSOCIATES

Room 3716, 37/F, Sun Hung Kai Centre,

30 Harbour Road, Wanchai,

Hong Kong



[11] 2423589.3

[15] 25-06-2024

[51] Cl. 2-03

[54] 帶面罩的消防頭盔

Fire helmet with face shield

[73] MSA Production France SAS

BP 903, Zone Industrielle Sud.,

01400 Chatillon sur Chalaronne,

France

[74] JONES DAY

31st Floor, Edinburgh Tower, The Landmark,

15 Queen's Road Central,

Hong Kong



[11] 2423590.5

[15] 25-06-2024

[51] Cl. 29-02

[54] 燈
Lamp

[73] MSA Production France SAS
BP 903, Zone Industrielle Sud.,
01400 Chatillon sur Chalaronne,
France

[74] JONES DAY
31st Floor, Edinburgh Tower, The Landmark,
15 Queen's Road Central,
Hong Kong



[11] 2423599.4

[15] 26-06-2024

[51] Cl. 14-01

[54] 耳機
Earphone

[73] 深圳市韶音科技有限公司
Shenzhen Shokz Co., Ltd.
中國
廣東省深圳市寶安區石岩街道浪心社區
山城工業區 26 棟廠房一層至四層，郵編 518108

[74] 中港知識產權有限公司
香港
灣仔告士打道 151 號資本中心 15 樓 1502 室



[11] 2423611.1M001

[15] 27-06-2024

[30] 27-12-2023 / US / 29/922,985

[51] Cl. 13-03

[54] 醫療設備的電極組件

Electrode assembly for treatment apparatus

[73] NOVOCURE GMBH

Park 6, Root D4,

CH-6039,

Switzerland

[74] CHINA PATENT AGENT (HONG KONG) LIMITED

22/F, Great Eagle Centre, 23 Harbour Road,

Wanchai,

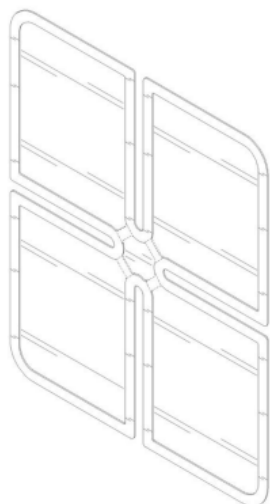
Hong Kong



- [11] 2423611.1M002
- [15] 27-06-2024
- [30] 27-12-2023 / US / 29/922,985
- [51] Cl. 13-03
- [54] 醫療設備的電極組件
Electrode assembly for treatment apparatus
- [73] NOVOCURE GMBH
Park 6, Root D4,
CH-6039,
Switzerland
- [74] CHINA PATENT AGENT (HONG KONG) LIMITED
22/F, Great Eagle Centre, 23 Harbour Road,
Wanchai,
Hong Kong



- [11] 2423611.1M003
- [15] 27-06-2024
- [30] 27-12-2023 / US / 29/922,985
- [51] Cl. 13-03
- [54] 醫療設備的電極組件
Electrode assembly for treatment apparatus
- [73] NOVOCURE GMBH
Park 6, Root D4,
CH-6039,
Switzerland
- [74] CHINA PATENT AGENT (HONG KONG) LIMITED
22/F, Great Eagle Centre, 23 Harbour Road,
Wanchai,
Hong Kong



[11] 2423611.1M004

[15] 27-06-2024

[30] 27-12-2023 / US / 29/922,985

[51] Cl. 13-03

[54] 醫療設備的電極組件

Electrode assembly for treatment apparatus

[73] NOVOCURE GMBH

Park 6, Root D4,

CH-6039,

Switzerland

[74] CHINA PATENT AGENT (HONG KONG) LIMITED

22/F, Great Eagle Centre, 23 Harbour Road,

Wanchai,

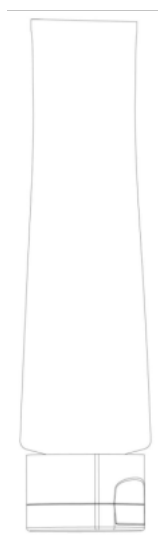
Hong Kong



- [11] 2423611.1M005
[15] 27-06-2024
[30] 27-12-2023 / US / 29/922,985
[51] C1. 13-03
[54] 醫療設備的電極組件
Electrode assembly for treatment apparatus
[73] NOVOCURE GMBH
Park 6, Root D4,
CH-6039,
Switzerland
[74] CHINA PATENT AGENT (HONG KONG) LIMITED
22/F, Great Eagle Centre, 23 Harbour Road,
Wanchai,
Hong Kong



-
- [11] 2423612.3
[15] 27-06-2024
[30] 28-12-2023 / CN / 2023308617955
[51] C1. 9-01
[54] 包裝用容器
Packaging container
[73] 株式会社资生堂
SHISEIDO COMPANY, LIMITED
日本
东京都中央区银座 7-5-5
[74] 誠通專利商標(香港)有限公司
香港
灣仔港灣道 1 號
會展廣場辦公大樓 34 樓 09 室



[11] 2423614.7

[15] 28-06-2024

[30] 28-12-2023 / JP / 2023-027382

[51] Cl. 23-04

[54] 空調風向調節板

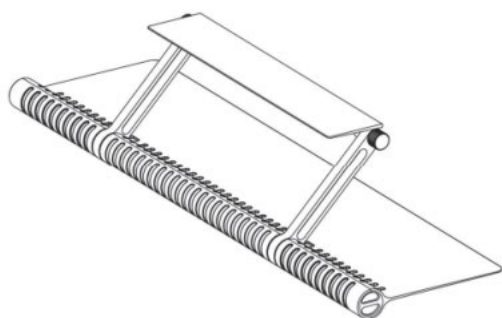
Wind direction altering plates for air-conditioners

[73] DAIAN SERVICE INC.

5-23-3, Nishigotanda,
Shinagawa-ku, Tokyo,
Japan

[74] CHINA PATENT AGENT (HONG KONG) LIMITED

22/F, Great Eagle Centre, 23 Harbour Road,
Wanchai,
Hong Kong



[11] 2423615.0

[15] 28-06-2024

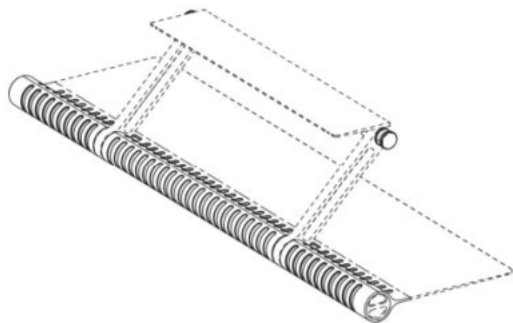
[30] 28-12-2023 / JP / 2023-027383

[51] Cl. 23-04

[54] 空調風向調節板
Wind direction altering plates for air-conditioners

[73] DAIAN SERVICE INC.
5-23-3, Nishigotanda,
Shinagawa-ku, Tokyo,
Japan

[74] CHINA PATENT AGENT (HONG KONG) LIMITED
22/F, Great Eagle Centre, 23 Harbour Road,
Wanchai,
Hong Kong



[11] 2423616.2

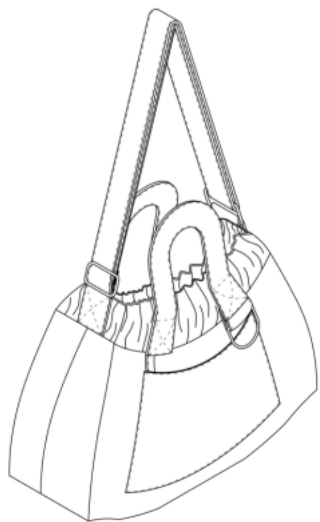
[15] 28-06-2024

[51] Cl. 3-01

[54] 包
Bag

[73] BTV GROUP PTE. LTD.
2 Alexandra Road #06-03, Delta House,
Singapore 159919,
Singapore

[74] ACCOLADE IP LIMITED
10/F, Fu Fai Comm. Ctr.,
27 Hillier Street, Sheung Wan,
Hong Kong



[11] 2423618.6

[15] 28-06-2024

[51] C1. 20-02

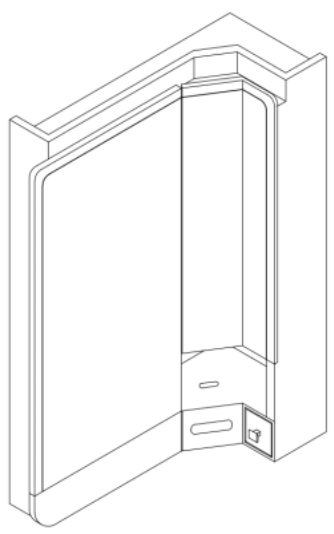
[54] 珠寶展示設備
Jewelry display device

[73] 深圳市上源藝術設計有限公司
中國
深圳市羅湖區翠竹街道水貝二路特力珠寶大廈
B座 17層 1701-11

[74] 天標知識產權代理有限公司
香港
九龍尖沙咀加連威老道 14 號
加連威大廈 4 樓 A 座



- [11] 2423619.8
[15] 28-06-2024
[51] Cl. 6-04
[54] 櫃
Cabinet
[73] New World Development Company Limited
30th Floor, New World Tower,
18 Queen's Road Central,
Hong Kong
[74] MARKS & CLERK
Level 9, Cyberport 1,
100 Cyberport Road, Pok Fu Lam,
Hong Kong



-
- [11] 2423622.4
[15] 02-07-2024
[51] Cl. 9-01
[54] 包裝用容器
Packaging container
[73] 客樂譜株式會社
Kracie, Ltd.
20-20, Kaigan 3-chome, Minato-ku, Tokyo,
Japan
[74] UNION PATENT SERVICE CENTRE
Units E-F, 20th Floor, Neich Tower,
128 Gloucester Road,
Hong Kong



[11] 2423623.6

[15] 02-07-2024

[51] Cl. 9-01

[54] 包裝用容器
Packaging container

[73] 客樂譜株式會社
Kracie, Ltd.
20-20, Kaigan 3-chome, Minato-ku, Tokyo,
Japan

[74] UNION PATENT SERVICE CENTRE
Units E-F, 20th Floor, Neich Tower,
128 Gloucester Road,
Hong Kong



[11] 2423624.8

[15] 02-07-2024

[51] Cl. 9-05

[54] 包裝用袋
Packaging bag

[73] 客樂譜株式會社
Kracie, Ltd.

20-20, Kaigan 3-chome, Minato-ku, Tokyo,
Japan

[74] UNION PATENT SERVICE CENTRE
Units E-F, 20th Floor, Neich Tower,
128 Gloucester Road,
Hong Kong



[11] 2423625.1

[15] 02-07-2024

[51] Cl. 9-01

[54] 包裝用容器
Packaging container

[73] 客樂譜株式會社
Kracie, Ltd.
20-20, Kaigan 3-chome, Minato-ku, Tokyo,
Japan

[74] UNION PATENT SERVICE CENTRE
Units E-F, 20th Floor, Neich Tower,
128 Gloucester Road,
Hong Kong



[11] 2423631.3

- [15] 03-07-2024
- [30] 08-01-2024 / EU / 015046648-0001
- [51] Cl. 3-01
- [54] 袋
Bag
- [73] S.A.S. JEAN CASSEGRAIN
43 rue Vineuse,
75116 PARIS,
FRANCE
- [74] BAKER & MCKENZIE
14TH FLOOR, ONE TAIKOO PLACE,
979 KING'S ROAD, QUARRY BAY,
HONG KONG



-
- [11] 2423632.5
- [15] 03-07-2024
- [30] 08-01-2024 / EU / 015046648-0002
- [51] Cl. 3-01
- [54] 袋
Bag
- [73] S.A.S. JEAN CASSEGRAIN
43 rue Vineuse,
75116 PARIS,
FRANCE
- [74] BAKER & MCKENZIE
14TH FLOOR, ONE TAIKOO PLACE,
979 KING'S ROAD, QUARRY BAY,
HONG KONG



[11] 2423637.6

[15] 03-07-2024

[51] Cl. 9-03

[54] 包裝盒
Packing box

[73] 李少志
LEE, Siu Chi
香港

新界荃灣白田霸街 53-61 號華偉工業大廈 2 樓 20 室

[74] 卓遠知識產權有限公司
香港
上環禧利街 27 號
富輝商業中心 10 樓



[11] 2423638.8

[15] 03-07-2024

[51] Cl. 9-03

- [54] 包裝盒
Packaging box
- [73] 龍豐藥業(集團)有限公司
LUNG FUNG PHARMACEUTICAL (GROUP) LIMITED
香港
新界粉嶺業暢街 23 號
龍豐集團中心 1 樓&5 樓
- [74] 易註知識產權有限公司
香港
灣仔軒尼詩道 8 號
中港大廈 14 樓



- [11] 2423641.4
- [15] 04-07-2024
- [30] 09-01-2024 / CN / 202430011839X
- [51] Cl. 25-01
- [54] 隔音墊
Sound insulation cushion
- [73] 佛山市利通帆蓬有限公司
LiTong Fanpeng Co.,LTD
中國
广东省佛山市南海区
大沥镇钟边大道南 66 号, 528208
- [74] 百睿知識產權有限公司
香港
新界沙田香港科學園
科技大道西 10 號浚湖樓 617 室



[11] 2423642.6

[15] 05-07-2024

[30] 15-02-2024 / JP / 2024-003150

[51] Cl. 21-01

[54] 建築形玩具盒

Building shaped toy box

[73] 株式會社萬代

BANDAI CO., LTD.

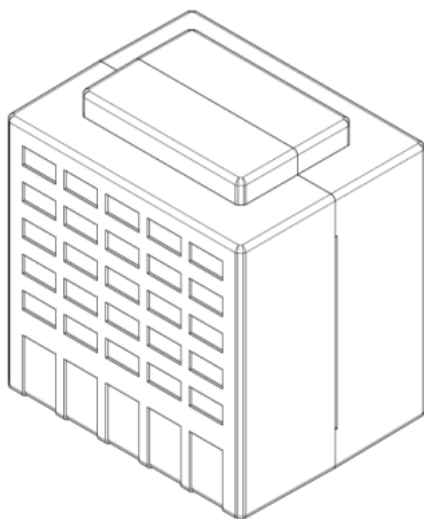
4-8, Komagata 1-chome, Taito-ku, Tokyo,
Japan

[74] 范紀羅江律師行

香港

灣仔港灣道 6-8 號

瑞安中心 23 樓



[11] 2423643.8

[15] 05-07-2024

[30] 15-02-2024 / JP / 2024-003151

[51] Cl. 21-01

[54] 建築形玩具盒

Building shaped toy box

[73] 株式會社萬代

BANDAI CO., LTD.

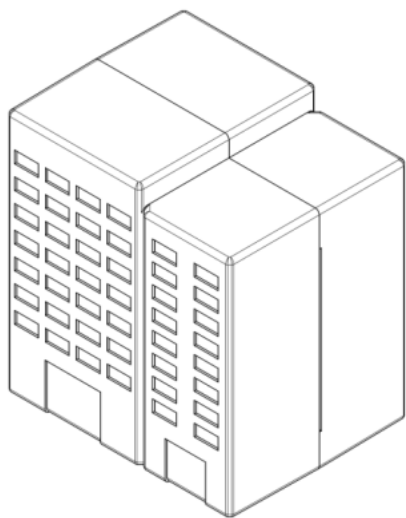
4-8, Komagata 1-chome, Taito-ku, Tokyo,
Japan

[74] 范紀羅江律師行

香港

灣仔港灣道 6-8 號

瑞安中心 23 樓



[11] 2423644.0

[15] 05-07-2024

[30] 15-02-2024 / JP / 2024-003152

[51] C1. 21-01

[54] 建築形玩具盒

Building shaped toy box

[73] 株式會社萬代

BANDAI CO., LTD.

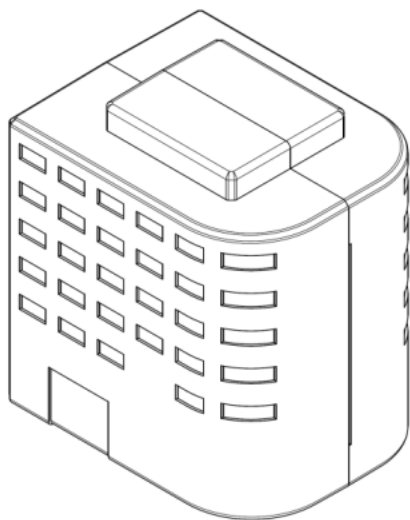
4-8, Komagata 1-chome, Taito-ku, Tokyo,
Japan

[74] 范紀羅江律師行

香港

灣仔港灣道 6-8 號

瑞安中心 23 樓



[11] 2423649.1

[15] 08-07-2024

[51] C1. 13-02

[54] 三合一折疊磁吸無線充電座

3 in 1 folding magnetic wireless charging stand

[73] 創新產品有限公司

INNOVATION PRODUCTS LIMITED

Flat/RM 1903, 19/F, ELITE CENTRE,

22 HUNG TO ROAD, KWUN TONG, KOWLOON,

HONG KONG

[74] INNOVATION PRODUCTS LIMITED (創新產品有限公司)

Flat/RM 1903, 19/F, ELITE CENTRE,

22 HUNG TO ROAD, KWUN TONG, KOWLOON,

HONG KONG



[11] 2423652.7M001

[15] 08-07-2024

[51] Cl. 14-03

[54] 護照追蹤設備

Passport tracking device

[73] 創新產品有限公司

INNOVATION PRODUCTS LIMITED

Flat/RM 1903, 19/F, ELITE CENTRE,

22 HUNG TO ROAD, KWUN TONG, KOWLOON,

HONG KONG

[74] INNOVATION PRODUCTS LIMITED (創新產品有限公司)

Flat/RM 1903, 19/F, ELITE CENTRE,

22 HUNG TO ROAD, KWUN TONG, KOWLOON,

HONG KONG



[11] 2423652.7M002

[15] 08-07-2024

[51] Cl. 14-03

[54] 護照追蹤設備

Passport tracking device

[73] 創新產品有限公司

INNOVATION PRODUCTS LIMITED

Flat/RM 1903, 19/F, ELITE CENTRE,

22 HUNG TO ROAD, KWUN TONG, KOWLOON,

HONG KONG

[74] INNOVATION PRODUCTS LIMITED (創新產品有限公司)

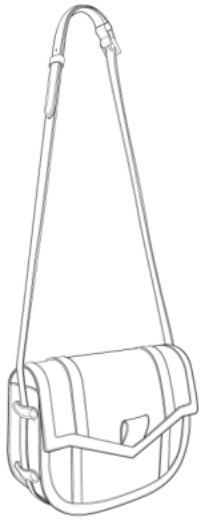
Flat/RM 1903, 19/F, ELITE CENTRE,

22 HUNG TO ROAD, KWUN TONG, KOWLOON,

HONG KONG



- [11] 2423653.9
[15] 08-07-2024
[30] 17-01-2024 / CA, MA, CN, SG, TN, TR, GB, US, EU, JP, KR /
DM/235055
[51] Cl. 3-01
[54] 手提包
Handbag
[73] MOYNAT PARIS SAS
348, rue Saint Honoré,
75001 PARIS,
FRANCE
[74] WENPING PATENT & TRADE MARK AGENT LIMITED
1701 Tung Wai Commercial Building,
111 Gloucester Road,
Hong Kong



-
- [11] 2423654.1
[15] 08-07-2024
[30] 17-01-2024 / CA, MA, CN, SG, TN, TR, GB, US, EU, JP, KR /
DM/235053
[51] Cl. 3-01
[54] 手提包
Handbag
[73] MOYNAT PARIS SAS
348, rue Saint Honoré,
75001 PARIS,
FRANCE
[74] WENPING PATENT & TRADE MARK AGENT LIMITED
1701 Tung Wai Commercial Building,

111 Gloucester Road,
Hong Kong



[11] 2423655.4

[15] 08-07-2024

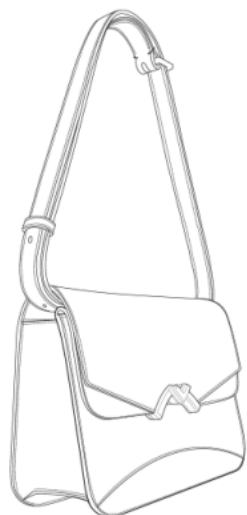
[30] 26-01-2024 / CA, MA, CN, SG, TN, TR, GB, US, EU, JP, KR /
DM/235052

[51] Cl. 3-01

[54] 手提包
Handbag

[73] MOYNAT PARIS SAS
348, rue Saint Honoré,
75001 PARIS,
FRANCE

[74] WENPING PATENT & TRADE MARK AGENT LIMITED
1701 Tung Wai Commercial Building,
111 Gloucester Road,
Hong Kong



[11] 2423656.6

[15] 08-07-2024

[30] 17-01-2024 / CA, MA, CN, SG, TN, TR, GB, US, EU, JP, KR /
DM/235051

[51] Cl. 3-01

[54] 手提包

Handbag

[73] MOYNAT PARIS SAS

348, rue Saint Honoré,

75001 PARIS,

FRANCE

[74] WENPING PATENT & TRADE MARK AGENT LIMITED

1701 Tung Wai Commercial Building,

111 Gloucester Road,

Hong Kong



[11] 2423657.8

[15] 08-07-2024

[30] 17-01-2024 / CA, MA, CN, SG, TN, TR, GB, US, EU, JP, KR /
DM/235049

[51] Cl. 3-01

[54] 手提包

Handbag

[73] MOYNAT PARIS SAS

348, rue Saint Honoré,

75001 PARIS,

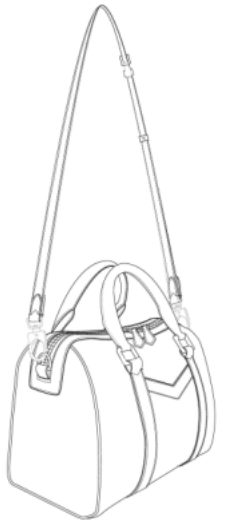
FRANCE

[74] WENPING PATENT & TRADE MARK AGENT LIMITED

1701 Tung Wai Commercial Building,

111 Gloucester Road,

Hong Kong



[11] 2423658.0

[15] 08-07-2024

[30] 17-01-2024 / CA, MA, CN, SG, TN, TR, GB, US, EU, JP, KR /
DM/235048

[51] Cl. 3-01

[54] 手提包

Handbag

[73] MOYNAT PARIS SAS

348, rue Saint Honoré,

75001 PARIS,

FRANCE

[74] WENPING PATENT & TRADE MARK AGENT LIMITED

1701 Tung Wai Commercial Building,

111 Gloucester Road,
Hong Kong



[11] 2423659.2

[15] 08-07-2024

[30] 11-01-2024 / CA, MA, CN, SG, TN, TR, GB, US, EU, JP, KR /
DM/235047

[51] Cl. 3-01

[54] 手提包
Handbag

[73] MOYNAT PARIS SAS
348, rue Saint Honoré,
75001 PARIS,
FRANCE

[74] WENPING PATENT & TRADE MARK AGENT LIMITED
1701 Tung Wai Commercial Building,
111 Gloucester Road,
Hong Kong



[11] 2423672.9

[15] 11-07-2024

[51] Cl. 14-01

[54] 耳機

Earphone

[73] 餘泰電子有限公司

KINERA ELECTRONIC CO., LIMITED

香港

九龍旺角彌敦道 610 號荷李活廣場

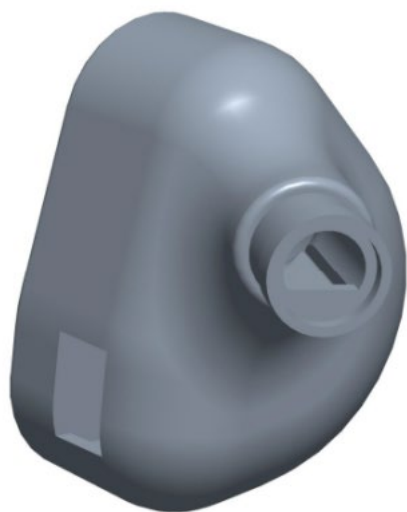
13 樓 1318-19 室

[74] 旻貝國際知識產權代理有限公司

香港

新界白石角香港科學園

第三期科技大道西 12 號 2 樓 230 室



[11] 2423679.4

[15] 12-07-2024

[51] Cl. 3-01

[54] 磁吸保護殼

Protective case with magnetic

[73] 創新產品有限公司

INNOVATION PRODUCTS LIMITED

Flat/RM 1903, 19/F, ELITE CENTRE,

22 HUNG TO ROAD, KWUN TONG, KOWLOON,

HONG KONG

[74] INNOVATION PRODUCTS LIMITED (創新產品有限公司)

Flat/RM 1903, 19/F, ELITE CENTRE,

22 HUNG TO ROAD, KWUN TONG, KOWLOON,

HONG KONG



[11] 2423681.8

[15] 12-07-2024

[51] Cl. 28-03

[54] 瘦身儀

Body shaping instrument

[73] LINKS COMPANY LIMITED

CAPITALCOAT 1F, MIDORI CHOU 4-7-14,

TOKOROZAWA SI, SAITAMA KEN, 359-1111,

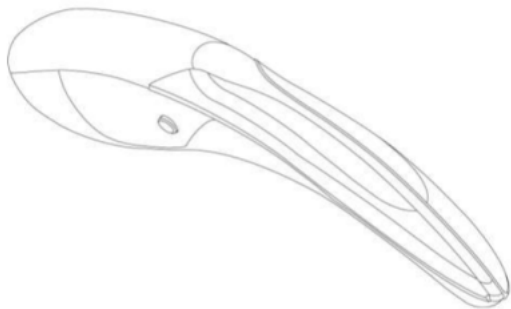
JAPAN

[74] CHINAHONGKONG IP LIMITED

1502, 15/F, Capital Centre,

151 Gloucester Road, Wanchai,

Hong Kong



[11] 2423706.3

[15] 16-07-2024

[51] C1. 23-06

[54] 雙浴缸

Double bathtub

[73] 深圳市海文深生物科技有限公司

Shenzhen Curanjon Biology Technology Co., Ltd

中國

深圳市龙岗区平湖街道禾花社区华南大道1号

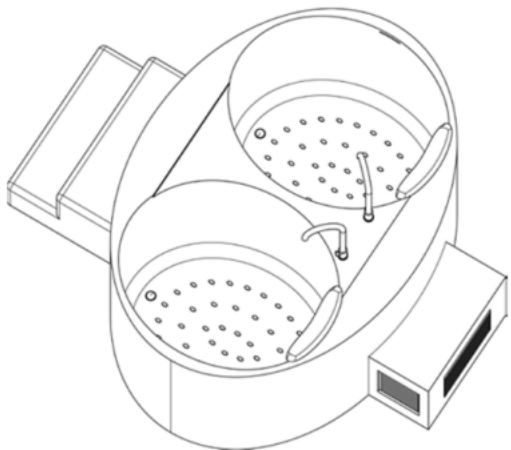
华南国际印刷纸品包装物流区二期2号楼A902

[74] 卓遠知識產權有限公司

香港

上環禧利街27號

富輝商業中心10樓



[11] 2423710.1

[15] 17-07-2024

[51] C1. 7-01

[54] 杯蓋

Cup lid

[73] 環保園集團有限公司
ECO-PARK HOLDINGS LIMITED
香港
新界荃灣橫龍街 43-47 號
龍力工業大廈 23 樓 4 室

[74] 天標知識產權代理有限公司
香港
九龍尖沙咀加連威老道 14 號
加連威大廈 4 樓 A 座



[11] 2423711.3

[15] 17-07-2024

[51] Cl. 14-03

[54] 卡形追蹤設備
Card tracking device

[73] 創新產品有限公司
INNOVATION PRODUCTS LIMITED
Flat/RM 1903, 19/F, ELITE CENTRE,
22 HUNG TO ROAD, KWUN TONG, KOWLOON,
HONG KONG

[74] INNOVATION PRODUCTS LIMITED (創新產品有限公司)
Flat/RM 1903, 19/F, ELITE CENTRE,
22 HUNG TO ROAD, KWUN TONG, KOWLOON,
HONG KONG



[11] 2423714.9

[15] 18-07-2024

[30] 19-01-2024 / US / 29/924,745

[51] Cl. 14-02

[54] 頭戴式顯示器

Head-mounted display

[73] 苹果公司

APPLE INC.

One Apple Park Way, Cupertino, California, 95014,
United States of America

[74] CLT PATENT & TRADEMARK (H.K.) LIMITED

Unit 09, 34/F., Office Tower, Convention Plaza,
1 Harbour Road, Wanchai,
Hong Kong



[11] 2423719.0M001

[15] 18-07-2024

[30] 19-01-2024 / US / 29/924,751

[51] Cl. 14-02

[54] 用於頭戴式顯示器的箍帶

Band for head-mounted display

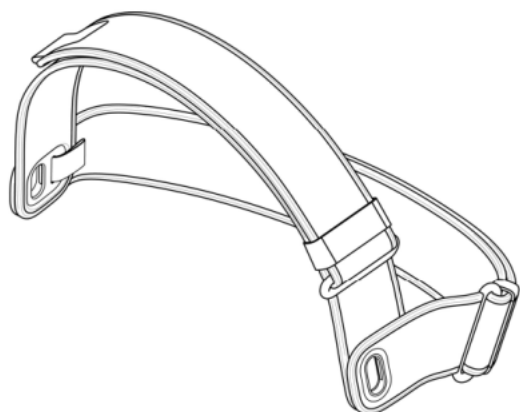
[73] 苹果公司

APPLE INC.

One Apple Park Way, Cupertino, California, 95014,
United States of America

[74] CLT PATENT & TRADEMARK (H.K.) LIMITED

Unit 09, 34/F., Office Tower, Convention Plaza,
1 Harbour Road, Wanchai,
Hong Kong



[11] 2423719.0M002

[15] 18-07-2024

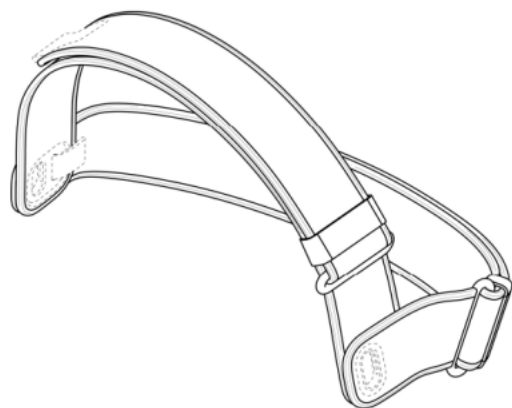
[30] 19-01-2024 / US / 29/924,751

[51] Cl. 14-02

[54] 用於頭戴式顯示器的箍帶
Band for head-mounted display

[73] 苹果公司
APPLE INC.
One Apple Park Way, Cupertino, California, 95014,
United States of America

[74] CLT PATENT & TRADEMARK (H.K.) LIMITED
Unit 09, 34/F., Office Tower, Convention Plaza,
1 Harbour Road, Wanchai,
Hong Kong



[11] 2423719.0M003

[15] 18-07-2024

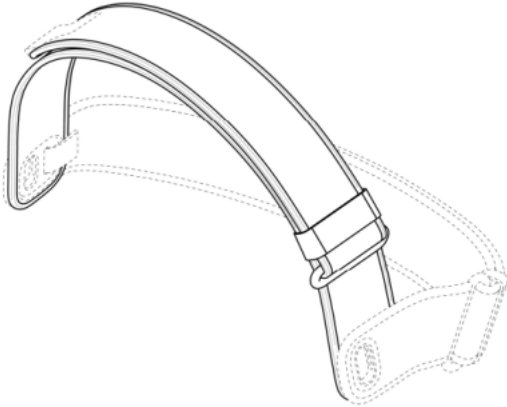
[30] 19-01-2024 / US / 29/924,751

[51] Cl. 14-02

[54] 用於頭戴式顯示器的箍帶
Band for head-mounted display

[73] 苹果公司
APPLE INC.
One Apple Park Way, Cupertino, California, 95014,
United States of America

[74] CLT PATENT & TRADEMARK (H.K.) LIMITED
Unit 09, 34/F., Office Tower, Convention Plaza,
1 Harbour Road, Wanchai,
Hong Kong



[11] 2423719.0M004

[15] 18-07-2024

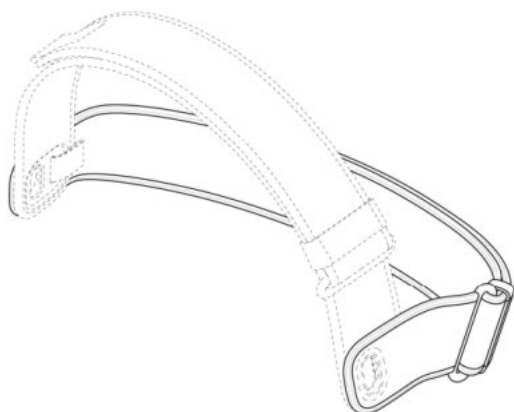
[30] 19-01-2024 / US / 29/924,751

[51] Cl. 14-02

[54] 用於頭戴式顯示器的箍帶
Band for head-mounted display

[73] 苹果公司
APPLE INC.
One Apple Park Way, Cupertino, California, 95014,
United States of America

[74] CLT PATENT & TRADEMARK (H.K.) LIMITED
Unit 09, 34/F., Office Tower, Convention Plaza,
1 Harbour Road, Wanchai,
Hong Kong



[11] 2423721.4

[15] 18-07-2024

[51] Cl. 6-01

[54] 椅子

Chair

[73] 波特維 (香港) 有限公司

POTTVIP (HONG KONG) LIMITED

FLAT/RM 2106, 21/F, HONG KONG PLAZA,

188 CONNAUGHT RD W,

SHEK TONG TSUI, WESTERN DISTRICT,

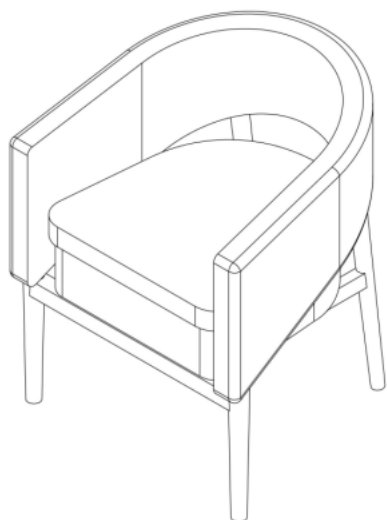
HONG KONG

[74] ACCOLADE IP LIMITED

10/F, Fu Fai Comm. Ctr.,

27 Hillier Street, Sheung Wan,

Hong Kong



[11] 2423725.3

[15] 19-07-2024

[51] Cl. 20-02

[54] 飾物陳列裝置

Ornament display device

[73] 六福集團有限公司

Luk Fook Holdings Company Limited

15th, 20th, 25th & 27th Floor, Metropole Square,

No.2 On Yiu Street, Shatin, New Territories,

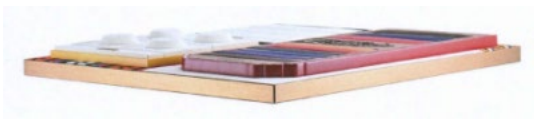
Hong Kong

[74] Luk Fook Holdings Company Limited (Legal Affairs Department)

Floor 25, Metropole Square,

No.2 On Yiu Street, Shatin, New Territories,

Hong Kong



[11] 2423741.6

[15] 23-07-2024

[51] Cl. 11-01

[54] 飾物設計

Ornament design

[73] 六福集團有限公司

Luk Fook Holdings Company Limited

15th, 20th, 25th & 27th Floor, Metropole Square,

No.2 On Yiu Street, Shatin, New Territories,

Hong Kong

[74] Luk Fook Holdings Company Limited (Legal Affairs Department)

Floor 25, Metropole Square,

No.2 On Yiu Street, Shatin, New Territories,

Hong Kong



- [11] 2423746.7
[15] 23-07-2024
[51] Cl. 9-03
[54] 包裝盒
Packing box
[73] 華人藥業(香港)有限公司
香港
觀塘開源道 60 號
駱駝漆大廈 3 座 7 樓 Q 室
[74] 華人藥業(香港)有限公司
香港
觀塘開源道 60 號
駱駝漆大廈 3 座 7 樓 Q 室



- [11] 2423753.1
[15] 24-07-2024
[51] Cl. 9-01
[54] 包裝瓶
Packaging bottles
[73] 小主控股有限公司
Your Ladyship Holdings Co., Limited
UNIT 1507B, 15/F, EASTCORE,
398 KWUN TONG ROAD, KWUN TONG,
KOWLOON CITY DISTRICT,
HONG KONG
[74] LOTUT (HK) LIMITED
香港

上水廣場 21 樓 2113 室 RM 869

新界上水龍琛路 39 號



[11] 2423754.3M001

[15] 24-07-2024

[30] 15-03-2024 / KH, CA, EG, AM, AZ, BZ, BA, GE, LI, MK, MD, MC, MN, ME, MA, NO, OM, RS, SG, CH, TN, TR, UA, GB, VN, EU, AL, IL, KR, KG / DM/238 492

[51] Cl. 10-02

[54] 錶

Watch

[73] OMEGA SA (OMEGA AG) (OMEGA LTD.)

Jakob-Stämpfli-Strasse 96,

CH-2502 Biel/Bienne,

Switzerland

[74] SPRUSON & FERGUSON (HONG KONG) LIMITED

5001 Hopewell Centre,

183 Queen's Road East, Wan Chai,

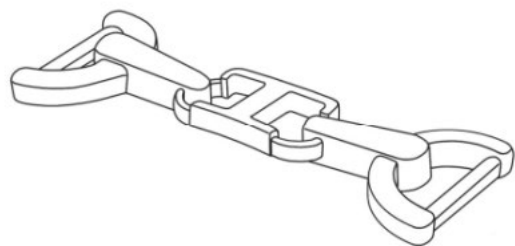
Hong Kong



- [11] 2423754.3M002
- [15] 24-07-2024
- [30] 15-03-2024 / KH, CA, EG, AM, AZ, BZ, BA, GE, LI, MK, MD, MC, MN, ME, MA, NO, OM, RS, SG, CH, TN, TR, UA, GB, VN, EU, AL, IL, KR, KG / DM/238 492
- [51] Cl. 10-02
- [54] 錶
Watch
- [73] OMEGA SA (OMEGA AG) (OMEGA LTD.)
Jakob-Stämpfli-Strasse 96,
CH-2502 Biel/Bienne,
Switzerland
- [74] SPRUSON & FERGUSON (HONG KONG) LIMITED
5001 Hopewell Centre,
183 Queen's Road East, Wan Chai,
Hong Kong



-
- [11] 2423758.2
- [15] 26-07-2024
- [30] 02-02-2024 / EU / 015049496
- [51] Cl. 2-07
- [54] 搭扣
Buckle
- [73] TOD'S S.P.A.
Via Filippo Della Valle 1,
I-63811 SANT'ELPIDIO A MARE (Fermo),
ITALY
- [74] CHINA PATENT AGENT (HONG KONG) LIMITED
22/F, Great Eagle Centre,
23 Harbour Road, Wanchai,
Hong Kong



[11] 2423761.8

[15] 26-07-2024

[51] Cl. 27-07

[54] 電子煙

Electronic cigarette

[73] 萊芙科技有限公司

LAIFU TECHNOLOGY LIMITED

香港

九龍尖沙咀漆咸道南 45-51 號

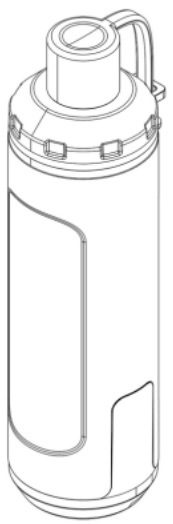
其士大廈 803 室

[74] 凱鳴知識產權（香港）有限公司

香港

九龍新蒲崗太子道東 706 號

太子工業大廈 10 樓 A 室 A22



[11] 2423765.7

[15] 26-07-2024

[51] Cl. 3-01

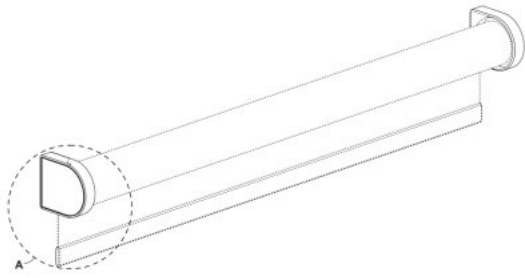
[54] 拉桿箱

Suitcase

- [73] 周伟强
WEI QIANG ZHOU
加拿大
不列颠哥伦比亚省
温哥华东 24 街 2729 号
- [74] 普潤知識產權 (香港) 有限公司
香港
銅鑼灣怡和街 28 號
恒生銅鑼灣大廈 12 樓 B 室



- [11] 2423767.1M001
- [15] 27-07-2024
- [30] 01-02-2024 / US / 29/926,936
- [51] Cl. 8-08
- [54] 用於窗上用品的托架
Bracket applied to a window treatment
- [73] LUTRON TECHNOLOGY COMPANY LLC
7200 Suter Road,
Coopersburg, PA 18036,
UNITED STATES OF AMERICA
- [74] CHINA SINDA INTELLECTUAL PROPERTY LIMITED
Unit 1703, 17/F, World-Wide House,
19 Des Voeux Road Central,
Hong Kong



[11] 2423767.1M002

[15] 27-07-2024

[30] 01-02-2024 / US / 29/926,936

[51] Cl. 8-08

[54] 用於窗上用品的托架

Bracket applied to a window treatment

[73] LUTRON TECHNOLOGY COMPANY LLC

7200 Suter Road,

Coopersburg, PA 18036,

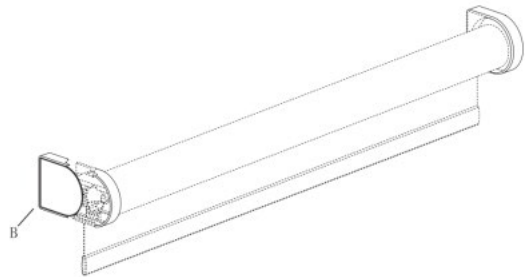
UNITED STATES OF AMERICA

[74] CHINA SINDA INTELLECTUAL PROPERTY LIMITED

Unit 1703, 17/F, World-Wide House,

19 Des Voeux Road Central,

Hong Kong



[11] 2423769.5

[15] 29-07-2024

[51] Cl. 10-04

[54] 磅

Weighing scale

[73] Kologn Industrial Company Limited

Flat B, 10/F., Yun Kai Building,

466-472 Nathan Road,

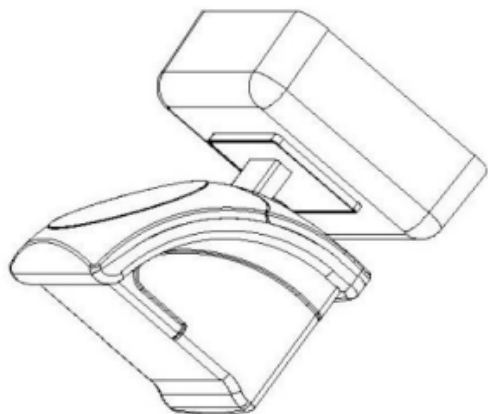
Yau Ma Tei, Kowloon,

HONG KONG

[74] GLOBAL ZEN IP SERVICES LIMITED

Room 1707, 17th Floor, Beverly House,

93-107 Lockhart Road, Wanchai,
Hong Kong



[11] 2423793.5M001

[15] 01-08-2024

[51] Cl. 19-08

[54] 包裝標貼
Packaging label

[73] 陳德鴻
CHAN Tak Hung
Room C, 13/F, Block 2, Vigor Industrial Building,
49 Ta Chuen Ping Street, Kwai Chung,
New Territories, Hong Kong

[74] ACCOLADE IP LIMITED
10/F, Fu Fai Comm. Ctr.,
27 Hillier Street, Sheung Wan,
Hong Kong



[11] 2423793.5M002

[15] 01-08-2024

[51] Cl. 19-08

[54] 包裝標貼

Packaging label

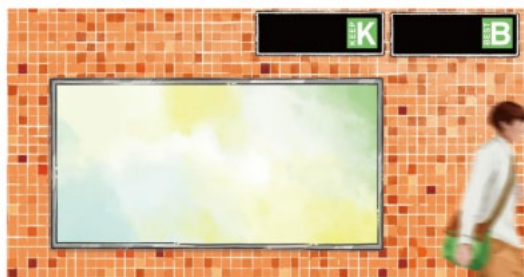
[73] 陳德鴻

CHAN Tak Hung

Room C, 13/F, Block 2, Vigor Industrial Building,
49 Ta Chuen Ping Street, Kwai Chung,
New Territories, Hong Kong

[74] ACCOLADE IP LIMITED

10/F, Fu Fai Comm. Ctr.,
27 Hillier Street, Sheung Wan,
Hong Kong



[11] 2423794.7

[15] 01-08-2024

[30] 26-02-2024 / MA, NO, OM, SG, CH, TN, TR, UA, GB, EU, AL /
DM/235 758

[51] Cl. 10-02

[54] 手錶

Wristwatch

[73] SWATCH AG (SWATCH SA) (SWATCH LTD.)

Nicolas G. Hayek Strasse 1,
2502 Biel/Bienne,
SWITZERLAND

[74] SPRUSON & FERGUSON (HONG KONG) LIMITED

5001 Hopewell Centre,
183 Queen's Road East, Wan Chai,
Hong Kong



[11] 2423795.0

[15] 01-08-2024

[30] 26-02-2024 / MA, NO, OM, SG, CH, TN, TR, UA, GB, EU, AL /
DM/235 792

[51] Cl. 10-02

[54] 手錶

Wristwatch

[73] SWATCH AG (SWATCH SA) (SWATCH LTD.)

Nicolas G. Hayek Strasse 1,
2502 Biel/Bienne,
SWITZERLAND

[74] SPRUSON & FERGUSON (HONG KONG) LIMITED

5001 Hopewell Centre,
183 Queen's Road East, Wan Chai,
Hong Kong



[11] 2423801.4M001

[15] 01-08-2024

[51] Cl. 9-05

[54] 食品用包裝

Packaging for foodstuffs

[73] 朱達榮泰企業有限公司

CHU TAT WING TAI ENTERPRISE COMPANY LIMITED
香港

新界元朗泰利街 18 號

榮華中心工業大廈 11 樓 A-D 室

[74] 達祺知識產權有限公司

香港

灣仔駱克道 137 號
香江大廈 1 樓 C 室



[11] 2423801.4M002

[15] 01-08-2024

[51] C1. 9-05

[54] 食品用包裝
Packaging for foodstuffs

[73] 朱達榮泰企業有限公司
CHU TAT WING TAI ENTERPRISE COMPANY LIMITED
香港
新界元朗泰利街 18 號
榮華中心工業大廈 11 樓 A-D 室

[74] 達祺知識產權有限公司
香港
灣仔駱克道 137 號
香江大廈 1 樓 C 室



[11] 2423801.4M003

[15] 01-08-2024

[51] C1. 9-05

[54] 食品用包裝
Packaging for foodstuffs

[73] 朱達榮泰企業有限公司
CHU TAT WING TAI ENTERPRISE COMPANY LIMITED
香港
新界元朗泰利街 18 號
榮華中心工業大廈 11 樓 A-D 室

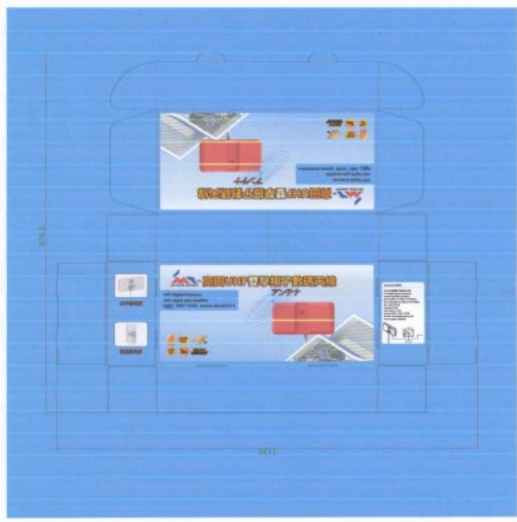
[74] 達祺知識產權有限公司
香港
灣仔駱克道 137 號
香江大廈 1 樓 C 室



- [11] 2423801.4M004
[15] 01-08-2024
[51] Cl. 9-05
[54] 食品用包裝
Packaging for foodstuffs
[73] 朱達榮泰企業有限公司
CHU TAT WING TAI ENTERPRISE COMPANY LIMITED
香港
新界元朗泰利街 18 號
榮華中心工業大廈 11 樓 A-D 室
[74] 達祺知識產權有限公司
香港
灣仔駱克道 137 號
香江大廈 1 樓 C 室
-



- [11] 2423817.8
[15] 06-08-2024
[51] Cl. 9-03
[54] 數碼天線包裝盒
Digital antenna packaging box
[73] 旺角電子(香港)有限公司
Mongkok Electronics (Hong Kong) Ltd
香港
旺角黑布街 100 号地下
[74] 旺角電子(香港)有限公司
香港
旺角黑布街 100 号地下



[11] 2423828.1M001

[15] 09-08-2024

[30] 28-02-2024 / CN / 2024301006194

[51] C1. 26-05

[54] 檯燈

Table lamp

[73] 北京小米移動軟件有限公司

BEIJING XIAOMI MOBILE SOFTWARE CO., LTD.

中國

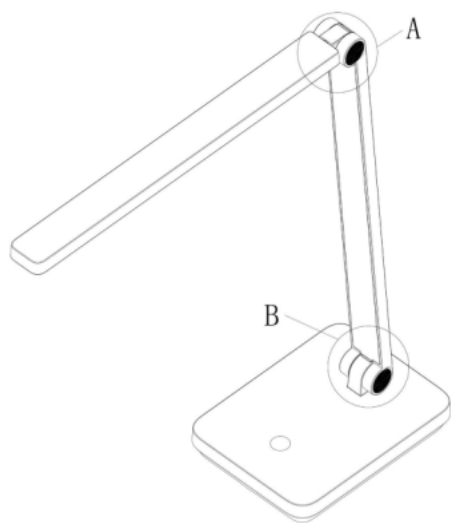
北京市海澱區西二旗中路 33 號院 6 號樓 8 層 018 號

[74] 高保知識產權代理有限公司

香港

荃灣白田壩街 36-44 號

信義工業大廈 9 樓



[11] 2423828.1M002

[15] 09-08-2024

[30] 28-02-2024 / CN / 2024301006194

[51] Cl. 26-05

[54] 檯燈

Table lamp

[73] 北京小米移動軟件有限公司

BEIJING XIAOMI MOBILE SOFTWARE CO., LTD.

中國

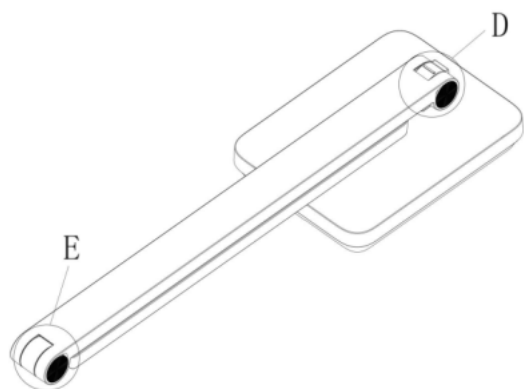
北京市海澱區西二旗中路 33 號院 6 號樓 8 層 018 號

[74] 高保知識產權代理有限公司

香港

荃灣白田壩街 36-44 號

信義工業大廈 9 樓



[11] 2423828.1M003

[15] 09-08-2024

[30] 28-02-2024 / CN / 2024301006194

[51] Cl. 26-05

[54] 檯燈

Table lamp

[73] 北京小米移動軟件有限公司

BEIJING XIAOMI MOBILE SOFTWARE CO., LTD.

中國

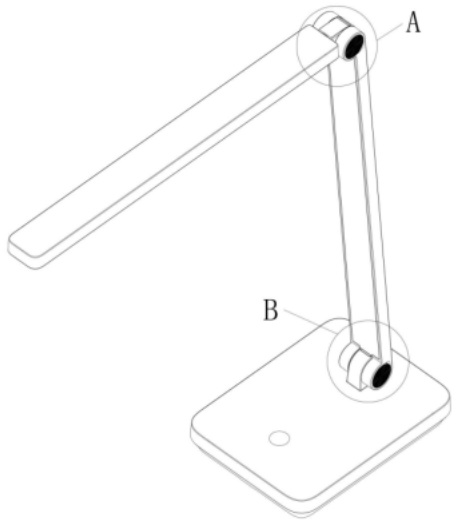
北京市海澱區西二旗中路 33 號院 6 號樓 8 層 018 號

[74] 高保知識產權代理有限公司

香港

荃灣白田壩街 36-44 號

信義工業大廈 9 樓



[11] 2423828.1M004

[15] 09-08-2024

[30] 28-02-2024 / CN / 2024301006194

[51] C1. 26-05

[54] 檯燈

Table lamp

[73] 北京小米移動軟件有限公司

BEIJING XIAOMI MOBILE SOFTWARE CO., LTD.

中國

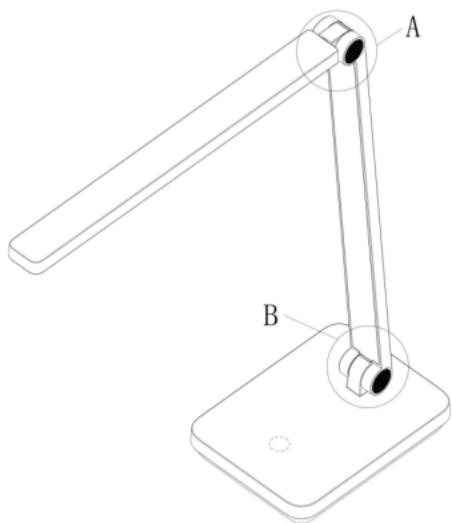
北京市海澱區西二旗中路 33 號院 6 號樓 8 層 018 號

[74] 高保知識產權代理有限公司

香港

荃灣白田壩街 36-44 號

信義工業大廈 9 樓



[11] 2423828.1M005

[15] 09-08-2024

[30] 28-02-2024 / CN / 2024301006194

[51] Cl. 26-05

[54] 檯燈

Table lamp

[73] 北京小米移動軟件有限公司

BEIJING XIAOMI MOBILE SOFTWARE CO., LTD.

中國

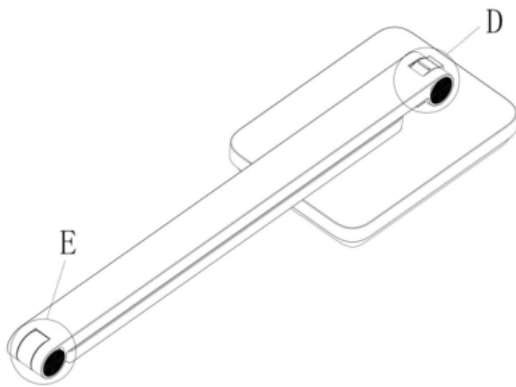
北京市海澱區西二旗中路 33 號院 6 號樓 8 層 018 號

[74] 高保知識產權代理有限公司

香港

荃灣白田壩街 36-44 號

信義工業大廈 9 樓



[11] 2423828.1M006

[15] 09-08-2024

[30] 28-02-2024 / CN / 2024301006194

[51] Cl. 26-05

[54] 檯燈

Table lamp

[73] 北京小米移動軟件有限公司

BEIJING XIAOMI MOBILE SOFTWARE CO., LTD.

中國

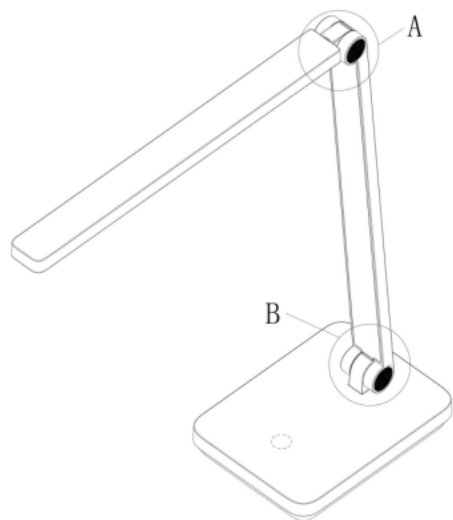
北京市海澱區西二旗中路 33 號院 6 號樓 8 層 018 號

[74] 高保知識產權代理有限公司

香港

荃灣白田壩街 36-44 號

信義工業大廈 9 樓



[11] 2423837.0

[15] 09-08-2024

[30] 15-06-2024 / CN / 2024303670349

[51] C1. 10-04

[54] 鑽石測量尺
Diamond measuring ruler

[73] 深圳迪凱工貿有限公司
Shenzhen Dikai Industrial Co., Ltd.
中國
深圳市寶安區新橋街道新橋社區
新橋崗仔大街132號第10棟廠房9層南面

[74] 智群科技設計(香港)有限公司
香港
九龍九龍灣宏光道8號
創豪坊7樓706室



[11] 2423839.4M001

[15] 11-08-2024

[51] C1. 26-02

[54] 燈籠
Lantern

[73] 蔡國浩
CHOI Kwok Ho
香港

元朗

朗屏邨寶屏樓 2809 號

[74] 蔡國浩

香港

新界元朗朗屏邨

寶屏樓 2809 室



[11] 2423839.4M002

[15] 11-08-2024

[51] Cl. 26-02

[54] 燈籠

Lantern

[73] 蔡國浩

CHOI Kwok Ho

香港

元朗

朗屏邨寶屏樓 2809 號

[74] 蔡國浩

香港

新界元朗朗屏邨

寶屏樓 2809 室



[11] 2423842.0M001

[15] 13-08-2024

[30] 22-02-2024 / KR / 30-2024-0007075

[51] Cl. 24-01

[54] 超聲波治療儀用手持件

Handpiece cartridge for ultrasound therapy device of main body

[73] 科萊希思有限公司

CLASSYS INC.

208, Teheran-ro,

Gangnam-gu, Seoul 06220,

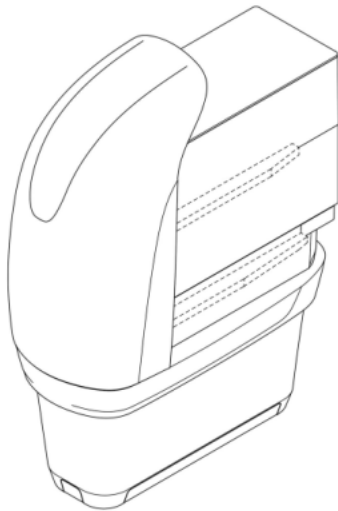
REPUBLIC OF KOREA

[74] CHINA PATENT AGENT (HONG KONG) LIMITED

22/F, Great Eagle Centre,

23 Harbour Road, Wanchai,

Hong Kong



[11] 2423842.0M002

[15] 13-08-2024

[30] 22-02-2024 / KR / 30-2024-0007078

[51] Cl. 24-01

[54] 超聲波治療儀用手持件

Handpiece cartridge for ultrasound therapy device of main body

[73] 科萊希思有限公司

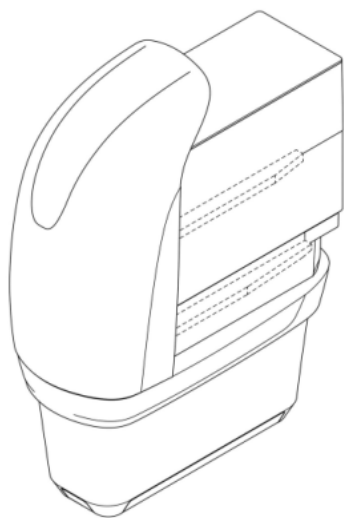
CLASSYS INC.

208, Teheran-ro,

Gangnam-gu, Seoul 06220,

REPUBLIC OF KOREA

[74] CHINA PATENT AGENT (HONG KONG) LIMITED
22/F, Great Eagle Centre,
23 Harbour Road, Wanchai,
Hong Kong



[11] 2423842.0M003

[15] 13-08-2024

[30] 22-02-2024 / KR / 30-2024-0007079

[51] Cl. 24-01

[54] 超聲波治療儀用手持件

Handpiece cartridge for ultrasound therapy device of main body

[73] 科萊希思有限公司

CLASSYS INC.

208, Teheran-ro,

Gangnam-gu, Seoul 06220,

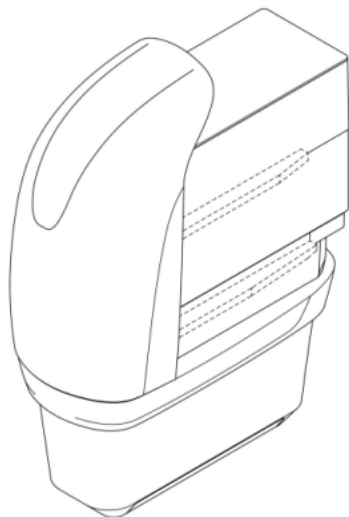
REPUBLIC OF KOREA

[74] CHINA PATENT AGENT (HONG KONG) LIMITED

22/F, Great Eagle Centre,

23 Harbour Road, Wanchai,

Hong Kong



[11] 2423844.4

[15] 13-08-2024

[30] 06-03-2024 / MA, CN, SG, CH, TR, GB, US, VN, EU, JP, KR /
WIPO145398

[51] Cl. 2-04

[54] 鞋

Shoes

[73] HERMES SELLIER

24, Rue du Faubourg Saint-Honoré,

75008 PARIS,

FRANCE

[74] DEACONS

5th Floor, Alexandra House,

Central,

Hong Kong



[11] 2423846.9

[15] 13-08-2024

[30] 29-02-2024 / CH / 147902

[51] Cl. 2-07

[54] 袖扣

Cufflink

[73] ROLEX SA

Rue François-Dussaud 3-5-7,

1211 Genève 26,

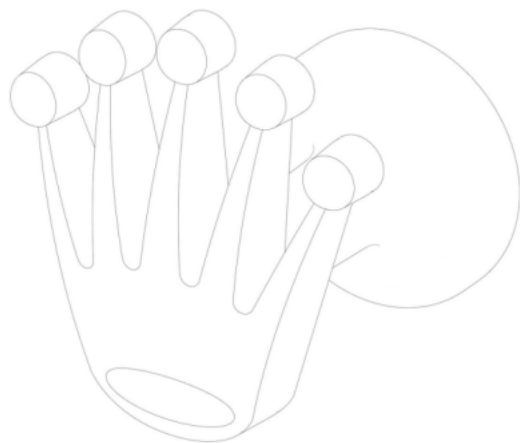
SWITZERLAND

[74] DEACONS

5th Floor, Alexandra House,

Central,

Hong Kong



[11] 2423852.1

[15] 14-08-2024

[51] Cl. 13-02

[54] 可為一個移動裝置充電的可折疊磁吸支架型無線充電器

Foldable magnetic wireless charging stand for 1 device

[73] Design Pool Limited

33/F,

88 Hing Fat Street,

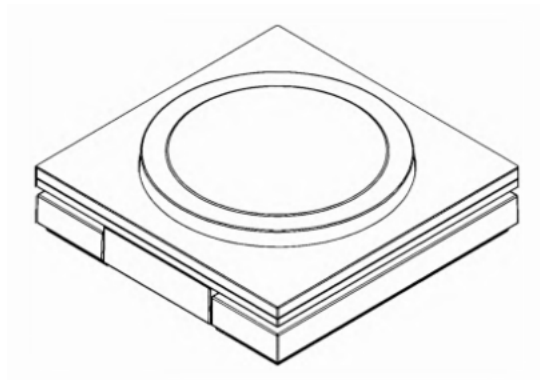
HONG KONG

[74] Design Pool Limited

33/F,

88 Hing Fat Street,

Hong Kong



[11] 2423853.3

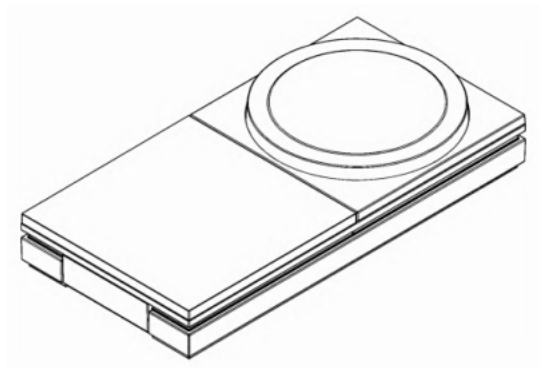
[15] 14-08-2024

[51] Cl. 13-02

[54] 可為兩個移動裝置充電的可折疊磁吸無線支架型充電器
Foldable magnetic wireless charging stand for 2 devices

[73] Design Pool Limited
33/F,
88 Hing Fat Street,
HONG KONG

[74] Design Pool Limited
33/F,
88 Hing Fat Street,
Hong Kong



[11] 2423854.5

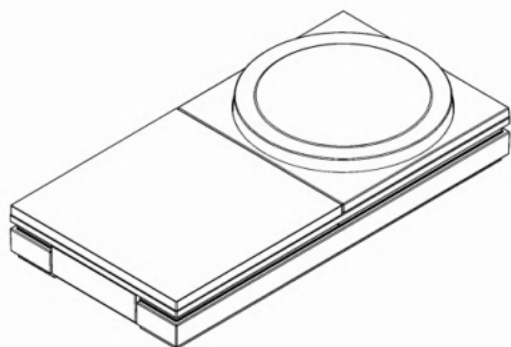
[15] 14-08-2024

[51] Cl. 13-02

[54] 可為三個移動裝置充電的可折疊磁吸無線支架型充電器
Foldable magnetic wireless charging stand for 3 devices

[73] Design Pool Limited
33/F,
88 Hing Fat Street,
HONG KONG

[74] Design Pool Limited
33/F,
88 Hing Fat Street,
Hong Kong



[11] 2423855.8M001

[15] 14-08-2024

[51] Cl. 11-01

[54] 手鐲

Bracelet

[73] 周生生珠寶金行有限公司

Chow Sang Sang Jewellery Company Limited

4/F., Chow Sang Sang Building,

229 Nathan Road, Kowloon,

HONG KONG

[74] HKIPA LIMITED

Unit 230, 2/F, Building 12W,

No. 12 Science Park West Avenue,

Phase 3, Hong Kong Science Park, Pak Shek Kok,

New Territories, Hong Kong



[11] 2423855.8M002

[15] 14-08-2024

[51] Cl. 11-01

[54] 手鐲

Bracelet

[73] 周生生珠寶金行有限公司

Chow Sang Sang Jewellery Company Limited

4/F., Chow Sang Sang Building,

229 Nathan Road, Kowloon,

HONG KONG

[74] HKIPA LIMITED

Unit 230, 2/F, Building 12W,

No. 12 Science Park West Avenue,

Phase 3, Hong Kong Science Park, Pak Shek Kok,

New Territories, Hong Kong



[11] 2423855.8M003

[15] 14-08-2024

[51] Cl. 11-01

[54] 耳釘

Earrings

[73] 周生生珠寶金行有限公司

Chow Sang Sang Jewellery Company Limited

4/F., Chow Sang Sang Building,

229 Nathan Road, Kowloon,

HONG KONG

[74] HKIPA LIMITED

Unit 230, 2/F, Building 12W,

No. 12 Science Park West Avenue,

Phase 3, Hong Kong Science Park, Pak Shek Kok,
New Territories, Hong Kong



[11] 2423855.8M004

[15] 14-08-2024

[51] Cl. 11-01

[54] 耳釘

Earrings

[73] 周生生珠寶金行有限公司

Chow Sang Sang Jewellery Company Limited

4/F., Chow Sang Sang Building,

229 Nathan Road, Kowloon,

HONG KONG

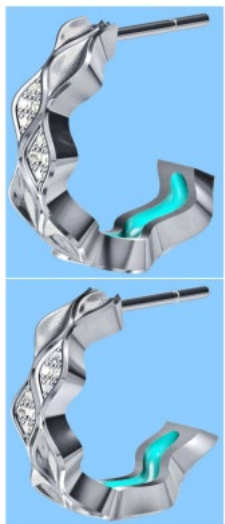
[74] HKIPA LIMITED

Unit 230, 2/F, Building 12W,

No. 12 Science Park West Avenue,

Phase 3, Hong Kong Science Park, Pak Shek Kok,

New Territories, Hong Kong



[11] 2423855.8M005

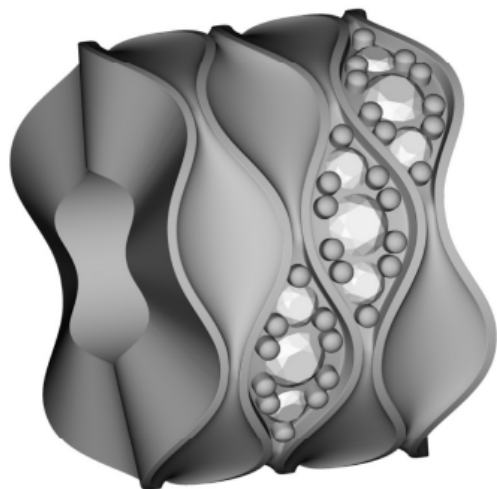
[15] 14-08-2024

[51] Cl. 11-01

[54] 墜飾
Pendant

[73] 周生生珠寶金行有限公司
Chow Sang Sang Jewellery Company Limited
4/F., Chow Sang Sang Building,
229 Nathan Road, Kowloon,
HONG KONG

[74] HKIPA LIMITED
Unit 230, 2/F, Building 12W,
No. 12 Science Park West Avenue,
Phase 3, Hong Kong Science Park, Pak Shek Kok,
New Territories, Hong Kong



[11] 2423855.8M006

[15] 14-08-2024

[51] Cl. 11-01

[54] 墜飾

Pendant

[73] 周生生珠寶金行有限公司

Chow Sang Sang Jewellery Company Limited

4/F., Chow Sang Sang Building,

229 Nathan Road, Kowloon,

HONG KONG

[74] HKIPA LIMITED

Unit 230, 2/F, Building 12W,

No. 12 Science Park West Avenue,

Phase 3, Hong Kong Science Park, Pak Shek Kok,

New Territories, Hong Kong



[11] 2423855.8M007

[15] 14-08-2024

[51] Cl. 11-01

[54] 戒指

Ring

[73] 周生生珠寶金行有限公司

Chow Sang Sang Jewellery Company Limited

4/F., Chow Sang Sang Building,

229 Nathan Road, Kowloon,

HONG KONG

[74] HKIPA LIMITED

Unit 230, 2/F, Building 12W,

No. 12 Science Park West Avenue,

Phase 3, Hong Kong Science Park, Pak Shek Kok,
New Territories, Hong Kong



[11] 2423855.8M008

[15] 14-08-2024

[51] Cl. 11-01

[54] 戒指
Ring

[73] 周生生珠寶金行有限公司
Chow Sang Sang Jewellery Company Limited
4/F., Chow Sang Sang Building,
229 Nathan Road, Kowloon,
HONG KONG

[74] HKIPA LIMITED
Unit 230, 2/F, Building 12W,
No. 12 Science Park West Avenue,
Phase 3, Hong Kong Science Park, Pak Shek Kok,
New Territories, Hong Kong





香港特別行政區政府知識產權署外觀設計註冊處

The Government of the Hong Kong Special Administrative Region

Designs Registry, Intellectual Property Department

根據註冊外觀設計條例第 28 條，下列註冊外觀設計因未繳續期費而停止有效。

各組記項按註冊外觀設計停止有效日期及註冊編號先後次序排列。

Registered designs ceased through non-payment of renewal fees under section 28 of the Registered Designs Ordinance. Entries are listed below under their expiry dates.

04-09-2024 - 11-09-2024

04-09-2024	1401675.8	1401694.7M002
1401661.8	1401678.4	1401694.7M003
1401665.7		1401694.7M004
1401666.9M001	08-09-2024	1401694.7M005
1401668.3M001	0901461.6M001	
1401668.3M002	0901461.6M002	11-09-2024
1401669.5	0901461.6M003	1401698.6M001
1401671.9	0901461.6M007	1401698.6M002
1401672.1	0901461.6M010	1401698.6M003
1914613.7	0901461.6M011	1401698.6M004
1914614.9	1914632.7	1401698.6M005
1914617.6	1914635.4	1401698.6M006
1914622.6M001	1914637.8M001	1401698.6M007
1914622.6M002	1914637.8M002	1401698.6M008
1914622.6M003		1401698.6M009
1914622.6M004	09-09-2024	1401698.6M010
1914622.6M005	0901475.6	1401700.2M001
1914622.6M006	0901488.3M001	1401700.2M002
1914622.6M007	1401680.8	1401700.2M003
1914622.6M008	1401684.6M001	1401700.2M004
	1401684.6M002	1914650.5M001
05-09-2024	1401684.6M003	1914650.5M002
1914626.5	1401685.9M001	1914651.7M001
1914628.9	1401685.9M002	1914651.7M002
	1401685.9M003	1914651.7M003
		1914651.7M004
07-09-2024		1914651.7M005
0412013.5	10-09-2024	1914651.7M006
0412014.7	1401687.3M001	1914651.7M007
0901449.1M002	1401687.3M002	1914651.7M008
0901454.1	1401687.3M003	1914651.7M009
0901455.4	1401692.3M001	1914651.7M010
0901456.6	1401692.3M002	1914651.7M011
0901457.8	1401692.3M003	1914651.7M012
0901460.4	1401694.7M001	

1914651.7M013

1914651.7M014

1914651.7M015

1914651.7M016

1914651.7M017

1914651.7M018



香港特別行政區政府知識產權署外觀設計註冊處

The Government of the Hong Kong Special Administrative Region

Designs Registry, Intellectual Property Department

根據註冊外觀設計規則第 31 條刪除的註冊外觀設計。各組記項按註冊外觀設計刪除日期及註冊編號先後次序排列。

Registered designs removed under section 31 of the Registered Designs Rules. Entries are listed below under their removal dates.

12-09-2024 - 19-09-2024

12-09-2024

0410460.0M003

0410464.8

0900356.3

1400389.9

1400392.5

1400401.6

1913133.7M001

1913133.7M002

1913133.7M003

1913133.7M004

1913133.7M005

1913133.7M006

1913137.6M001

1913137.6M002

1913137.6M003

1913137.6M004

13-09-2024

0900362.5

0900365.2

0900367.6

0901145.7M001

0901145.7M002

0901145.7M003

0901145.7M004

0901145.7M005

0901145.7M006

0901145.7M007

0901145.7M008

0901145.7M009

0901145.7M010

0901145.7M011

1913140.2

1913150.3

1913154.1

1913155.4

1913156.6

1913158.0

14-09-2024

1400424.4

1913159.2

1913160.4

1913161.6

1913162.8

15-09-2024

1913164.2

16-09-2024

0900380.3M001

0900380.3M002

0900380.3M003

0900380.3M004

0900380.3M005

0900380.3M006

0900380.3M007

0900380.3M008

0900380.3M009

0900380.3M010

17-09-2024

0410503.3

0900384.1

1400406.7

1400407.9

18-09-2024

0900390.4

1400435.8M001

1400435.8M002

1400435.8M003

1400435.8M004

1400435.8M005

1400436.0

1913166.7

1913172.9

1913175.6M001

1913175.6M002

1913175.6M003

1913175.6M004

1913175.6M005

1913175.6M006

1913177.0

19-09-2024

1400439.6

1913178.2

1913182.0

1913186.9M001

1913186.9M002

1913186.9M003

1913186.9M004



香港特別行政區政府知識產權署外觀設計註冊處

The Government of the Hong Kong Special Administrative Region

Designs Registry, Intellectual Property Department

根據註冊外觀設計條例第 76 條，更正已提交文件中的錯誤

Correction of errors in filed documents under section 76 of the Registered Designs Ordinance

下列在 26.07.2024 官方公報刊登的更正錯誤的請求已在 27.09.2024 獲准許

The following request for correction of error advertised in the official journal on 26.07.2024 was allowed on 27.09.2024

[21] 2423196.9M007

[55] 外觀設計表述

Representations of the Design



香港特別行政區政府知識產權署外觀設計註冊處

The Government of the Hong Kong Special Administrative Region

Designs Registry, Intellectual Property Department

根據註冊外觀設計條例第 76 條，更正已提交文件中的錯誤

Correction of errors in filed documents under section 76 of the Registered Designs Ordinance

任何人士現可對下列更正錯誤的請求提出反對

Request for correction of errors now open to opposition

如任何人士意欲反對下列請求，則須在本官方公報刊登是項更正請求的日期起計的兩個月內，根據註冊外觀設計規則第 62(4) 條，採用指明外觀設計表格第 D9 號提交反對通知。如在限期內沒有收到任何反對通知，處長將依本公報刊登的更正請求的內容，准許是項更正請求。

If any person wishes to oppose the following request, he shall file a notice of opposition in specified Designs Form D9 within two months from the date of advertisement in this official journal under section 62(4) of the Registered Designs Rules. If no notice of opposition is received, the request for correction will be allowed by the Registrar in the present advertised form.

請求更正外觀設計表格第 D1 號第 03 部分中申請人的姓名或名稱

Request made for correction of the applicant's name in Part 03 of the Designs Form D1 filed

[21] 2422969.8M001

[71] Schneider Electric Industries SAS

施耐德電氣工業公司

[21] 2422969.8M002

[71] Schneider Electric Industries SAS

施耐德電氣工業公司

[21] 2422969.8M003

[71] Schneider Electric Industries SAS

施耐德電氣工業公司