

香港知識產權公報

Hong Kong Intellectual Property Journal

2024年9月6日

06 September 2024

目錄 Contents

根據註冊外觀設計條例第 25 條註冊的外觀設計

Designs Registered under section 25 of the Registered Designs Ordinance

按註冊編號排列

Arranged by Registration Number

根據註冊外觀設計條例(第 522 章)公布的其他公告

Other Notices Published under the Registered Designs Ordinance (Cap. 522)

根據註冊外觀設計條例第 28 條，註冊外觀設計因未繳續期費而停止有效

Registered designs ceased through non-payment of renewal fees under section 28 of the Registered Designs Ordinance

根據註冊外觀設計規則第 31 條刪除的註冊外觀設計

Registered designs removed under section 31 of the Registered Designs Rules

以下事項沒有記錄

No Records for the Following Matters

根據註冊外觀設計條例第 30 條放棄的外觀設計的註冊

Surrender of Registration of Design under section 30 of the Registered Designs Ordinance

根據註冊外觀設計規則第 37 條，向處長作出轉介

Reference to Registrar under section 37 of the Registered Designs Rules

根據註冊外觀設計條例第 45 條，撤銷註冊

Revocation of Registration under section 45 of the Registered Designs Ordinance

根據註冊外觀設計規則第 46 條，向法院作出轉介

Reference to Court under section 46 of the Registered Designs Rules

根據註冊外觀設計規則第 63 條對不符合規定之處作出糾正

Rectification of Irregularities under section 63 of the Registered Designs Rules

根據註冊外觀設計條例第 66 條，糾正註冊紀錄冊

Rectification of Register under section 66 of the Registered Designs Ordinance

根據註冊外觀設計條例第 67 條 更正註冊紀錄冊內的錯誤

Correction of errors in Register under section 67 of the Registered Designs Ordinance

根據註冊外觀設計條例第 67 及 76 條，更正註冊紀錄冊內及已提交文件中的錯誤

Correction of Errors in Register and in Filed Documents under sections 67 and 76 of the Registered Designs Ordinance

根據註冊外觀設計條例第 76 條，更正已提交文件中的錯誤

Correction of errors in filed documents under section 76 of the Registered Designs Ordinance

勘誤

Corrigendum

註冊外觀設計公告註釋

Notes on advertisements of registration of designs

方括號表示下列資料：

Square brackets indicate the following data：

[11] 註冊編號 Registration number / 聯合王國註冊編號 United Kingdom registration number

[15] 註冊日期 Registration date / 當作註冊日期 Deemed registration date / 聯合王國註冊日期 United Kingdom registration date

[17] 註冊有效期屆滿日期 Expiry date of the period of registration

[22] 提交日期 Filing date / 當作提交日期 Deemed filing date / 聯合王國提交日期 United Kingdom filing date

[30] 聲稱享有的優先權（提交日期 / 巴黎公約國或世界貿易組織成員 / 申請編號） Priority claimed (filing date / Paris Convention country or WTO member / application number)

[51] 國際外觀設計分類號（洛迦諾分類號） International Classification of designs (Locarno Classification)

[54] 物品 Article

[55] 外觀設計的表述 Representation of the design

[62] 分開前的申請編號及提交日期 Application number before division and filing date

[66] 過往註冊的聯繫外觀設計註冊編號 / 日期 Registration No. / Date of Previous Registration for Association

[72] 設計人 Designer

[73] 擁有人姓名和地址 Name and address of the owner

[74] 代理人 Agent /送達地址 Address for service



香港特別行政區政府知識產權署外觀設計註冊處
The Government of the Hong Kong Special Administrative Region
Designs Registry, Intellectual Property Department

根據註冊外觀設計條例第 25 條註冊的外觀設計

Designs registered under section 25 of the Registered Designs Ordinance

按註冊編號排列

Arranged by Registration Number

[11] 2422781.9

[15] 02-02-2024

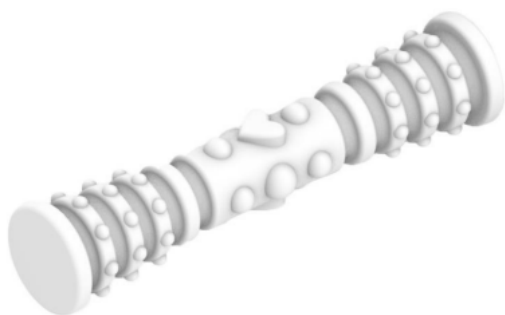
[30] 02-08-2023 / US / 29/909,230

[51] Cl. 1-06

[54] 牙齒治療零食
Dental treat

[73] Stella & Chewy's LLC
111 West Oakview Parkway,
Oak Creek, Wisconsin 53154,
United States of America

[74] SPRUSON & FERGUSON (HONG KONG) LIMITED
5001 Hopewell Centre,
183 Queen's Road East,
Wan Chai, Hong Kong



[11] 2422877.3M001

[15] 03-03-2024

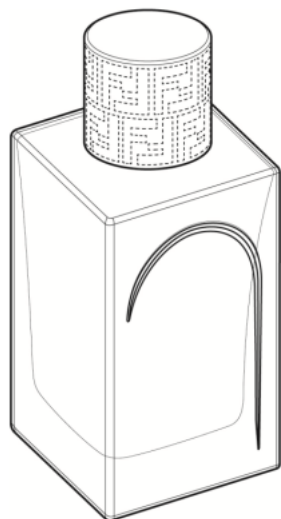
[51] Cl. 9-01

[54] 香水瓶
Perfume bottle

[73] Fendi s.r.l.
Palazzo della Civiltà Italiana,

Quadrato della Concordia, 3,
I-00144 Roma, Italy

[74] MELVIN LI INTELLECTUAL PROPERTY LIMITED
Level 35, Two Pacific Place,
88 Queensway,
Admiralty, Hong Kong



[11] 2422877.3M002

[15] 03-03-2024

[51] Cl. 9-01

[54] 香水瓶的部分

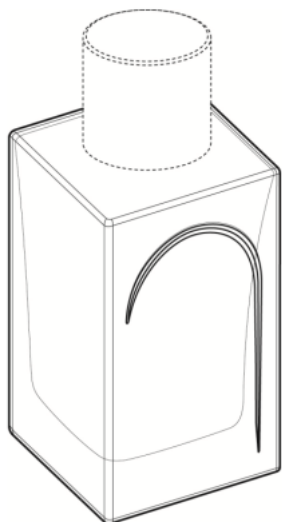
Parts of perfume bottle

[73] Fendi s.r.l.

Palazzo della Civiltà Italiana,
Quadrato della Concordia, 3,
I-00144 Roma, Italy

[74] MELVIN LI INTELLECTUAL PROPERTY LIMITED

Level 35, Two Pacific Place,
88 Queensway,
Admiralty, Hong Kong



[11] 2423033.4

[15] 26-03-2024

[30] 27-09-2023 / CN / 2023306344987

[51] Cl. 21-01

[54] 玩具(獨角獸造型)

Toys (unicorn shape)

[73] 汕頭市兒超喜智能科技實業有限公司

中國廣東省

汕頭市澄海區

廣益街道登峰路廣峰工業區 3 號

[74] 聚一知識產權有限公司

香港九龍尖沙咀

嘉蘭圍 5-11 號

利時商業大廈 1813 号



[11] 2423099.3

[15] 09-04-2024

[30] 01-03-2024 / CN / 2024301050322

[51] Cl. 7-01

[54] 杯子

Cup

[73] 再森土環保科技(武漢)有限公司

ZAISENTU ENVIRONMENTAL PROTECTION TECHNOLOGY (WUHAN) CO., LTD.

中國

430000 湖北省武漢市礄口區南泥灣大道 8 號

長豐科技產業園西區 7 號樓 101 室

[74] 香港專利商標代理有限公司

香港

皇后大道西 419K

博仕臺 10 樓 A 室



[11] 2423100.7

[15] 09-04-2024

[30] 01-03-2024 / CN / 2024301050303

[51] Cl. 7-01

[54] 杯子

Cup

[73] 再森土環保科技(武漢)有限公司

ZAISENTU ENVIRONMENTAL PROTECTION TECHNOLOGY (WUHAN) CO., LTD.

中國

430000 湖北省武漢市礄口區南泥灣大道 8 號

長豐科技產業園西區 7 號樓 101 室

- [74] 香港專利商標代理有限公司
香港
皇后大道西 419K
博仕臺 10 樓 A 室



[11] 2423188.2M001

[15] 22-04-2024

[51] Cl. 15-02

[54] 帶風扇多功能水泵

Multifunctional water pump with fan

[73] 頂峰集團香港有限公司

TOPFENG GROUP H.K. CO., LIMITED

Room 2105, Trend Centre,

29-31 Cheung Lee Street, Chai Wan,

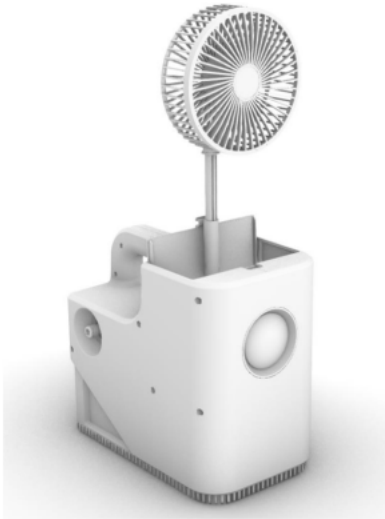
Hong Kong

[74] CHINAHONGKONG IP LIMITED

1502, 15/F, Capital Centre, 151 Gloucester Road,

Wanchai,

Hong Kong



[11] 2423188.2M002

[15] 22-04-2024

[51] Cl. 15-02

[54] 帶電吹風多功能水泵

Multifunctional water pump with hair dryer

[73] 頂峰集團香港有限公司

TOPFENG GROUP H.K. CO., LIMITED

Room 2105, Trend Centre,

29-31 Cheung Lee Street, Chai Wan,

Hong Kong

[74] CHINAHONGKONG IP LIMITED

1502, 15/F, Capital Centre, 151 Gloucester Road,

Wanchai,

Hong Kong



[11] 2423188.2M003

[15] 22-04-2024

[51] Cl. 15-02

[54] 圓形折疊桶水泵

Round foldable water pump

[73] 頂峰集團香港有限公司

TOPFENG GROUP H.K. CO., LIMITED

Room 2105, Trend Centre,

29-31 Cheung Lee Street, Chai Wan,

Hong Kong

[74] CHINAHONGKONG IP LIMITED

1502, 15/F, Capital Centre, 151 Gloucester Road,

Wanchai,

Hong Kong



[11] 2423188.2M004

[15] 22-04-2024

[51] Cl. 15-02

[54] 方形折疊桶水泵

Square foldable water pump

[73] 頂峰集團香港有限公司

TOPFENG GROUP H.K. CO., LIMITED

Room 2105, Trend Centre,

29-31 Cheung Lee Street, Chai Wan,

Hong Kong

[74] CHINAHONGKONG IP LIMITED

1502, 15/F, Capital Centre, 151 Gloucester Road,

Wanchai,

Hong Kong



[11] 2423240.3

[15] 28-04-2024

[30] 12-12-2023 / CN / 2023308182008

[51] Cl. 3-01

[54] 行李箱
Suitcase

[73] 張柏雲
中國
江門市蓬江區美景裏 68 號 201

[74] 姚玲華
香港
新界大埔
富善邨善群樓 2508



[11] 2423245.4

[15] 03-05-2024

[51] Cl. 14-01

[54] 骨傳導頭戴機及支架

Bone conduction headset and framework

[73] 周家祥

chow ka cheung

香港

九龍黃大仙

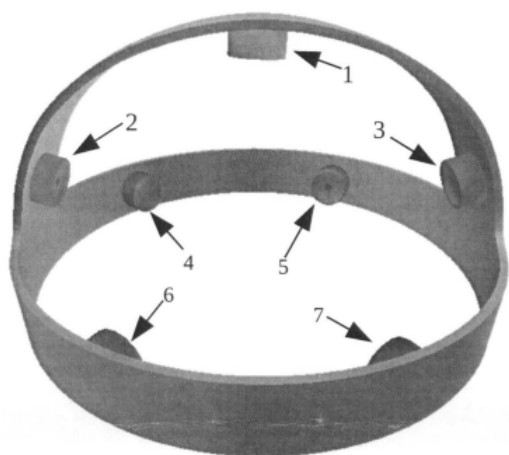
彩雲邨紫霄樓 712 室

[74] 周家祥

香港

九龍黃大仙

彩雲邨紫霄樓 712 室



[11] 2423260.5M001

[15] 12-11-2022

[51] Cl. 24-02

[54] 藥物輸送裝置

Medication delivery device

[73] ELI LILLY AND COMPANY

P.O. Box 6288,

Indianapolis, IN 46206-6288,

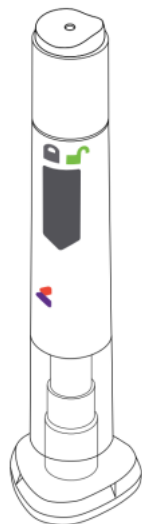
United States of America

[74] MARKS & CLERK

Level 9, Cyberport 1,

100 Cyberport Road, Pok Fu Lam,

Hong Kong



[11] 2423260.5M002

[15] 12-11-2022

[51] Cl. 24-02

[54] 藥物輸送裝置

Medication delivery device

[73] ELI LILLY AND COMPANY

P.O. Box 6288,

Indianapolis, IN 46206-6288,

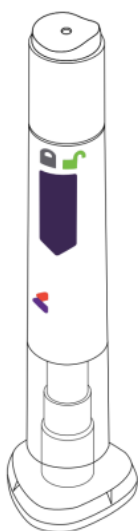
United States of America

[74] MARKS & CLERK

Level 9, Cyberport 1,

100 Cyberport Road, Pok Fu Lam,

Hong Kong



[11] 2423260.5M003

[15] 12-11-2022

[51] Cl. 24-02

[54] 藥物輸送裝置

Medication delivery device

[73] ELI LILLY AND COMPANY

P.O. Box 6288,

Indianapolis, IN 46206-6288,

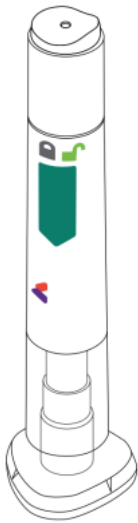
United States of America

[74] MARKS & CLERK

Level 9, Cyberport 1,

100 Cyberport Road, Pok Fu Lam,

Hong Kong



[11] 2423260.5M004

[15] 12-11-2022

[51] Cl. 24-02

[54] 藥物輸送裝置

Medication delivery device

[73] ELI LILLY AND COMPANY

P.O. Box 6288,

Indianapolis, IN 46206-6288,

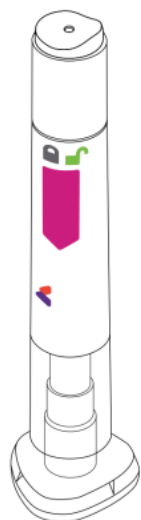
United States of America

[74] MARKS & CLERK

Level 9, Cyberport 1,

100 Cyberport Road, Pok Fu Lam,

Hong Kong



[11] 2423260.5M005

[15] 12-11-2022

[51] Cl. 24-02

[54] 藥物輸送裝置

Medication delivery device

[73] ELI LILLY AND COMPANY

P.O. Box 6288,

Indianapolis, IN 46206-6288,

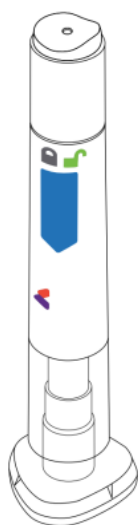
United States of America

[74] MARKS & CLERK

Level 9, Cyberport 1,

100 Cyberport Road, Pok Fu Lam,

Hong Kong



[11] 2423260.5M006

[15] 12-11-2022

[51] Cl. 24-02

[54] 藥物輸送裝置

Medication delivery device

[73] ELI LILLY AND COMPANY

P.O. Box 6288,

Indianapolis, IN 46206-6288,

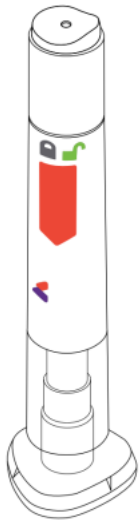
United States of America

[74] MARKS & CLERK

Level 9, Cyberport 1,

100 Cyberport Road, Pok Fu Lam,

Hong Kong



[11] 2423282.1

[15] 08-05-2024

[51] Cl. 7-01

[54] 美式餐盒

American style lunch box

[73] 惠州市冠展实业有限公司

中國

广东省惠州仲恺高新区惠环街道

西坑工业区 38 号 1、2 号厂房

[74] 卓遠知識產權有限公司

香港

上環禧利街 27 號

富輝商業中心 10 樓



[11] 2423283.3

[15] 08-05-2024

[51] Cl. 9-03

[54] 包裝盒

Package box

[73] 蘇兆明

SO SIU MING

香港

屯門建發街 22 號

新興工業大廈 11 樓 10 室

[74] SO SIU MING

香港

屯門建發街 22 號

新興工業大廈 11 樓 10 室



[11] 2423291.0M001

[15] 09-05-2024

[30] 09-11-2023 / US / 29/916,258

[51] Cl. 14-06

[54] 電子設備的配件

Accessory for electronic device

[73] 厄尔本阿莫吉尔有限责任公司

URBAN ARMOR GEAR, LLC

1601 ALTON PARKWAY, SUITE C, IRVINE,

CALIFORNIA, 92606,

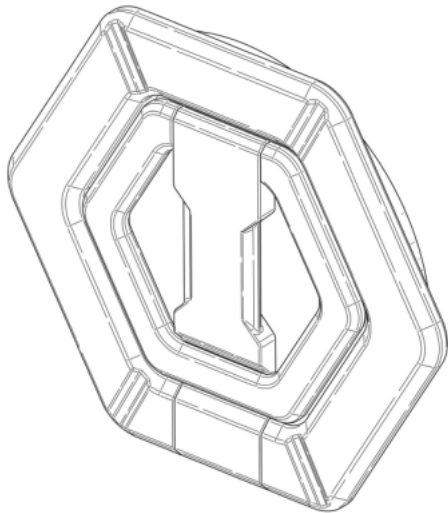
UNITED STATES OF AMERICA

[74] CHANG TSI AND PARTNERS INTELLECTUAL PROPERTY (HK) LIMITED

Level 20, One International Finance Centre,

No. 1 Harbour View Street, Central,

Hong Kong



[11] 2423291.0M002

[15] 09-05-2024

[30] 09-11-2023 / US / 29/916,258

[51] Cl. 14-06

[54] 電子設備的配件

Accessory for electronic device

[73] 厄尔本阿莫吉尔有限责任公司

URBAN ARMOR GEAR, LLC

1601 ALTON PARKWAY, SUITE C, IRVINE,

CALIFORNIA, 92606,

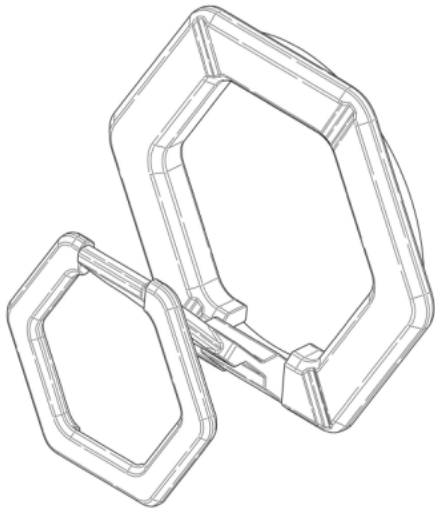
UNITED STATES OF AMERICA

[74] CHANG TSI AND PARTNERS INTELLECTUAL PROPERTY (HK) LIMITED

Level 20, One International Finance Centre,

No. 1 Harbour View Street, Central,

Hong Kong



[11] 2423292.2M001

[15] 12-11-2022

[51] Cl. 19-08

[54] 藥物輸送裝置包裝標籤

Label for packaging medication delivery device

[73] ELI LILLY AND COMPANY

P.O. Box 6288,

Indianapolis, IN 46206-6288,

United States of America

[74] MARKS & CLERK

Level 9, Cyberport 1,

100 Cyberport Road, Pok Fu Lam,

Hong Kong



[11] 2423292.2M002

[15] 12-11-2022

[51] Cl. 19-08

[54] 藥物輸送裝置包裝標籤

Label for packaging medication delivery device

[73] ELI LILLY AND COMPANY

P.O. Box 6288,

Indianapolis, IN 46206-6288,

United States of America

[74] MARKS & CLERK

Level 9, Cyberport 1,

100 Cyberport Road, Pok Fu Lam,

Hong Kong



[11] 2423292.2M003

[15] 12-11-2022

[51] Cl. 19-08

[54] 藥物輸送裝置包裝標籤

Label for packaging medication delivery device

[73] ELI LILLY AND COMPANY

P.O. Box 6288,

Indianapolis, IN 46206-6288,

United States of America

[74] MARKS & CLERK

Level 9, Cyberport 1,

100 Cyberport Road, Pok Fu Lam,

Hong Kong



[11] 2423292.2M004

[15] 12-11-2022

[51] Cl. 19-08

[54] 藥物輸送裝置包裝標籤

Label for packaging medication delivery device

[73] ELI LILLY AND COMPANY

P.O. Box 6288,
Indianapolis, IN 46206-6288,
United States of America

[74] MARKS & CLERK

Level 9, Cyberport 1,
100 Cyberport Road, Pok Fu Lam,
Hong Kong



[11] 2423292.2M005

[15] 12-11-2022

[51] Cl. 19-08

[54] 藥物輸送裝置包裝標籤

Label for packaging medication delivery device

[73] ELI LILLY AND COMPANY

P.O. Box 6288,

Indianapolis, IN 46206-6288,

United States of America

[74] MARKS & CLERK

Level 9, Cyberport 1,

100 Cyberport Road, Pok Fu Lam,

Hong Kong



[11] 2423292.2M006

[15] 12-11-2022

[51] Cl. 19-08

[54] 藥物輸送裝置包裝標籤

Label for packaging medication delivery device

[73] ELI LILLY AND COMPANY

P.O. Box 6288,

Indianapolis, IN 46206-6288,

United States of America

[74] MARKS & CLERK

Level 9, Cyberport 1,

100 Cyberport Road, Pok Fu Lam,

Hong Kong



[11] 2423292.2M007

[15] 12-11-2022

[51] Cl. 19-08

[54] 藥物輸送裝置包裝標籤

Label for packaging medication delivery device

[73] ELI LILLY AND COMPANY

P.O. Box 6288,

Indianapolis, IN 46206-6288,

United States of America

[74] MARKS & CLERK

Level 9, Cyberport 1,

100 Cyberport Road, Pok Fu Lam,

Hong Kong



[11] 2423292.2M008

[15] 12-11-2022

[51] Cl. 19-08

[54] 藥物輸送裝置包裝標籤

Label for packaging medication delivery device

[73] ELI LILLY AND COMPANY

P.O. Box 6288,

Indianapolis, IN 46206-6288,

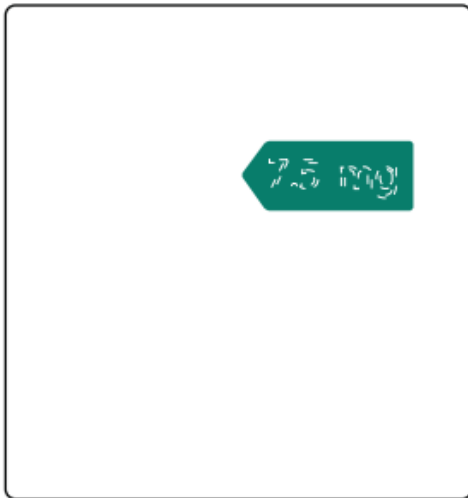
United States of America

[74] MARKS & CLERK

Level 9, Cyberport 1,

100 Cyberport Road, Pok Fu Lam,

Hong Kong



[11] 2423292.2M009

[15] 12-11-2022

[51] Cl. 19-08

[54] 藥物輸送裝置包裝標籤

Label for packaging medication delivery device

[73] ELI LILLY AND COMPANY

P.O. Box 6288,

Indianapolis, IN 46206-6288,

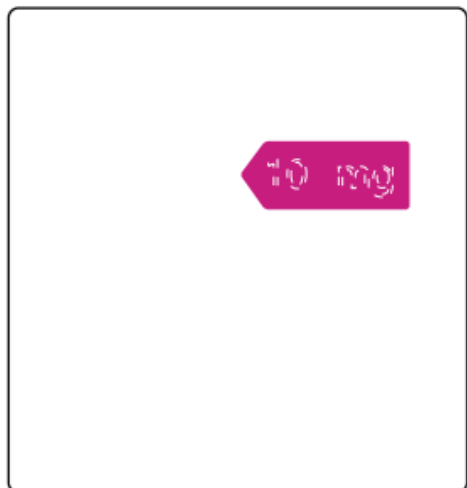
United States of America

[74] MARKS & CLERK

Level 9, Cyberport 1,

100 Cyberport Road, Pok Fu Lam,

Hong Kong



[11] 2423292.2M010

[15] 12-11-2022

[51] Cl. 19-08

[54] 藥物輸送裝置包裝標籤

Label for packaging medication delivery device

[73] ELI LILLY AND COMPANY

P.O. Box 6288,

Indianapolis, IN 46206-6288,

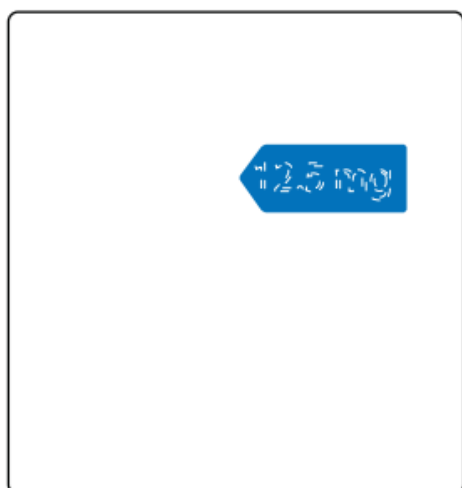
United States of America

[74] MARKS & CLERK

Level 9, Cyberport 1,

100 Cyberport Road, Pok Fu Lam,

Hong Kong



[11] 2423292.2M011

[15] 12-11-2022

[51] Cl. 19-08

[54] 藥物輸送裝置包裝標籤

Label for packaging medication delivery device

[73] ELI LILLY AND COMPANY

P.O. Box 6288,

Indianapolis, IN 46206-6288,

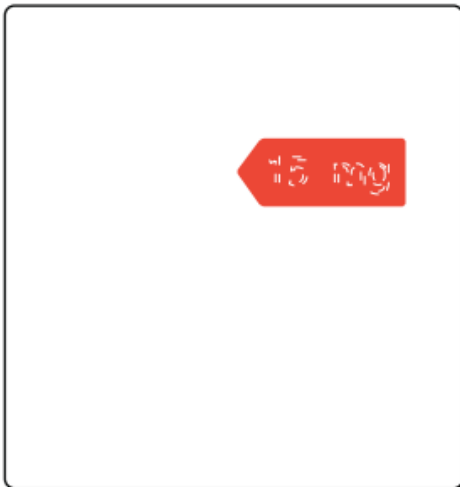
United States of America

[74] MARKS & CLERK

Level 9, Cyberport 1,

100 Cyberport Road, Pok Fu Lam,

Hong Kong



[11] 2423292.2M012

[15] 12-11-2022

[51] Cl. 19-08

[54] 藥物輸送裝置包裝標籤

Label for packaging medication delivery device

[73] ELI LILLY AND COMPANY

P.O. Box 6288,

Indianapolis, IN 46206-6288,

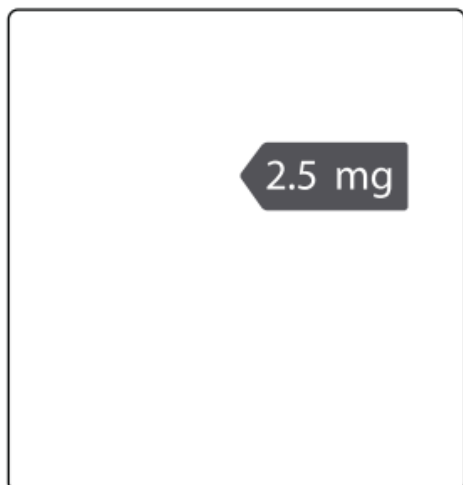
United States of America

[74] MARKS & CLERK

Level 9, Cyberport 1,

100 Cyberport Road, Pok Fu Lam,

Hong Kong



[11] 2423292.2M013

[15] 12-11-2022

[51] Cl. 19-08

[54] 藥物輸送裝置包裝標籤

Label for packaging medication delivery device

[73] ELI LILLY AND COMPANY

P.O. Box 6288,

Indianapolis, IN 46206-6288,

United States of America

[74] MARKS & CLERK

Level 9, Cyberport 1,

100 Cyberport Road, Pok Fu Lam,

Hong Kong



[11] 2423292.2M014

[15] 12-11-2022

[51] Cl. 19-08

[54] 藥物輸送裝置包裝標籤

Label for packaging medication delivery device

[73] ELI LILLY AND COMPANY

P.O. Box 6288,

Indianapolis, IN 46206-6288,

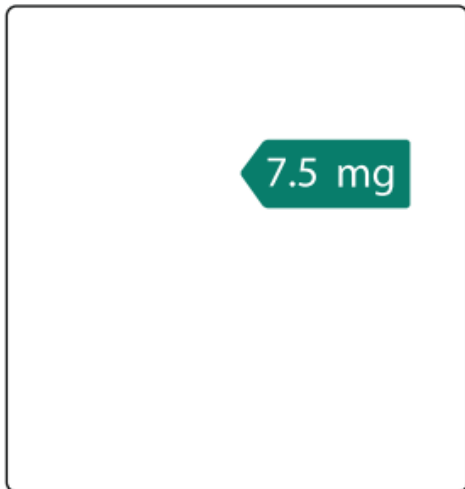
United States of America

[74] MARKS & CLERK

Level 9, Cyberport 1,

100 Cyberport Road, Pok Fu Lam,

Hong Kong



[11] 2423292.2M015

[15] 12-11-2022

[51] Cl. 19-08

[54] 藥物輸送裝置包裝標籤

Label for packaging medication delivery device

[73] ELI LILLY AND COMPANY

P.O. Box 6288,

Indianapolis, IN 46206-6288,

United States of America

[74] MARKS & CLERK

Level 9, Cyberport 1,

100 Cyberport Road, Pok Fu Lam,

Hong Kong



[11] 2423292.2M016

[15] 12-11-2022

[51] Cl. 19-08

[54] 藥物輸送裝置包裝標籤

Label for packaging medication delivery device

[73] ELI LILLY AND COMPANY

P.O. Box 6288,

Indianapolis, IN 46206-6288,

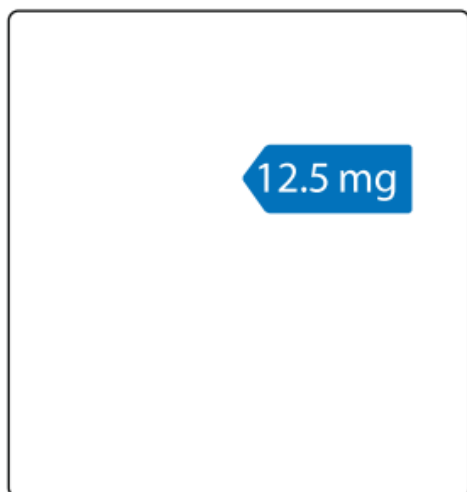
United States of America

[74] MARKS & CLERK

Level 9, Cyberport 1,

100 Cyberport Road, Pok Fu Lam,

Hong Kong



[11] 2423292.2M017

[15] 12-11-2022

[51] Cl. 19-08

[54] 藥物輸送裝置包裝標籤

Label for packaging medication delivery device

[73] ELI LILLY AND COMPANY

P.O. Box 6288,

Indianapolis, IN 46206-6288,

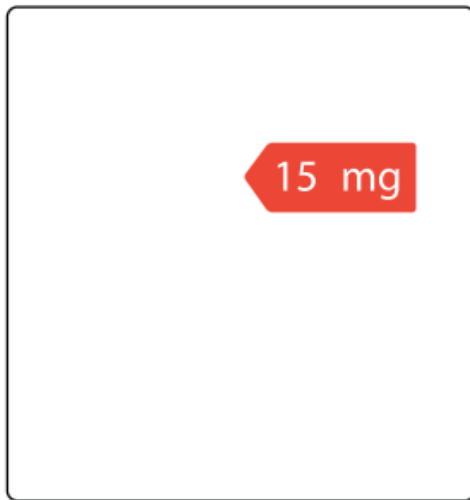
United States of America

[74] MARKS & CLERK

Level 9, Cyberport 1,

100 Cyberport Road, Pok Fu Lam,

Hong Kong



[11] 2423298.5M001

[15] 10-05-2024

[30] 14-02-2024 / CN, CH, GB, EU / DM/236127

[51] Cl. 10-07

[54] 錶面

Watch dial

[73] RICHEMONT INTERNATIONAL SA

Route des Biches 10,

1752 Villars-sur-Glâne,

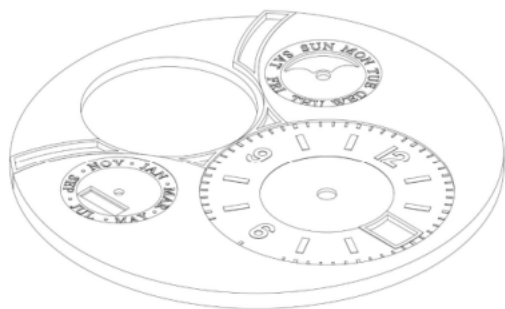
Switzerland

[74] MINTERELLISON LLP

Level 32, Wu Chung House,

213 Queen's Road East,

Hong Kong



[11] 2423298.5M002

[15] 10-05-2024

[30] 14-02-2024 / CN, CH, GB, EU / DM/236127

[51] Cl. 10-07

[54] 錶面

Watch dial

[73] RICHEMONT INTERNATIONAL SA

Route des Biches 10,

1752 Villars-sur-Glâne,

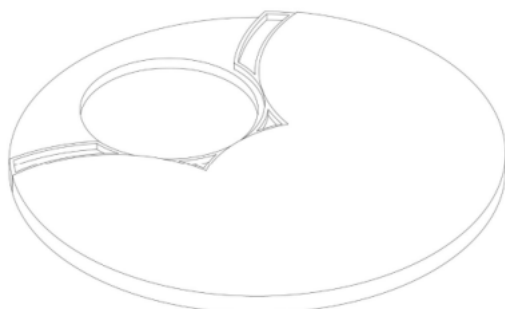
Switzerland

[74] MINTERELLISON LLP

Level 32, Wu Chung House,

213 Queen's Road East,

Hong Kong



[11] 2423322.7

[15] 16-05-2024

[51] Cl. 9-03

[54] 包裝盒

Packing box

[73] 華人藥業(香港)有限公司

香港

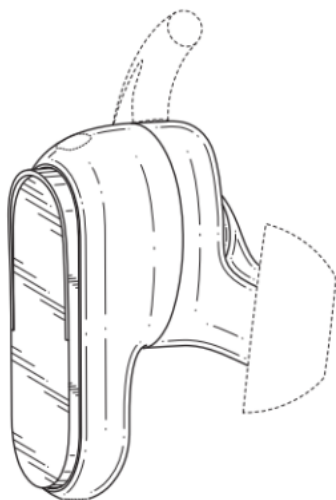
觀塘開源道 60 號

駱駝漆大廈 3 座 7 樓 Q 室

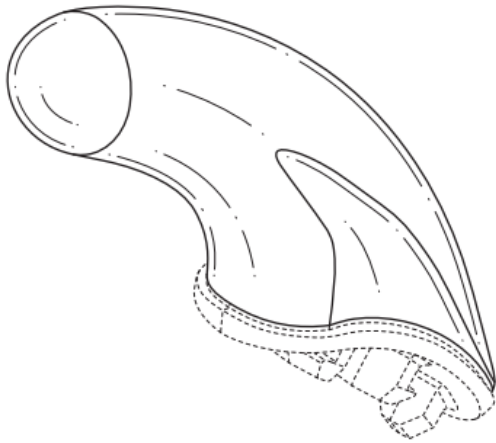
[74] 華人藥業(香港)有限公司
 香港
 觀塘開源道 60 號
 駱駝漆大廈 3 座 7 樓 Q 室



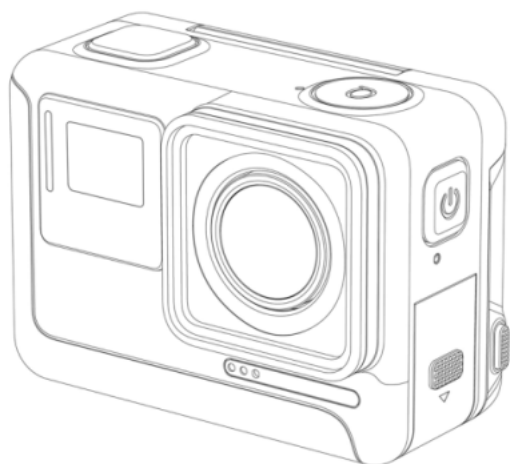
[11] 2423326.6
 [15] 17-05-2024
 [30] 17-11-2023 / US / 29/917,196
 [51] Cl. 14-01
 [54] 耳塞式耳筒
 Earbud
 [73] Bose Corporation
 The Mountain, MS 3B1,
 Framingham, Massachusetts 01701-9168,
 United States of America
 [74] WENPING PATENT & TRADE MARK AGENT LIMITED
 1701 Tung Wai Commercial Building,
 111 Gloucester Road,
 Hong Kong



- [11] 2423327.8
[15] 17-05-2024
[30] 17-11-2023 / US / 29/917,199
[51] Cl. 14-06
[54] 耳塞式耳筒固定件
Retention member for earbud
[73] Bose Corporation
The Mountain,
Framingham, Massachusetts 01701-9168,
United States of America
[74] WENPING PATENT & TRADE MARK AGENT LIMITED
1701 Tung Wai Commercial Building,
111 Gloucester Road,
Hong Kong



-
- [11] 2423339.3
[15] 20-05-2024
[30] 20-11-2023 / CN / 2023307595249
[51] Cl. 16-01
[54] 運動相機
Action camera
[73] 影石創新科技股份有限公司
ARASHI VISION INC.
中國
廣東省深圳市寶安區新安街道海旺社區興業路
1100 號金利通金融中心大廈 2 棟 1101, 1102, 1103
[74] 香港派特恩知識產權代理有限公司
香港
上環永樂街 121-125 號
永達商業大廈 10 樓 C 室



[11] 2423351.8

[15] 21-05-2024

[30] 04-12-2023 / MY / 23-E1899-0101

[51] Cl. 7-01

[54] 杯子

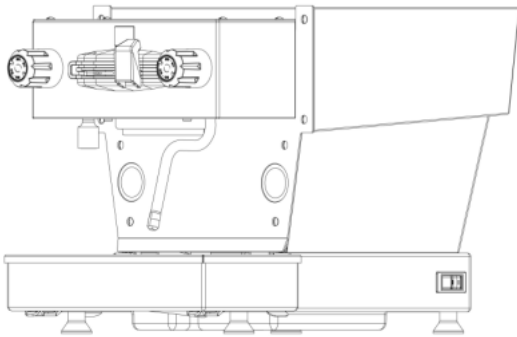
Cup

[73] STROKE INCORPORATED PTE. LTD.
8 SECTOR C SIN MING,
INDUSTRIAL EST #01-58, 575643,
SINGAPORE

[74] HKIPA LIMITED
Unit 230, 2/F, Building 12W,
No. 12 Science Park West Avenue,
Phase 3, Hong Kong Science Park,
Pak Shek Kok, New Territories, Hong Kong



- [11] 2423352.0
[15] 21-05-2024
[30] 22-11-2023 / EU / 015041961-0001
[51] Cl. 31-00
[54] 咖啡機
Coffee machine
[73] LA MARZOCCO S.R.L.
Via La Torre, 14/H,
50038 SCARPERIA E SAN PIERO (FI),
ITALY
[74] CLT PATENT & TRADEMARK (H.K.) LIMITED
Unit 09, 34/F., Office Tower, Convention Plaza,
1 Harbour Road, Wanchai,
Hong Kong



-
- [11] 2423371.0M001
[15] 22-05-2024
[30] 06-12-2023 / CA, AM, AZ, BZ, BA, GE, LI, MK, MD, MC, MN, ME,
MA, NO, OM, SG, CH, TN, TR, UA, GB, EU, AL, KG / DM/233 790
[51] Cl. 11-01
[54] 手鏈
Bracelet
[73] Harry Winston SA
Chemin du Tourbillon 8,
CH-1228 Plan-les-Ouates,
Switzerland
[74] SPRUSON & FERGUSON (HONG KONG) LIMITED
5001 Hopewell Centre,
183 Queen's Road East, Wan Chai,
Hong Kong



[11] 2423371.0M002

[15] 22-05-2024

[30] 06-12-2023 / CA, AM, AZ, BZ, BA, GE, LI, MK, MD, MC, MN, ME, MA, NO, OM, SG, CH, TN, TR, UA, GB, EU, AL, KG / DM/233 790

[51] Cl. 11-01

[54] 冠狀頭飾

Tiara

[73] Harry Winston SA

Chemin du Tourbillon 8,
CH-1228 Plan-les-Ouates,
Switzerland

[74] SPRUSON & FERGUSON (HONG KONG) LIMITED

5001 Hopewell Centre,
183 Queen's Road East, Wan Chai,
Hong Kong



[11] 2423401.5

[15] 29-05-2024

[30] 26-04-2024 / CN / 202430242044X

[51] Cl. 13-02

[54] 折疊無線充電器

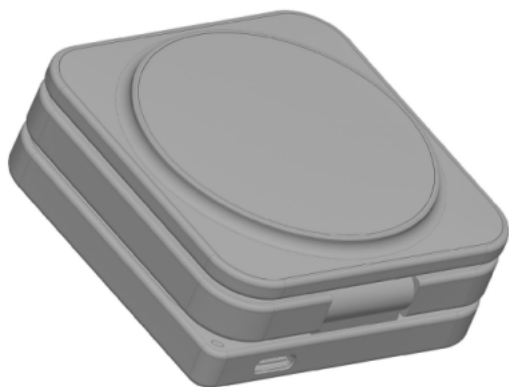
Folding wireless charger

[73] 深圳麦基克斯科技有限公司

中國

深圳市龙华区大浪街道
同胜社区快乐冷链厂 1 栋 602

- [74] 普潤知識產權 (香港) 有限公司
香港
銅鑼灣怡和街 28 號
恒生銅鑼灣大廈 12 樓 B 室



[11] 2423425.6

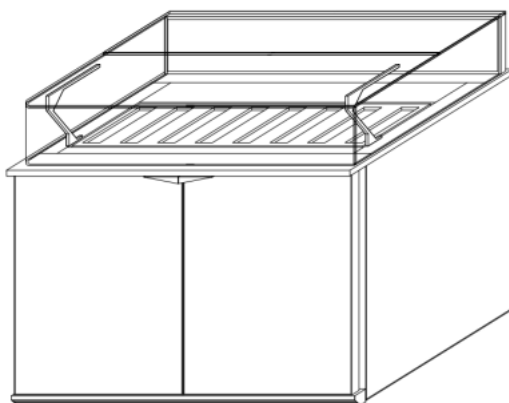
[15] 31-05-2024

[51] Cl. 6-04

[54] 儲存櫃
Storage cabinet

[73] 彭韋棠
PANG, Wai Tung Peter
香港
九龍觀塘偉業街 138 號
和勝記工業大廈 7 樓

[74] 天標知識產權代理有限公司
香港
九龍尖沙咀加連威老道 14 號
加連威大廈 4 樓 A 座



[11] 2423427.0

[15] 31-05-2024

[51] Cl. 6-04

[54] 儲存櫃

Storage cabinet

[73] 彭韋棠

PANG, Wai Tung Peter

香港

九龍觀塘偉業街 138 號

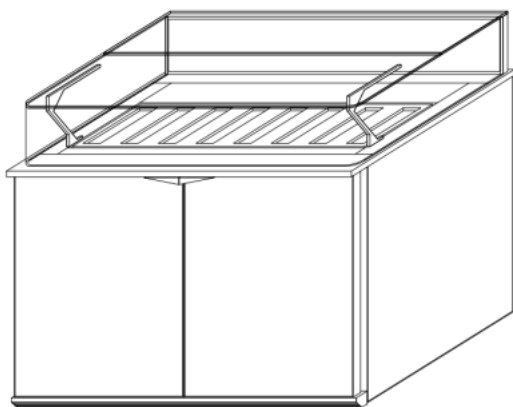
和勝記工業大廈 7 樓

[74] 天標知識產權代理有限公司

香港

九龍尖沙咀加連威老道 14 號

加連威大廈 4 樓 A 座



[11] 2423428.2

[15] 31-05-2024

[51] Cl. 6-04

[54] 儲存櫃

Storage cabinet

[73] 彭韋棠

PANG, Wai Tung Peter

香港

九龍觀塘偉業街 138 號

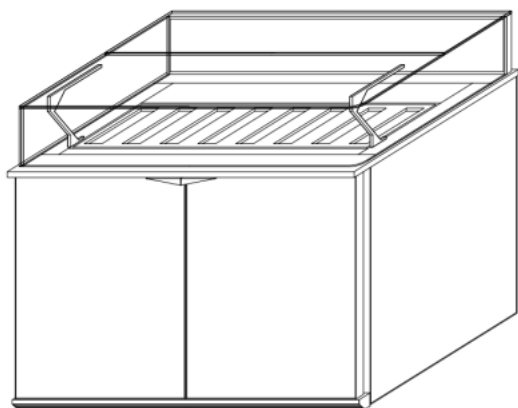
和勝記工業大廈 7 樓

[74] 天標知識產權代理有限公司

香港

九龍尖沙咀加連威老道 14 號

加連威大廈 4 樓 A 座



[11] 2423447.2

[15] 04-06-2024

[30] 12-12-2023 / US / 29/920,686

[51] Cl. 6-04

[54] 櫃子
Cabinet

[73] 蘋果公司
APPLE INC.
ONE APPLE PARK WAY, CUPERTINO,
CALIFORNIA,
UNITED STATES OF AMERICA

[74] CLT PATENT & TRADEMARK (H.K.) LIMITED
Unit 09, 34/F., Office Tower, Convention Plaza,
1 Harbour Road, Wanchai,
Hong Kong



[11] 2423449.6

[15] 04-06-2024

[51] Cl. 11-01

[54] 手鏈

Bracelet

[73] 蒂廷國際有限公司

香港

九龍紅磡民裕街 41 號

凱旋工商中心一期一樓, A3 室

[74] 蒂廷國際有限公司

香港

九龍紅磡民裕街 41 號

凱旋工商中心一期一樓, A3 室



[11] 2423450.8

[15] 04-06-2024

[51] Cl. 11-01

[54] 手鏈

Bracelet

[73] 蒂廷國際有限公司

香港

九龍紅磡民裕街 41 號

凱旋工商中心一期一樓, A3 室

[74] 蒂廷國際有限公司

香港

九龍紅磡民裕街 41 號

凱旋工商中心一期一樓, A3 室



[11] 2423451.0

[15] 04-06-2024

[51] Cl. 11-01

[54] 手鏈

Bracelet

[73] 蒂廷國際有限公司

香港

九龍紅磡民裕街 41 號

凱旋工商中心一期一樓, A3 室

[74] 蒂廷國際有限公司

香港

九龍紅磡民裕街 41 號

凱旋工商中心一期一樓, A3 室



[11] 2423452.2

[15] 04-06-2024

[51] Cl. 11-01

[54] 手鏈

Bracelet

[73] 蒂廷國際有限公司

香港

九龍紅磡民裕街 41 號
凱旋工商中心一期一樓, A3 室

[74] 蒂廷國際有限公司

香港

九龍紅磡民裕街 41 號

凱旋工商中心一期一樓, A3 室



[11] 2423453.4

[15] 04-06-2024

[51] Cl. 11-01

[54] 吊咀

Pendant

[73] 蒂廷國際有限公司

香港

九龍紅磡民裕街 41 號

凱旋工商中心一期一樓, A3 室

[74] 蒂廷國際有限公司

香港

九龍紅磡民裕街 41 號

凱旋工商中心一期一樓, A3 室



[11] 2423557.6M001

[15] 21-06-2024

[51] Cl. 9-03

[54] 包裝盒

Packaging box

[73] 李燕成

Lee Yin Shing

香港

九龍旺角

洗衣街 89 號 A2 地鋪

高峰藥房

[74] 李燕成

香港

九龍旺角

洗衣街 89 號 A2 地鋪高峰藥房



[11] 2423557.6M002

[15] 21-06-2024

[51] Cl. 9-03

[54] 包裝盒

Packaging box

[73] 李燕成

Lee Yin Shing

香港

九龍旺角

洗衣街 89 號 A2 地鋪

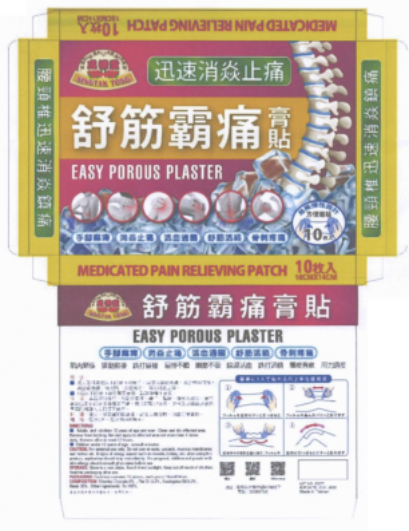
高峰藥房

[74] 李燕成

香港

九龍旺角

洗衣街 89 號 A2 地鋪高峰藥房



[11] 2423574.1M001

[15] 21-06-2024

[30] 22-12-2023 / US / 29/922,637

[51] Cl. 6-01

[54] 長凳

Bench

[73] 苹果公司

APPLE INC.

One Apple Park Way, Cupertino,

California, 95014,

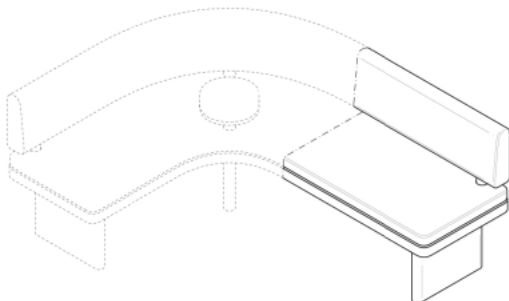
United States of America

[74] CLT PATENT & TRADEMARK (H.K.) LIMITED

Unit 09, 34/F., Office Tower, Convention Plaza,

1 Harbour Road, Wanchai,

Hong Kong



[11] 2423574.1M002

[15] 21-06-2024

[30] 22-12-2023 / US / 29/922,637

[51] Cl. 6-01

[54] 長凳

Bench

[73] 苹果公司

APPLE INC.

One Apple Park Way, Cupertino,

California, 95014,

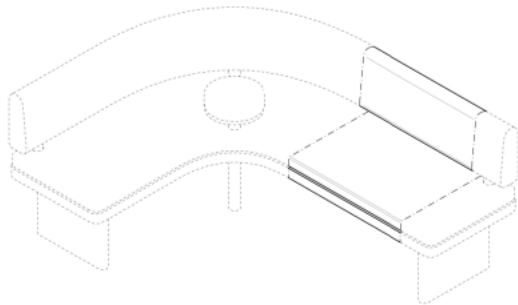
United States of America

[74] CLT PATENT & TRADEMARK (H.K.) LIMITED

Unit 09, 34/F., Office Tower, Convention Plaza,

1 Harbour Road, Wanchai,

Hong Kong



[11] 2423574.1M003

[15] 21-06-2024

[30] 22-12-2023 / US / 29/922,637

[51] Cl. 6-01

[54] 長凳

Bench

[73] 苹果公司

APPLE INC.

One Apple Park Way, Cupertino,

California, 95014,

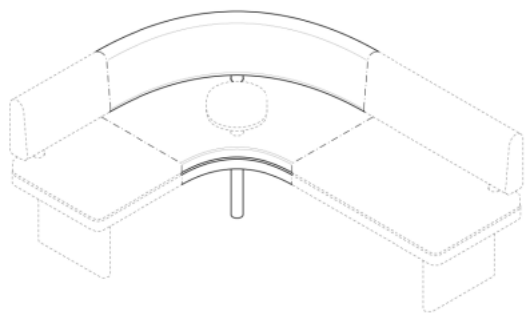
United States of America

[74] CLT PATENT & TRADEMARK (H.K.) LIMITED

Unit 09, 34/F., Office Tower, Convention Plaza,

1 Harbour Road, Wanchai,

Hong Kong



[11] 2423574.1M004

[15] 21-06-2024

[30] 22-12-2023 / US / 29/922,637

[51] Cl. 6-01

[54] 長凳

Bench

[73] 苹果公司

APPLE INC.

One Apple Park Way, Cupertino,

California, 95014,

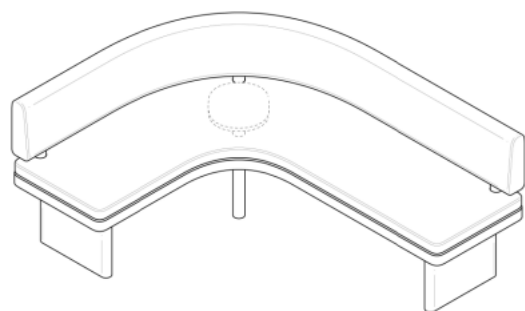
United States of America

[74] CLT PATENT & TRADEMARK (H.K.) LIMITED

Unit 09, 34/F., Office Tower, Convention Plaza,

1 Harbour Road, Wanchai,

Hong Kong



[11] 2423574.1M005

[15] 21-06-2024

[30] 22-12-2023 / US / 29/922,637

[51] Cl. 6-01

[54] 長凳

Bench

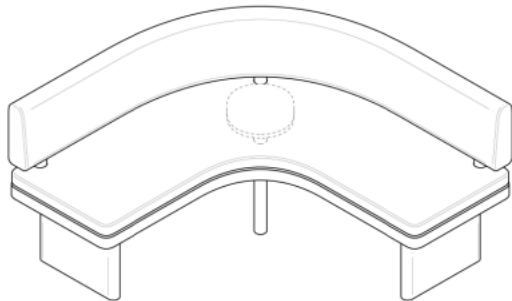
[73] 苹果公司

APPLE INC.

One Apple Park Way, Cupertino,

California, 95014,
United States of America

[74] CLT PATENT & TRADEMARK (H.K.) LIMITED
Unit 09, 34/F., Office Tower, Convention Plaza,
1 Harbour Road, Wanchai,
Hong Kong



[11] 2423574.1M006

[15] 21-06-2024

[30] 22-12-2023 / US / 29/922,637

[51] Cl. 6-01

[54] 長凳

Bench

[73] 苹果公司

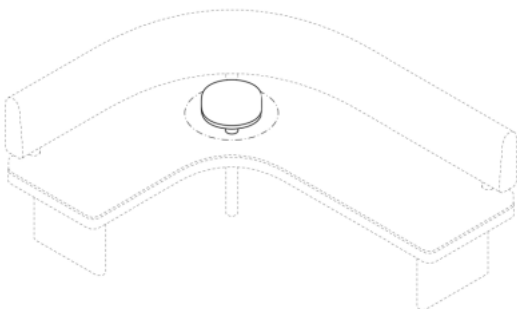
APPLE INC.

One Apple Park Way, Cupertino,

California, 95014,

United States of America

[74] CLT PATENT & TRADEMARK (H.K.) LIMITED
Unit 09, 34/F., Office Tower, Convention Plaza,
1 Harbour Road, Wanchai,
Hong Kong



[11] 2423574.1M007

[15] 21-06-2024

[30] 22-12-2023 / US / 29/922,637

[51] Cl. 6-01

[54] 長凳

Bench

[73] 苹果公司

APPLE INC.

One Apple Park Way, Cupertino,

California, 95014,

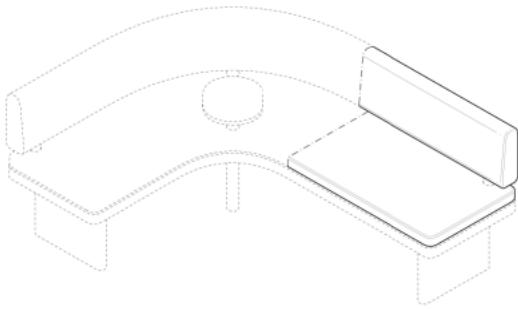
United States of America

[74] CLT PATENT & TRADEMARK (H.K.) LIMITED

Unit 09, 34/F., Office Tower, Convention Plaza,

1 Harbour Road, Wanchai,

Hong Kong



[11] 2423587.9

[15] 25-06-2024

[30] 12-01-2024 / CA, AM, AZ, BZ, BA, GE, LI, MK, MD, MC, MN, ME,
MA, NO, OM, RU, SG, CH, TN, TR, UA, GB, EU, AL, KG / DM/235
833

[51] Cl. 10-07

[54] 錶面

Dial

[73] Harry Winston SA

Chemin du Tourbillon 8,

CH-1228 Plan-les-Ouates,

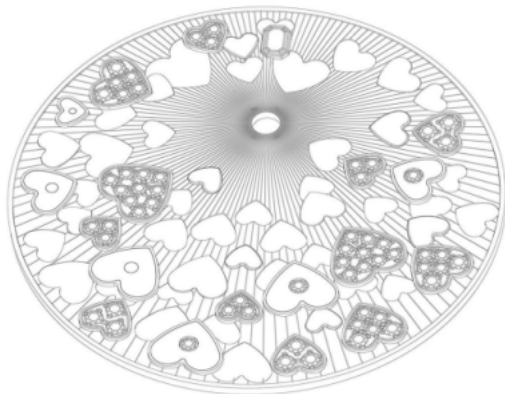
Switzerland

[74] SPRUSON & FERGUSON (HONG KONG) LIMITED

5001 Hopewell Centre,

183 Queen's Road East, Wan Chai,

Hong Kong



[11] 2423636.4M001

[15] 03-07-2024

[30] 03-01-2024 / EU / 015046432-0002

[51] Cl. 11-01

[54] 珠寶

Jewellery

[73] FRED PARIS

29 rue des Pyramides,

75001 PARIS,

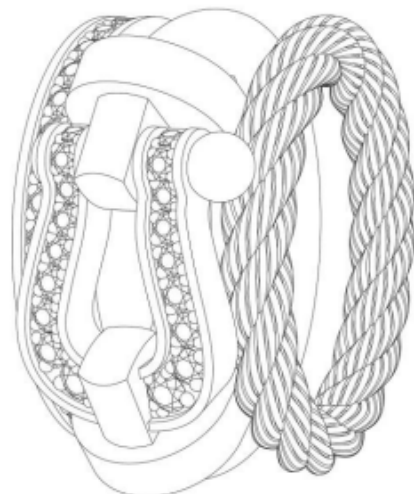
FRANCE

[74] LETTERS & THOO LIMITED

Suite 1001-1003, 10/F, Prosperity Millennia Plaza,

663 King's Road, Quarry Bay,

Hong Kong



[11] 2423636.4M002

[15] 03-07-2024

[30] 03-01-2024 / EU / 015046432-0003

[51] Cl. 11-01

[54] 珠寶

Jewellery

[73] FRED PARIS

29 rue des Pyramides,

75001 PARIS,

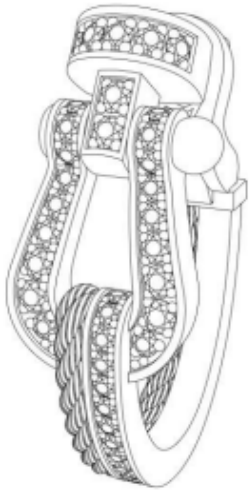
FRANCE

[74] LETTERS & THOO LIMITED

Suite 1001-1003, 10/F, Prosperity Millennia Plaza,

663 King's Road, Quarry Bay,

Hong Kong



[11] 2423636.4M003

[15] 03-07-2024

[30] 03-01-2024 / EU / 015046432-0004

[51] Cl. 11-01

[54] 珠寶

Jewellery

[73] FRED PARIS

29 rue des Pyramides,

75001 PARIS,

FRANCE

[74] LETTERS & THOO LIMITED

Suite 1001-1003, 10/F, Prosperity Millennia Plaza,

663 King's Road, Quarry Bay,

Hong Kong



[11] 2423670.5M001

[15] 11-07-2024

[30] 30-04-2024 / CA, BR, MX, CN, CH, GB, US, EU, JP / DM/237023

[51] Cl. 6-13

[54] 床墊套

Mattress cover

[73] Emma Sleep GmbH

Wilhelm-Leuschner-Straße 78,

60329 Frankfurt am Main,

Germany

[74] VIVIEN CHAN & CO

32/F, Harbour Centre,

25 Harbour Road, Wanchai,

Hong Kong



[11] 2423670.5M002

[15] 11-07-2024

[30] 30-04-2024 / CA, BR, MX, CN, CH, GB, US, EU, JP / DM/237023

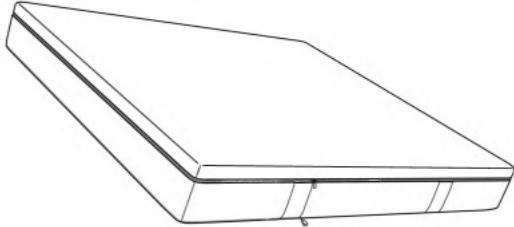
[51] Cl. 6-13

[54] 床墊套

Mattress cover

[73] Emma Sleep GmbH
Wilhelm-Leuschner-Straße 78,
60329 Frankfurt am Main,
Germany

[74] VIVIEN CHAN & CO
32/F, Harbour Centre,
25 Harbour Road, Wanchai,
Hong Kong



[11] 2423670.5M003

[15] 11-07-2024

[30] 30-04-2024 / CA, BR, MX, CN, CH, GB, US, EU, JP / DM/237023

[51] Cl. 6-13

[54] 床墊套

Mattress cover

[73] Emma Sleep GmbH
Wilhelm-Leuschner-Straße 78,
60329 Frankfurt am Main,
Germany

[74] VIVIEN CHAN & CO
32/F, Harbour Centre,
25 Harbour Road, Wanchai,
Hong Kong



[11] 2423694.5M001

[15] 16-07-2024

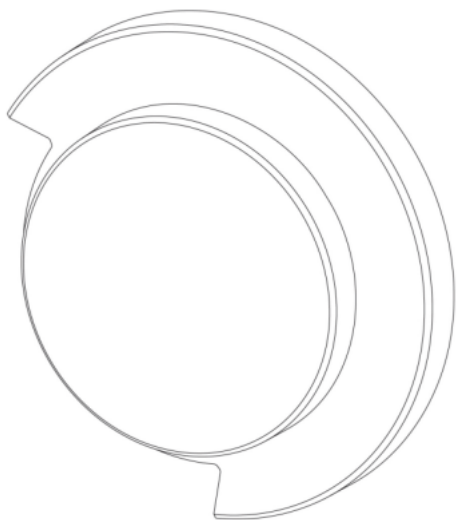
[30] 31-01-2024 / GB / 6343519

[51] Cl. 14-01

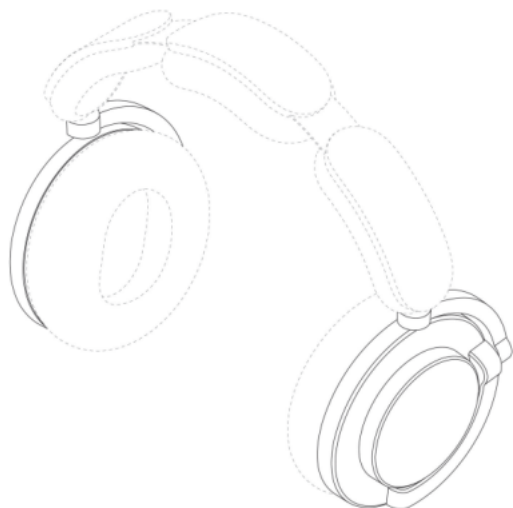
[54] 耳機部件

Headphone part

- [73] Dyson Technology Limited
Tetbury Hill, Malmesbury, Wiltshire, SN16 0RP,
United Kingdom
- [74] LIU, SHEN & ASSOCIATES
Room 3716, 37/F, Sun Hung Kai Centre,
30 Harbour Road, Wanchai,
Hong Kong



-
- [11] 2423694.5M002
- [15] 16-07-2024
- [30] 31-01-2024 / GB / 6343520
- [51] Cl. 14-01
- [54] 耳機部件
Headphone part
- [73] Dyson Technology Limited
Tetbury Hill, Malmesbury, Wiltshire, SN16 0RP,
United Kingdom
- [74] LIU, SHEN & ASSOCIATES
Room 3716, 37/F, Sun Hung Kai Centre,
30 Harbour Road, Wanchai,
Hong Kong



[11] 2423696.0M001

[15] 16-07-2024

[30] 30-01-2024 / EU / 015049140-0010

[51] Cl. 14-02

[54] 智能筆

Smart pen

[73] Schwan-STABILO Schwanhaeusser GmbH & Co. KG
Schwanweg 1, 90562 Heroldsberg,
Germany

[74] ROUSE & CO. INTERNATIONAL (OVERSEAS) LIMITED
26/F., Tesbury Centre,
28 Queen's Road East,
Hong Kong



[11] 2423696.0M002

[15] 16-07-2024

[30] 30-01-2024 / EU / 015049140-0012

[51] Cl. 14-02

[54] 智能筆

Smart pen

[73] Schwan-STABILO Schwanhaeusser GmbH & Co. KG

Schwanweg 1, 90562 Heroldsberg,

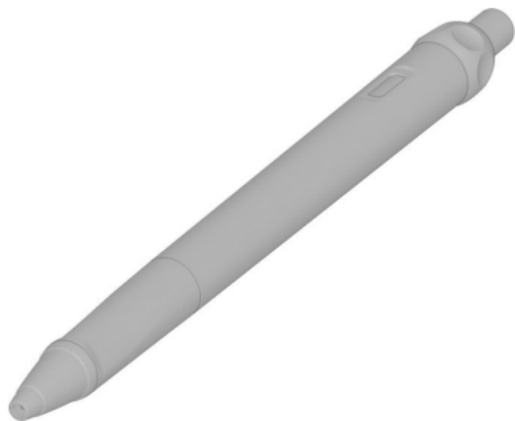
Germany

[74] ROUSE & CO. INTERNATIONAL (OVERSEAS) LIMITED

26/F., Tesbury Centre,

28 Queen's Road East,

Hong Kong



[11] 2423697.2

[15] 16-07-2024

[51] Cl. 14-01

[54] 數字音頻播放器

Digital audio player

[73] Dreamus Company

311, Gangnam-daero,

Seocho-gu, Seoul, 06628,

Republic of Korea

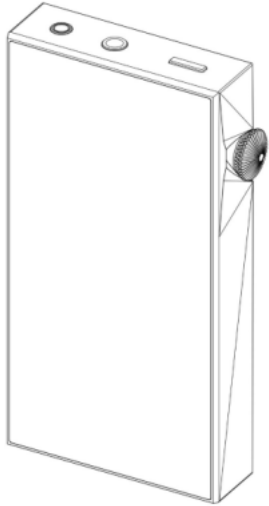
[74] HKIPA LIMITED

Unit 230, 2/F, Building 12W,

No. 12 Science Park West Avenue, Phase 3,

Hong Kong Science Park, Pak Shek Kok, New Territories,

Hong Kong



[11] 2423698.4

[15] 16-07-2024

[51] Cl. 14-03

[54] 網絡對講機

Network walkie talkie

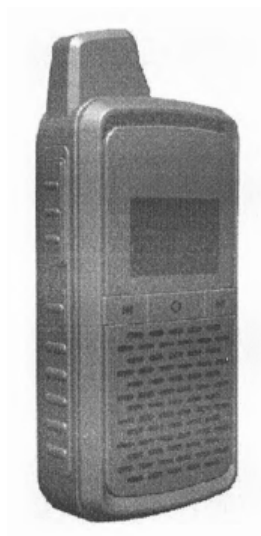
[73] 普思電訊有限公司

CPS Telecom Limited

Office B, 15/F., King Palace Plaza,
55 King Yip Street, Kwun Tong, Kowloon,
Hong Kong

[74] CPS Telecom Limited

Office B, 15/F., King Palace Plaza,
55 King Yip Street, Kwun Tong, Kowloon,
Hong Kong





香港特別行政區政府知識產權署外觀設計註冊處

The Government of the Hong Kong Special Administrative Region

Designs Registry, Intellectual Property Department

根據註冊外觀設計條例第 28 條，下列註冊外觀設計因未繳續期費而停止有效。

各組記項按註冊外觀設計停止有效日期及註冊編號先後次序排列。

Registered designs ceased through non-payment of renewal fees under section 28 of the Registered Designs Ordinance. Entries are listed below under their expiry dates.

08-08-2024 - 14-08-2024

08-08-2024

0411769.7	1914442.3
0412133.9	1914443.5
1914423.3M001	1914444.7
1914423.3M002	1914450.0

1914423.3M003

1914423.3M003

1914425.8M001

1914425.8M002

1914425.8M003

1914426.0

1914437.3

12-08-2024

0411801.6

1401502.2

1914453.6M001

1914453.6M002

1914455.1

10-08-2024

0411784.8M001

1401474.0

1401475.3M001

1401475.3M005

13-08-2024

0901297.8M001

0901297.8M002

0901297.8M003

0901297.8M004

1401505.9M001

1401508.5

1401510.9M002

1914458.7

1914459.9

1914461.3

11-08-2024

0411793.7

0411794.9

0411795.2

0411796.4

1401482.7M001

1401482.7M002

1401482.7M003

1401488.0

1401489.2

1914439.7M001

1914439.7M002

1914439.7M003

1914441.1M001

1914441.1M002

1914441.1M003

14-08-2024

1401512.3M001

1401512.3M002

1401515.0

1401516.2

1914463.7M001

1914463.7M002

1914463.7M003

1914464.9



香港特別行政區政府知識產權署外觀設計註冊處

The Government of the Hong Kong Special Administrative Region

Designs Registry, Intellectual Property Department

根據註冊外觀設計規則第 31 條刪除的註冊外觀設計。各組記項按註冊外觀設計刪除日期及註冊編號先後次序排列。

Registered designs removed under section 31 of the Registered Designs Rules. Entries are listed below under their removal dates.

16-08-2024 - 22-08-2024**16-08-2024**

0900197.5

17-08-2024

0900206.6M001

0900206.6M002

1400216.4

1400217.6

1400218.8

1400219.0

1400220.2

18-08-2024

0900207.8

1400124.8

1400226.5M001

1400226.5M004

1400226.5M005

1400226.5M006

1400226.5M007

1400226.5M008

1400226.5M009

1400226.5M010

1400226.5M011

1400226.5M012

1400226.5M013

1400226.5M014

1400226.5M015

1400226.5M016

1400226.5M017

1400226.5M018

1400235.4

1913030.9

19-08-2024

0410285.9

0410291.1M006

1913031.1

20-08-2024

0900229.4

0900230.6

1913036.2

21-08-2024

1400254.3

1400255.6

1400256.8M001

1400256.8M002

1400256.8M003

1400256.8M004

1400256.8M005

1400259.4

1400261.8

22-08-2024

1913041.2M001

1913041.2M002

1913041.2M003

1913042.4

1913045.1M001

1913045.1M002