

# 香港知識產權公報

Hong Kong Intellectual Property Journal

2024 年 12 月 6 日  
06 December 2024



## 目錄 Contents

### 根據註冊外觀設計條例第 25 條註冊的外觀設計

#### **Designs Registered under section 25 of the Registered Designs Ordinance**

按註冊編號排列

Arranged by Registration Number

### 根據註冊外觀設計條例(第 522 章)公布的其他公告

#### **Other Notices Published under the Registered Designs Ordinance (Cap. 522)**

根據註冊外觀設計條例第 28 條，註冊外觀設計因未繳續期費而停止有效

Registered designs ceased through non-payment of renewal fees under section 28 of the Registered Designs Ordinance

根據註冊外觀設計規則第 31 條刪除的註冊外觀設計

Registered designs removed under section 31 of the Registered Designs Rules

根據註冊外觀設計條例第 76 條，更正已提交文件中的錯誤

Correction of errors in filed documents under section 76 of the Registered Designs Ordinance

### 以下事項沒有記錄

#### **No Records for the Following Matters**

根據註冊外觀設計條例第 30 條放棄的外觀設計的註冊

Surrender of Registration of Design under section 30 of the Registered Designs Ordinance

根據註冊外觀設計規則第 37 條，向處長作出轉介

Reference to Registrar under section 37 of the Registered Designs Rules

根據註冊外觀設計條例第 45 條，撤銷註冊

Revocation of Registration under section 45 of the Registered Designs Ordinance

根據註冊外觀設計規則第 46 條，向法院作出轉介

Reference to Court under section 46 of the Registered Designs Rules

根據註冊外觀設計規則第 63 條對不符合規定之處作出糾正

Rectification of Irregularities under section 63 of the Registered Designs Rules

根據註冊外觀設計條例第 66 條，糾正註冊紀錄冊

Rectification of Register under section 66 of the Registered Designs Ordinance

根據註冊外觀設計條例第 67 條 更正註冊紀錄冊內的錯誤

Correction of errors in Register under section 67 of the Registered Designs Ordinance

根據註冊外觀設計條例第 67 及 76 條，更正註冊紀錄冊內及已提交文件中的錯誤

Correction of Errors in Register and in Filed Documents under sections 67 and 76 of the Registered Designs Ordinance

勘誤

Corrigendum

## 註冊外觀設計公告註釋

### Notes on advertisements of registration of designs

方括號表示下列資料：

Square brackets indicate the following data：

[11] 註冊編號 Registration number / 聯合王國註冊編號 United Kingdom registration number

[15] 註冊日期 Registration date / 當作註冊日期 Deemed registration date / 聯合王國註冊日期 United Kingdom registration date

[17] 註冊有效期屆滿日期 Expiry date of the period of registration

[22] 提交日期 Filing date / 當作提交日期 Deemed filing date / 聯合王國提交日期 United Kingdom filing date

[30] 聲稱享有的優先權（提交日期 / 巴黎公約國或世界貿易組織成員 / 申請編號） Priority claimed (filing date / Paris Convention country or WTO member / application number)

[51] 國際外觀設計分類號（洛迦諾分類號） International Classification of designs (Locarno Classification)

[54] 物品 Article

[55] 外觀設計的表述 Representation of the design

[62] 分開前的申請編號及提交日期 Application number before division and filing date

[66] 過往註冊的聯繫外觀設計註冊編號 / 日期 Registration No. / Date of Previous Registration for Association

[72] 設計人 Designer

[73] 擁有人姓名和地址 Name and address of the owner

[74] 代理人 Agent /送達地址 Address for service



香港特別行政區政府知識產權署外觀設計註冊處

The Government of the Hong Kong Special Administrative Region

Designs Registry, Intellectual Property Department

## 根據註冊外觀設計條例第 25 條註冊的外觀設計

### Designs registered under section 25 of the Registered Designs Ordinance

按註冊編號排列

Arranged by Registration Number

[11] 2322507.9M001

[15] 05-12-2023

[30] 06-06-2023 / DE / 40 2023 100 367.9

[51] Cl. 21-01

[54] 玩具或比例模型車

Toy or scale model vehicle

[73] Bayerische Motoren Werke Aktiengesellschaft

Petuelring 130,

80809 Muenchen,

Germany

[74] HASTINGS & CO

1101, 11th Floor, Gloucester Tower,

The Landmark,

15 Queen's Road Central,

Hong Kong



---

[11] 2322507.9M002

[15] 05-12-2023

[30] 06-06-2023 / DE / 40 2023 100 367.9

[51] Cl. 21-01

[54] 玩具或比例模型車

Toy or scale model vehicle

[73] Bayerische Motoren Werke Aktiengesellschaft

Petuelring 130,

80809 Muenchen,  
Germany

[74] HASTINGS & CO  
1101, 11th Floor, Gloucester Tower,  
The Landmark,  
15 Queen's Road Central,  
Hong Kong



---

[11] 2322507.9M003

[15] 05-12-2023

[30] 06-06-2023 / DE / 40 2023 100 367.9

[51] Cl. 21-01

[54] 玩具或比例模型車

Toy or scale model vehicle

[73] Bayerische Motoren Werke Aktiengesellschaft

Petuelring 130,

80809 Muenchen,

Germany

[74] HASTINGS & CO

1101, 11th Floor, Gloucester Tower,

The Landmark,

15 Queen's Road Central,

Hong Kong



---

[11] 2423126.2

[15] 12-04-2024

[30] 24-11-2023 / CN / 2023307725350

[51] Cl. 14-04

- [54] 電子設備的藥品搜索圖形用戶界面的藥品信息展示界面  
Drug information display interface of drug search graphical user interface of electronic device
- [73] 阿里健康科技(杭州)有限公司  
Alibaba Health Technology (Hangzhou) Company Limited  
中國  
311121 浙江省杭州市余杭区五常街道  
文一西路 969 号 6 幢 2 层 213 室
- [74] 三友知識產權代理有限公司  
香港  
德輔道中 188 號  
金龍中心 23 樓 2301 室



- 
- [11] 2423190.6M001
  - [15] 23-04-2024
  - [51] C1. 9-03
  - [54] 包裝盒  
Packaging box
  - [73] 趙書玲  
香港  
葵涌  
打磚坪街 49-53 號華基工業大廈第一期 20 樓 L 室
  - [74] 趙書玲  
香港  
葵涌  
打磚坪街 49-53 號華基工業大廈第一期 20 樓 L 室





[11] 2423190.6M002

[15] 23-04-2024

[51] C1. 9-03

[54] 包裝盒  
Packaging box

[73] 趙書玲  
香港  
葵涌  
打磚坪街 49-53 號華基工業大廈第一期 20 樓 L 室

[74] 趙書玲  
香港  
葵涌  
打磚坪街 49-53 號華基工業大廈第一期 20 樓 L 室



[11] 2423377.3M001

[15] 24-05-2024

[51] C1. 24-04

[54] 耳塞

Earplugs

[73] SACCATER TECHNOLOGIES COMPANY LIMITED

2306 PROSPER COMMERCIAL BUILDING,

9 YIN CHONG STREET, MONGKOK,

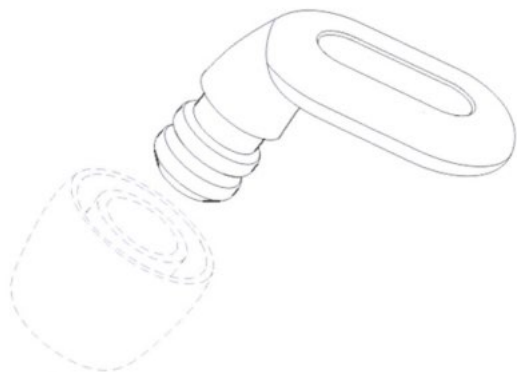
HONG KONG

[74] SACCATER TECHNOLOGIES COMPANY LIMITED

2306 PROSPER COMMERCIAL BUILDING,

9 YIN CHONG STREET, MONGKOK,

HONG KONG



---

[11] 2423722.6

[15] 18-07-2024

[30] 27-02-2024 / EU / 015052005

[51] Cl. 24-02

[54] 用於母乳泵的圖案

Pattern for breast pump

[73] Koninklijke Philips N.V.

High Tech Campus 52,

5656 AG Eindhoven,

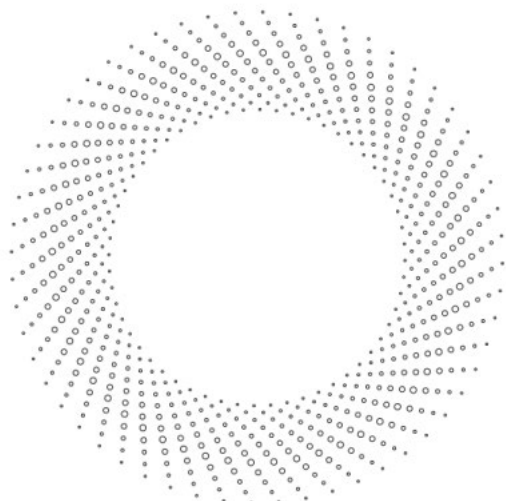
Netherlands

[74] ROUSE & CO. INTERNATIONAL (OVERSEAS) LIMITED

26/F., Tesbury Centre,

28 Queen's Road East,

Hong Kong



---

[11] 2423781.0

[15] 30-07-2024

[30] 13-03-2024 / CN / 2024301280254

[51] C1. 28-03

[54] 美容燈

Beauty lamp

[73] 深圳由萊智能電子有限公司

SHENZHEN ULIKE SMART ELECTRONICS CO., LTD.

ROOM 810, BUILDING 1, XUNMEI TECHNOLOGY PLAZA,

NO. 8 KEYUAN ROAD, SCIENCE AND TECHNOLOGY PARK COMMUNITY,

YUEHAI STREET, NANSHAN DISTRICT, SHENZHEN, GUANGDONG 518000,

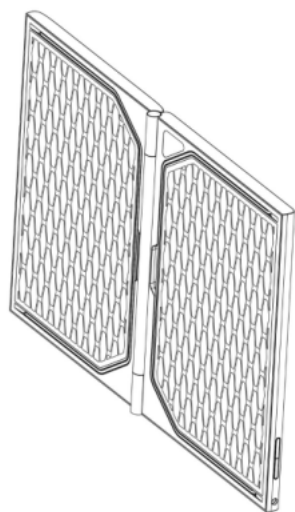
CHINA

[74] GLOBAL IP AGENT COMPANY LIMITED

9/F., GOODWILL INDUSTRIAL BUILDING,

36-44 PAK TIN PAR STREET, TSUEN WAN,

HONG KONG



- [11] 2423843.2  
[15] 13-08-2024  
[30] 01-03-2024 / EU / 015052358-0001  
[51] Cl. 3-01  
[54] 手袋  
Handbag  
[73] BALENCIAGA  
16-18 rue Vaneau,  
75007 Paris,  
FRANCE  
[74] DEACONS  
5th Floor, Alexandra House,  
Central,  
Hong Kong



- 
- [11] 2423885.1M001  
[15] 22-08-2024  
[30] 27-02-2024 / EU / 015052004-0001  
[51] Cl. 24-02  
[54] 母乳泵  
Breast pump  
[73] Koninklijke Philips N.V.  
High Tech Campus 52  
5656 AG Eindhoven  
NETHERLANDS  
[74] ROUSE & CO. INTERNATIONAL (OVERSEAS) LIMITED  
26/F., Tesbury Centre,  
28 Queen's Road East,  
Hong Kong



---

[11] 2423885.1M002

[15] 22-08-2024

[30] 27-02-2024 / EU / 015052004-0002

[51] Cl. 24-02

[54] 母乳泵

Breast pump

[73] Koninklijke Philips N.V.

High Tech Campus 52

5656 AG Eindhoven

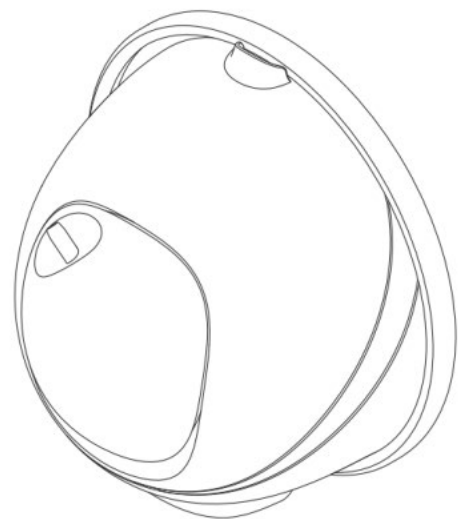
NETHERLANDS

[74] ROUSE & CO. INTERNATIONAL (OVERSEAS) LIMITED

26/F., Tesbury Centre,

28 Queen's Road East,

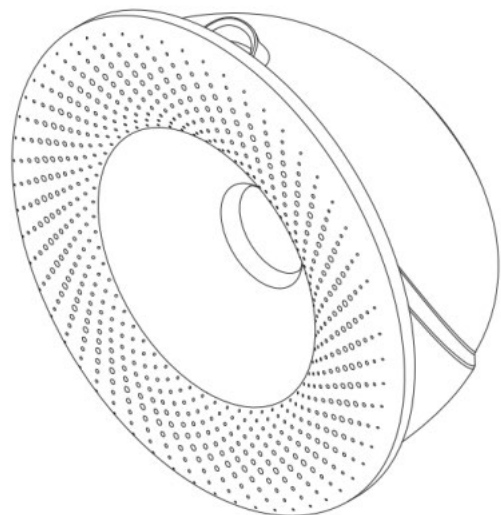
Hong Kong



- [11] 2423885.1M003  
[15] 22-08-2024  
[30] 27-02-2024 / EU / 015052004-0003  
[51] Cl. 24-02  
[54] 母乳泵  
Breast pump  
[73] Koninklijke Philips N.V.  
High Tech Campus 52  
5656 AG Eindhoven  
NETHERLANDS  
[74] ROUSE & CO. INTERNATIONAL (OVERSEAS) LIMITED  
26/F., Tesbury Centre,  
28 Queen's Road East,  
Hong Kong



- 
- [11] 2423885.1M004  
[15] 22-08-2024  
[30] 27-02-2024 / EU / 015052004-0004  
[51] Cl. 24-02  
[54] 母乳泵  
Breast pump  
[73] Koninklijke Philips N.V.  
High Tech Campus 52  
5656 AG Eindhoven  
NETHERLANDS  
[74] ROUSE & CO. INTERNATIONAL (OVERSEAS) LIMITED  
26/F., Tesbury Centre,  
28 Queen's Road East,  
Hong Kong



[11] 2423885.1M005

[15] 22-08-2024

[30] 27-02-2024 / EU / 015052004-0005

[51] Cl. 24-02

[54] 母乳泵

Breast pump

[73] Koninklijke Philips N.V.

High Tech Campus 52

5656 AG Eindhoven

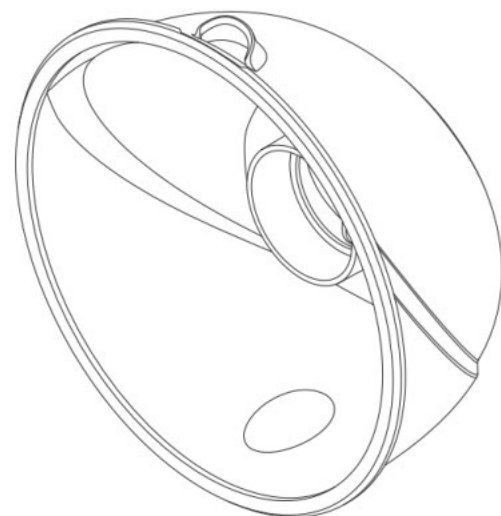
NETHERLANDS

[74] ROUSE & CO. INTERNATIONAL (OVERSEAS) LIMITED

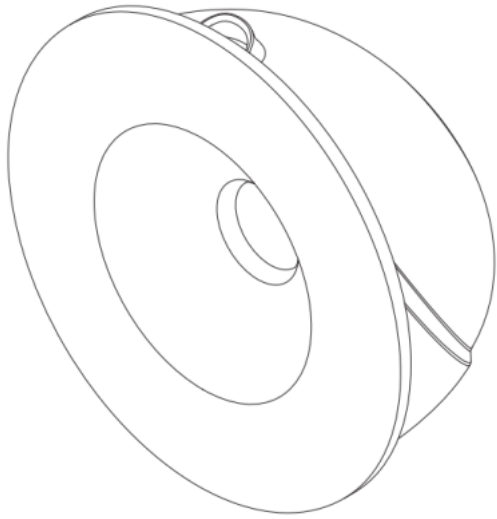
26/F., Tesbury Centre,

28 Queen's Road East,

Hong Kong

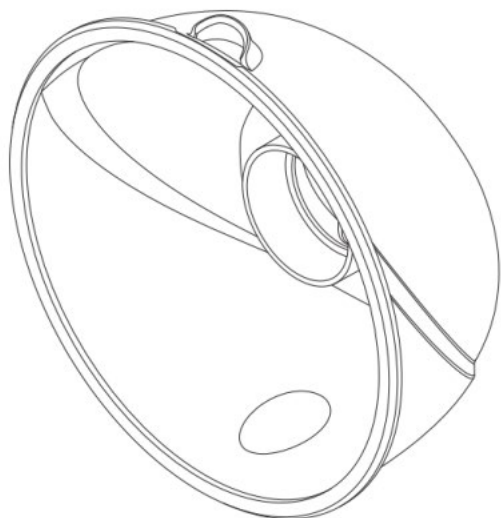


- [11] 2423885.1M006  
[15] 22-08-2024  
[30] 27-02-2024 / EU / 015052004-0006  
[51] Cl. 24-02  
[54] 母乳泵  
Breast pump  
[73] Koninklijke Philips N.V.  
High Tech Campus 52  
5656 AG Eindhoven  
NETHERLANDS  
[74] ROUSE & CO. INTERNATIONAL (OVERSEAS) LIMITED  
26/F., Tesbury Centre,  
28 Queen's Road East,  
Hong Kong



- 
- [11] 2423885.1M007  
[15] 22-08-2024  
[30] 27-02-2024 / EU / 015052004-0007  
[51] Cl. 24-02  
[54] 母乳泵  
Breast pump  
[73] Koninklijke Philips N.V.  
High Tech Campus 52  
5656 AG Eindhoven  
NETHERLANDS  
[74] ROUSE & CO. INTERNATIONAL (OVERSEAS) LIMITED  
26/F., Tesbury Centre,  
28 Queen's Road East,  
Hong Kong





[11] 2423885.1M008

[15] 22-08-2024

[30] 27-02-2024 / EU / 015052004-0008

[51] Cl. 24-02

[54] 母乳泵

Breast pump

[73] Koninklijke Philips N.V.

High Tech Campus 52

5656 AG Eindhoven

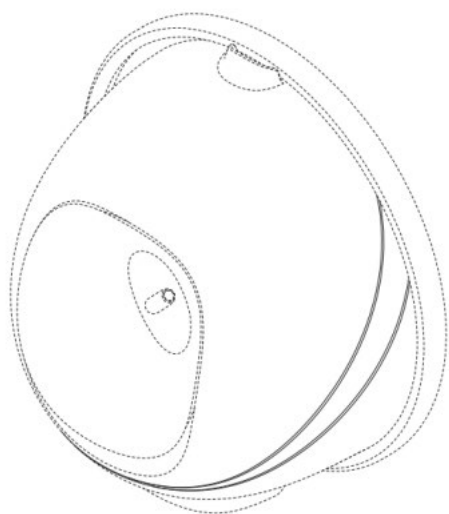
NETHERLANDS

[74] ROUSE & CO. INTERNATIONAL (OVERSEAS) LIMITED

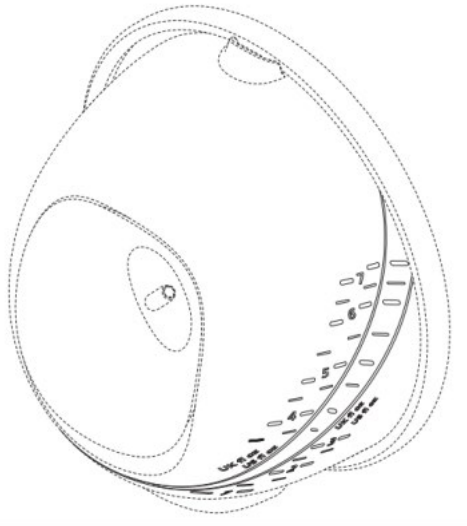
26/F., Tesbury Centre,

28 Queen's Road East,

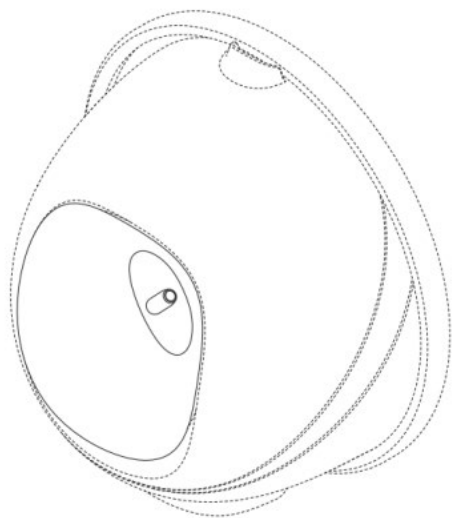
Hong Kong



- [11] 2423885.1M009  
[15] 22-08-2024  
[30] 27-02-2024 / EU / 015052004-0009  
[51] Cl. 24-02  
[54] 母乳泵  
Breast pump  
[73] Koninklijke Philips N.V.  
High Tech Campus 52  
5656 AG Eindhoven  
NETHERLANDS  
[74] ROUSE & CO. INTERNATIONAL (OVERSEAS) LIMITED  
26/F., Tesbury Centre,  
28 Queen's Road East,  
Hong Kong



- 
- [11] 2423885.1M010  
[15] 22-08-2024  
[30] 27-02-2024 / EU / 015052004-0010  
[51] Cl. 24-02  
[54] 母乳泵  
Breast pump  
[73] Koninklijke Philips N.V.  
High Tech Campus 52  
5656 AG Eindhoven  
NETHERLANDS  
[74] ROUSE & CO. INTERNATIONAL (OVERSEAS) LIMITED  
26/F., Tesbury Centre,  
28 Queen's Road East,  
Hong Kong



[11] 2423885.1M011

[15] 22-08-2024

[30] 27-02-2024 / EU / 015052004-0011

[51] Cl. 24-02

[54] 母乳泵

Breast pump

[73] Koninklijke Philips N.V.

High Tech Campus 52

5656 AG Eindhoven

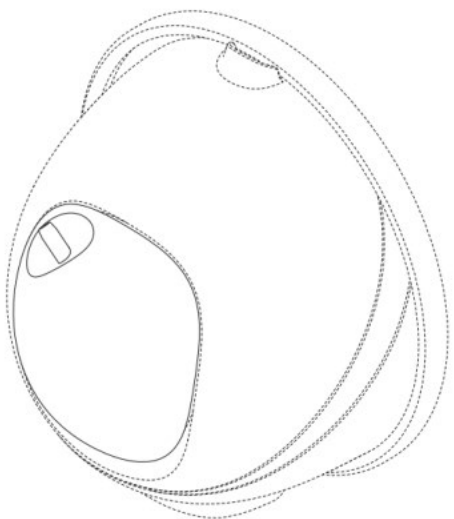
NETHERLANDS

[74] ROUSE & CO. INTERNATIONAL (OVERSEAS) LIMITED

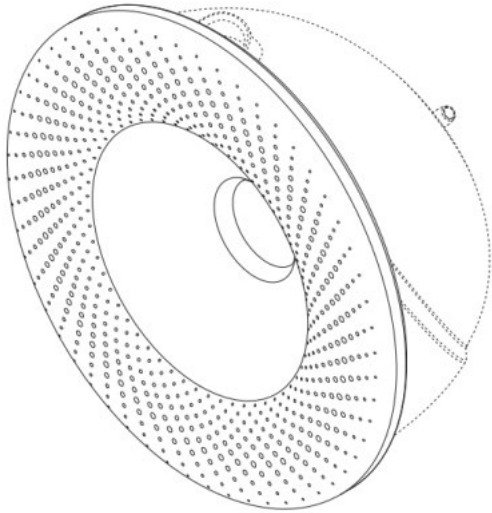
26/F., Tesbury Centre,

28 Queen's Road East,

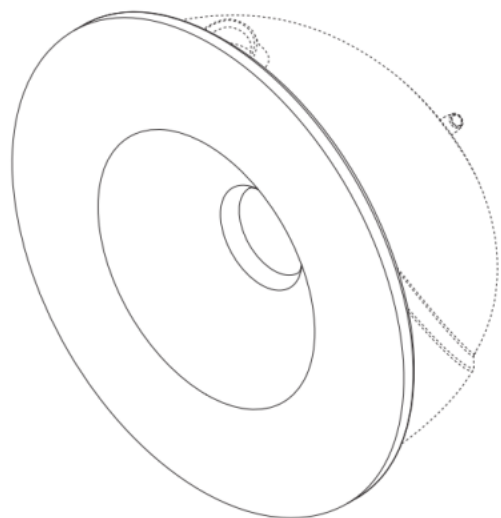
Hong Kong



- [11] 2423885.1M012
- [15] 22-08-2024
- [30] 27-02-2024 / EU / 015052004-0012
- [51] Cl. 24-02
- [54] 母乳泵  
Breast pump
- [73] Koninklijke Philips N.V.  
High Tech Campus 52  
5656 AG Eindhoven  
NETHERLANDS
- [74] ROUSE & CO. INTERNATIONAL (OVERSEAS) LIMITED  
26/F., Tesbury Centre,  
28 Queen's Road East,  
Hong Kong



- 
- [11] 2423885.1M013
  - [15] 22-08-2024
  - [30] 27-02-2024 / EU / 015052004-0013
  - [51] Cl. 24-02
  - [54] 母乳泵  
Breast pump
  - [73] Koninklijke Philips N.V.  
High Tech Campus 52  
5656 AG Eindhoven  
NETHERLANDS
  - [74] ROUSE & CO. INTERNATIONAL (OVERSEAS) LIMITED  
26/F., Tesbury Centre,  
28 Queen's Road East,  
Hong Kong



---

[11] 2423885.1M014

[15] 22-08-2024

[30] 27-02-2024 / EU / 015052004-0014

[51] Cl. 24-02

[54] 母乳泵部件

Part for breast pump

[73] Koninklijke Philips N.V.

High Tech Campus 52

5656 AG Eindhoven

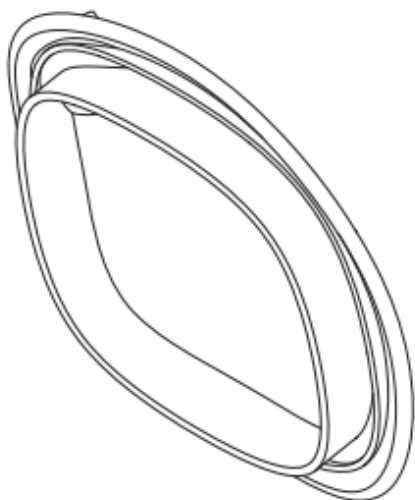
NETHERLANDS

[74] ROUSE & CO. INTERNATIONAL (OVERSEAS) LIMITED

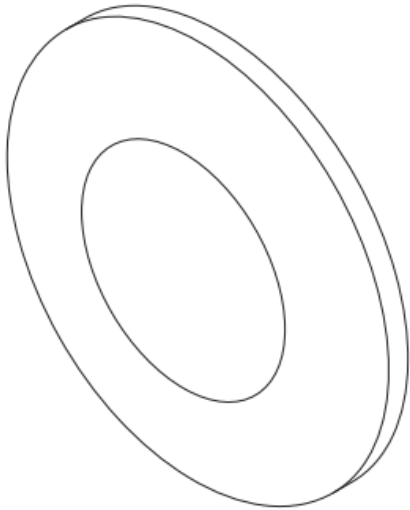
26/F., Tesbury Centre,

28 Queen's Road East,

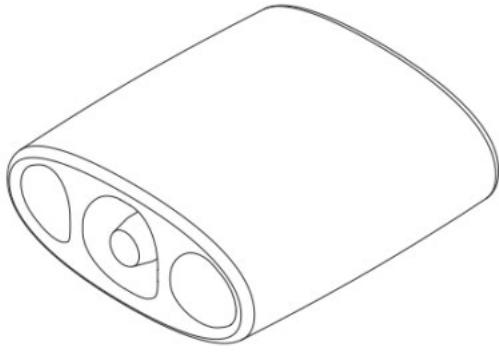
Hong Kong



- [11] 2423885.1M015  
[15] 22-08-2024  
[30] 27-02-2024 / EU / 015052004-0015  
[51] Cl. 24-02  
[54] 用於母乳泵的蓋  
Cap for breast pump  
[73] Koninklijke Philips N.V.  
High Tech Campus 52  
5656 AG Eindhoven  
NETHERLANDS  
[74] ROUSE & CO. INTERNATIONAL (OVERSEAS) LIMITED  
26/F., Tesbury Centre,  
28 Queen's Road East,  
Hong Kong



- 
- [11] 2423885.1M016  
[15] 22-08-2024  
[30] 27-02-2024 / EU / 015052004-0016  
[51] Cl. 24-02  
[54] 用於母乳泵的管接頭  
Tube coupler for breast pump  
[73] Koninklijke Philips N.V.  
High Tech Campus 52  
5656 AG Eindhoven  
NETHERLANDS  
[74] ROUSE & CO. INTERNATIONAL (OVERSEAS) LIMITED  
26/F., Tesbury Centre,  
28 Queen's Road East,  
Hong Kong



---

[11] 2423885.1M017

[15] 22-08-2024

[30] 27-02-2024 / EU / 015052004-0017

[51] Cl. 24-02

[54] 用於母乳泵的管接頭

Tube coupler for breast pump

[73] Koninklijke Philips N.V.

High Tech Campus 52

5656 AG Eindhoven

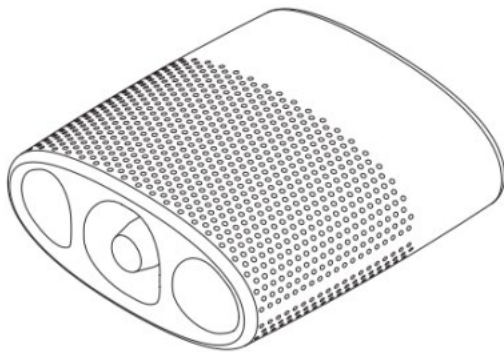
NETHERLANDS

[74] ROUSE & CO. INTERNATIONAL (OVERSEAS) LIMITED

26/F., Tesbury Centre,

28 Queen's Road East,

Hong Kong



---

[11] 2423885.1M018

[15] 22-08-2024

[30] 27-02-2024 / EU / 015052004-0018

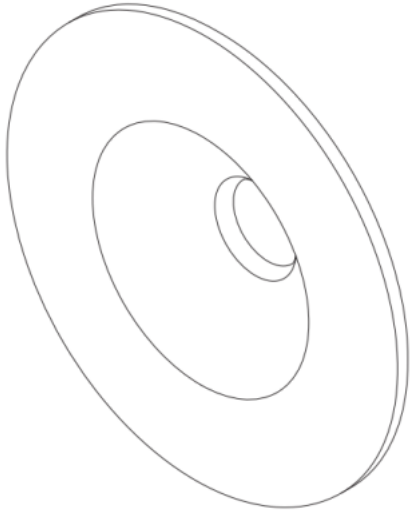
[51] Cl. 24-02

[54] 母乳泵部件

Part for breast pump

[73] Koninklijke Philips N.V.  
High Tech Campus 52  
5656 AG Eindhoven  
NETHERLANDS

[74] ROUSE & CO. INTERNATIONAL (OVERSEAS) LIMITED  
26/F., Tesbury Centre,  
28 Queen's Road East,  
Hong Kong



---

[11] 2423885.1M019

[15] 22-08-2024

[30] 27-02-2024 / EU / 015052004-0019

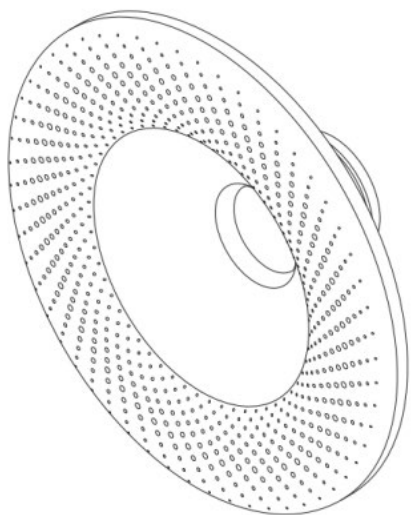
[51] Cl. 24-02

[54] 母乳泵部件  
Part for breast pump

[73] Koninklijke Philips N.V.  
High Tech Campus 52  
5656 AG Eindhoven  
NETHERLANDS

[74] ROUSE & CO. INTERNATIONAL (OVERSEAS) LIMITED  
26/F., Tesbury Centre,  
28 Queen's Road East,  
Hong Kong





---

[11] 2423885.1M020

[15] 22-08-2024

[30] 27-02-2024 / EU / 015052004-0022

[51] Cl. 24-02

[54] 母乳泵插件

Insert for breast pump

[73] Koninklijke Philips N.V.

High Tech Campus 52

5656 AG Eindhoven

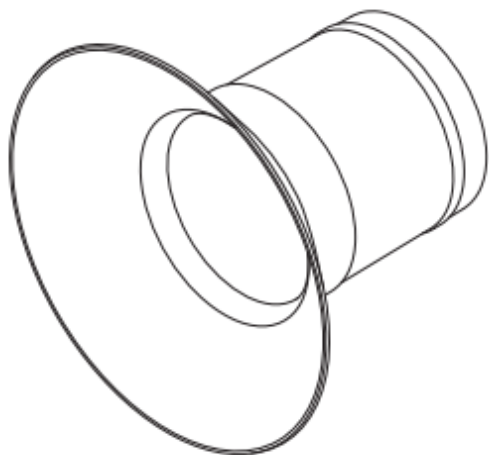
NETHERLANDS

[74] ROUSE & CO. INTERNATIONAL (OVERSEAS) LIMITED

26/F., Tesbury Centre,

28 Queen's Road East,

Hong Kong



[11] 2423937.2M001

[15] 03-09-2024

[30] 20-05-2024 / JP / 2024-010084

[51] Cl. 7-09

[54] 餐具支架

Plate stand

[73] 株式會社似鳥控股

Kabushiki Kaisha Nitori Holdings (Nitori Holdings Co., Ltd.)

日本

東京都北區神谷三丁目 6 番 20 號

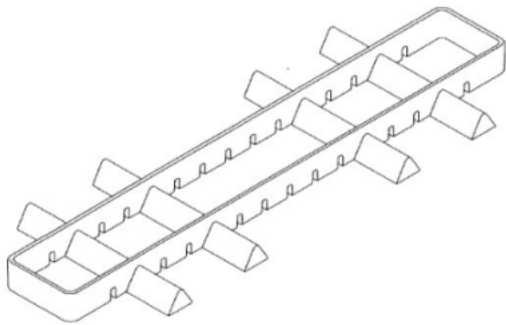
郵編 115-0043

[74] 永新專利商標代理有限公司

香港

九龍尖沙咀東部科學館道一號

康宏廣場南座 18 樓 1805-6 室



[11] 2423937.2M002

[15] 03-09-2024

[30] 20-05-2024 / JP / 2024-010085

[51] Cl. 7-07

[54] 收納盒

Storage case

[73] 株式會社似鳥控股

Kabushiki Kaisha Nitori Holdings (Nitori Holdings Co., Ltd.)

日本

東京都北區神谷三丁目 6 番 20 號

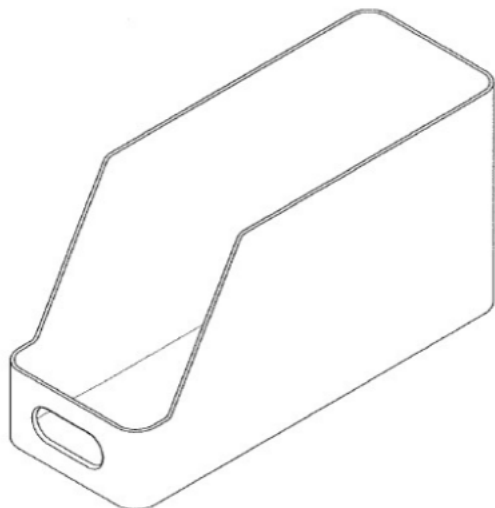
郵編 115-0043

[74] 永新專利商標代理有限公司

香港

九龍尖沙咀東部科學館道一號

康宏廣場南座 18 樓 1805-6 室



[11] 2423937.2M003

[15] 03-09-2024

[30] 20-05-2024 / JP / 2024-010086

[51] Cl. 7-07

[54] 收納盒

Storage case

[73] 株式會社似鳥控股

Kabushiki Kaisha Nitori Holdings (Nitori Holdings Co., Ltd.)

日本

東京都北區神谷三丁目 6 番 20 號

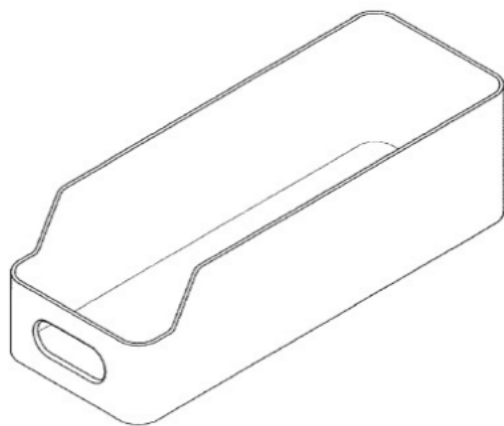
郵編 115-0043

[74] 永新專利商標代理有限公司

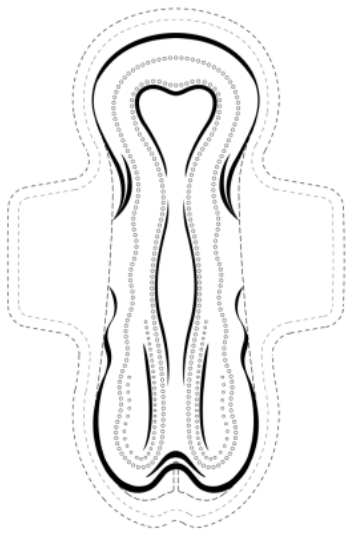
香港

九龍尖沙咀東部科學館道一號

康宏廣場南座 18 樓 1805-6 室

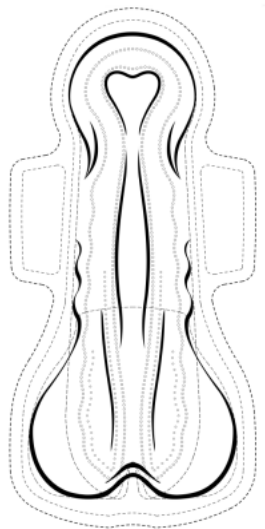


- [11] 2423941.0M001  
[15] 03-09-2024  
[30] 06-03-2024 / MY / 24-E0380-0102  
[51] Cl. 24-04  
[54] 衛生巾  
Sanitary napkin  
[73] Vinda Malaysia Sdn Bhd  
No 1, Persiaran Bukit Raja Kayangan/KU 5,  
Zon Perindustrian Bandar Bukit Raja,  
41050 Klang,  
MALAYSIA  
[74] WILKINSON & GRIST  
11th Floor, Great Eagle Centre,  
23 Harbour Road,  
Hong Kong



- 
- [11] 2423941.0M002  
[15] 03-09-2024  
[30] 06-03-2024 / MY / 24-E0381-0202  
[51] Cl. 24-04  
[54] 衛生巾  
Sanitary napkin  
[73] Vinda Malaysia Sdn Bhd  
No 1, Persiaran Bukit Raja Kayangan/KU 5,  
Zon Perindustrian Bandar Bukit Raja,  
41050 Klang,  
MALAYSIA  
[74] WILKINSON & GRIST  
11th Floor, Great Eagle Centre,

23 Harbour Road,  
Hong Kong



[11] 2423993.9

[15] 09-09-2024

[51] Cl. 9-03

[54] 包裝盒

Packaging box

[73] 哈尔滨市康隆药业有限责任公司

Harbin Kanglong Pharmaceutical Co., Ltd.

中國

中国黑龙江省哈尔滨市利民开发区

四平路 88 号, 邮编: 150025

[74] 標準香港企業註冊服務有限公司

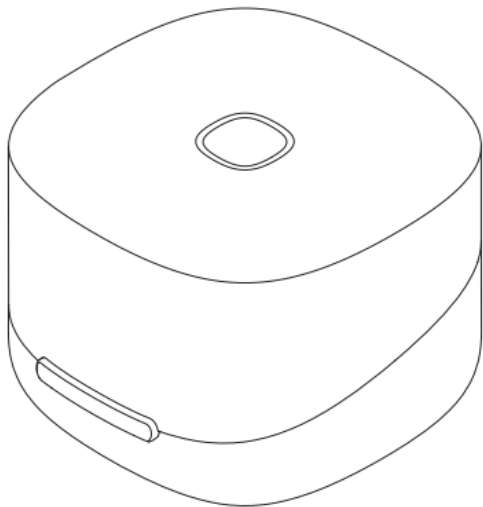
香港

九龍旺角彌敦道 678 號

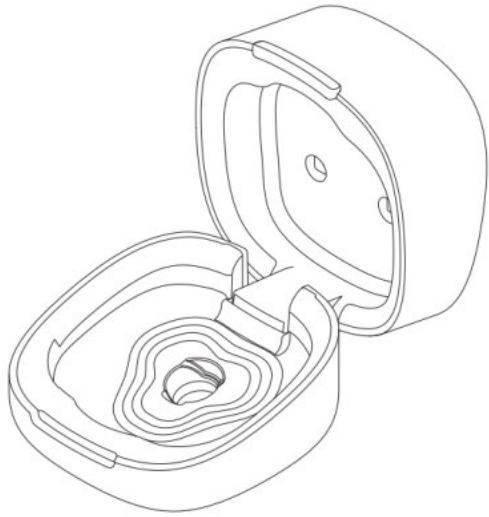
華僑商業中心 15C



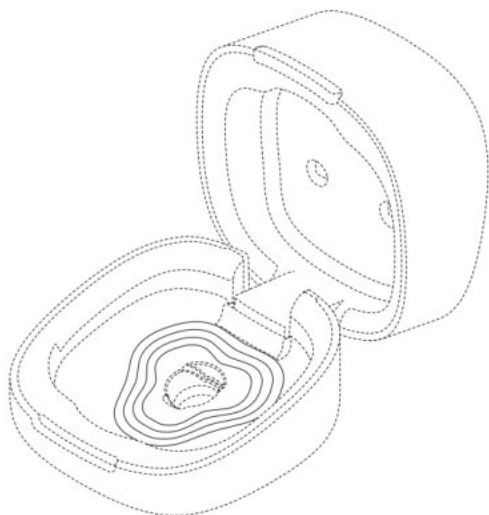
- [11] 2424036.2M001
- [15] 17-09-2024
- [30] 11-04-2024 / EU / 015057215-0001
- [51] Cl. 3-01
- [54] 紫外光清潔盒  
UV cleaning case
- [73] Koninklijke Philips N.V.  
High Tech Campus 52,  
5656 AG Eindhoven,  
NETHERLANDS
- [74] ROUSE & CO. INTERNATIONAL (OVERSEAS) LIMITED  
26/F., Tesbury Centre,  
28 Queen's Road East,  
Hong Kong



- [11] 2424036.2M002  
[15] 17-09-2024  
[30] 11-04-2024 / EU / 015057215-0002  
[51] Cl. 3-01  
[54] 紫外光清潔盒  
UV cleaning case  
[73] Koninklijke Philips N.V.  
High Tech Campus 52,  
5656 AG Eindhoven,  
NETHERLANDS  
[74] ROUSE & CO. INTERNATIONAL (OVERSEAS) LIMITED  
26/F., Tesbury Centre,  
28 Queen's Road East,  
Hong Kong



- 
- [11] 2424036.2M003  
[15] 17-09-2024  
[30] 11-04-2024 / EU / 015057215-0003  
[51] Cl. 3-01  
[54] 紫外光清潔盒  
UV cleaning case  
[73] Koninklijke Philips N.V.  
High Tech Campus 52,  
5656 AG Eindhoven,  
NETHERLANDS  
[74] ROUSE & CO. INTERNATIONAL (OVERSEAS) LIMITED  
26/F., Tesbury Centre,  
28 Queen's Road East,  
Hong Kong



---

[11] 2424036.2M004

[15] 17-09-2024

[30] 11-04-2024 / EU / 015057215-0004

[51] Cl. 3-01

[54] 紫外光清潔盒

UV cleaning case

[73] Koninklijke Philips N.V.

High Tech Campus 52,

5656 AG Eindhoven,

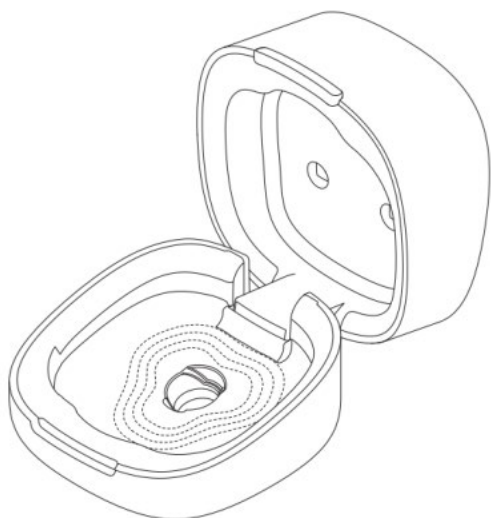
NETHERLANDS

[74] ROUSE & CO. INTERNATIONAL (OVERSEAS) LIMITED

26/F., Tesbury Centre,

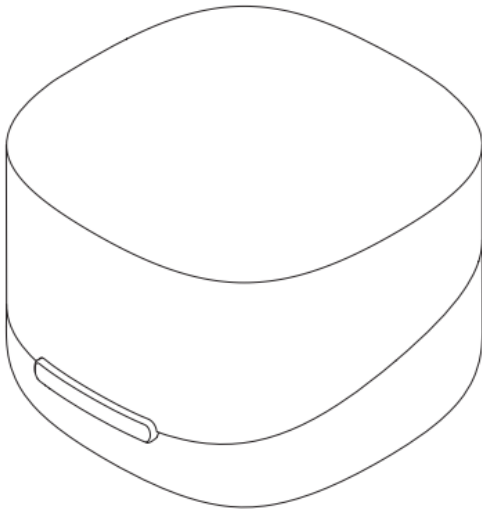
28 Queen's Road East,

Hong Kong





- [11] 2424036.2M005  
[15] 17-09-2024  
[30] 11-04-2024 / EU / 015057215-0005  
[51] Cl. 3-01  
[54] 紫外光清潔盒  
UV cleaning case  
[73] Koninklijke Philips N.V.  
High Tech Campus 52,  
5656 AG Eindhoven,  
NETHERLANDS  
[74] ROUSE & CO. INTERNATIONAL (OVERSEAS) LIMITED  
26/F., Tesbury Centre,  
28 Queen's Road East,  
Hong Kong



- 
- [11] 2424036.2M006  
[15] 17-09-2024  
[30] 11-04-2024 / EU / 015057215-0006  
[51] Cl. 3-01  
[54] 紫外光清潔盒  
UV cleaning case  
[73] Koninklijke Philips N.V.  
High Tech Campus 52,  
5656 AG Eindhoven,  
NETHERLANDS  
[74] ROUSE & CO. INTERNATIONAL (OVERSEAS) LIMITED  
26/F., Tesbury Centre,  
28 Queen's Road East,  
Hong Kong



[11] 2424036.2M007

[15] 17-09-2024

[30] 11-04-2024 / EU / 015057215-0007

[51] Cl. 3-01

[54] 紫外光清潔盒

UV cleaning case

[73] Koninklijke Philips N.V.

High Tech Campus 52,

5656 AG Eindhoven,

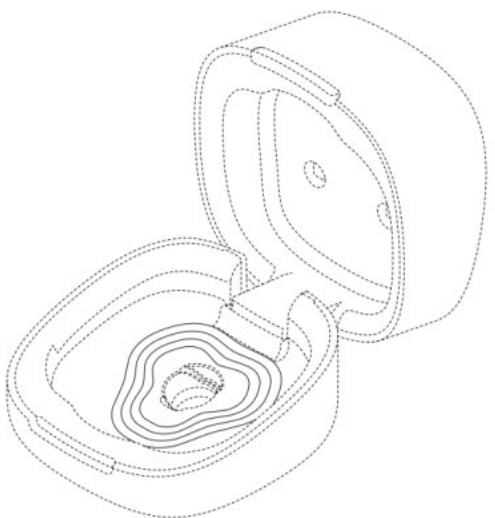
NETHERLANDS

[74] ROUSE & CO. INTERNATIONAL (OVERSEAS) LIMITED

26/F., Tesbury Centre,

28 Queen's Road East,

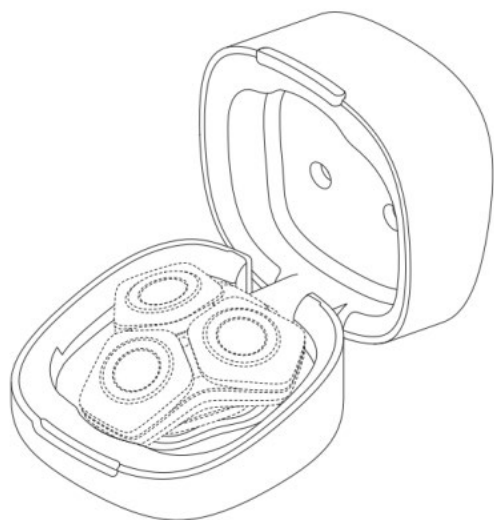
Hong Kong



- [11] 2424036.2M008  
[15] 17-09-2024  
[30] 11-04-2024 / EU / 015057215-0008  
[51] Cl. 3-01  
[54] 紫外光清潔盒  
UV cleaning case  
[73] Koninklijke Philips N.V.  
High Tech Campus 52,  
5656 AG Eindhoven,  
NETHERLANDS  
[74] ROUSE & CO. INTERNATIONAL (OVERSEAS) LIMITED  
26/F., Tesbury Centre,  
28 Queen's Road East,  
Hong Kong



- 
- [11] 2424036.2M009  
[15] 17-09-2024  
[30] 11-04-2024 / EU / 015057215-0009  
[51] Cl. 3-01  
[54] 紫外光清潔盒  
UV cleaning case  
[73] Koninklijke Philips N.V.  
High Tech Campus 52,  
5656 AG Eindhoven,  
NETHERLANDS  
[74] ROUSE & CO. INTERNATIONAL (OVERSEAS) LIMITED  
26/F., Tesbury Centre,  
28 Queen's Road East,  
Hong Kong



[11] 2424036.2M010

[15] 17-09-2024

[30] 11-04-2024 / EU / 015057215-0010

[51] Cl. 3-01

[54] 紫外光清潔盒

UV cleaning case

[73] Koninklijke Philips N.V.

High Tech Campus 52,

5656 AG Eindhoven,

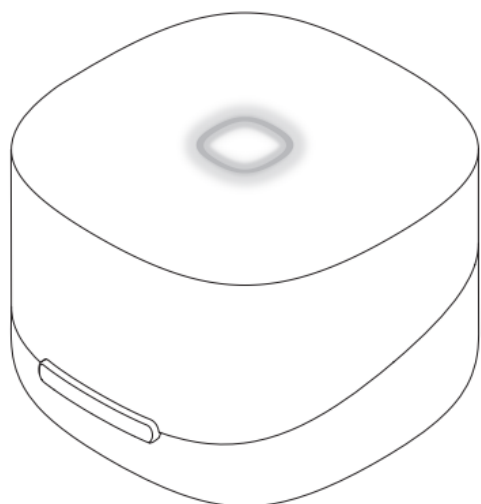
NETHERLANDS

[74] ROUSE & CO. INTERNATIONAL (OVERSEAS) LIMITED

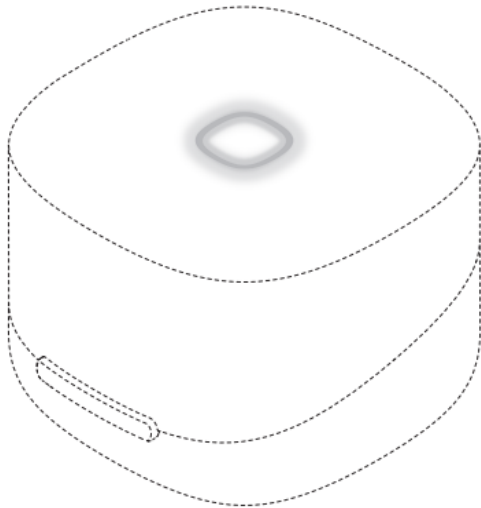
26/F., Tesbury Centre,

28 Queen's Road East,

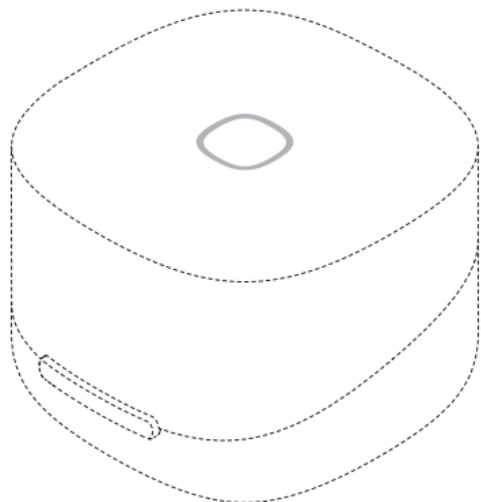
Hong Kong



- [11] 2424036.2M011
- [15] 17-09-2024
- [30] 11-04-2024 / EU / 015057215-0011
- [51] Cl. 3-01
- [54] 紫外光清潔盒  
UV cleaning case
- [73] Koninklijke Philips N.V.  
High Tech Campus 52,  
5656 AG Eindhoven,  
NETHERLANDS
- [74] ROUSE & CO. INTERNATIONAL (OVERSEAS) LIMITED  
26/F., Tesbury Centre,  
28 Queen's Road East,  
Hong Kong



- 
- [11] 2424036.2M012
  - [15] 17-09-2024
  - [30] 11-04-2024 / EU / 015057215-0012
  - [51] Cl. 3-01
  - [54] 紫外光清潔盒  
UV cleaning case
  - [73] Koninklijke Philips N.V.  
High Tech Campus 52,  
5656 AG Eindhoven,  
NETHERLANDS
  - [74] ROUSE & CO. INTERNATIONAL (OVERSEAS) LIMITED  
26/F., Tesbury Centre,  
28 Queen's Road East,  
Hong Kong



---

[11] 2424036.2M013

[15] 17-09-2024

[30] 11-04-2024 / EU / 015057215-0013

[51] Cl. 3-01

[54] 紫外光清潔盒

UV cleaning case

[73] Koninklijke Philips N.V.

High Tech Campus 52,

5656 AG Eindhoven,

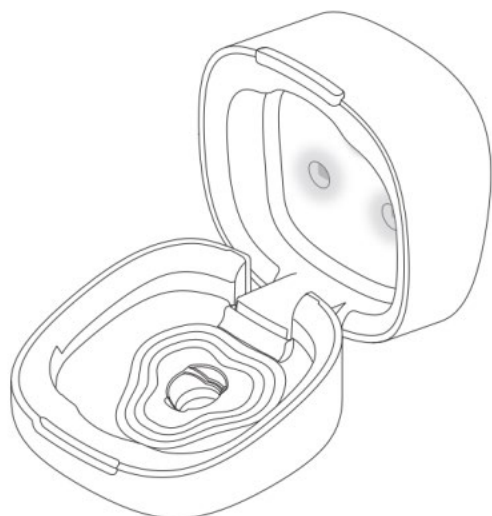
NETHERLANDS

[74] ROUSE & CO. INTERNATIONAL (OVERSEAS) LIMITED

26/F., Tesbury Centre,

28 Queen's Road East,

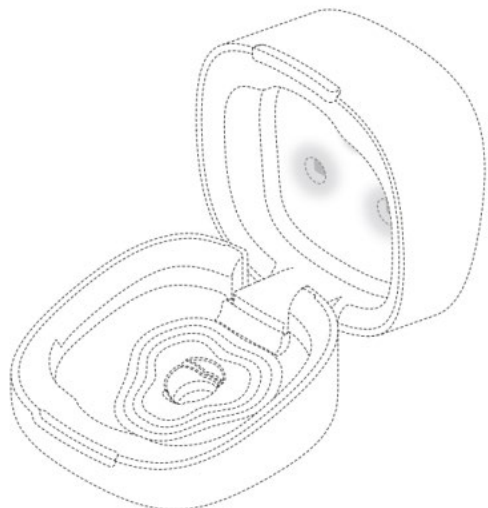
Hong Kong



- [11] 2424036.2M014  
[15] 17-09-2024  
[30] 11-04-2024 / EU / 015057215-0014  
[51] Cl. 3-01  
[54] 紫外光清潔盒  
UV cleaning case  
[73] Koninklijke Philips N.V.  
High Tech Campus 52,  
5656 AG Eindhoven,  
NETHERLANDS  
[74] ROUSE & CO. INTERNATIONAL (OVERSEAS) LIMITED  
26/F., Tesbury Centre,  
28 Queen's Road East,  
Hong Kong



- 
- [11] 2424036.2M015  
[15] 17-09-2024  
[30] 11-04-2024 / EU / 015057215-0015  
[51] Cl. 3-01  
[54] 紫外光清潔盒  
UV cleaning case  
[73] Koninklijke Philips N.V.  
High Tech Campus 52,  
5656 AG Eindhoven,  
NETHERLANDS  
[74] ROUSE & CO. INTERNATIONAL (OVERSEAS) LIMITED  
26/F., Tesbury Centre,  
28 Queen's Road East,  
Hong Kong



---

[11] 2424036.2M016

[15] 17-09-2024

[30] 11-04-2024 / EU / 015057215-0016

[51] Cl. 3-01

[54] 紫外光清潔盒

UV cleaning case

[73] Koninklijke Philips N.V.

High Tech Campus 52,

5656 AG Eindhoven,

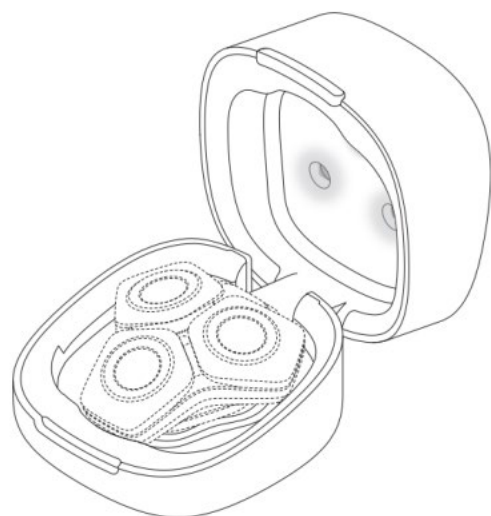
NETHERLANDS

[74] ROUSE & CO. INTERNATIONAL (OVERSEAS) LIMITED

26/F., Tesbury Centre,

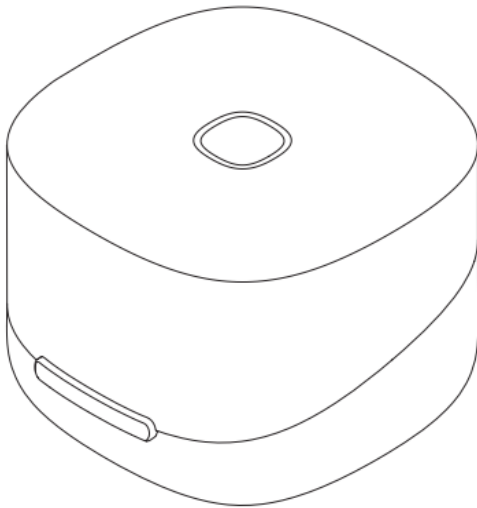
28 Queen's Road East,

Hong Kong

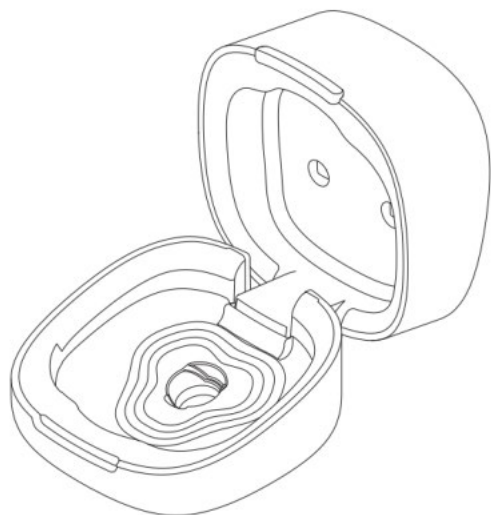




- [11] 2424036.2M017  
[15] 17-09-2024  
[30] 11-04-2024 / EU / 015057215-0017  
[51] Cl. 3-01  
[54] 紫外光清潔盒  
UV cleaning case  
[73] Koninklijke Philips N.V.  
High Tech Campus 52,  
5656 AG Eindhoven,  
NETHERLANDS  
[74] ROUSE & CO. INTERNATIONAL (OVERSEAS) LIMITED  
26/F., Tesbury Centre,  
28 Queen's Road East,  
Hong Kong



- 
- [11] 2424036.2M018  
[15] 17-09-2024  
[30] 11-04-2024 / EU / 015057215-0018  
[51] Cl. 3-01  
[54] 紫外光清潔盒  
UV cleaning case  
[73] Koninklijke Philips N.V.  
High Tech Campus 52,  
5656 AG Eindhoven,  
NETHERLANDS  
[74] ROUSE & CO. INTERNATIONAL (OVERSEAS) LIMITED  
26/F., Tesbury Centre,  
28 Queen's Road East,  
Hong Kong



---

[11] 2424048.7

[15] 19-09-2024

[30] 18-04-2024 / CN, SG, CH, GB, EU / WIPO146829

[51] Cl. 10-07

[54] 錶盤

Watch dial

[73] RICHEMONT INTERNATIONAL SA

Route des Biches 10,

1752 Villars-sur-Glâne,

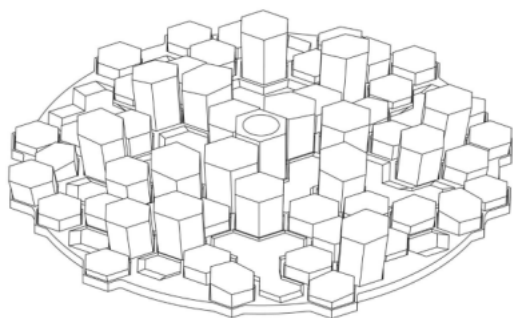
SWITZERLAND

[74] CHLOE LEE & CO.

1104, Tai Tung Building,

8 Fleming Road, Wanchai,

Hong Kong



---

[11] 2424069.1

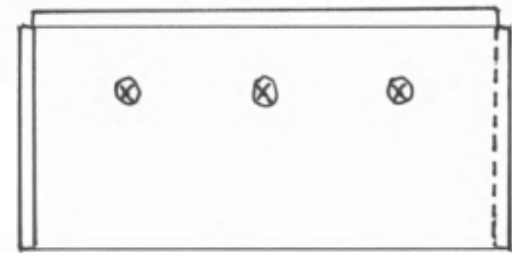
[15] 20-09-2024

[51] Cl. 25-01

[54] 預製擋土組件  
Precast unit for soil retaining

[73] 吳曉波  
NG HIU PO  
香港  
新界元朗西菁街 9 號  
富盛大廈 6 樓 F 座

[74] 吳曉波  
香港  
九龍城啟晴邨  
滿晴樓 2607 號房



---

[11] 2424070.3

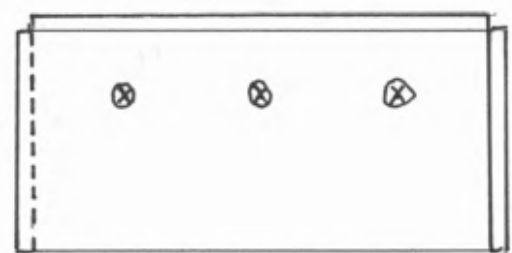
[15] 20-09-2024

[51] Cl. 25-01

[54] 預製擋土組件  
Precast unit for soil retaining

[73] 吳曉波  
NG HIU PO  
香港  
新界元朗西菁街 9 號  
富盛大廈 6 樓 F 座

[74] 吳曉波  
香港  
九龍城啟晴邨  
滿晴樓 2607 號房



[11] 2424097.0

[15] 24-09-2024

[51] Cl. 28-03

[54] 按摩棒

Massage stick

[73] 廣東伍福堂一六八文化科技有限公司

Guangdong Wufutang 168 Culture Technology Co., LTD

中國

廣州市南沙區南沙街

海洋街 2 號 2 座 301 房 A1 (僅限辦公)

[74] 天潤國際管理有限公司

香港

新界葵涌大連排道 162-170 號

金龍工業中心 2 座 4 樓 I-1 室



[11] 2424159.2

[15] 30-09-2024

[51] Cl. 9-03

[54] 包裝盒

Packaging box

[73] 英吉利製藥廠有限公司

YING KUT LEE MEDICINE FACTORY LTD.

BLOCK A, FLOOR 13,

WING LEE INDUSTRIAL BUILDING,

NO. 28 IVY STREET, TAI KOK TSUI,

HONG KONG

[74] PROREG INTELLECTUAL PROPERTY CONSULTING LIMITED

Unit 11 & 12, 22/F, Cosco Tower,

No. 183 Queen's Road Central,

Hong Kong



[11] 2424160.4

[15] 30-09-2024

[51] Cl. 9-03

[54] 包裝盒

Packaging box

[73] 英吉利製藥廠有限公司

YING KUT LEE MEDICINE FACTORY LTD.

BLOCK A, FLOOR 13,

WING LEE FACTORY BUILDING,

NO. 28 IVY STREET, TAI KOK TSUI, KOWLOON,

HONG KONG

[74] PROREG INTELLECTUAL PROPERTY CONSULTING LIMITED

Unit 11 & 12, 22/F, Cosco Tower,

No. 183 Queen's Road Central,

Hong Kong



[11] 2424165.5

[15] 02-10-2024

[51] Cl. 25-03

[54] 三角形結構用於樓面

Triangle structure for floor

[73] 吳曉波

Ng Hiu Po

香港

新界元朗西菁街 9 號

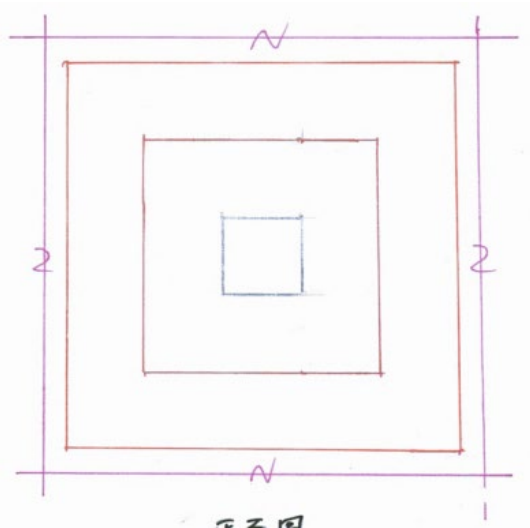
富盛大廈 6 樓 F 座

[74] 吳曉波

香港

九龍城啟晴村

滿晴樓 2607 號房



[11] 2424166.7

[15] 02-10-2024

[51] Cl. 25-03

[54] 三角形結構用於樓面

Triangle structure for floor

[73] 吳曉波

Ng Hiu Po

香港

新界元朗西菁街 9 號

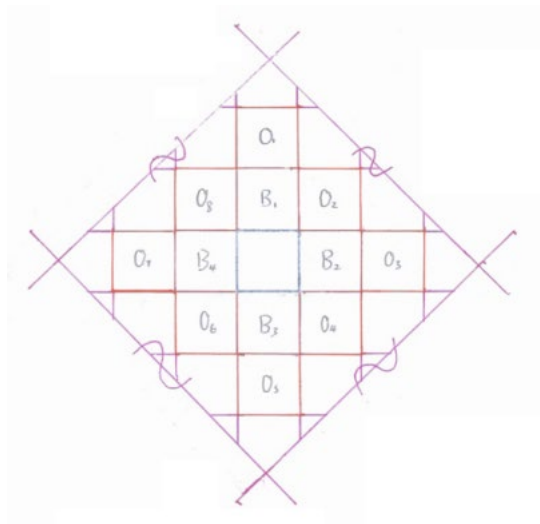
富盛大廈 6 樓 F 座

[74] 吳曉波

香港

九龍城啟晴村

滿晴樓 2607 號房



[11] 2424184.4M001

[15] 04-10-2024

[30] 15-04-2024 / GB / 6359625

[51] Cl. 14-01

[54] 聲音處理機

Audio processor

[73] Focusrite Audio Engineering Limited

Artisan, Hillbottom Road, High Wycombe,  
Buckinghamshire, England, HP12 4HJ,  
UNITED KINGDOM

[74] ROBIN BRIDGE & JOHN LIU

6th Floor, Emperor Commercial Centre,  
39 Des Voeux Road, Central,  
Hong Kong



[11] 2424184.4M002

[15] 04-10-2024

[30] 15-04-2024 / GB / 6359626

[51] Cl. 14-01

[54] 聲音處理機

Audio processor

[73] Focusrite Audio Engineering Limited  
Artisan, Hillbottom Road, High Wycombe,  
Buckinghamshire, England, HP12 4HJ,  
UNITED KINGDOM

[74] ROBIN BRIDGE & JOHN LIU  
6th Floor, Emperor Commercial Centre,  
39 Des Voeux Road, Central,  
Hong Kong



---

[11] 2424184.4M003

[15] 04-10-2024

[30] 15-04-2024 / GB / 6359627

[51] Cl. 14-01

[54] 聲音處理機

Audio processor

[73] Focusrite Audio Engineering Limited  
Artisan, Hillbottom Road, High Wycombe,  
Buckinghamshire, England, HP12 4HJ,  
UNITED KINGDOM

[74] ROBIN BRIDGE & JOHN LIU  
6th Floor, Emperor Commercial Centre,  
39 Des Voeux Road, Central,  
Hong Kong



---

[11] 2424184.4M004

[15] 04-10-2024



[30] 15-04-2024 / GB / 6359628

[51] Cl. 14-01

[54] 聲音處理機

Audio processor

[73] Focusrite Audio Engineering Limited  
Artisan, Hillbottom Road, High Wycombe,  
Buckinghamshire, England, HP12 4HJ,  
UNITED KINGDOM

[74] ROBIN BRIDGE & JOHN LIU  
6th Floor, Emperor Commercial Centre,  
39 Des Voeux Road, Central,  
Hong Kong



---

[11] 2424184.4M005

[15] 04-10-2024

[30] 15-04-2024 / GB / 6359629

[51] Cl. 14-01

[54] 聲音處理機

Audio processor

[73] Focusrite Audio Engineering Limited  
Artisan, Hillbottom Road, High Wycombe,  
Buckinghamshire, England, HP12 4HJ,  
UNITED KINGDOM

[74] ROBIN BRIDGE & JOHN LIU  
6th Floor, Emperor Commercial Centre,  
39 Des Voeux Road, Central,  
Hong Kong



[11] 2424184.4M006

[15] 04-10-2024

[30] 15-04-2024 / GB / 6359630

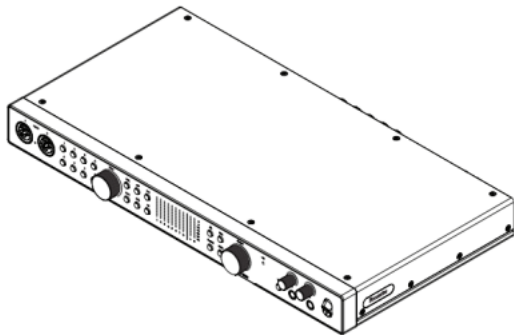
[51] Cl. 14-01

[54] 聲音處理機

Audio processor

[73] Focusrite Audio Engineering Limited  
Artisan, Hillbottom Road, High Wycombe,  
Buckinghamshire, England, HP12 4HJ,  
UNITED KINGDOM

[74] ROBIN BRIDGE & JOHN LIU  
6th Floor, Emperor Commercial Centre,  
39 Des Voeux Road, Central,  
Hong Kong



---

[11] 2424213.7

[15] 08-10-2024

[30] 09-04-2024 / EU / 015056629-0001

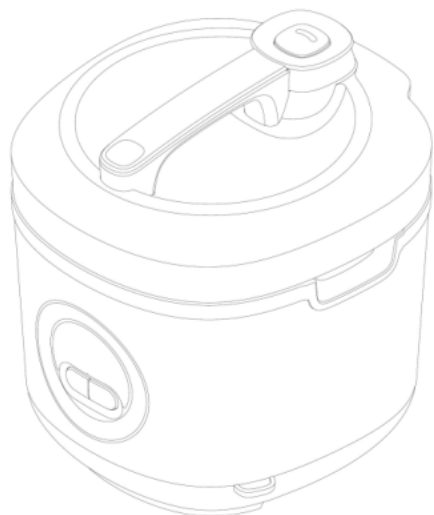
[51] Cl. 7-02

[54] 電飯煲

Rice cooker

[73] VERSUNI HOLDING B.V.  
CLAUDE DEBUSSYLAAN 88,  
1082MD AMSTERDAM,  
NETHERLANDS

[74] CHANG TSI AND PARTNERS INTELLECTUAL PROPERTY (HK) LIMITED  
Level 20, One International Finance Centre,  
No. 1 Harbour View Street, Central,  
Hong Kong



[11] 2424282.2M001

[15] 14-10-2024

[30] 06-05-2024 / KH, CA, AM, AZ, BZ, BA, GE, LI, MK, MD, MC, MN, ME, MA, NO, OM, SG, CH, TN, TR, UA, GB, EU, AL, IL, KR, KG / DM/238933

[51] Cl. 11-01

[54] 冠狀頭飾  
Tiara

[73] Harry Winston SA  
Chemin du Tourbillon 8,  
CH-1228 Plan-les-Ouates,  
SWITZERLAND

[74] SPRUSON & FERGUSON (HONG KONG) LIMITED  
5001, Hopewell Centre,  
183 Queen's Road East, Wan Chai,  
Hong Kong



[11] 2424282.2M002

[15] 14-10-2024

[30] 06-05-2024 / KH, CA, AM, AZ, BZ, BA, GE, LI, MK, MD, MC, MN, ME, MA, NO, OM, SG, CH, TN, TR, UA, GB, EU, AL, IL, KR, KG / DM/238933

[51] Cl. 11-01

[54] 項鍊

Necklace

[73] Harry Winston SA

Chemin du Tourbillon 8,  
CH-1228 Plan-les-Ouates,  
SWITZERLAND

[74] SPRUSON & FERGUSON (HONG KONG) LIMITED

5001, Hopewell Centre,  
183 Queen's Road East, Wan Chai,  
Hong Kong



---

[11] 2424282.2M003

[15] 14-10-2024

[30] 06-05-2024 / KH, CA, AM, AZ, BZ, BA, GE, LI, MK, MD, MC, MN, ME, MA, NO, OM, SG, CH, TN, TR, UA, GB, EU, AL, IL, KR, KG / DM/238933

[51] Cl. 11-01

[54] 耳環

Earrings

[73] Harry Winston SA

Chemin du Tourbillon 8,  
CH-1228 Plan-les-Ouates,  
SWITZERLAND

[74] SPRUSON & FERGUSON (HONG KONG) LIMITED

5001, Hopewell Centre,  
183 Queen's Road East, Wan Chai,  
Hong Kong



---

[11] 2424289.7

[15] 15-10-2024

[51] Cl. 21-01

[54] 玩具  
Toy

[73] DreamBear Workshop Limited  
Rooms 1914-15, Gala Place,  
56 Dundas Street, Kowloon,  
HONG KONG

[74] ZHONG LUN LAW FIRM LLP  
4/F., Jardine House,  
1 Connaught Place, Central,  
Hong Kong



---

[11] 2424291.1

[15] 16-10-2024

[30] 14-09-2024 / CN / 202430588574X

[51] Cl. 6-01

[54] 護腰坐姿椅

Ergonomic chair

[73] 廣州六圈品牌管理服務有限公司

Guangzhou Liuquan Brand Management Service Co., Ltd

中國

廣州市白雲區雲城南三路 399 號 601 房

[74] 智群科技設計(香港)有限公司

香港

九龍九龍灣宏光道 8 號

創豪坊 7 樓 706 室



---

[11] 2424292.3M001

[15] 16-10-2024

[30] 06-08-2024 / CN / 2024304963737

[51] Cl. 6-01

[54] 坐姿椅

Ergonomic chair

[73] 廣州六圈品牌管理服務有限公司

Guangzhou Liuquan Brand Management Service Co., Ltd

中國

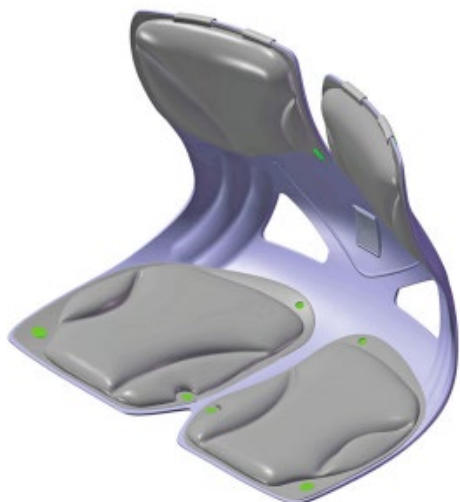
廣州市白雲區雲城南三路 399 號 601 房

[74] 智群科技設計(香港)有限公司

香港

九龍九龍灣宏光道 8 號

創豪坊 7 樓 706 室



---

[11] 2424292.3M002

[15] 16-10-2024

[30] 06-08-2024 / CN / 2024304963722

[51] Cl. 6-01

[54] 坐姿椅

Ergonomic chair

[73] 廣州六圈品牌管理服務有限公司

Guangzhou Liuquan Brand Management Service Co., Ltd

中國

廣州市白雲區雲城南三路 399 號 601 房

[74] 智群科技設計(香港)有限公司

香港

九龍九龍灣宏光道 8 號

創豪坊 7 樓 706 室



[11] 2424296.2M001

[15] 16-10-2024

[51] Cl. 7-07

[54] 外賣食物盒及蓋

Take away food box and lid

[73] 卓榮包裝有限公司

HIGH WIN PACKAGING LIMITED

香港

九龍九龍灣偉業街 38 號

富臨中心 A 座 18 樓 B 室

[74] 卓遠知識產權有限公司

香港上環

皇后大道中 181 號

新紀元廣場低座 24 樓 2406B 室



---

[11] 2424296.2M002

[15] 16-10-2024

[51] Cl. 7-07

[54] 外賣食物盒及蓋

Take away food box and lid

[73] 卓榮包裝有限公司

HIGH WIN PACKAGING LIMITED

香港

九龍九龍灣偉業街 38 號

富臨中心 A 座 18 樓 B 室

[74] 卓遠知識產權有限公司

香港上環

皇后大道中 181 號

新紀元廣場低座 24 樓 2406B 室





---

[11] 2424299.8M001

[15] 16-10-2024

[30] 12-09-2024 / CH / 2024-00456

[51] Cl. 10-02

[54] 手錶

Watch

[73] PATEK PHILIPPE SA GENEVE

41, Rue du Rhône,

1204 Genève,

SWITZERLAND

[74] SFKS CK KWONG, SOLICITORS

17th Floor, Chu Kong Shipping Tower,

No. 143 Connaught Road, Central,

Hong Kong



[11] 2424299.8M002

[15] 16-10-2024

[30] 12-09-2024 / CH / 2024-00456

[51] Cl. 10-02

[54] 手錶

Watch

[73] PATEK PHILIPPE SA GENEVE

41, Rue du Rhône,

1204 Genève,

SWITZERLAND

[74] SFKS CK KWONG, SOLICITORS

17th Floor, Chu Kong Shipping Tower,

No. 143 Connaught Road, Central,

Hong Kong



[11] 2424299.8M003

[15] 16-10-2024

[30] 12-09-2024 / CH / 2024-00456

[51] Cl. 10-07

[54] 錶殼

Watch case

[73] PATEK PHILIPPE SA GENEVE

41, Rue du Rhône,

1204 Genève,

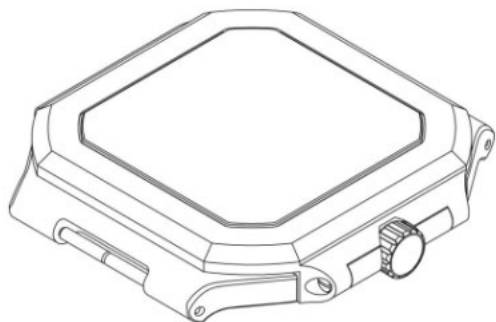
SWITZERLAND

[74] SFKS CK KWONG, SOLICITORS

17th Floor, Chu Kong Shipping Tower,

No. 143 Connaught Road, Central,

Hong Kong



---

[11] 2424299.8M004

[15] 16-10-2024

[30] 12-09-2024 / CH / 2024-00456

[51] Cl. 10-07

[54] 錶面

Watch dial

[73] PATEK PHILIPPE SA GENEVE

41, Rue du Rhône,

1204 Genève,

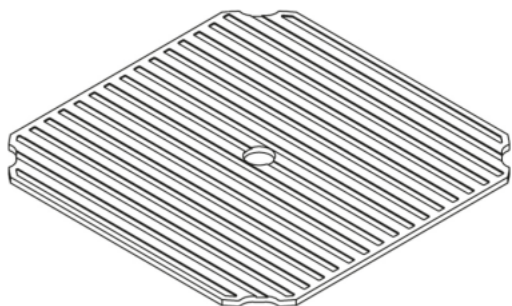
SWITZERLAND

[74] SFKS CK KWONG, SOLICITORS

17th Floor, Chu Kong Shipping Tower,

No. 143 Connaught Road, Central,

Hong Kong



---

[11] 2424299.8M005

[15] 16-10-2024

[30] 12-09-2024 / CH / 2024-00456

[51] Cl. 10-07

[54] 錶殼

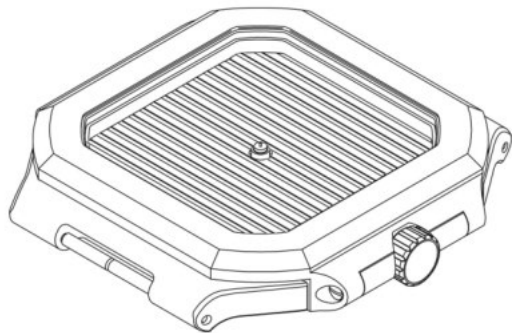
Watch case

[73] PATEK PHILIPPE SA GENEVE

41, Rue du Rhône,

1204 Genève,  
SWITZERLAND

[74] SFKS CK KWONG, SOLICITORS  
17th Floor, Chu Kong Shipping Tower,  
No. 143 Connaught Road, Central,  
Hong Kong



---

[11] 2424299.8M006

[15] 16-10-2024

[30] 12-09-2024 / CH / 2024-00456

[51] Cl. 10-07

[54] 錶殼

Watch case

[73] PATEK PHILIPPE SA GENEVE

41, Rue du Rhône,

1204 Genève,

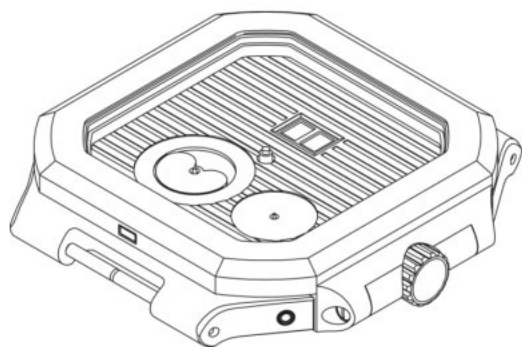
SWITZERLAND

[74] SFKS CK KWONG, SOLICITORS

17th Floor, Chu Kong Shipping Tower,

No. 143 Connaught Road, Central,

Hong Kong



---

[11] 2424299.8M007

[15] 16-10-2024

[30] 12-09-2024 / CH / 2024-00456

[51] Cl. 10-07

[54] 錶面

Watch dial

[73] PATEK PHILIPPE SA GENEVE

41, Rue du Rhône,

1204 Genève,

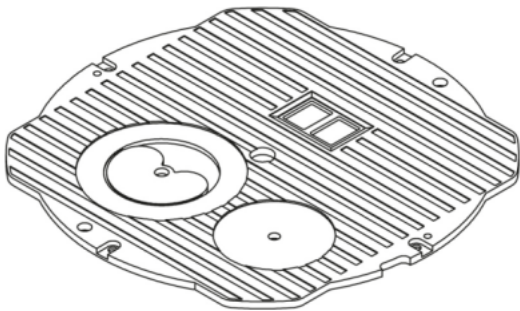
SWITZERLAND

[74] SFKS CK KWONG, SOLICITORS

17th Floor, Chu Kong Shipping Tower,

No. 143 Connaught Road, Central,

Hong Kong



---

[11] 2424299.8M008

[15] 16-10-2024

[30] 12-09-2024 / CH / 2024-00456

[51] Cl. 10-02

[54] 手錶

Watch

[73] PATEK PHILIPPE SA GENEVE

41, Rue du Rhône,

1204 Genève,

SWITZERLAND

[74] SFKS CK KWONG, SOLICITORS

17th Floor, Chu Kong Shipping Tower,

No. 143 Connaught Road, Central,

Hong Kong



[11] 2424299.8M009

[15] 16-10-2024

[30] 12-09-2024 / CH / 2024-00456

[51] Cl. 10-07

[54] 鐘錶機芯

Movement for clocks and watches

[73] PATEK PHILIPPE SA GENEVE

41, Rue du Rhône,

1204 Genève,

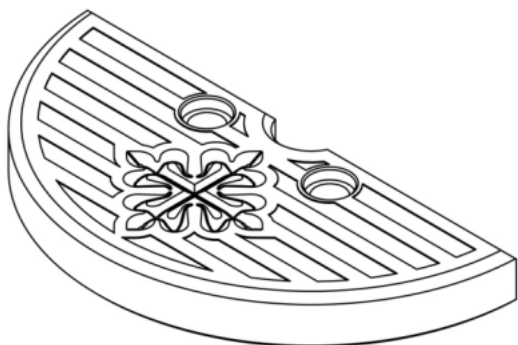
SWITZERLAND

[74] SFKS CK KWONG, SOLICITORS

17th Floor, Chu Kong Shipping Tower,

No. 143 Connaught Road, Central,

Hong Kong



[11] 2424299.8M010

[15] 16-10-2024

[30] 12-09-2024 / CH / 2024-00456

[51] Cl. 10-07

[54] 鐘錶機芯

Movement for clocks and watches

[73] PATEK PHILIPPE SA GENEVE

41, Rue du Rhône,

1204 Genève,

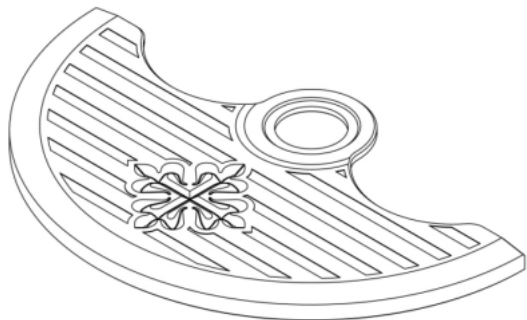
SWITZERLAND

[74] SFKS CK KWONG, SOLICITORS

17th Floor, Chu Kong Shipping Tower,

No. 143 Connaught Road, Central,

Hong Kong



---

[11] 2424299.8M011

[15] 16-10-2024

[30] 12-09-2024 / CH / 2024-00456

[51] Cl. 10-02

[54] 手錶

Watch

[73] PATEK PHILIPPE SA GENEVE

41, Rue du Rhône,

1204 Genève,

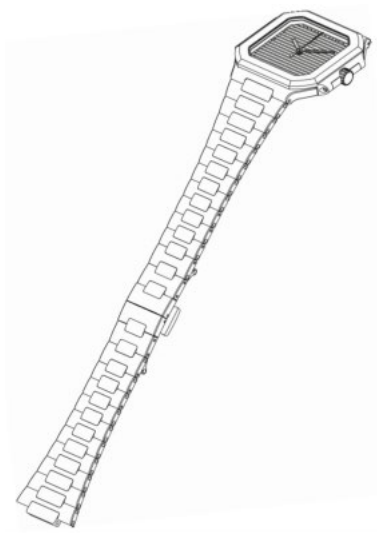
SWITZERLAND

[74] SFKS CK KWONG, SOLICITORS

17th Floor, Chu Kong Shipping Tower,

No. 143 Connaught Road, Central,

Hong Kong



---

[11] 2424299.8M012

[15] 16-10-2024

[30] 12-09-2024 / CH / 2024-00456

[51] Cl. 10-02

[54] 手錶

Watch

[73] PATEK PHILIPPE SA GENEVE

41, Rue du Rhône,

1204 Genève,

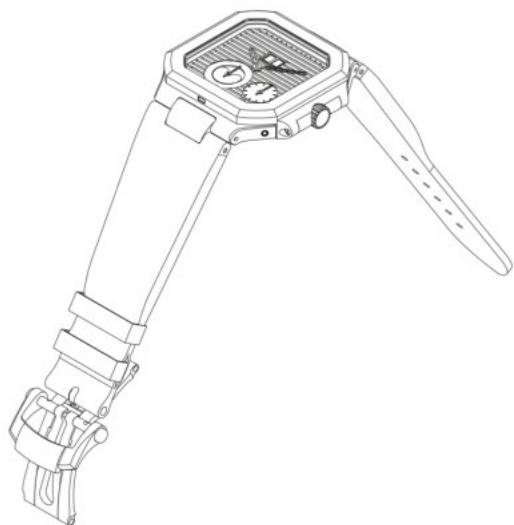
SWITZERLAND

[74] SFKS CK KWONG, SOLICITORS

17th Floor, Chu Kong Shipping Tower,

No. 143 Connaught Road, Central,

Hong Kong





[11] 2424299.8M013

[15] 16-10-2024

[30] 08-10-2024 / CH / 2024-00482

[51] Cl. 10-02

[54] 手錶

Watch

[73] PATEK PHILIPPE SA GENEVE

41, Rue du Rhône,

1204 Genève,

SWITZERLAND

[74] SFKS CK KWONG, SOLICITORS

17th Floor, Chu Kong Shipping Tower,

No. 143 Connaught Road, Central,

Hong Kong



---

[11] 2424299.8M014

[15] 16-10-2024

[30] 08-10-2024 / CH / 2024-00482

[51] Cl. 10-02

[54] 手錶

Watch

[73] PATEK PHILIPPE SA GENEVE

41, Rue du Rhône,

1204 Genève,

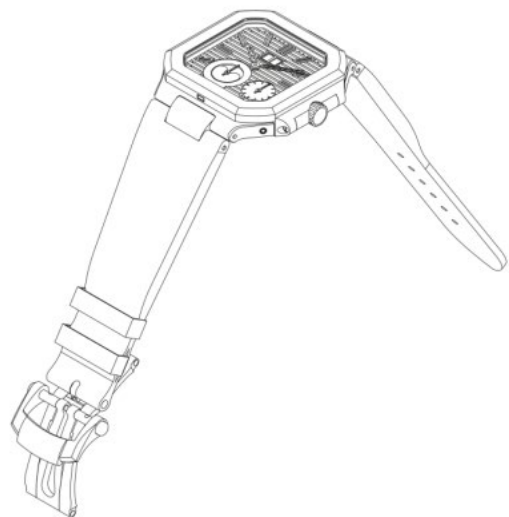
SWITZERLAND

[74] SFKS CK KWONG, SOLICITORS

17th Floor, Chu Kong Shipping Tower,

No. 143 Connaught Road, Central,

Hong Kong



[11] 2424305.3M001

[15] 18-10-2024

[30] 19-04-2024 / US / 29/938,414

[51] Cl. 14-01

[54] 耳機

Earphone

[73] 苹果公司

APPLE INC.

One Apple Park Way, Cupertino,

California, 95014, U.S.A.,

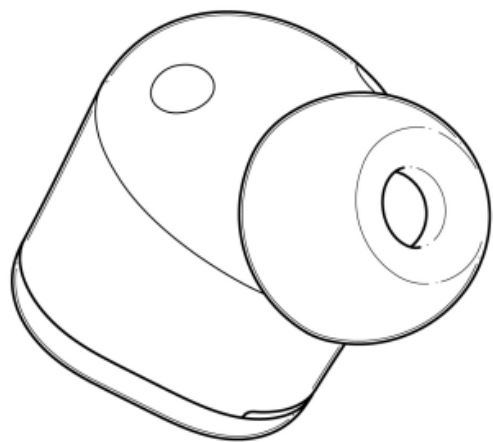
UNITED STATES OF AMERICA

[74] CLT PATENT & TRADEMARK (H.K.) LIMITED

Unit 09, 34/F., Office Tower, Convention Plaza,

1 Harbour Road, Wanchai,

Hong Kong



[11] 2424305.3M002

[15] 18-10-2024

[30] 19-04-2024 / US / 29/938,414

[51] Cl. 14-01

[54] 耳機

Earphone

[73] 苹果公司

APPLE INC.

One Apple Park Way, Cupertino,

California, 95014, U.S.A.,

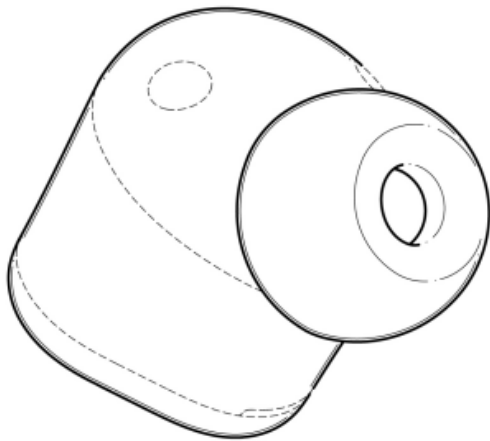
UNITED STATES OF AMERICA

[74] CLT PATENT & TRADEMARK (H.K.) LIMITED

Unit 09, 34/F., Office Tower, Convention Plaza,

1 Harbour Road, Wanchai,

Hong Kong



---

[11] 2424305.3M003

[15] 18-10-2024

[30] 19-04-2024 / US / 29/938,414

[51] Cl. 14-01

[54] 耳機

Earphone

[73] 苹果公司

APPLE INC.

One Apple Park Way, Cupertino,

California, 95014, U.S.A.,

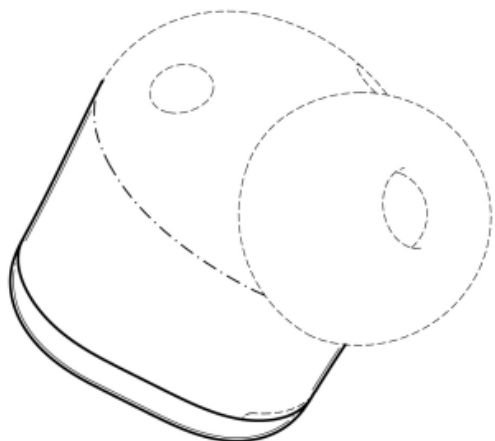
UNITED STATES OF AMERICA

[74] CLT PATENT & TRADEMARK (H.K.) LIMITED

Unit 09, 34/F., Office Tower, Convention Plaza,

1 Harbour Road, Wanchai,

Hong Kong



---

[11] 2424307.7M001

[15] 18-10-2024

[30] 19-04-2024 / US / 29/938,415

[51] Cl. 3-01

[54] 帶耳機的盒

Case with earphones

[73] 蘋果公司

APPLE INC.

One Apple Park Way, Cupertino,

California, 95014, U.S.A.,

UNITED STATES OF AMERICA

[74] CLT PATENT & TRADEMARK (H.K.) LIMITED

Unit 09, 34/F., Office Tower, Convention Plaza,

1 Harbour Road, Wanchai,

Hong Kong



---

[11] 2424307.7M002

[15] 18-10-2024

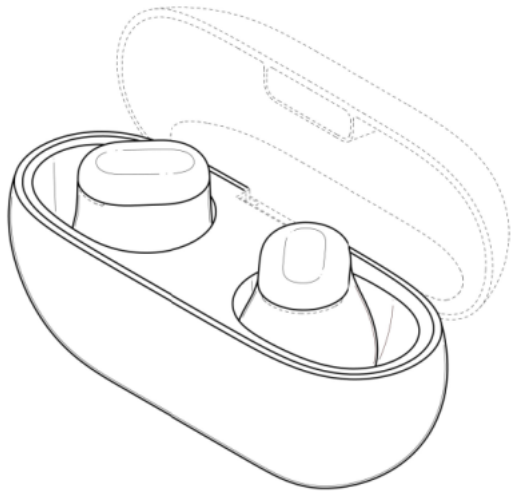
[30] 19-04-2024 / US / 29/938,415

[51] Cl. 3-01

[54] 帶耳機的盒  
Case with earphones

[73] 蘋果公司  
APPLE INC.  
One Apple Park Way, Cupertino,  
California, 95014, U.S.A.,  
UNITED STATES OF AMERICA

[74] CLT PATENT & TRADEMARK (H.K.) LIMITED  
Unit 09, 34/F., Office Tower, Convention Plaza,  
1 Harbour Road, Wanchai,  
Hong Kong



[11] 2424309.1

[15] 18-10-2024

[51] Cl. 11-01

[54] 吊墜  
Pendant

[73] 老鋪黃金(香港)有限公司  
LAO PU (HONG KONG) COMPANY LIMITED  
Room 801-2, 8/F, Easey Commercial Building,  
253-261 Hennessy Road, Wanchai,  
HONG KONG

[74] CHARLES RUSSELL SPEECHLYS LLP  
SUITE 3418, LEVEL 34, TWO PACIFIC PLACE,  
88 QUEENSWAY,  
HONG KONG



---

[11] 2424310.3

[15] 18-10-2024

[51] Cl. 11-01

[54] 吊墜

Pendant

[73] 老鋪黃金(香港)有限公司

LAO PU (HONG KONG) COMPANY LIMITED

Room 801-2, 8/F, Easey Commercial Building,

253-261 Hennessy Road, Wanchai,

HONG KONG

[74] CHARLES RUSSELL SPEECHLYS LLP

SUITE 3418, LEVEL 34, TWO PACIFIC PLACE,

88 QUEENSWAY,

HONG KONG



[11] 2424311.5

[15] 18-10-2024

[51] Cl. 11-02

[54] 裝飾杯

Decorative beaker

[73] 老鋪黃金(香港)有限公司

LAO PU (HONG KONG) COMPANY LIMITED

Room 801-2, 8/F, Easey Commercial Building,

253-261 Hennessy Road, Wanchai,

HONG KONG

[74] CHARLES RUSSELL SPEECHLYS LLP

SUITE 3418, LEVEL 34, TWO PACIFIC PLACE,

88 QUEENSWAY,

HONG KONG



---

[11] 2424312.7

[15] 18-10-2024

[51] Cl. 11-02

[54] 裝飾碗

Decorative bowl

[73] 老鋪黃金(香港)有限公司

LAO PU (HONG KONG) COMPANY LIMITED

Room 801-2, 8/F, Easey Commercial Building,

253-261 Hennessy Road, Wanchai,

HONG KONG

[74] CHARLES RUSSELL SPEECHLYS LLP

SUITE 3418, LEVEL 34, TWO PACIFIC PLACE,

88 QUEENSWAY,

HONG KONG



---

[11] 2424313.9

[15] 18-10-2024

[51] Cl. 11-01

[54] 吊墜

Pendant

[73] 老鋪黃金(香港)有限公司

LAO PU (HONG KONG) COMPANY LIMITED

Room 801-2, 8/F, Easey Commercial Building,

253-261 Hennessy Road, Wanchai,

HONG KONG

[74] CHARLES RUSSELL SPEECHLYS LLP

SUITE 3418, LEVEL 34, TWO PACIFIC PLACE,

88 QUEENSWAY,

HONG KONG



---

[11] 2424314.1

[15] 18-10-2024

[51] Cl. 11-01



[54] 吊墜

Pendant

[73] 老鋪黃金(香港)有限公司

LAO PU (HONG KONG) COMPANY LIMITED

Room 801-2, 8/F, Easey Commercial Building,

253-261 Hennessy Road, Wanchai,

HONG KONG

[74] CHARLES RUSSELL SPEECHLYS LLP

SUITE 3418, LEVEL 34, TWO PACIFIC PLACE,

88 QUEENSWAY,

HONG KONG



---

[11] 2424315.4

[15] 18-10-2024

[51] Cl. 11-01

[54] 吊墜

Pendant

[73] 老鋪黃金(香港)有限公司

LAO PU (HONG KONG) COMPANY LIMITED

Room 801-2, 8/F, Easey Commercial Building,

253-261 Hennessy Road, Wanchai,

HONG KONG

[74] CHARLES RUSSELL SPEECHLYS LLP

SUITE 3418, LEVEL 34, TWO PACIFIC PLACE,

88 QUEENSWAY,

HONG KONG



---

[11] 2424316.6

[15] 18-10-2024

[51] Cl. 11-02

[54] 印章裝飾物

Stamp ornament

[73] 老鋪黃金(香港)有限公司

LAO PU (HONG KONG) COMPANY LIMITED

Room 801-2, 8/F, Easey Commercial Building,

253-261 Hennessy Road, Wanchai,

HONG KONG

[74] CHARLES RUSSELL SPEECHLYS LLP

SUITE 3418, LEVEL 34, TWO PACIFIC PLACE,

88 QUEENSWAY,

HONG KONG



---

[11] 2424317.8

[15] 18-10-2024

[51] Cl. 11-01

[54] 吊墜

Pendant

[73] 老鋪黃金(香港)有限公司

LAO PU (HONG KONG) COMPANY LIMITED

Room 801-2, 8/F, Easey Commercial Building,

253-261 Hennessy Road, Wanchai,

HONG KONG

[74] CHARLES RUSSELL SPEECHLYS LLP

SUITE 3418, LEVEL 34, TWO PACIFIC PLACE,

88 QUEENSWAY,

HONG KONG



---

[11] 2424318.0

[15] 18-10-2024

[51] Cl. 11-01

[54] 吊墜

Pendant

[73] 老鋪黃金(香港)有限公司

LAO PU (HONG KONG) COMPANY LIMITED

Room 801-2, 8/F, Easey Commercial Building,

253-261 Hennessy Road, Wanchai,

HONG KONG

[74] CHARLES RUSSELL SPEECHLYS LLP

SUITE 3418, LEVEL 34, TWO PACIFIC PLACE,

88 QUEENSWAY,

HONG KONG



---

[11] 2424319.2

[15] 18-10-2024

[51] Cl. 11-01

[54] 戒指  
Ring

[73] 老鋪黃金(香港)有限公司  
LAO PU (HONG KONG) COMPANY LIMITED  
Room 801-2, 8/F, Easey Commercial Building,  
253-261 Hennessy Road, Wanchai,  
HONG KONG

[74] CHARLES RUSSELL SPEECHLYS LLP  
SUITE 3418, LEVEL 34, TWO PACIFIC PLACE,  
88 QUEENSWAY,  
HONG KONG





香港特別行政區政府知識產權署外觀設計註冊處

The Government of the Hong Kong Special Administrative Region

Designs Registry, Intellectual Property Department

根據註冊外觀設計條例第 28 條，下列註冊外觀設計因未繳續期費而停止有效。

各組記項按註冊外觀設計停止有效日期及註冊編號先後次序排列。

**Registered designs ceased through non-payment of renewal fees under section 28 of the Registered Designs Ordinance. Entries are listed below under their expiry dates.**

**07-11-2024 - 13-11-2024****07-11-2024**

0412544.1M001

1402098.4M002

1402098.4M003

1402098.4M004

**08-11-2024**

0901863.9

0901865.4

0901870.4M001

1402098.4M005

**12-11-2024**

0901908.6

1915006.1

**09-11-2024**

0412550.4

0412551.6

0412552.8

1402082.0

**13-11-2024**

1915012.3

1915013.5

**10-11-2024**

0901881.7M001

0901881.7M002

1402085.7

1402086.9

1402087.1

1402088.3M003

1402089.5

1914997.0

**11-11-2024**

0412571.8

0901894.4

0901897.1

1402094.5M002

1402097.2M001

1402097.2M002

1402097.2M003

1402097.2M004

1402098.4M001



香港特別行政區政府知識產權署外觀設計註冊處

The Government of the Hong Kong Special Administrative Region

Designs Registry, Intellectual Property Department

根據註冊外觀設計規則第 31 條刪除的註冊外觀設計。各組記項按註冊外觀設計刪除日期及註冊編號先後次序排列。

**Registered designs removed under section 31 of the Registered Designs Rules. Entries are listed below under their removal dates.**

**15-11-2024 - 21-11-2024**

<b>15-11-2024</b>	1913619.9M002	1913627.6M003
0410997.9M003	1913621.3M001	
0411001.9	1913621.3M002	
0900739.6		
1400852.2	<b>18-11-2024</b>	
1400863.5	0900750.9	
1913594.4	0900757.4	
1913600.9		
1913601.1	<b>19-11-2024</b>	
1913603.5	0900770.1M003	
1913604.7	1400875.1M001	
1913605.0	1400875.1M002	
	1400875.1M003	
<b>16-11-2024</b>	1400875.1M004	
1400865.0	1400875.1M005	
1400873.6	1400875.1M006	
1913606.2M001	1400875.1M007	
1913606.2M002		
1913606.2M003	<b>20-11-2024</b>	
1913606.2M004	1400881.3	
1913606.2M005	1400885.2M001	
1913607.4	1400885.2M002	
1913609.8	1400885.2M003	
	1400885.2M004	
<b>17-11-2024</b>	1913624.9M001	
1913612.4	1913624.9M002	
1913615.1		
1913617.5M001	<b>21-11-2024</b>	
1913617.5M002	0411081.7	
1913617.5M003	0900791.5	
1913618.7M001	0900794.1	
1913618.7M002	1400886.4	
1913618.7M003	1913627.6M001	
1913619.9M001	1913627.6M002	



香港特別行政區政府知識產權署外觀設計註冊處

The Government of the Hong Kong Special Administrative Region

Designs Registry, Intellectual Property Department

## 根據註冊外觀設計條例第 76 條，更正已提交文件中的錯誤

### **Correction of errors in filed documents under section 76 of the Registered Designs Ordinance**

任何人士現可對下列更正錯誤的請求提出反對

Request for correction of errors now open to opposition

如任何人士意欲反對下列請求，則須在本官方公報刊登是項更正請求的日期起計的兩個月內，根據註冊外觀設計規則第 62(4) 條，採用指明外觀設計表格第 D9 號提交反對通知。如在限期內沒有收到任何反對通知，處長將依本公報刊登的更正請求的內容，准許是項更正請求。

If any person wishes to oppose the following request, he shall file a notice of opposition in specified Designs Form D9 within two months from the date of advertisement in this official journal under section 62(4) of the Registered Designs Rules. If no notice of opposition is received, the request for correction will be allowed by the Registrar in the present advertised form.

請求更正表述的錯誤

Request made for correction of errors in representations

[21] 2423943.4M011

[55] 外觀設計的表述

Representations of the Design