

# 香港知識產權公報

Hong Kong Intellectual Property Journal

2025年2月7日

07 February 2025

## 目錄 Contents

### 根據註冊外觀設計條例第 25 條註冊的外觀設計

#### **Designs Registered under section 25 of the Registered Designs Ordinance**

按註冊編號排列

Arranged by Registration Number

### 根據註冊外觀設計條例(第 522 章)公布的其他公告

#### **Other Notices Published under the Registered Designs Ordinance (Cap. 522)**

根據註冊外觀設計條例第 28 條，註冊外觀設計因未繳續期費而停止有效

Registered designs ceased through non-payment of renewal fees under section 28 of the Registered Designs Ordinance

根據註冊外觀設計規則第 31 條刪除的註冊外觀設計

Registered designs removed under section 31 of the Registered Designs Rules

根據註冊外觀設計條例第 76 條，更正已提交文件中的錯誤

Correction of errors in filed documents under section 76 of the Registered Designs Ordinance

### 以下事項沒有記錄

#### **No Records for the Following Matters**

根據註冊外觀設計條例第 30 條放棄的外觀設計的註冊

Surrender of Registration of Design under section 30 of the Registered Designs Ordinance

根據註冊外觀設計規則第 37 條，向處長作出轉介

Reference to Registrar under section 37 of the Registered Designs Rules

根據註冊外觀設計條例第 45 條，撤銷註冊

Revocation of Registration under section 45 of the Registered Designs Ordinance

根據註冊外觀設計規則第 46 條，向法院作出轉介

Reference to Court under section 46 of the Registered Designs Rules

根據註冊外觀設計規則第 63 條對不符合規定之處作出糾正

Rectification of Irregularities under section 63 of the Registered Designs Rules

根據註冊外觀設計條例第 66 條，糾正註冊紀錄冊

Rectification of Register under section 66 of the Registered Designs Ordinance

根據註冊外觀設計條例第 67 條 更正註冊紀錄冊內的錯誤

Correction of errors in Register under section 67 of the Registered Designs Ordinance

根據註冊外觀設計條例第 67 及 76 條，更正註冊紀錄冊內及已提交文件中的錯誤

Correction of Errors in Register and in Filed Documents under sections 67 and 76 of the Registered Designs Ordinance

勘誤

Corrigendum

## 註冊外觀設計公告註釋

### Notes on advertisements of registration of designs

方括號表示下列資料：

Square brackets indicate the following data：

[11] 註冊編號 Registration number / 聯合王國註冊編號 United Kingdom registration number

[15] 註冊日期 Registration date / 當作註冊日期 Deemed registration date / 聯合王國註冊日期 United Kingdom registration date

[17] 註冊有效期屆滿日期 Expiry date of the period of registration

[22] 提交日期 Filing date / 當作提交日期 Deemed filing date / 聯合王國提交日期 United Kingdom filing date

[30] 聲稱享有的優先權（提交日期 / 巴黎公約國或世界貿易組織成員 / 申請編號） Priority claimed (filing date / Paris Convention country or WTO member / application number)

[51] 國際外觀設計分類號（洛迦諾分類號） International Classification of designs (Locarno Classification)

[54] 物品 Article

[55] 外觀設計的表述 Representation of the design

[62] 分開前的申請編號及提交日期 Application number before division and filing date

[66] 過往註冊的聯繫外觀設計註冊編號 / 日期 Registration No. / Date of Previous Registration for Association

[72] 設計人 Designer

[73] 擁有人姓名和地址 Name and address of the owner

[74] 代理人 Agent /送達地址 Address for service



香港特別行政區政府知識產權署外觀設計註冊處

The Government of the Hong Kong Special Administrative Region

Designs Registry, Intellectual Property Department

## 根據註冊外觀設計條例第 25 條註冊的外觀設計

### Designs registered under section 25 of the Registered Designs Ordinance

按註冊編號排列

Arranged by Registration Number

[11] 2423054.8

[15] 27-03-2024

[51] Cl. 7-01

[54] 飲料的沖飲裝置

Brewing container for beverage

[73] FILEVA Mariia Vladislavovna

Dmitrovskii per., d. 7, kv. 11,

Moscow, 107031,

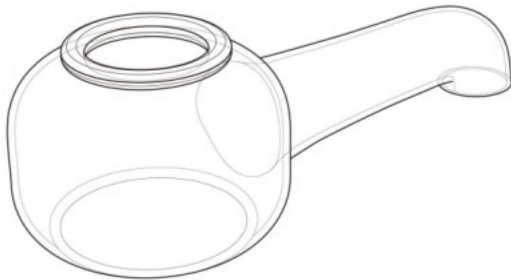
Russian Federation

[74] CHINAHONGKONG IP LIMITED

1502, 15/F, Capital Centre,

151 Gloucester Road,

Wanchai, Hong Kong



[11] 2423830.5

[15] 09-08-2024

[51] Cl. 16-06

[54] 鑽石腰碼放大鏡

Magnifier for waist code of diamond

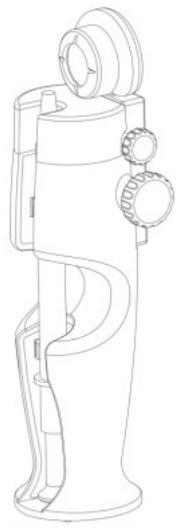
[73] 深圳迪凱工貿有限公司

Shenzhen Dikai Industrial Co., Ltd.

中國

深圳市寶安區新橋街道新橋社區  
新橋崗仔大街 132 號第 10 棟廠房 9 層南面

- [74] 智群科技設計(香港)有限公司  
香港  
九龍九龍灣宏光道 8 號  
創豪坊 7 樓 706 室



- 
- [11] 2424102.2M001  
[15] 25-09-2024  
[30] 26-03-2024 / EU / 015054810  
[51] Cl. 27-99  
[54] 煙霧發生裝置  
Aerosol generating device  
[73] Philip Morris Products S.A.  
Quai Jeanrenaud 3,  
CH-2000 Neuchâtel,  
SWITZERLAND  
[74] CLT PATENT & TRADEMARK (H.K.) LIMITED  
Unit 09, 34/F., Office Tower, Convention Plaza,  
1 Harbour Road, Wanchai,  
Hong Kong



---

[11] 2424102.2M002

[15] 25-09-2024

[30] 26-03-2024 / EU / 015054810

[51] Cl. 27-99

[54] 煙霧發生裝置

Aerosol generating device

[73] Philip Morris Products S.A.

Quai Jeanrenaud 3,

CH-2000 Neuchâtel,

SWITZERLAND

[74] CLT PATENT & TRADEMARK (H.K.) LIMITED

Unit 09, 34/F., Office Tower, Convention Plaza,

1 Harbour Road, Wanchai,

Hong Kong





- [11] 2424113.5  
[15] 26-09-2024  
[30] 31-07-2024 / KR / 30-2024-0030748  
[51] Cl. 9-01  
[54] 化妝品瓶(包裝)  
Bottle for cosmetics (packaging)  
[73] Torriden Co., Ltd.  
2F, 10-3, Doanbuk-ro 93beon-gil,  
Seo-gu, Daejeon, 35350,  
REPUBLIC OF KOREA  
[74] GUANTAO & CHOW SOLICITORS AND NOTARIES  
1801, 18/F, One Taikoo Place,  
979 King's Road, Quarry Bay,  
Hong Kong



- 
- [11] 2424114.7  
[15] 26-09-2024  
[30] 31-07-2024 / KR / 30-2024-0030750  
[51] Cl. 9-01  
[54] 化妝品瓶(包裝)  
Bottle for cosmetics (packaging)  
[73] Torriden Co., Ltd.  
2F, 10-3, Doanbuk-ro 93beon-gil,  
Seo-gu, Daejeon, 35350,  
REPUBLIC OF KOREA  
[74] GUANTAO & CHOW SOLICITORS AND NOTARIES  
1801, 18/F, One Taikoo Place,  
979 King's Road, Quarry Bay,  
Hong Kong



---

[11] 2424115.0

[15] 26-09-2024

[30] 31-07-2024 / KR / 30-2024-0030751

[51] Cl. 9-01

[54] 化妝品瓶(包裝)

Bottle for cosmetics (packaging)

[73] Torriden Co., Ltd.

2F, 10-3, Doanbuk-ro 93beon-gil,

Seo-gu, Daejeon, 35350,

REPUBLIC OF KOREA

[74] GUANTAO & CHOW SOLICITORS AND NOTARIES

1801, 18/F, One Taikoo Place,

979 King's Road, Quarry Bay,

Hong Kong



[11] 2424471.3M001

[15] 06-11-2024

[51] Cl. 7-01

[54] 帶蓋和把手的水瓶

Drinking bottle with lid and handle

[73] Chili Concept Limited

Unit F, 9/F, Reason Group Tower,  
403 Castle Peak Road, Kwai Chung,  
HONG KONG

[74] Chili Concept Limited

Unit F, 9/F, Reason Group Tower,  
403 Castle Peak Road, Kwai Chung,  
Hong Kong



---

[11] 2424471.3M002

[15] 06-11-2024

[51] Cl. 7-01

[54] 帶蓋和把手的水瓶

Drinking bottle with lid and handle

[73] Chili Concept Limited

Unit F, 9/F, Reason Group Tower,  
403 Castle Peak Road, Kwai Chung,  
HONG KONG

[74] Chili Concept Limited

Unit F, 9/F, Reason Group Tower,  
403 Castle Peak Road, Kwai Chung,  
Hong Kong



---

[11] 2424471.3M003

[15] 06-11-2024

[51] Cl. 7-01

[54] 帶蓋和把手的水瓶

Drinking bottle with lid and handle

[73] Chili Concept Limited

Unit F, 9/F, Reason Group Tower,  
403 Castle Peak Road, Kwai Chung,  
HONG KONG

[74] Chili Concept Limited

Unit F, 9/F, Reason Group Tower,  
403 Castle Peak Road, Kwai Chung,  
Hong Kong



---

[11] 2424485.3

[15] 08-11-2024

[51] Cl. 6-01

[54] 長凳

Bench

[73] 吉岡德仁

Norihito YOSHIOKA

9-1, Daikanyamacho,

Shibuya-ku, Tokyo 150-0034,

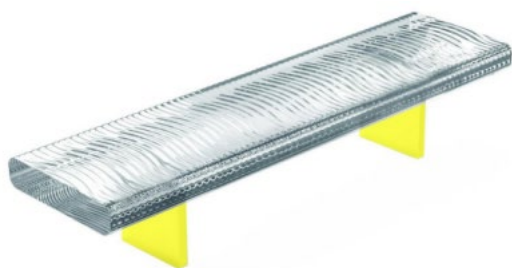
JAPAN

[74] SANYOU INTELLECTUAL PROPERTY LIMITED

Unit 2301, 23/F, Golden Centre,

188 Des Voeux Road, Central,

HONG KONG



---

[11] 2424487.7M001

[15] 08-11-2024

[30] 21-05-2024 / EU / 015061073-0001

[51] Cl. 21-01

[54] 兒童騎乘裝置

Trolley

[73] 斯庫特&賴德控股有限公司

Scoot & Ride Holding GmbH

Steiffstrasse 1,

A-4710 Grieskirchen,

AUSTRIA

[74] MARKS & CLERK

Level 9, Cyberport 1,

100 Cyberport Road, Pok Fu Lam,

HONG KONG



[11] 2424487.7M002

[15] 08-11-2024

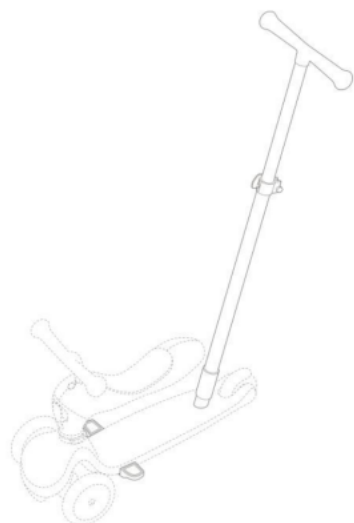
[30] 27-05-2024 / CN / 2024303165176  
21-05-2024 / EU / 015061073-0001

[51] Cl. 21-01

[54] 兒童騎乘裝置  
Trolley

[73] 斯庫特&賴德控股有限公司  
Scoot & Ride Holding GmbH  
Steiffstrasse 1,  
A-4710 Grieskirchen,  
AUSTRIA

[74] MARKS & CLERK  
Level 9, Cyberport 1,  
100 Cyberport Road, Pok Fu Lam,  
HONG KONG



[11] 2424607.4

[15] 27-11-2024

[30] 03-06-2024 / CA, AZ, MX, MC, ME, MA, NO, SG, CH, TR, UA, GB,  
EU, KR / WIPO149132

[51] Cl. 8-07

[54] 手袋扣

Clasp for handbag

[73] CHRISTIAN DIOR COUTURE

30 Avenue Montaigne,

75008 Paris,

FRANCE

[74] WILKINSON & GRIST

11/F, Great Eagle Centre,

23 Harbour Road,

HONG KONG



---

[11] 2424642.7

[15] 29-11-2024

[30] 29-05-2024 / JP / 2024-010846

[51] Cl. 28-03

[54] 加熱眼罩

Heated eye mask

[73] Iris Ohyama Inc.

2-12-1, Itsutsubashi, Aoba-ku,

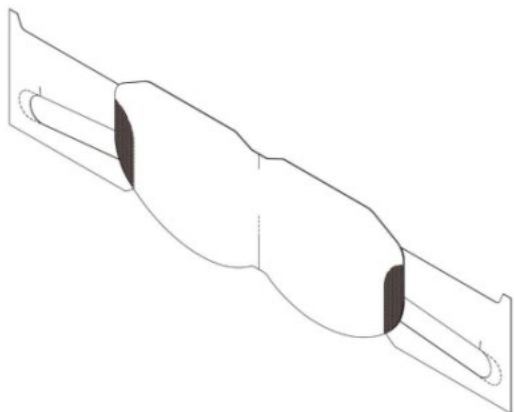
Sendai-shi, Miyagi, 980-8510,

JAPAN

[74] EMILY YIP & CO LIMITED

1st Floor, Kingsfield Centre,

18 Shell Street, Fortress Hill,  
HONG KONG



---

[11] 2424651.6

[15] 02-12-2024

[51] Cl. 10-07

[54] 智能手錶錶帶

Strap for smartwatch

[73] Hamee Global Inc.

3F, Gasan AlTower,

205-27, Gasan digital 1-ro,

Geumcheon-gu, Seoul,

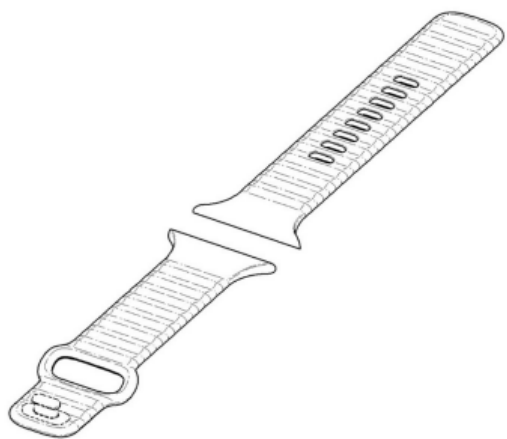
REPUBLIC OF KOREA

[74] NTD PATENT & TRADE MARK AGENCY LIMITED

Units 1805-6, 18/F., Greenfield Tower,

Concordia Plaza, No. 1 Science Museum Road,

Tsimshatsui East, Kowloon, HONG KONG



---

[11] 2424652.8

[15] 02-12-2024



[30] 04-06-2024 / US / 29/945,642

[51] Cl. 13-03

[54] 壓縮型電子插頭

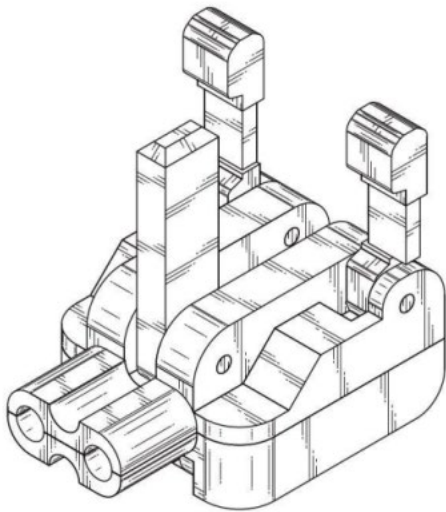
Compact electrical plug

[73] Baruere DIMIRJIAN

Surra, Block 5, Street 1,  
House 49, Surra, 45405,  
KUWAIT

[74] SPRUSON & FERGUSON (HONG KONG) LIMITED

5001 Hopewell Centre,  
183 Queen's Road East, Wan Chai,  
HONG KONG



[11] 2424659.3

[15] 03-12-2024

[51] Cl. 10-07

[54] 智能手錶錶殼

Case for smartwatch

[73] Hamee Global Inc.

3F, Gasan A1Tower,  
205-27, Gasan digital 1-ro,  
Geumcheon-gu, Seoul,  
REPUBLIC OF KOREA

[74] NTD PATENT & TRADE MARK AGENCY LIMITED

Units 1805-6, 18/F., Greenfield Tower,  
Concordia Plaza, No. 1 Science Museum Road,  
Tsimshatsui East, Kowloon, HONG KONG



---

[11] 2424724.1

[15] 16-12-2024

[30] 12-07-2024 / CN / 2024304374094

[51] Cl. 9-09

[54] 垃圾桶蓋

Trash can lid

[73] 广东中新实业有限公司

Guangdong Zhongxin Industrial Co., LTD

中國

惠州市博罗县园洲镇

马嘶工业区 9 号

[74] 旻貝國際知識產權代理有限公司

香港

新界白石角香港科學園

第三期科技大道西 12 號 2 樓 230 室



[11] 2424732.8M001

[15] 16-12-2024

[51] Cl. 11-01

[54] 珠寶飾品

Jewellery ornament

[73] 周大福珠寶金行(深圳)有限公司

CHOW TAI FOOK JEWELLERY (SHENZHEN) CO., LTD.

中國

廣東省深圳市鹽田區深鹽路

黃金珠寶大廈 12 樓 A 座

[74] 中一聯合國際知識產權有限公司

香港

九龍觀塘興業街 20 號

聯合興業工業大廈 5 樓 A26 室



[11] 2424732.8M002

[15] 16-12-2024

[51] Cl. 11-01

[54] 珠寶飾品

Jewellery ornament

[73] 周大福珠寶金行(深圳)有限公司

CHOW TAI FOOK JEWELLERY (SHENZHEN) CO., LTD.

中國

廣東省深圳市鹽田區深鹽路

黃金珠寶大廈 12 樓 A 座

[74] 中一聯合國際知識產權有限公司

香港

九龍觀塘興業街 20 號

聯合興業工業大廈 5 樓 A26 室



[11] 2424732.8M003

[15] 16-12-2024

[51] Cl. 11-01

[54] 珠寶飾品  
Jewellery ornament

[73] 周大福珠宝金行(深圳)有限公司  
CHOW TAI FOOK JEWELLERY (SHENZHEN) CO., LTD.  
中國  
广东省深圳市盐田区深盐路  
黄金珠宝大厦 12 楼 A 座

[74] 中一聯合國際知識產權有限公司  
香港  
九龍觀塘興業街 20 號  
聯合興業工業大廈 5 樓 A26 室



[11] 2424732.8M004

[15] 16-12-2024

[51] Cl. 11-01

[54] 珠寶飾品

Jewellery ornament

[73] 周大福珠宝金行(深圳)有限公司

CHOW TAI FOOK JEWELLERY (SHENZHEN) CO., LTD.

中國

广东省深圳市盐田区深盐路

黄金珠宝大厦 12 楼 A 座

[74] 中一聯合國際知識產權有限公司

香港

九龍觀塘興業街 20 號

聯合興業工業大廈 5 樓 A26 室



---

[11] 2424732.8M005

[15] 16-12-2024

[51] Cl. 11-01

[54] 珠寶飾品

Jewellery ornament

[73] 周大福珠宝金行(深圳)有限公司

CHOW TAI FOOK JEWELLERY (SHENZHEN) CO., LTD.

中國

广东省深圳市盐田区深盐路

黄金珠宝大厦 12 楼 A 座

[74] 中一聯合國際知識產權有限公司

香港

九龍觀塘興業街 20 號

聯合興業工業大廈 5 樓 A26 室



[11] 2424732.8M006

[15] 16-12-2024

[51] Cl. 11-01

[54] 珠寶飾品

Jewellery ornament

[73] 周大福珠宝金行(深圳)有限公司

CHOW TAI FOOK JEWELLERY (SHENZHEN) CO., LTD.

中國

广东省深圳市盐田区深盐路

黄金珠宝大厦 12 楼 A 座

[74] 中一聯合國際知識產權有限公司

香港

九龍觀塘興業街 20 號

聯合興業工業大廈 5 樓 A26 室



[11] 2424770.8M001

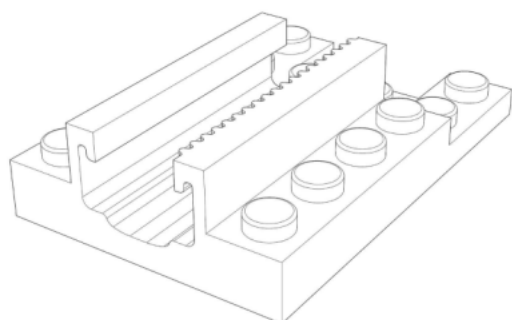
[15] 18-12-2024

[51] Cl. 21-01

[54] 玩具  
Toy

[73] LEGO A/S  
Aastvej 1,  
7190 Billund,  
DENMARK

[74] ROUSE & CO. INTERNATIONAL (OVERSEAS) LIMITED  
26/F., Tesbury Centre,  
28 Queen's Road East,  
HONG KONG



---

[11] 2424770.8M002

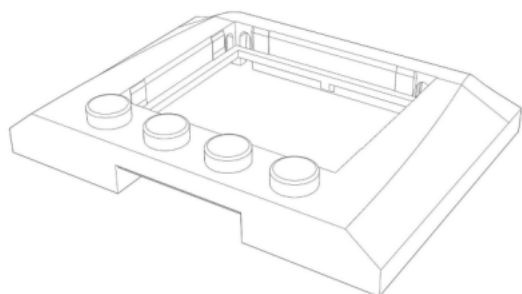
[15] 18-12-2024

[51] Cl. 21-01

[54] 玩具  
Toy

[73] LEGO A/S  
Aastvej 1,  
7190 Billund,  
DENMARK

[74] ROUSE & CO. INTERNATIONAL (OVERSEAS) LIMITED  
26/F., Tesbury Centre,  
28 Queen's Road East,  
HONG KONG



[11] 2424770.8M003

[15] 18-12-2024

[51] Cl. 21-01

[54] 玩具

Toy

[73] LEGO A/S

Aastvej 1,

7190 Billund,

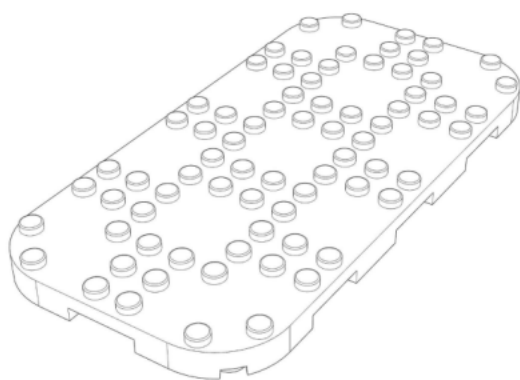
DENMARK

[74] ROUSE & CO. INTERNATIONAL (OVERSEAS) LIMITED

26/F., Tesbury Centre,

28 Queen's Road East,

HONG KONG



---

[11] 2424770.8M004

[15] 18-12-2024

[51] Cl. 21-01

[54] 玩具

Toy

[73] LEGO A/S

Aastvej 1,

7190 Billund,

DENMARK

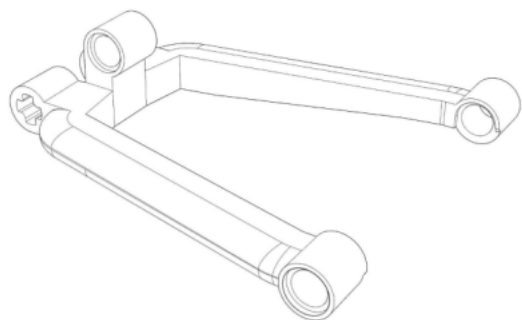
[74] ROUSE & CO. INTERNATIONAL (OVERSEAS) LIMITED

26/F., Tesbury Centre,

28 Queen's Road East,

HONG KONG





---

[11] 2424770.8M005

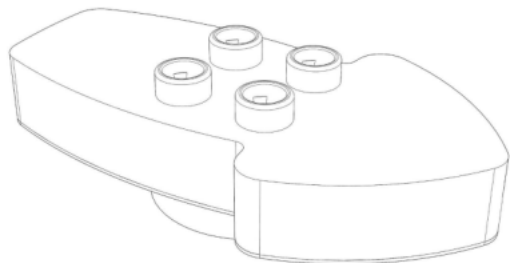
[15] 18-12-2024

[51] Cl. 21-01

[54] 玩具  
Toy

[73] LEGO A/S  
Aastvej 1,  
7190 Billund,  
DENMARK

[74] ROUSE & CO. INTERNATIONAL (OVERSEAS) LIMITED  
26/F., Tesbury Centre,  
28 Queen's Road East,  
HONG KONG



---

[11] 2424770.8M006

[15] 18-12-2024

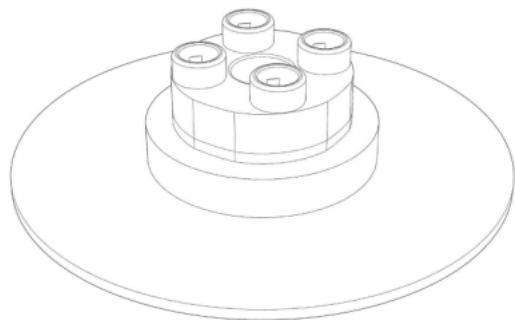
[51] Cl. 21-01

[54] 玩具  
Toy

[73] LEGO A/S  
Aastvej 1,  
7190 Billund,  
DENMARK

[74] ROUSE & CO. INTERNATIONAL (OVERSEAS) LIMITED  
26/F., Tesbury Centre,

28 Queen's Road East,  
HONG KONG



---

[11] 2424770.8M007

[15] 18-12-2024

[51] Cl. 21-01

[54] 玩具

Toy

[73] LEGO A/S

Aastvej 1,

7190 Billund,

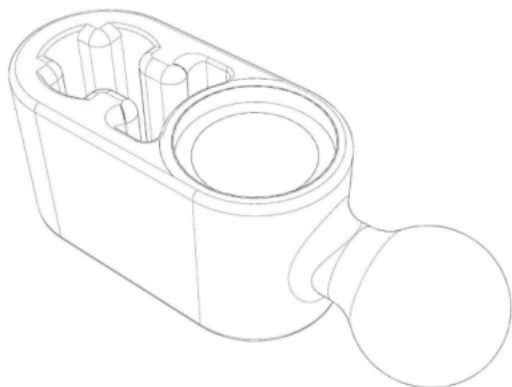
DENMARK

[74] ROUSE & CO. INTERNATIONAL (OVERSEAS) LIMITED

26/F., Tesbury Centre,

28 Queen's Road East,

HONG KONG



---

[11] 2424770.8M008

[15] 18-12-2024

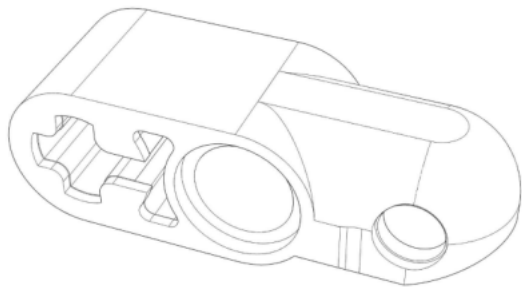
[51] Cl. 21-01

[54] 玩具

Toy

[73] LEGO A/S  
Aastvej 1,  
7190 Billund,  
DENMARK

[74] ROUSE & CO. INTERNATIONAL (OVERSEAS) LIMITED  
26/F., Tesbury Centre,  
28 Queen's Road East,  
HONG KONG



---

[11] 2424770.8M009

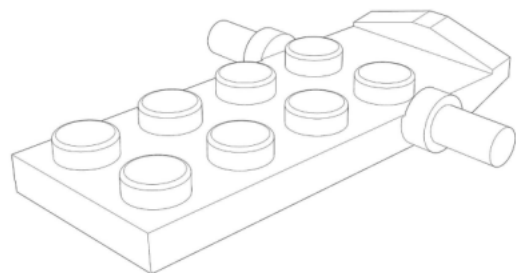
[15] 18-12-2024

[51] Cl. 21-01

[54] 玩具  
Toy

[73] LEGO A/S  
Aastvej 1,  
7190 Billund,  
DENMARK

[74] ROUSE & CO. INTERNATIONAL (OVERSEAS) LIMITED  
26/F., Tesbury Centre,  
28 Queen's Road East,  
HONG KONG



---

[11] 2424770.8M010

[15] 18-12-2024

[51] Cl. 21-01

[54] 玩具

Toy

[73] LEGO A/S

Aastvej 1,  
7190 Billund,  
DENMARK

[74] ROUSE & CO. INTERNATIONAL (OVERSEAS) LIMITED

26/F., Tesbury Centre,  
28 Queen's Road East,  
HONG KONG



---

[11] 2424770.8M011

[15] 18-12-2024

[51] Cl. 21-01

[54] 玩具

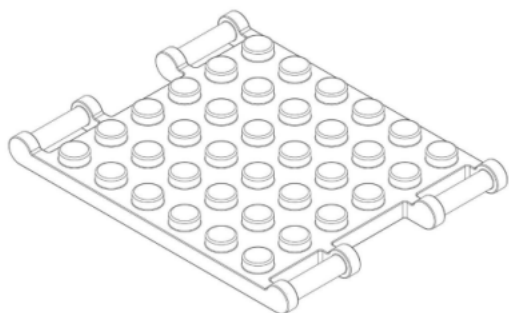
Toy

[73] LEGO A/S

Aastvej 1,  
7190 Billund,  
DENMARK

[74] ROUSE & CO. INTERNATIONAL (OVERSEAS) LIMITED

26/F., Tesbury Centre,  
28 Queen's Road East,  
HONG KONG



---

[11] 2424770.8M012

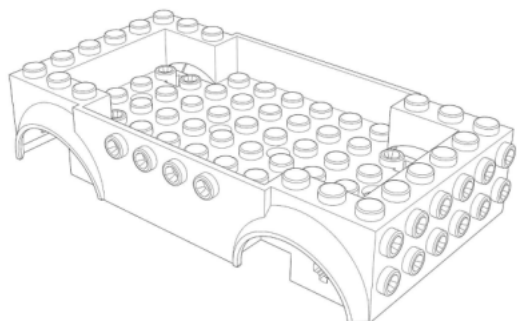
[15] 18-12-2024

[51] Cl. 21-01

[54] 玩具  
Toy

[73] LEGO A/S  
Aastvej 1,  
7190 Billund,  
DENMARK

[74] ROUSE & CO. INTERNATIONAL (OVERSEAS) LIMITED  
26/F., Tesbury Centre,  
28 Queen's Road East,  
HONG KONG



---

[11] 2424770.8M013

[15] 18-12-2024

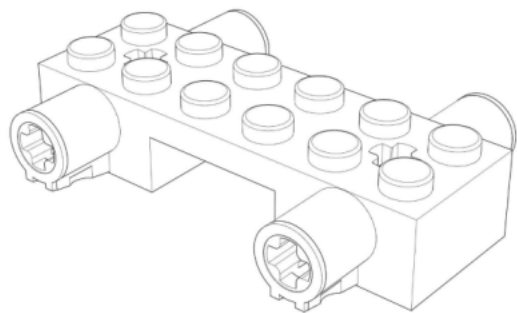
[51] Cl. 21-01

[54] 玩具  
Toy

[73] LEGO A/S  
Aastvej 1,  
7190 Billund,  
DENMARK

[74] ROUSE & CO. INTERNATIONAL (OVERSEAS) LIMITED  
26/F., Tesbury Centre,

28 Queen's Road East,  
HONG KONG



---

[11] 2424770.8M014

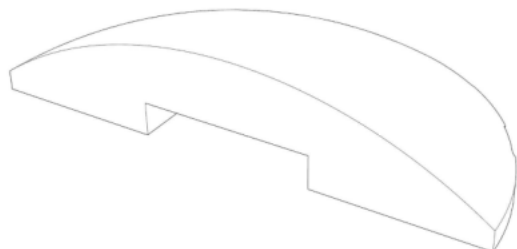
[15] 18-12-2024

[51] Cl. 21-01

[54] 玩具  
Toy

[73] LEGO A/S  
Aastvej 1,  
7190 Billund,  
DENMARK

[74] ROUSE & CO. INTERNATIONAL (OVERSEAS) LIMITED  
26/F., Tesbury Centre,  
28 Queen's Road East,  
HONG KONG



---

[11] 2424770.8M015

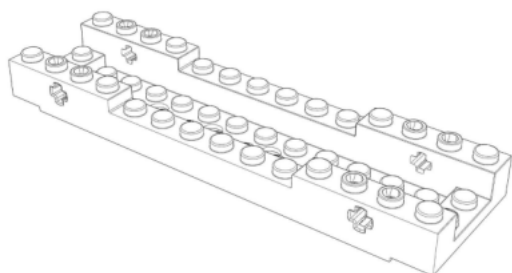
[15] 18-12-2024

[51] Cl. 21-01

[54] 玩具  
Toy

[73] LEGO A/S  
Aastvej 1,  
7190 Billund,  
DENMARK

- [74] ROUSE & CO. INTERNATIONAL (OVERSEAS) LIMITED  
26/F., Tesbury Centre,  
28 Queen's Road East,  
HONG KONG



- 
- [11] 2424770.8M016

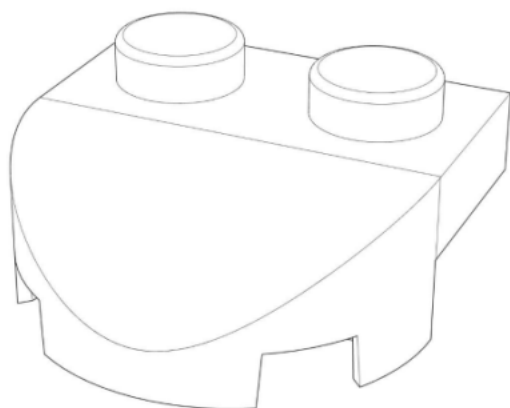
[15] 18-12-2024

[51] Cl. 21-01

[54] 玩具  
Toy

[73] LEGO A/S  
Aastvej 1,  
7190 Billund,  
DENMARK

- [74] ROUSE & CO. INTERNATIONAL (OVERSEAS) LIMITED  
26/F., Tesbury Centre,  
28 Queen's Road East,  
HONG KONG



- 
- [11] 2424770.8M017

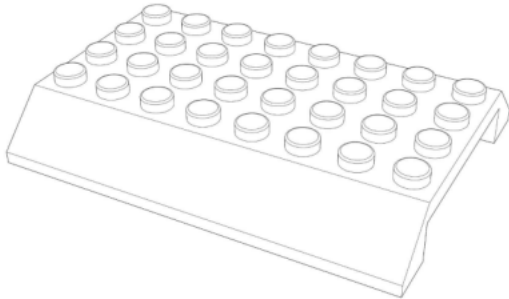
[15] 18-12-2024

[51] Cl. 21-01

[54] 玩具  
Toy

[73] LEGO A/S  
Aastvej 1,  
7190 Billund,  
DENMARK

[74] ROUSE & CO. INTERNATIONAL (OVERSEAS) LIMITED  
26/F., Tesbury Centre,  
28 Queen's Road East,  
HONG KONG



---

[11] 2424770.8M018

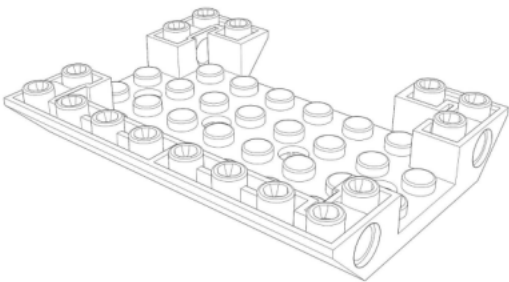
[15] 18-12-2024

[51] Cl. 21-01

[54] 玩具  
Toy

[73] LEGO A/S  
Aastvej 1,  
7190 Billund,  
DENMARK

[74] ROUSE & CO. INTERNATIONAL (OVERSEAS) LIMITED  
26/F., Tesbury Centre,  
28 Queen's Road East,  
HONG KONG



---

[11] 2424770.8M019

[15] 18-12-2024

[51] Cl. 21-01



[54] 玩具

Toy

[73] LEGO A/S

Aastvej 1,  
7190 Billund,  
DENMARK

[74] ROUSE & CO. INTERNATIONAL (OVERSEAS) LIMITED

26/F., Tesbury Centre,  
28 Queen's Road East,  
HONG KONG



---

[11] 2424770.8M020

[15] 18-12-2024

[51] Cl. 21-01

[54] 玩具

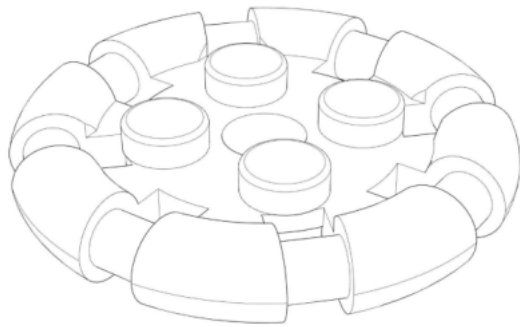
Toy

[73] LEGO A/S

Aastvej 1,  
7190 Billund,  
DENMARK

[74] ROUSE & CO. INTERNATIONAL (OVERSEAS) LIMITED

26/F., Tesbury Centre,  
28 Queen's Road East,  
HONG KONG



---

[11] 2424770.8M021

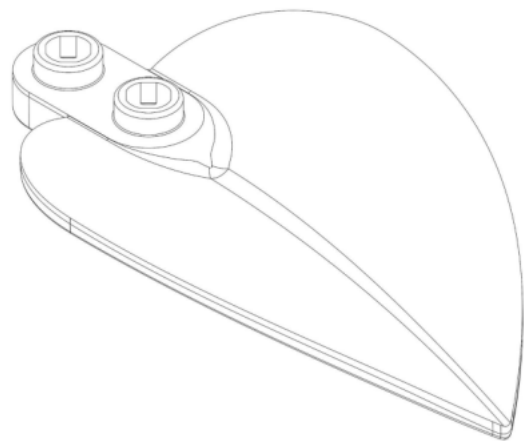
[15] 18-12-2024

[51] Cl. 21-01

[54] 玩具  
Toy

[73] LEGO A/S  
Aastvej 1,  
7190 Billund,  
DENMARK

[74] ROUSE & CO. INTERNATIONAL (OVERSEAS) LIMITED  
26/F., Tesbury Centre,  
28 Queen's Road East,  
HONG KONG



---

[11] 2424770.8M022

[15] 18-12-2024

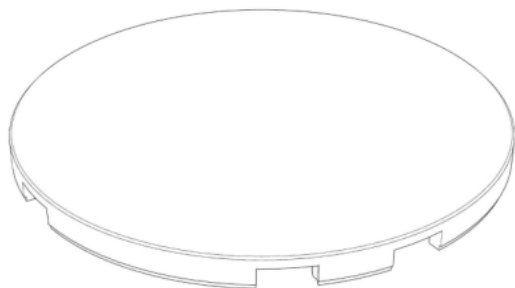
[51] Cl. 21-01

[54] 玩具  
Toy

[73] LEGO A/S  
Aastvej 1,

7190 Billund,  
DENMARK

[74] ROUSE & CO. INTERNATIONAL (OVERSEAS) LIMITED  
26/F., Tesbury Centre,  
28 Queen's Road East,  
HONG KONG



---

[11] 2424770.8M023

[15] 18-12-2024

[51] Cl. 21-01

[54] 玩具  
Toy

[73] LEGO A/S  
Aastvej 1,  
7190 Billund,  
DENMARK

[74] ROUSE & CO. INTERNATIONAL (OVERSEAS) LIMITED  
26/F., Tesbury Centre,  
28 Queen's Road East,  
HONG KONG



---

[11] 2424770.8M024

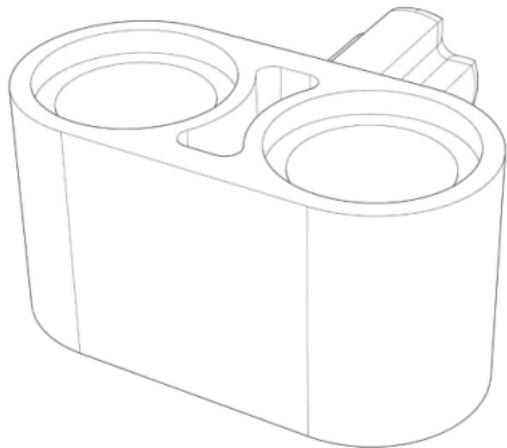
[15] 18-12-2024

[51] Cl. 21-01

[54] 玩具  
Toy

[73] LEGO A/S  
Aastvej 1,  
7190 Billund,  
DENMARK

[74] ROUSE & CO. INTERNATIONAL (OVERSEAS) LIMITED  
26/F., Tesbury Centre,  
28 Queen's Road East,  
HONG KONG



---

[11] 2424770.8M025

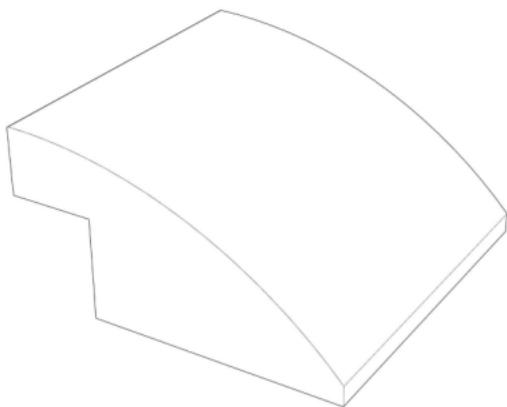
[15] 18-12-2024

[51] Cl. 21-01

[54] 玩具  
Toy

[73] LEGO A/S  
Aastvej 1,  
7190 Billund,  
DENMARK

[74] ROUSE & CO. INTERNATIONAL (OVERSEAS) LIMITED  
26/F., Tesbury Centre,  
28 Queen's Road East,  
HONG KONG



[11] 2424770.8M026

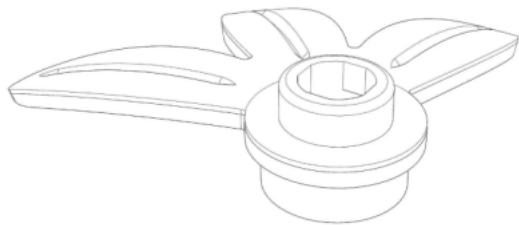
[15] 18-12-2024

[51] Cl. 21-01

[54] 玩具  
Toy

[73] LEGO A/S  
Aastvej 1,  
7190 Billund,  
DENMARK

[74] ROUSE & CO. INTERNATIONAL (OVERSEAS) LIMITED  
26/F., Tesbury Centre,  
28 Queen's Road East,  
HONG KONG



---

[11] 2424770.8M027

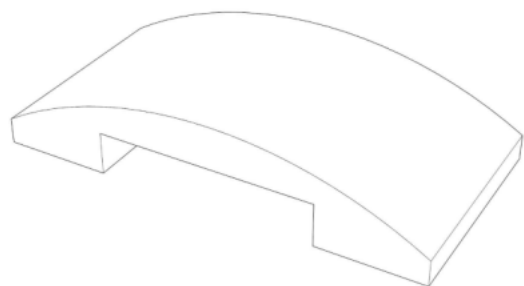
[15] 18-12-2024

[51] Cl. 21-01

[54] 玩具  
Toy

[73] LEGO A/S  
Aastvej 1,  
7190 Billund,  
DENMARK

[74] ROUSE & CO. INTERNATIONAL (OVERSEAS) LIMITED  
26/F., Tesbury Centre,  
28 Queen's Road East,  
HONG KONG



[11] 2424770.8M028

[15] 18-12-2024

[51] Cl. 21-01

[54] 玩具

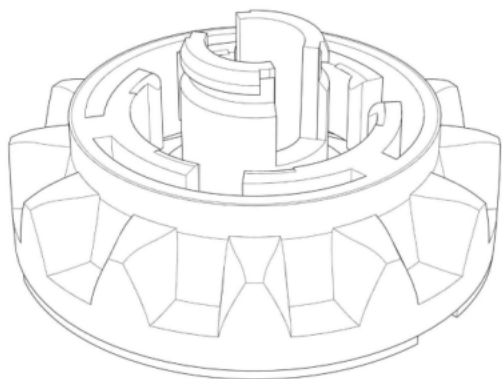
Toy

[73] LEGO A/S

Aastvej 1,  
7190 Billund,  
DENMARK

[74] ROUSE & CO. INTERNATIONAL (OVERSEAS) LIMITED

26/F., Tesbury Centre,  
28 Queen's Road East,  
HONG KONG



---

[11] 2424770.8M029

[15] 18-12-2024

[51] Cl. 21-01

[54] 玩具

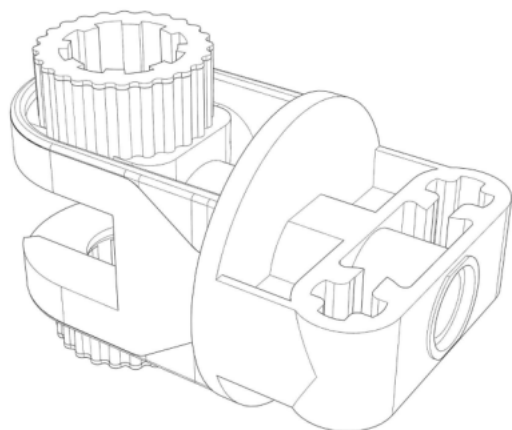
Toy

[73] LEGO A/S

Aastvej 1,  
7190 Billund,  
DENMARK

[74] ROUSE & CO. INTERNATIONAL (OVERSEAS) LIMITED

26/F., Tesbury Centre,  
28 Queen's Road East,  
HONG KONG



---

[11] 2424770.8M030

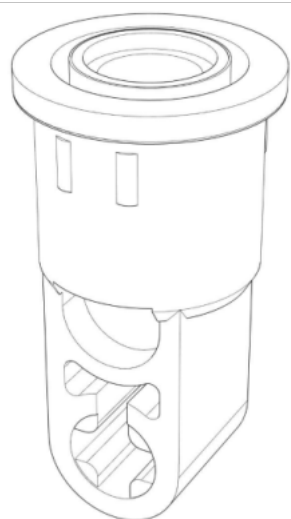
[15] 18-12-2024

[51] Cl. 21-01

[54] 玩具  
Toy

[73] LEGO A/S  
Aastvej 1,  
7190 Billund,  
DENMARK

[74] ROUSE & CO. INTERNATIONAL (OVERSEAS) LIMITED  
26/F., Tesbury Centre,  
28 Queen's Road East,  
HONG KONG



---

[11] 2424770.8M031

[15] 18-12-2024

[51] Cl. 21-01

[54] 玩具

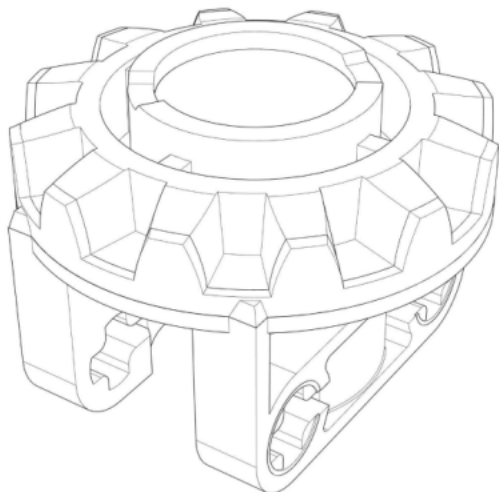
Toy

[73] LEGO A/S

Aastvej 1,  
7190 Billund,  
DENMARK

[74] ROUSE & CO. INTERNATIONAL (OVERSEAS) LIMITED

26/F., Tesbury Centre,  
28 Queen's Road East,  
HONG KONG



---

[11] 2424770.8M032

[15] 18-12-2024

[51] Cl. 21-01

[54] 玩具

Toy

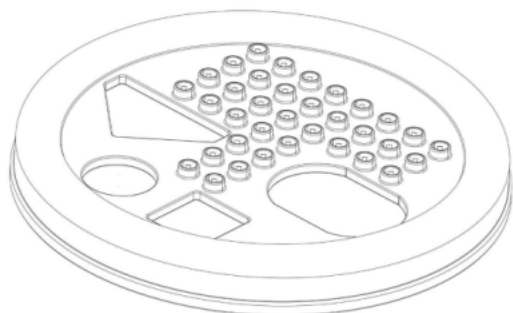
[73] LEGO A/S

Aastvej 1,  
7190 Billund,  
DENMARK

[74] ROUSE & CO. INTERNATIONAL (OVERSEAS) LIMITED

26/F., Tesbury Centre,  
28 Queen's Road East,  
HONG KONG





---

[11] 2424770.8M033

[15] 18-12-2024

[51] Cl. 21-01

[54] 玩具  
Toy

[73] LEGO A/S  
Aastvej 1,  
7190 Billund,  
DENMARK

[74] ROUSE & CO. INTERNATIONAL (OVERSEAS) LIMITED  
26/F., Tesbury Centre,  
28 Queen's Road East,  
HONG KONG



---

[11] 2424770.8M034

[15] 18-12-2024

[51] Cl. 21-01

[54] 玩具  
Toy

- [73] LEGO A/S  
Aastvej 1,  
7190 Billund,  
DENMARK
- [74] ROUSE & CO. INTERNATIONAL (OVERSEAS) LIMITED  
26/F., Tesbury Centre,  
28 Queen's Road East,  
HONG KONG



- 
- [11] 2424782.3
- [15] 20-12-2024
- [51] Cl. 6-01
- [54] 椅子  
Chair
- [73] 佛山市銘凱智能家居科技有限公司  
中國  
廣東省佛山市三水區白坭鎮  
國家火炬計劃佛山電子電器產業基地  
南區 31、32 號 (F6) (住所申報)
- [74] 龍圖騰 (香港) 有限公司  
香港  
新界上水龍琛路 39 號  
上水廣場 21 樓 2113 室 RM 869



---

[11] 2424783.5M001

[15] 20-12-2024

[51] Cl. 14-02

[54] 掃描詞典筆

Scanning dictionary pen

[73] 安徽淘云科技股份有限公司

ANHUI TOYCLOUD TECHNOLOGY CO.,LTD

6F and 23F, Scientific Research Building,

Building 2, Zone A, China Speech Valley,

3333 Xiyou Road, High Tech Zone,

Pilot Free Trade Zone, Hefei, Anhui, CHINA

[74] CLT PATENT & TRADEMARK (H.K.) LIMITED

Unit 09, 34/F., Office Tower,

Convention Plaza, 1 Harbour Road,

Wanchai, HONG KONG



---

[11] 2424783.5M002

[15] 20-12-2024

[51] Cl. 14-02

- [54] 掃描詞典筆  
Scanning dictionary pen
- [73] 安徽淘云科技股份有限公司  
ANHUI TOYCLOUD TECHNOLOGY CO.,LTD  
6F and 23F, Scientific Research Building,  
Building 2, Zone A, China Speech Valley,  
3333 Xiyou Road, High Tech Zone,  
Pilot Free Trade Zone, Hefei, Anhui, CHINA
- [74] CLT PATENT & TRADEMARK (H.K.) LIMITED  
Unit 09, 34/F., Office Tower,  
Convention Plaza,1 Harbour Road,  
Wanchai, HONG KONG



- 
- [11] 2424783.5M003
- [15] 20-12-2024
- [51] Cl. 14-02
- [54] 掃描詞典筆  
Scanning dictionary pen
- [73] 安徽淘云科技股份有限公司  
ANHUI TOYCLOUD TECHNOLOGY CO.,LTD  
6F and 23F, Scientific Research Building,  
Building 2, Zone A, China Speech Valley,  
3333 Xiyou Road, High Tech Zone,  
Pilot Free Trade Zone, Hefei, Anhui, CHINA
- [74] CLT PATENT & TRADEMARK (H.K.) LIMITED  
Unit 09, 34/F., Office Tower,  
Convention Plaza,1 Harbour Road,  
Wanchai, HONG KONG



---

[11] 2424783.5M004

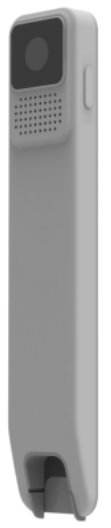
[15] 20-12-2024

[51] Cl. 14-02

[54] 掃描詞典筆  
Scanning dictionary pen

[73] 安徽淘云科技股份有限公司  
ANHUI TOYCLOUD TECHNOLOGY CO.,LTD  
6F and 23F, Scientific Research Building,  
Building 2, Zone A, China Speech Valley,  
3333 Xiyou Road, High Tech Zone,  
Pilot Free Trade Zone, Hefei, Anhui, CHINA

[74] CLT PATENT & TRADEMARK (H.K.) LIMITED  
Unit 09, 34/F., Office Tower,  
Convention Plaza,1 Harbour Road,  
Wanchai, HONG KONG



[11] 2424783.5M005

[15] 20-12-2024

[51] Cl. 14-02

[54] 掃描詞典筆

Scanning dictionary pen

[73] 安徽淘云科技股份有限公司

ANHUI TOYCLOUD TECHNOLOGY CO.,LTD

6F and 23F, Scientific Research Building,

Building 2, Zone A, China Speech Valley,

3333 Xiyou Road, High Tech Zone,

Pilot Free Trade Zone, Hefei, Anhui, CHINA

[74] CLT PATENT & TRADEMARK (H.K.) LIMITED

Unit 09, 34/F., Office Tower,

Convention Plaza, 1 Harbour Road,

Wanchai, HONG KONG



[11] 2424783.5M006

[15] 20-12-2024

[51] Cl. 14-02

[54] 掃描詞典筆

Scanning dictionary pen

[73] 安徽淘云科技股份有限公司

ANHUI TOYCLOUD TECHNOLOGY CO.,LTD

6F and 23F, Scientific Research Building,

Building 2, Zone A, China Speech Valley,

3333 Xiyou Road, High Tech Zone,

Pilot Free Trade Zone, Hefei, Anhui, CHINA

[74] CLT PATENT & TRADEMARK (H.K.) LIMITED

Unit 09, 34/F., Office Tower,

Convention Plaza, 1 Harbour Road,  
Wanchai, HONG KONG



---

[11] 2424788.6M001

[15] 20-12-2024

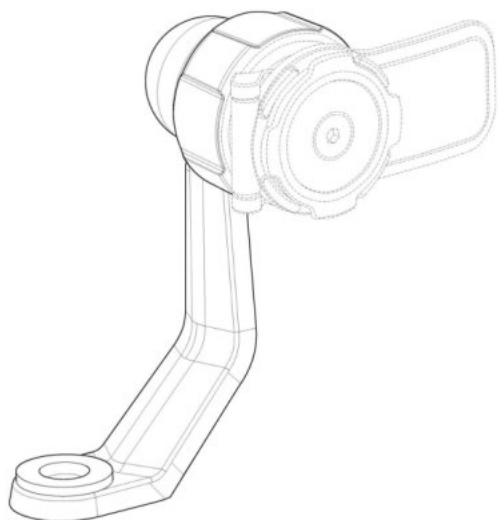
[30] 24-06-2024 / AU / 202414218

[51] Cl. 14-06

[54] 用於移動電子裝置的支架  
Mount for a mobile electronic device

[73] ANNEX PRODUCTS PTY LTD  
Suite 6A Level 3,  
299 Toorak Road,  
South Yarra VIC 3141,  
AUSTRALIA

[74] CHINAHONGKONG IP LIMITED  
1502, 15/F, Capital Centre,  
151 Gloucester Road,  
Wanchai, HONG KONG



---

[11] 2424788.6M002

[15] 20-12-2024

[30] 24-06-2024 / AU / 202414218

[51] Cl. 14-06

[54] 用於移動電子裝置的支架

Mount for a mobile electronic device

[73] ANNEX PRODUCTS PTY LTD

Suite 6A Level 3,

299 Toorak Road,

South Yarra VIC 3141,

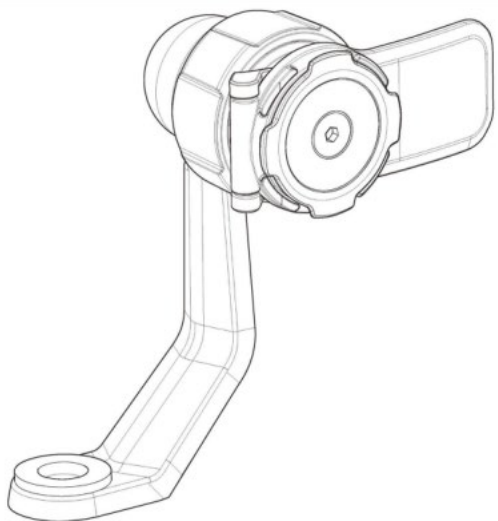
AUSTRALIA

[74] CHINAHONGKONG IP LIMITED

1502, 15/F, Capital Centre,

151 Gloucester Road,

Wanchai, HONG KONG





[11] 2424790.0

[15] 23-12-2024

[30] 27-06-2024 / EU / 015064994-0001

[51] C1. 24-02

[54] 手術器械

Surgical instrument

[73] 李麗

LI LI

中國

安徽省明光市潘村鎮

紫陽村東七組 49 號

[74] 卓遠知識產權有限公司

香港

上環皇后大道中 181 號

新紀元廣場低座 24 樓 2406B 室





香港特別行政區政府知識產權署外觀設計註冊處

The Government of the Hong Kong Special Administrative Region

Designs Registry, Intellectual Property Department

根據註冊外觀設計條例第 28 條，下列註冊外觀設計因未繳續期費而停止有效。

各組記項按註冊外觀設計停止有效日期及註冊編號先後次序排列。

**Registered designs ceased through non-payment of renewal fees under section 28 of the Registered Designs Ordinance. Entries are listed below under their expiry dates.**

**08-01-2025 - 15-01-2025**

**08-01-2025**

1500067.8

2015388.2

1500103.5M001

1500103.5M002

1500103.5M003

2015412.4M001

**09-01-2025**

0500066.4M001

0500066.4M002

2015393.2

2015412.4M002

2015412.4M003

2015412.4M004

2015412.4M005

2015413.6

**11-01-2025**

1500074.2M001

1500074.2M002

1500074.2M003

1500074.2M004

1500076.7

2015414.8

2015415.1

2015416.3

2015417.5

**15-01-2025**

1000082.4

**12-01-2025**

1500080.5

1500081.7

1500082.9

1500083.1M001

1500108.6M001

1500108.6M002

1500108.6M003

1500108.6M004

1500109.8

2015422.5M001

**13-01-2025**

0500097.9M001

1500089.4

1500094.4M004

2015410.0M001

2015410.0M002

2015422.5M002

2015422.5M003

2015430.2

**14-01-2025**

1000047.1M001

1000047.1M002

1500099.5M002

1500100.9



香港特別行政區政府知識產權署外觀設計註冊處

The Government of the Hong Kong Special Administrative Region

Designs Registry, Intellectual Property Department

根據註冊外觀設計規則第 31 條刪除的註冊外觀設計。各組記項按註冊外觀設計刪除日期及註冊編號先後次序排列。

**Registered designs removed under section 31 of the Registered Designs Rules. Entries are listed below under their removal dates.**

**16-01-2025 - 23-01-2025**

<b>16-01-2025</b>		1914209.0M003
0411501.0M001	<b>17-01-2025</b>	1914210.2
0411501.0M002	1401285.0	1914211.4
0901080.8	1914182.1	1914212.6
1401269.6	1914187.2	
1401279.7M001	1914189.6M001	<b>20-01-2025</b>
1401279.7M002	1914189.6M002	0901099.8
1401279.7M003	1914195.9	0901104.0M001
1401279.7M004	1914196.1	0901104.0M002
1401279.7M005		
1401279.7M006	<b>18-01-2025</b>	<b>21-01-2025</b>
1401279.7M007	1401297.5M001	1401300.3M001
1401279.7M008	1914197.3	1401300.3M002
1914158.1	1914198.5	1401307.8
1914159.3	1914199.7	1401308.0M001
1914160.5	1914201.3M001	1401308.0M002
1914162.9	1914201.3M002	1401308.0M003
1914163.1	1914201.3M003	1500744.4
1914164.3	1914203.7M001	
1914166.8	1914203.7M002	<b>22-01-2025</b>
1914167.0	1914204.9	1401310.4
1914169.4		1500658.2
1914171.8M001	<b>19-01-2025</b>	1914217.7
1914171.8M002	1914207.6M001	1914219.1M001
1914171.8M003	1914207.6M002	1914219.1M002
1914171.8M004	1914207.6M003	1914221.5
1914172.0	1914207.6M004	1914225.4
1914173.2	1914208.8M001	1914227.8M001
1914174.4	1914208.8M006	1914227.8M002
1914175.7	1914208.8M008	1914229.2M001
1914176.9	1914208.8M009	1914229.2M002
1914177.1	1914208.8M010	1914230.4M001
1914178.3	1914209.0M001	1914230.4M002
1914179.5	1914209.0M002	1914231.6M001

1914231.6M002

**23-01-2025**

1401330.6

1401332.0

1914233.0

1914234.2

1914237.9

1914239.3M001

1914239.3M002

1914239.3M003

1914239.3M004

1914243.1



香港特別行政區政府知識產權署外觀設計註冊處

The Government of the Hong Kong Special Administrative Region

Designs Registry, Intellectual Property Department

## 根據註冊外觀設計條例第 76 條，更正已提交文件中的錯誤

### **Correction of errors in filed documents under section 76 of the Registered Designs Ordinance**

下列在 08.11.2024 官方公報刊登的更正錯誤的請求已在 09.01.2025 獲准許

The following request for correction of error advertised in the official journal on 08.11.2024 was allowed on 09.01.2025

[21] 2423500.6

[55] 外觀設計表述

Representations of the Design



香港特別行政區政府知識產權署外觀設計註冊處

The Government of the Hong Kong Special Administrative Region

Designs Registry, Intellectual Property Department

## 根據註冊外觀設計條例第 76 條，更正已提交文件中的錯誤

### Correction of errors in filed documents under section 76 of the Registered Designs Ordinance

任何人士現可對下列更正錯誤的請求提出反對

Request for correction of errors now open to opposition

如任何人士意欲反對下列請求，則須在本官方公報刊登是項更正請求的日期起計的兩個月內，根據註冊外觀設計規則第 62(4) 條，採用指明外觀設計表格第 D9 號提交反對通知。如在限期內沒有收到任何反對通知，處長將依本公報刊登的更正請求的內容，准許是項更正請求。

If any person wishes to oppose the following request, he shall file a notice of opposition in specified Designs Form D9 within two months from the date of advertisement in this official journal under section 62(4) of the Registered Designs Rules. If no notice of opposition is received, the request for correction will be allowed by the Registrar in the present advertised form.

請求更正表述的錯誤

Request made for correction of errors in representations

[21] 2424567.8

[55] 外觀設計表述

Representations of the Design