

香港知識產權公報

Hong Kong Intellectual Property Journal

2025年3月7日

07 March 2025

目錄 Contents

根據註冊外觀設計條例第 25 條註冊的外觀設計

Designs Registered under section 25 of the Registered Designs Ordinance

按註冊編號排列

Arranged by Registration Number

根據註冊外觀設計條例(第 522 章)公布的其他公告

Other Notices Published under the Registered Designs Ordinance (Cap. 522)

根據註冊外觀設計條例第 28 條，註冊外觀設計因未繳續期費而停止有效

Registered designs ceased through non-payment of renewal fees under section 28 of the Registered Designs Ordinance

根據註冊外觀設計規則第 31 條刪除的註冊外觀設計

Registered designs removed under section 31 of the Registered Designs Rules

根據註冊外觀設計條例第 30 條放棄的外觀設計的註冊

Surrender of Registration of Design under section 30 of the Registered Designs Ordinance

以下事項沒有記錄

No Records for the Following Matters

根據註冊外觀設計規則第 37 條，向處長作出轉介

Reference to Registrar under section 37 of the Registered Designs Rules

根據註冊外觀設計條例第 45 條，撤銷註冊

Revocation of Registration under section 45 of the Registered Designs Ordinance

根據註冊外觀設計規則第 46 條，向法院作出轉介

Reference to Court under section 46 of the Registered Designs Rules

根據註冊外觀設計規則第 63 條對不符合規定之處作出糾正

Rectification of Irregularities under section 63 of the Registered Designs Rules

根據註冊外觀設計條例第 66 條，糾正註冊紀錄冊

Rectification of Register under section 66 of the Registered Designs Ordinance

根據註冊外觀設計條例第 67 條 更正註冊紀錄冊內的錯誤

Correction of errors in Register under section 67 of the Registered Designs Ordinance

根據註冊外觀設計條例第 67 及 76 條，更正註冊紀錄冊內及已提交文件中的錯誤

Correction of Errors in Register and in Filed Documents under sections 67 and 76 of the Registered Designs Ordinance

根據註冊外觀設計條例第 76 條，更正已提交文件中的錯誤

Correction of errors in filed documents under section 76 of the Registered Designs Ordinance

勘誤

Corrigendum

註冊外觀設計公告註釋

Notes on advertisements of registration of designs

方括號表示下列資料：

Square brackets indicate the following data：

[11] 註冊編號 Registration number / 聯合王國註冊編號 United Kingdom registration number

[15] 註冊日期 Registration date / 當作註冊日期 Deemed registration date / 聯合王國註冊日期 United Kingdom registration date

[17] 註冊有效期屆滿日期 Expiry date of the period of registration

[22] 提交日期 Filing date / 當作提交日期 Deemed filing date / 聯合王國提交日期 United Kingdom filing date

[30] 聲稱享有的優先權（提交日期 / 巴黎公約國或世界貿易組織成員 / 申請編號） Priority claimed (filing date / Paris Convention country or WTO member / application number)

[51] 國際外觀設計分類號（洛迦諾分類號） International Classification of designs (Locarno Classification)

[54] 物品 Article

[55] 外觀設計的表述 Representation of the design

[62] 分開前的申請編號及提交日期 Application number before division and filing date

[66] 過往註冊的聯繫外觀設計註冊編號 / 日期 Registration No. / Date of Previous Registration for Association

[72] 設計人 Designer

[73] 擁有人姓名和地址 Name and address of the owner

[74] 代理人 Agent /送達地址 Address for service



香港特別行政區政府知識產權署外觀設計註冊處
The Government of the Hong Kong Special Administrative Region
Designs Registry, Intellectual Property Department

根據註冊外觀設計條例第 25 條註冊的外觀設計

Designs registered under section 25 of the Registered Designs Ordinance

按註冊編號排列

Arranged by Registration Number

- [11] 2423736.6
- [15] 22-07-2024
- [30] 22-01-2024 / US / 29/924,996
- [51] Cl. 19-08
- [54] 藥物輸送裝置包裝標籤
Label for packaging medication delivery device
- [73] ELI LILLY AND COMPANY
P.O. Box 6288,
Indianapolis, IN 46206-6288,
United States of America
- [74] MARKS & CLERK
Level 9, Cyberport 1,
100 Cyberport Road, Pok Fu Lam,
Hong Kong



-
- [11] 2424080.4
 - [15] 23-09-2024

[51] Cl. 9-03

[54] 用於包裝盒的表面圖案
Surface pattern for packaging box

[73] 尹顯天
WAN HO TIN
香港
荃灣青山道 215 號
華健樓三樓 C 座

[74] 尹顯天
香港
荃灣青山道 215 號
華健樓三樓 C 座



[11] 2424622.5M001

[15] 28-11-2024

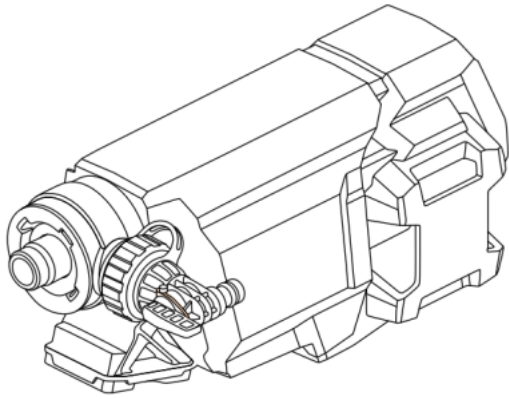
[30] 13-06-2024 / LI / 2024-0472

[51] Cl. 8-01

[54] 取芯鑽具
Core drilling tool

[73] Hilti Aktiengesellschaft
Feldkircherstrasse 100,
9494 Schaan,
LIECHTENSTEIN

[74] WILKINSON & GRIST
11/F, Great Eagle Centre,
23 Harbour Road,
HONG KONG



[11] 2424622.5M002

[15] 28-11-2024

[30] 13-06-2024 / LI / 2024-0472

[51] Cl. 8-01

[54] 取芯鑽具

Core drilling tool

[73] Hilti Aktiengesellschaft

Feldkircherstrasse 100,

9494 Schaan,

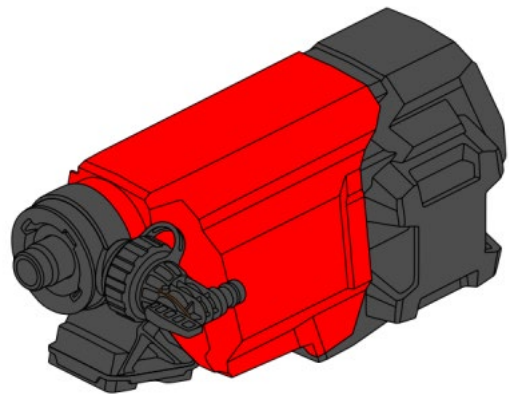
LIECHTENSTEIN

[74] WILKINSON & GRIST

11/F, Great Eagle Centre,

23 Harbour Road,

HONG KONG



[11] 2424658.1

[15] 03-12-2024

[30] 05-06-2024 / EU / 015062600-0013

[51] Cl. 27-07

[54] 電子煙

Electronic cigarette

[73] Philip Morris Products S.A.

Quai Jeanrenaud 3,
CH-2000 Neuchâtel,
SWITZERLAND

[74] CLT PATENT & TRADEMARK (H.K.) LIMITED

Unit 09, 34/F., Office Tower,
Convention Plaza, 1 Harbour Road,
Wanchai, HONG KONG



[11] 2424693.4M001

[15] 11-12-2024

[30] 14-06-2024 / US / 29/947,428

[51] Cl. 13-03

[54] 控制裝置

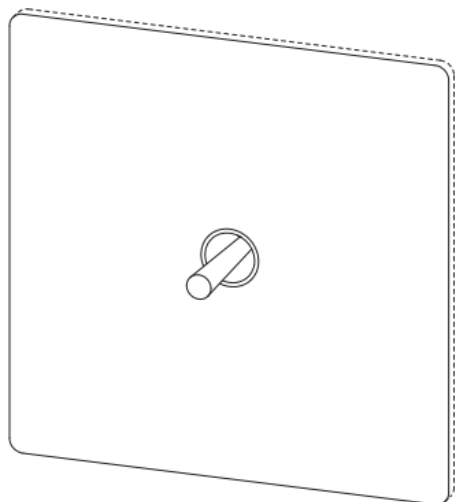
Control device

[73] LUTRON TECHNOLOGY COMPANY LLC

7200 Suter Road,
Coopersburg, PA 18036,
UNITED STATES OF AMERICA

[74] CHINA SINDA INTELLECTUAL PROPERTY LIMITED

Unit 1703, 17/F, World-Wide House,
19 Des Voeux Road Central,
HONG KONG



[11] 2424693.4M002

[15] 11-12-2024

[30] 14-06-2024 / US / 29/947,428

[51] Cl. 13-03

[54] 控制裝置

Control device

[73] LUTRON TECHNOLOGY COMPANY LLC

7200 Suter Road,

Coopersburg, PA 18036,

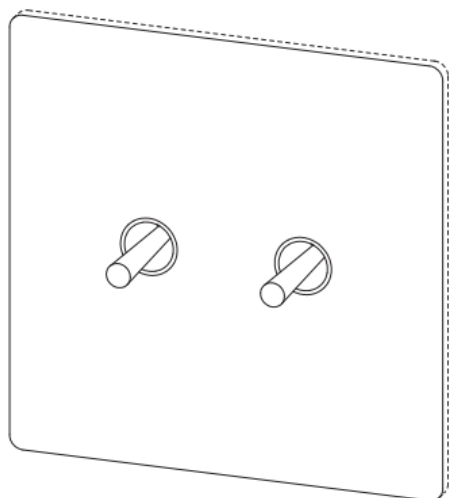
UNITED STATES OF AMERICA

[74] CHINA SINDA INTELLECTUAL PROPERTY LIMITED

Unit 1703, 17/F, World-Wide House,

19 Des Voeux Road Central,

HONG KONG



[11] 2424693.4M003

[15] 11-12-2024

[30] 14-06-2024 / US / 29/947,428

[51] Cl. 13-03

[54] 控制裝置

Control device

[73] LUTRON TECHNOLOGY COMPANY LLC

7200 Suter Road,

Coopersburg, PA 18036,

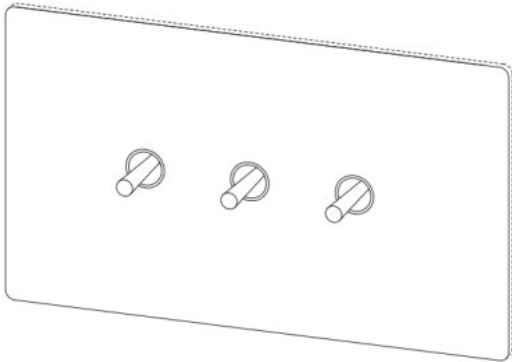
UNITED STATES OF AMERICA

[74] CHINA SINDA INTELLECTUAL PROPERTY LIMITED

Unit 1703, 17/F, World-Wide House,

19 Des Voeux Road Central,

HONG KONG



[11] 2424693.4M004

[15] 11-12-2024

[30] 14-06-2024 / US / 29/947,428

[51] Cl. 13-03

[54] 控制裝置

Control device

[73] LUTRON TECHNOLOGY COMPANY LLC

7200 Suter Road,

Coopersburg, PA 18036,

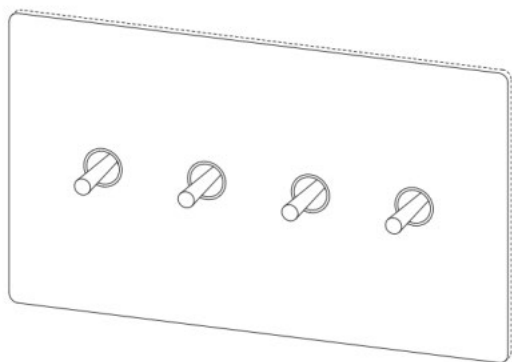
UNITED STATES OF AMERICA

[74] CHINA SINDA INTELLECTUAL PROPERTY LIMITED

Unit 1703, 17/F, World-Wide House,

19 Des Voeux Road Central,

HONG KONG



[11] 2424693.4M005

[15] 11-12-2024

[30] 14-06-2024 / US / 29/947,428

[51] Cl. 13-03

[54] 控制裝置

Control device

[73] LUTRON TECHNOLOGY COMPANY LLC

7200 Suter Road,

Coopersburg, PA 18036,

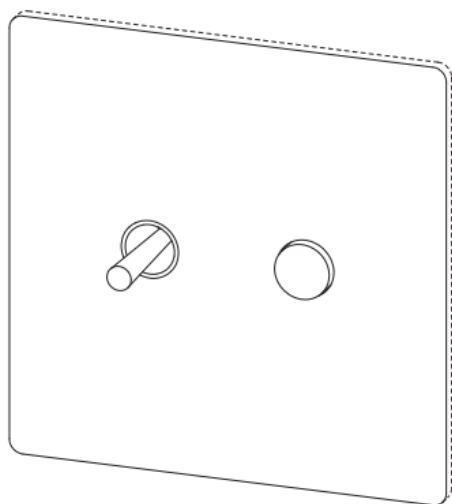
UNITED STATES OF AMERICA

[74] CHINA SINDA INTELLECTUAL PROPERTY LIMITED

Unit 1703, 17/F, World-Wide House,

19 Des Voeux Road Central,

HONG KONG



[11] 2424693.4M006

[15] 11-12-2024

[30] 14-06-2024 / US / 29/947,428

[51] Cl. 13-03

[54] 控制裝置

Control device

[73] LUTRON TECHNOLOGY COMPANY LLC

7200 Suter Road,

Coopersburg, PA 18036,

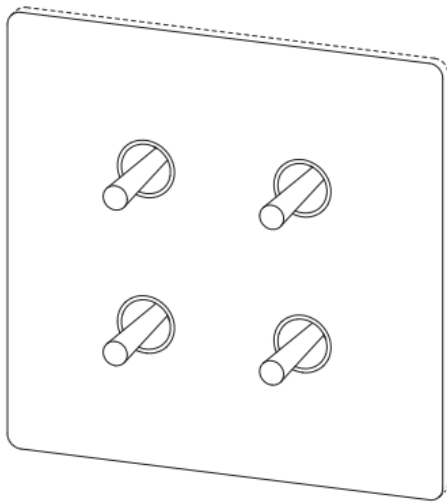
UNITED STATES OF AMERICA

[74] CHINA SINDA INTELLECTUAL PROPERTY LIMITED

Unit 1703, 17/F, World-Wide House,

19 Des Voeux Road Central,

HONG KONG



[11] 2424693.4M007

[15] 11-12-2024

[30] 14-06-2024 / US / 29/947,428

[51] Cl. 13-03

[54] 控制裝置

Control device

[73] LUTRON TECHNOLOGY COMPANY LLC

7200 Suter Road,

Coopersburg, PA 18036,

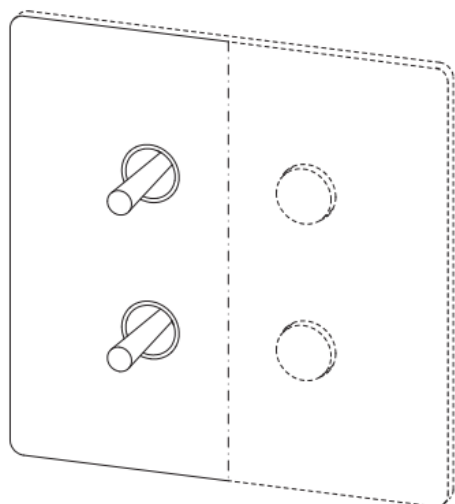
UNITED STATES OF AMERICA

[74] CHINA SINDA INTELLECTUAL PROPERTY LIMITED

Unit 1703, 17/F, World-Wide House,

19 Des Voeux Road Central,

HONG KONG



[11] 2424693.4M008

[15] 11-12-2024

[30] 14-06-2024 / US / 29/947,428

[51] Cl. 13-03

[54] 控制裝置

Control device

[73] LUTRON TECHNOLOGY COMPANY LLC

7200 Suter Road,

Coopersburg, PA 18036,

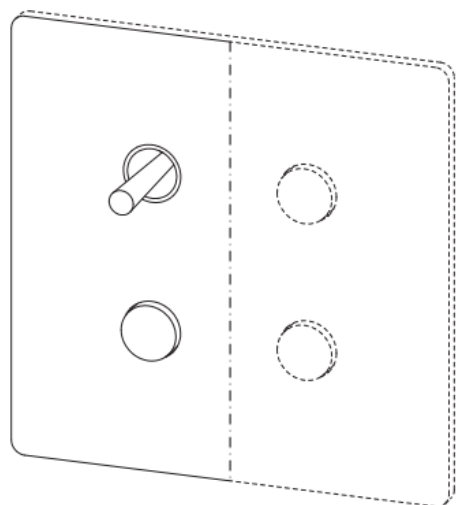
UNITED STATES OF AMERICA

[74] CHINA SINDA INTELLECTUAL PROPERTY LIMITED

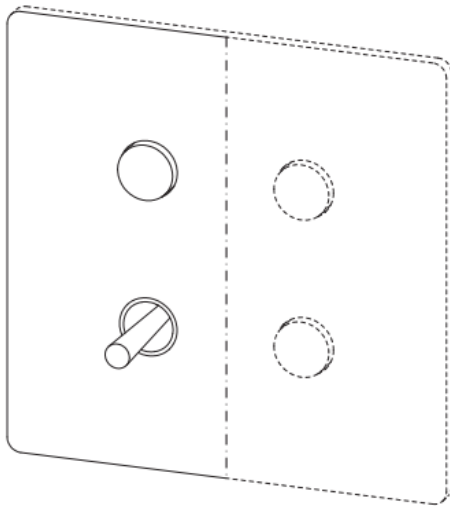
Unit 1703, 17/F, World-Wide House,

19 Des Voeux Road Central,

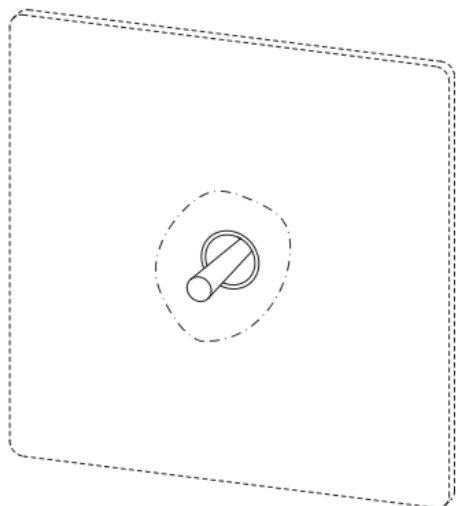
HONG KONG



- [11] 2424693.4M009
- [15] 11-12-2024
- [30] 14-06-2024 / US / 29/947,428
- [51] Cl. 13-03
- [54] 控制裝置
Control device
- [73] LUTRON TECHNOLOGY COMPANY LLC
7200 Suter Road,
Coopersburg, PA 18036,
UNITED STATES OF AMERICA
- [74] CHINA SINDA INTELLECTUAL PROPERTY LIMITED
Unit 1703, 17/F, World-Wide House,
19 Des Voeux Road Central,
HONG KONG



-
- [11] 2424693.4M010
 - [15] 11-12-2024
 - [30] 14-06-2024 / US / 29/947,428
 - [51] Cl. 13-03
 - [54] 控制裝置
Control device
 - [73] LUTRON TECHNOLOGY COMPANY LLC
7200 Suter Road,
Coopersburg, PA 18036,
UNITED STATES OF AMERICA
 - [74] CHINA SINDA INTELLECTUAL PROPERTY LIMITED
Unit 1703, 17/F, World-Wide House,
19 Des Voeux Road Central,
HONG KONG



[11] 2424693.4M011

[15] 11-12-2024

[30] 14-06-2024 / US / 29/947,428

[51] Cl. 13-03

[54] 控制裝置

Control device

[73] LUTRON TECHNOLOGY COMPANY LLC

7200 Suter Road,

Coopersburg, PA 18036,

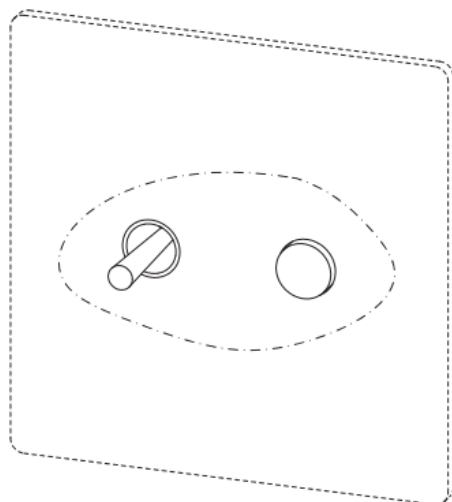
UNITED STATES OF AMERICA

[74] CHINA SINDA INTELLECTUAL PROPERTY LIMITED

Unit 1703, 17/F, World-Wide House,

19 Des Voeux Road Central,

HONG KONG



[11] 2424711.4M001

[15] 12-12-2024

[30] 17-06-2024 / IT / 402024000001993

[51] Cl. 2-04

[54] 鞋

Shoes

[73] VALENTINO S.p.A.

Via Turati, 16/18,

I-20121 MILANO,

ITALY

[74] BIRD & BIRD

6/F, The Annex,

Central Plaza,

18 Harbour Road,

HONG KONG



[11] 2424711.4M002

[15] 12-12-2024

[30] 17-06-2024 / IT / 402024000001993

[51] Cl. 2-04

[54] 鞋

Shoes

[73] VALENTINO S.p.A.

Via Turati, 16/18,

I-20121 MILANO,

ITALY

[74] BIRD & BIRD

6/F, The Annex,

Central Plaza,

18 Harbour Road,

HONG KONG



[11] 2424711.4M003

[15] 12-12-2024

[30] 17-06-2024 / IT / 402024000001993

[51] Cl. 2-04

[54] 鞋

Shoes

[73] VALENTINO S.p.A.

Via Turati, 16/18,

I-20121 MILANO,

ITALY

[74] BIRD & BIRD

6/F, The Annex,

Central Plaza,

18 Harbour Road,

HONG KONG



[11] 2424737.9

[15] 17-12-2024

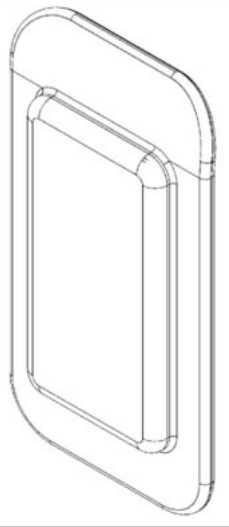
[30] 19-06-2024 / AU / 202414100

[51] Cl. 8-08

[54] 無線麥克風用磁力夾
A magnetic clip for a wireless microphone

[73] Freedman Electronics Pty Ltd
107 Carnarvon St,
Silverwater, NSW 2128,
AUSTRALIA

[74] HKIPA LIMITED
Unit 230, 2/F, Building 12W,
No. 12 Science Park West Avenue,
Phase 3, Hong Kong Science Park,
Pak Shek Kok, N.T., HONG KONG



[11] 2424738.1

[15] 17-12-2024

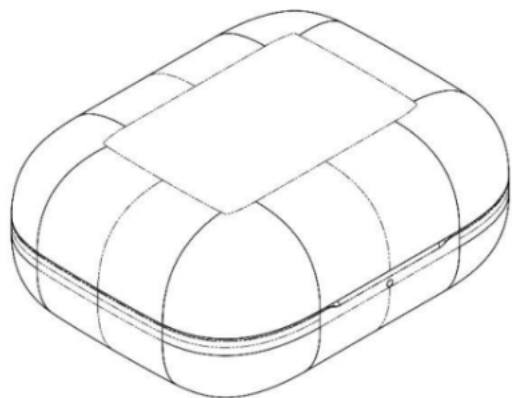
[30] 19-06-2024 / AU / 202414099

[51] Cl. 3-01

[54] 麥克風盒
A microphone case

[73] Freedman Electronics Pty Ltd
107 Carnarvon St,
Silverwater, NSW 2128,
AUSTRALIA

[74] HKIPA LIMITED
Unit 230, 2/F, Building 12W,
No. 12 Science Park West Avenue,
Phase 3, Hong Kong Science Park,
Pak Shek Kok, N.T., HONG KONG



[11] 2424739.3

[15] 17-12-2024

[30] 19-06-2024 / AU / 202414096

[51] Cl. 14-03

[54] 帶夾子的無線麥克風發射器

A wireless microphone transmitter with clip

[73] Freedman Electronics Pty Ltd

107 Carnarvon St,

Silverwater, NSW 2128,

AUSTRALIA

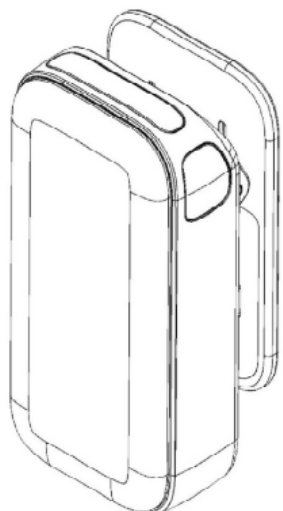
[74] HKIPA LIMITED

Unit 230, 2/F, Building 12W,

No. 12 Science Park West Avenue,

Phase 3, Hong Kong Science Park,

Pak Shek Kok, N.T., HONG KONG



[11] 2424740.5

[15] 17-12-2024

[30] 19-06-2024 / AU / 202414098

[51] Cl. 14-03

[54] 無線麥克風接收器

Wireless microphone receiver

[73] Freedman Electronics Pty Ltd

107 Carnarvon St,

Silverwater, NSW 2128,

AUSTRALIA

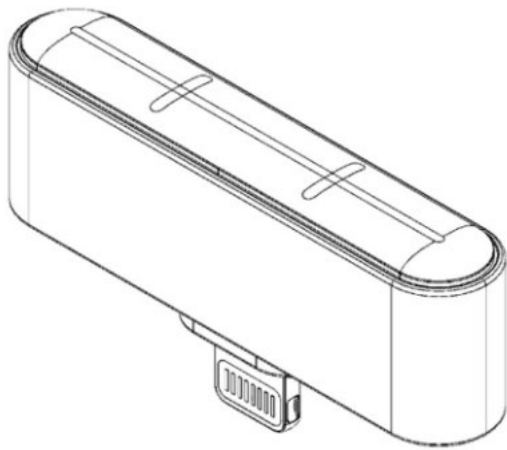
[74] HKIPA LIMITED

Unit 230, 2/F, Building 12W,

No. 12 Science Park West Avenue,

Phase 3, Hong Kong Science Park,

Pak Shek Kok, N.T., HONG KONG



[11] 2424741.7

[15] 17-12-2024

[30] 19-06-2024 / AU / 202414097

[51] Cl. 14-03

[54] 帶夾子和磁力扣的無線麥克風發射器

Wireless microphone transmitter with clip and magnetic fastener

[73] Freedman Electronics Pty Ltd

107 Carnarvon St,

Silverwater, NSW 2128,

AUSTRALIA

[74] HKIPA LIMITED

Unit 230, 2/F, Building 12W,

No. 12 Science Park West Avenue,

Phase 3, Hong Kong Science Park,

Pak Shek Kok, N.T., HONG KONG



[11] 2424804.1M001

[15] 26-12-2024

[30] 03-07-2024 / US / 29/950,609

[51] Cl. 13-03

[54] 控制裝置

Control device

[73] LUTRON TECHNOLOGY COMPANY LLC

7200 Suter Road,

Coopersburg, PA 18036,

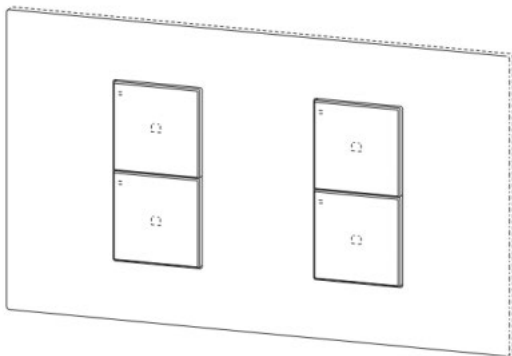
UNITED STATES OF AMERICA

[74] CHINA SINDA INTELLECTUAL PROPERTY LIMITED

Unit 1703, 17/F, World-Wide House,

19 Des Voeux Road Central,

HONG KONG



[11] 2424804.1M002

[15] 26-12-2024

[30] 03-07-2024 / US / 29/950,609

[51] Cl. 13-03

[54] 控制裝置

Control device

[73] LUTRON TECHNOLOGY COMPANY LLC

7200 Suter Road,

Coopersburg, PA 18036,

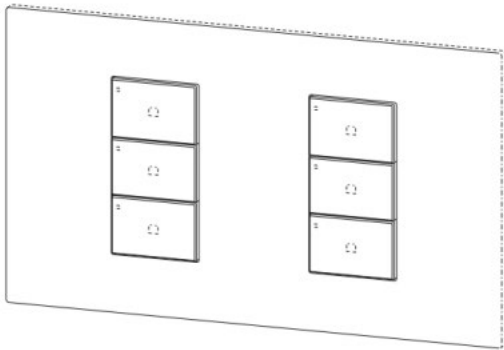
UNITED STATES OF AMERICA

[74] CHINA SINDA INTELLECTUAL PROPERTY LIMITED

Unit 1703, 17/F, World-Wide House,

19 Des Voeux Road Central,

HONG KONG



[11] 2424804.1M003

[15] 26-12-2024

[30] 03-07-2024 / US / 29/950,609

[51] Cl. 13-03

[54] 控制裝置

Control device

[73] LUTRON TECHNOLOGY COMPANY LLC

7200 Suter Road,

Coopersburg, PA 18036,

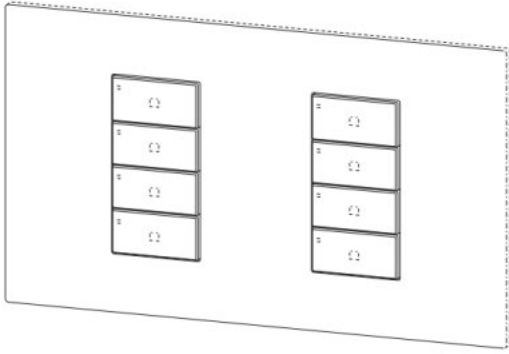
UNITED STATES OF AMERICA

[74] CHINA SINDA INTELLECTUAL PROPERTY LIMITED

Unit 1703, 17/F, World-Wide House,

19 Des Voeux Road Central,

HONG KONG



[11] 2424804.1M004

[15] 26-12-2024

[30] 03-07-2024 / US / 29/950,609

[51] Cl. 13-03

[54] 控制裝置

Control device

[73] LUTRON TECHNOLOGY COMPANY LLC

7200 Suter Road,

Coopersburg, PA 18036,

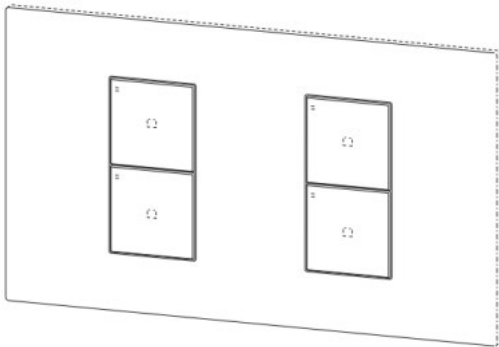
UNITED STATES OF AMERICA

[74] CHINA SINDA INTELLECTUAL PROPERTY LIMITED

Unit 1703, 17/F, World-Wide House,

19 Des Voeux Road Central,

HONG KONG



[11] 2424804.1M005

[15] 26-12-2024

[30] 03-07-2024 / US / 29/950,609

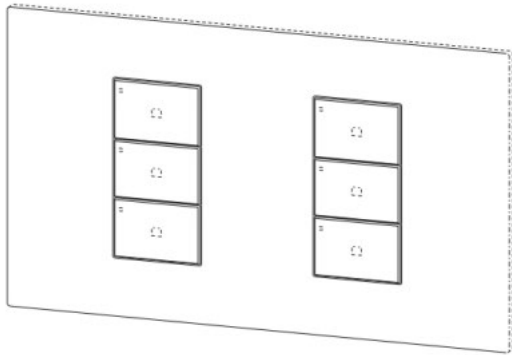
[51] Cl. 13-03

[54] 控制裝置

Control device

[73] LUTRON TECHNOLOGY COMPANY LLC
7200 Suter Road,
Coopersburg, PA 18036,
UNITED STATES OF AMERICA

[74] CHINA SINDA INTELLECTUAL PROPERTY LIMITED
Unit 1703, 17/F, World-Wide House,
19 Des Voeux Road Central,
HONG KONG



[11] 2424804.1M006

[15] 26-12-2024

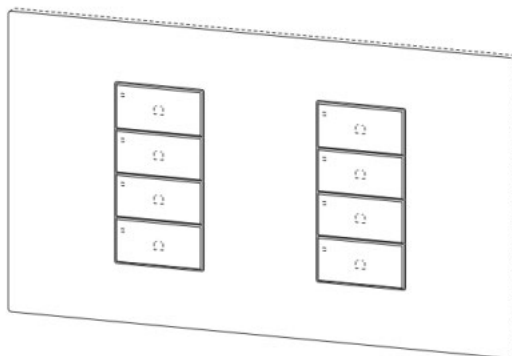
[30] 03-07-2024 / US / 29/950,609

[51] Cl. 13-03

[54] 控制裝置
Control device

[73] LUTRON TECHNOLOGY COMPANY LLC
7200 Suter Road,
Coopersburg, PA 18036,
UNITED STATES OF AMERICA

[74] CHINA SINDA INTELLECTUAL PROPERTY LIMITED
Unit 1703, 17/F, World-Wide House,
19 Des Voeux Road Central,
HONG KONG



[11] 2524844.6M001

[15] 03-01-2025

[30] 30-09-2024 / CN / 202430625026X

[51] Cl. 14-04

[54] 帶有電梯 10 鍵樓層選擇圖形用戶界面的電子設備

Electronic device with elevator 10 key floor selection graphical user interface

[73] 因温特奧股份公司

INVENTIO AG

Seestrasse 55,

CH-6052 Hergiswil NW,

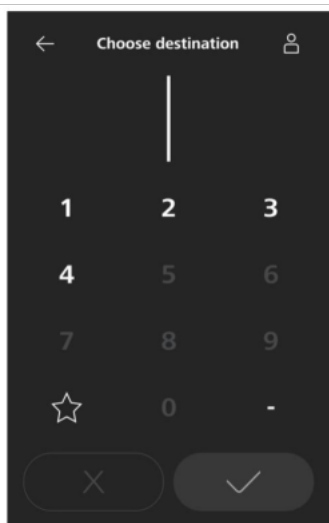
SWITZERLAND

[74] MARKS & CLERK

Level 9, Cyberport 1,

100 Cyberport Road,

Pok Fu Lam, HONG KONG



[11] 2524844.6M002

[15] 03-01-2025

[30] 30-09-2024 / CN / 202430625026X

[51] Cl. 14-04

[54] 帶有電梯 10 鍵樓層選擇圖形用戶界面的電子設備

Electronic device with elevator 10 key floor selection graphical user interface

[73] 因温特奧股份公司

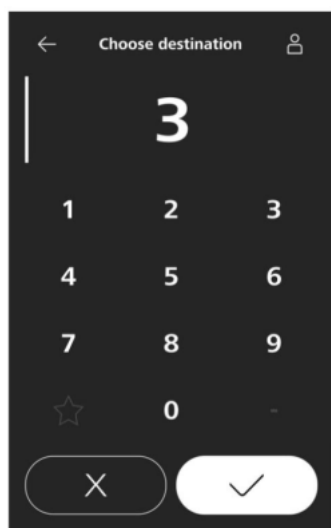
INVENTIO AG

Seestrasse 55,

CH-6052 Hergiswil NW,

SWITZERLAND

[74] MARKS & CLERK
Level 9, Cyberport 1,
100 Cyberport Road,
Pok Fu Lam, HONG KONG



[11] 2524844.6M003

[15] 03-01-2025

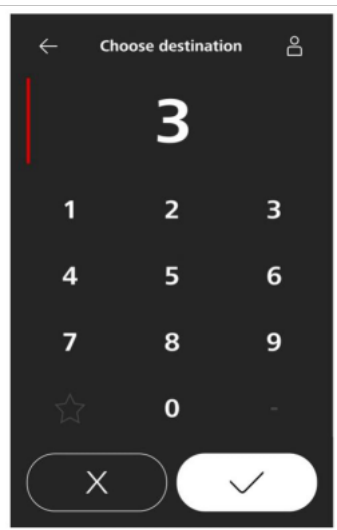
[30] 30-09-2024 / CN / 202430625026X

[51] Cl. 14-04

[54] 帶有電梯 10 鍵樓層選擇圖形用戶界面的電子設備
Electronic device with elevator 10 key floor selection
graphical user interface

[73] 因温特奧股份公司
INVENTIO AG
Seestrasse 55,
CH-6052 Hergiswil NW,
SWITZERLAND

[74] MARKS & CLERK
Level 9, Cyberport 1,
100 Cyberport Road,
Pok Fu Lam, HONG KONG



[11] 2524844.6M004

[15] 03-01-2025

[30] 30-09-2024 / CN / 202430625026X

[51] Cl. 14-04

[54] 帶有電梯 10 鍵樓層選擇圖形用戶界面的電子設備

Electronic device with elevator 10 key floor selection graphical user interface

[73] 因温特奧股份公司

INVENTIO AG

Seestrasse 55,

CH-6052 Hergiswil NW,

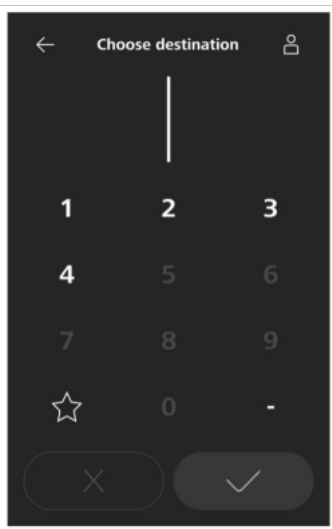
SWITZERLAND

[74] MARKS & CLERK

Level 9, Cyberport 1,

100 Cyberport Road,

Pok Fu Lam, HONG KONG

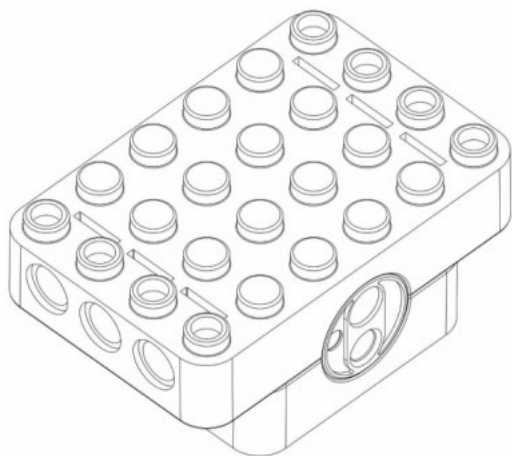


-
- [11] 2524844.6M005
[15] 03-01-2025
[30] 30-09-2024 / CN / 202430625026X
[51] Cl. 14-04
[54] 帶有電梯 10 鍵樓層選擇圖形用戶界面的電子設備
Electronic device with elevator 10 key floor selection
graphical user interface
[73] 因温特奧股份公司
INVENTIO AG
Seestrasse 55,
CH-6052 Hergiswil NW,
SWITZERLAND
[74] MARKS & CLERK
Level 9, Cyberport 1,
100 Cyberport Road,
Pok Fu Lam, HONG KONG



-
- [11] 2524865.1M001
[15] 10-01-2025
[30] 07-10-2024 / EU / 015075206-0001
[51] Cl. 21-01
[54] 玩具
Toy
[73] LEGO A/S
Aastvej 1,
7190 Billund,
DENMARK

[74] ROUSE & CO. INTERNATIONAL (OVERSEAS) LIMITED
26/F., Tesbury Centre,
28 Queen's Road East,
HONG KONG



[11] 2524865.1M002

[15] 10-01-2025

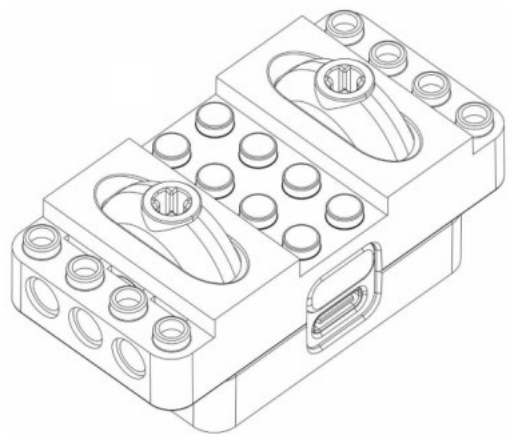
[30] 07-10-2024 / EU / 015075206-0003

[51] Cl. 21-01

[54] 玩具
Toy

[73] LEGO A/S
Aastvej 1,
7190 Billund,
DENMARK

[74] ROUSE & CO. INTERNATIONAL (OVERSEAS) LIMITED
26/F., Tesbury Centre,
28 Queen's Road East,
HONG KONG



[11] 2524865.1M003

[15] 10-01-2025

[30] 07-10-2024 / EU / 015075206-0005

[51] Cl. 21-01

[54] 玩具

Toy

[73] LEGO A/S

Aastvej 1,

7190 Billund,

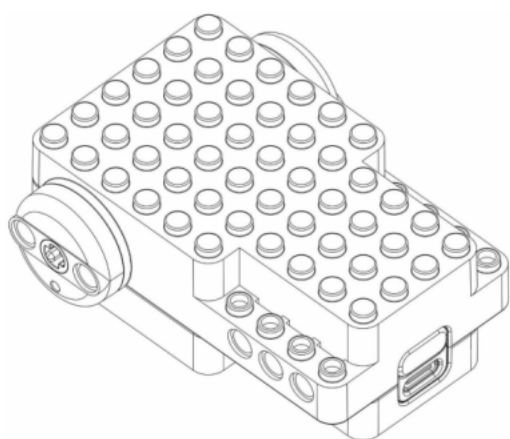
DENMARK

[74] ROUSE & CO. INTERNATIONAL (OVERSEAS) LIMITED

26/F., Tesbury Centre,

28 Queen's Road East,

HONG KONG



[11] 2524865.1M004

[15] 10-01-2025

[30] 07-10-2024 / EU / 015075206-0007

[51] Cl. 21-01

[54] 玩具

Toy

[73] LEGO A/S

Aastvej 1,

7190 Billund,

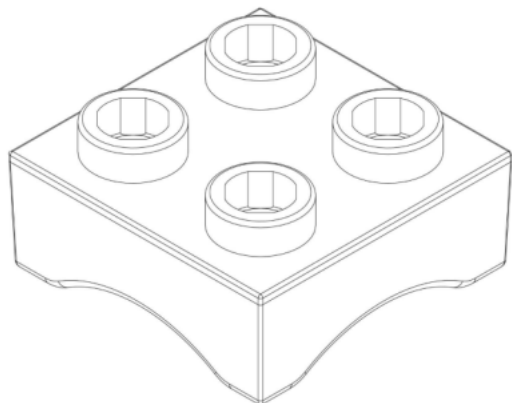
DENMARK

[74] ROUSE & CO. INTERNATIONAL (OVERSEAS) LIMITED

26/F., Tesbury Centre,

28 Queen's Road East,

HONG KONG



[11] 2524865.1M005

[15] 10-01-2025

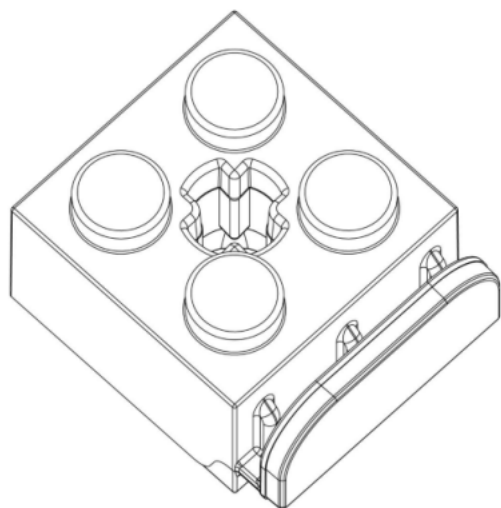
[30] 07-10-2024 / EU / 015075206-0009

[51] Cl. 21-01

[54] 玩具
Toy

[73] LEGO A/S
Aastvej 1,
7190 Billund,
DENMARK

[74] ROUSE & CO. INTERNATIONAL (OVERSEAS) LIMITED
26/F., Tesbury Centre,
28 Queen's Road East,
HONG KONG



[11] 2524865.1M006

[15] 10-01-2025

[30] 07-10-2024 / EU / 015075206-0010

[51] Cl. 21-01

[54] 玩具

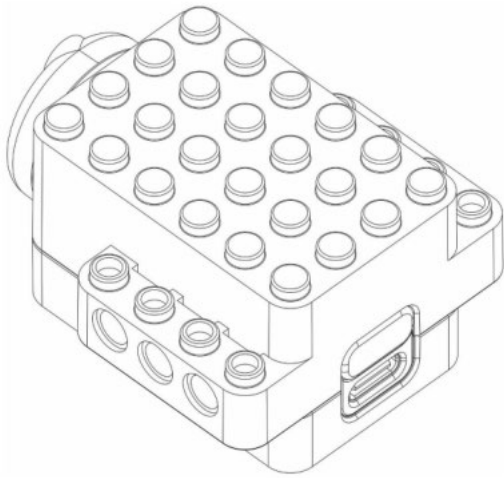
Toy

[73] LEGO A/S

Aastvej 1,
7190 Billund,
DENMARK

[74] ROUSE & CO. INTERNATIONAL (OVERSEAS) LIMITED

26/F., Tesbury Centre,
28 Queen's Road East,
HONG KONG



[11] 2524866.3M001

[15] 10-01-2025

[51] Cl. 21-01

[54] 玩具Q版飛龍

Toy dragon carries playset

[73] 集美塑膠玩具製品廠有限公司

Chap Mei Plastic Toys Manufactory Limited
Unit 541, 5/F., Sino Industrial Plaza,
9 Kai Cheung Road, Kowloon Bay,
Kowloon, HONG KONG

[74] BENNY KONG & TSAI

Unit 19B, Overseas Trust Bank Building,
No. 160 Gloucester Road, Wanchai,
HONG KONG



[11] 2524866.3M002

[15] 10-01-2025

[51] Cl. 21-01

[54] 玩具暴龍彈射車

Toy dino truck

[73] 集美塑膠玩具製品廠有限公司

Chap Mei Plastic Toys Manufactory Limited

Unit 541, 5/F., Sino Industrial Plaza,

9 Kai Cheung Road, Kowloon Bay,

Kowloon, HONG KONG

[74] BENNY KONG & TSAI

Unit 19B, Overseas Trust Bank Building,

No. 160 Gloucester Road, Wanchai,

HONG KONG



[11] 2524866.3M003

[15] 10-01-2025

[51] Cl. 21-01

[54] 玩具恐龍研究車

Toy dino gate hauler

[73] 集美塑膠玩具製品廠有限公司
Chap Mei Plastic Toys Manufactory Limited
Unit 541, 5/F., Sino Industrial Plaza,
9 Kai Cheung Road, Kowloon Bay,
Kowloon, HONG KONG

[74] BENNY KONG & TSAI
Unit 19B, Overseas Trust Bank Building,
No. 160 Gloucester Road, Wanchai,
HONG KONG



[11] 2524866.3M004

[15] 10-01-2025

[51] Cl. 21-01

[54] 玩具女仔屋
Toy girl house

[73] 集美塑膠玩具製品廠有限公司
Chap Mei Plastic Toys Manufactory Limited
Unit 541, 5/F., Sino Industrial Plaza,
9 Kai Cheung Road, Kowloon Bay,
Kowloon, HONG KONG

[74] BENNY KONG & TSAI
Unit 19B, Overseas Trust Bank Building,
No. 160 Gloucester Road, Wanchai,
HONG KONG



[11] 2524866.3M005

[15] 10-01-2025

[51] Cl. 21-01

[54] 玩具大暴龍

Toy giant T-Rex

[73] 集美塑膠玩具製品廠有限公司

Chap Mei Plastic Toys Manufactory Limited

Unit 541, 5/F., Sino Industrial Plaza,

9 Kai Cheung Road, Kowloon Bay,

Kowloon, HONG KONG

[74] BENNY KONG & TSAI

Unit 19B, Overseas Trust Bank Building,

No. 160 Gloucester Road, Wanchai,

HONG KONG



[11] 2524866.3M006

[15] 10-01-2025

[51] Cl. 21-01

[54] 玩具暴龍
Toy T-Rex

[73] 集美塑膠玩具製品廠有限公司
Chap Mei Plastic Toys Manufactory Limited
Unit 541, 5/F., Sino Industrial Plaza,
9 Kai Cheung Road, Kowloon Bay,
Kowloon, HONG KONG

[74] BENNY KONG & TSAI
Unit 19B, Overseas Trust Bank Building,
No. 160 Gloucester Road, Wanchai,
HONG KONG



[11] 2524866.3M007

[15] 10-01-2025

[51] Cl. 21-01

[54] 玩具速龍
Toy raptor

[73] 集美塑膠玩具製品廠有限公司
Chap Mei Plastic Toys Manufactory Limited
Unit 541, 5/F., Sino Industrial Plaza,
9 Kai Cheung Road, Kowloon Bay,
Kowloon, HONG KONG

[74] BENNY KONG & TSAI
Unit 19B, Overseas Trust Bank Building,
No. 160 Gloucester Road, Wanchai,
HONG KONG



[11] 2524866.3M008

[15] 10-01-2025

[51] Cl. 21-01

[54] 玩具履帶電單車

Toy crawler motorcycle

[73] 集美塑膠玩具製品廠有限公司

Chap Mei Plastic Toys Manufactory Limited

Unit 541, 5/F., Sino Industrial Plaza,

9 Kai Cheung Road, Kowloon Bay,

Kowloon, HONG KONG

[74] BENNY KONG & TSAI

Unit 19B, Overseas Trust Bank Building,

No. 160 Gloucester Road, Wanchai,

HONG KONG



[11] 2524873.7M001

[15] 15-01-2025

[30] 06-08-2024 / KH, CA, AM, AZ, BZ, BA, GE, LI, MD, MC, MN, ME, MA, NO, OM, MK, SG, CH, TN, UA, GB, TR, EU, AL, IL, KR, KG / DM/239239

[51] Cl. 11-01

[54] 項鍊

Necklace

[73] Harry Winston SA

Chemin du Tourbillon 8,

CH-1228 Plan-les-Ouates,

SWITZERLAND

[74] SPRUSON & FERGUSON (HONG KONG) LIMITED

5001 Hopewell Centre,

183 Queen's Road East,

Wan Chai, HONG KONG



[11] 2524873.7M002

[15] 15-01-2025

[30] 06-08-2024 / KH, CA, AM, AZ, BZ, BA, GE, LI, MD, MC, MN, ME, MA, NO, OM, MK, SG, CH, TN, UA, GB, TR, EU, AL, IL, KR, KG / DM/239239

[51] Cl. 11-01

[54] 項鍊

Necklace

[73] Harry Winston SA

Chemin du Tourbillon 8,
CH-1228 Plan-les-Ouates,
SWITZERLAND

[74] SPRUSON & FERGUSON (HONG KONG) LIMITED

5001 Hopewell Centre,
183 Queen's Road East,
Wan Chai, HONG KONG



[11] 2524873.7M003

[15] 15-01-2025

[30] 06-08-2024 / KH, CA, AM, AZ, BZ, BA, GE, LI, MD, MC, MN, ME, MA, NO, OM, MK, SG, CH, TN, UA, GB, TR, EU, AL, IL, KR, KG / DM/239239

[51] Cl. 11-01

[54] 指環

Ring

[73] Harry Winston SA

Chemin du Tourbillon 8,
CH-1228 Plan-les-Ouates,
SWITZERLAND

[74] SPRUSON & FERGUSON (HONG KONG) LIMITED
5001 Hopewell Centre,
183 Queen's Road East,
Wan Chai, HONG KONG



[11] 2524873.7M004

[15] 15-01-2025

[30] 06-08-2024 / KH, CA, AM, AZ, BZ, BA, GE, LI, MD, MC, MN, ME,
MA, NO, OM, MK, SG, CH, TN, UA, GB, TR, EU, AL, IL, KR, KG /
DM/239239

[51] Cl. 11-01

[54] 項鍊

Necklace

[73] Harry Winston SA
Chemin du Tourbillon 8,
CH-1228 Plan-les-Ouates,
SWITZERLAND

[74] SPRUSON & FERGUSON (HONG KONG) LIMITED
5001 Hopewell Centre,
183 Queen's Road East,
Wan Chai, HONG KONG



[11] 2524873.7M005

[15] 15-01-2025

[30] 06-08-2024 / KH, CA, AM, AZ, BZ, BA, GE, LI, MD, MC, MN, ME, MA, NO, OM, MK, SG, CH, TN, UA, GB, TR, EU, AL, IL, KR, KG / DM/239239

[51] Cl. 11-01

[54] 手鐲

Bracelet

[73] Harry Winston SA

Chemin du Tourbillon 8,
CH-1228 Plan-les-Ouates,
SWITZERLAND

[74] SPRUSON & FERGUSON (HONG KONG) LIMITED

5001 Hopewell Centre,
183 Queen's Road East,
Wan Chai, HONG KONG



[11] 2524873.7M006

[15] 15-01-2025

[30] 06-08-2024 / KH, CA, AM, AZ, BZ, BA, GE, LI, MD, MC, MN, ME, MA, NO, OM, MK, SG, CH, TN, UA, GB, TR, EU, AL, IL, KR, KG / DM/239239

[51] Cl. 11-01

[54] 項鍊

Necklace

[73] Harry Winston SA

Chemin du Tourbillon 8,
CH-1228 Plan-les-Ouates,
SWITZERLAND

[74] SPRUSON & FERGUSON (HONG KONG) LIMITED

5001 Hopewell Centre,
183 Queen's Road East,
Wan Chai, HONG KONG



[11] 2524873.7M007

[15] 15-01-2025

[30] 06-08-2024 / KH, CA, AM, AZ, BZ, BA, GE, LI, MD, MC, MN, ME, MA, NO, OM, MK, SG, CH, TN, UA, GB, TR, EU, AL, IL, KR, KG / DM/239239

[51] Cl. 11-01

[54] 耳環

Earrings

[73] Harry Winston SA

Chemin du Tourbillon 8,
CH-1228 Plan-les-Ouates,
SWITZERLAND

[74] SPRUSON & FERGUSON (HONG KONG) LIMITED

5001 Hopewell Centre,
183 Queen's Road East,
Wan Chai, HONG KONG



[11] 2524873.7M008

[15] 15-01-2025

[30] 06-08-2024 / KH, CA, AM, AZ, BZ, BA, GE, LI, MD, MC, MN, ME, MA, NO, OM, MK, SG, CH, TN, UA, GB, TR, EU, AL, IL, KR, KG / DM/239239

[51] Cl. 11-01

[54] 指環

Ring

[73] Harry Winston SA

Chemin du Tourbillon 8,
CH-1228 Plan-les-Ouates,
SWITZERLAND

[74] SPRUSON & FERGUSON (HONG KONG) LIMITED
5001 Hopewell Centre,
183 Queen's Road East,
Wan Chai, HONG KONG



[11] 2524876.4

[15] 15-01-2025

[51] Cl. 3-01

[54] 手提袋

Tote bag

[73] 罗欢

Huan Luo

中國

广东省梅州市兴宁市

宁新街道办横新村向阳岭 119 号

[74] 卓遠知識產權有限公司

香港

上環皇后大道中 181 號

新紀元廣場低座 24 樓 2406B 室



[11] 2524877.6M001

[15] 16-01-2025

[30] 16-07-2024 / ZA / A2024-00690

[51] Cl. 14-02

[54] 自助式服務機

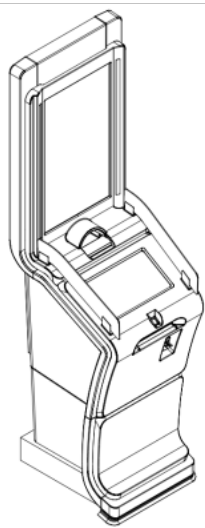
Self-service kiosk

[73] TYME PTE LIMITED

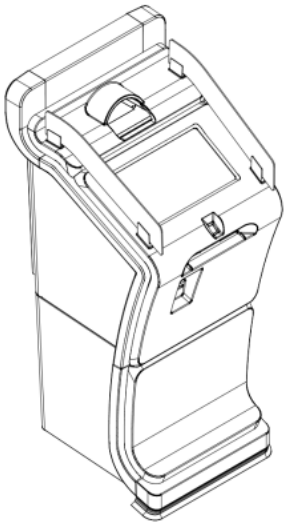
The Great Room #02-20,
Raffles Shopping Arcade,
328 North Bridge Road,
188719, SINGAPORE

[74] HOGAN LOVELLS

11th Floor,
One Pacific Place,
88 Queensway,
HONG KONG

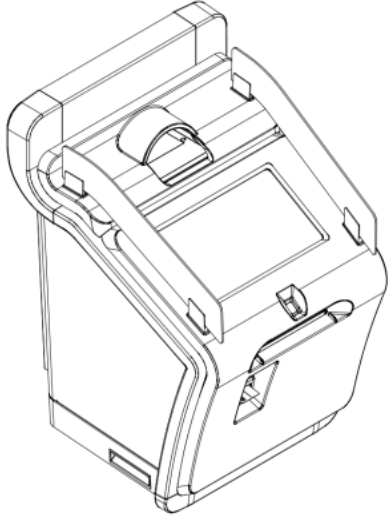


- [11] 2524877.6M002
[15] 16-01-2025
[30] 16-07-2024 / ZA / A2024-00692
[51] Cl. 14-02
[54] 自助式服務機
Self-service kiosk
[73] TYME PTE LIMITED
The Great Room #02-20,
Raffles Shopping Arcade,
328 North Bridge Road,
188719, SINGAPORE
[74] HOGAN LOVELLS
11th Floor,
One Pacific Place,
88 Queensway,
HONG KONG



-
- [11] 2524877.6M003
[15] 16-01-2025
[30] 16-07-2024 / ZA / A2024-00696
[51] Cl. 14-02
[54] 自助式服務機
Self-service kiosk
[73] TYME PTE LIMITED
The Great Room #02-20,
Raffles Shopping Arcade,
328 North Bridge Road,
188719, SINGAPORE

[74] HOGAN LOVELLS
11th Floor,
One Pacific Place,
88 Queensway,
HONG KONG



[11] 2524879.0

[15] 16-01-2025

[51] C1. 9-03

[54] 包裝盒
Package box

[73] 歐陽穎珊
OUYANG YINGSHAN
香港
屯門建發街 22 號
新興工業大廈 11 樓 10 室

[74] OUYANG YINGSHAN
香港
屯門建發街 22 號
新興工業大廈 11 樓 10 室



[11] 2524880.2

[15] 16-01-2025

[51] C1. 21-01

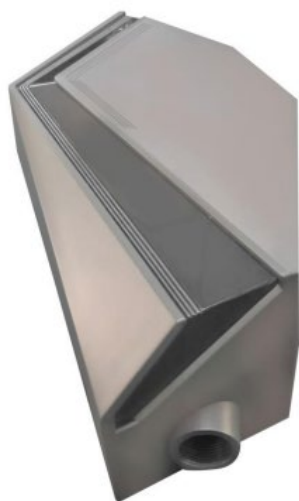
[54] 擺設公仔
Decorative figure

[73] 利特快有限公司
The Sharper Edge Limited
Room 911-912, Tower B,
New Mandarin Plaza,
14 Science Museum Road,
HONG KONG

[74] The Sharper Edge Limited
Room 911-912, Tower B,
New Mandarin Plaza,
14 Science Museum Road,
HONG KONG



- [11] 2524885.3
[15] 17-01-2025
[51] Cl. 13-02
[54] 充電樁
Charging station
[73] 香港電動能源有限公司
中國
香港新界沙田
香港科學園西大街 12 號
12W 大廈 8 樓 805-806 室
[74] 龍圖騰（香港）有限公司
香港
新界上水龍琛路 39 號
上水廣場 21 樓 2113 室 RM 869



-
- [11] 2524887.7M001
[15] 17-01-2025
[30] 06-11-2024 / JP / 2024-023011
[51] Cl. 9-03
[54] 包裝盒
Packing box
[73] 久光製藥株式會社
HISAMITSU PHARMACEUTICAL CO., INC.
408, Tashirodaikan-machi,
Tosu-shi, Saga 841-0017,
JAPAN
[74] WILKINSON & GRIST
11/F, Great Eagle Centre,

23 Harbour Road,
HONG KONG



[11] 2524887.7M002

[15] 17-01-2025

[30] 06-11-2024 / JP / 2024-023012

[51] Cl. 9-03

[54] 包裝盒

Packing box

[73] 久光製藥株式會社

HISAMITSU PHARMACEUTICAL CO., INC.

408, Tashirodaikan-machi,

Tosu-shi, Saga 841-0017,

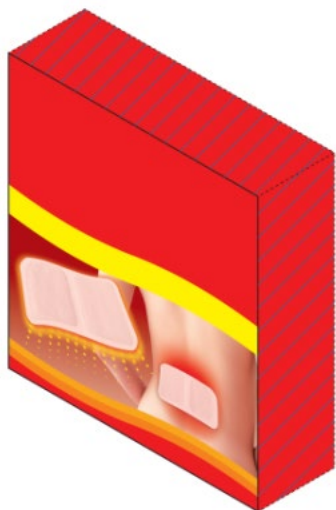
JAPAN

[74] WILKINSON & GRIST

11/F, Great Eagle Centre,

23 Harbour Road,

HONG KONG



[11] 2524888.9

[15] 17-01-2025

[51] Cl. 6-04

[54] 骨灰罈
Cinerary urn

[73] 張雅琴
台灣
台中市北區育強街 92 號

[74] 中港知識產權有限公司
香港
灣仔告士打道 151 號
資本中心 15 樓 1502 室



[11] 2524889.1M001

[15] 20-01-2025

[30] 23-07-2024 / CA, MC, MA, CN, SG, CH, GB, US, VN, TR, EU, JP, KR / WIPO151030

[51] Cl. 3-01

[54] 袋
Bag

[73] HERMES SELLIER
24, Rue du Faubourg Saint-Honoré,
75008 PARIS,
FRANCE

[74] DEACONS
5th Floor, Alexandra House,
Central,
HONG KONG



[11] 2524889.1M002

[15] 20-01-2025

[30] 23-07-2024 / CA, MX, MC, MA, NO, CN, SG, CH, GB, US, VN, TR, EU, JP, KR / WIPO151015

[51] Cl. 3-01

[54] 袋
Bag

[73] HERMES SELLIER
24, Rue du Faubourg Saint-Honoré,
75008 PARIS,
FRANCE

[74] DEACONS
5th Floor, Alexandra House,
Central,
HONG KONG



[11] 2524889.1M003

[15] 20-01-2025

[30] 23-07-2024 / CA, MX, MC, MA, NO, CN, SG, CH, GB, US, VN, TR,
EU, JP, KR / WIPO151034

[51] Cl. 3-01

[54] 袋
Bag

[73] HERMES SELIER
24, Rue du Faubourg Saint-Honoré,
75008 PARIS,
FRANCE

[74] DEACONS
5th Floor, Alexandra House,
Central,
HONG KONG



[11] 2524889.1M004

[15] 20-01-2025

[30] 25-07-2024 / CA, MC, MA, CN, SG, CH, GB, US, VN, TR, EU, JP, KR / WIPO151146

[51] Cl. 3-01

[54] 袋
Bag

[73] HERMES SELLIER
24, Rue du Faubourg Saint-Honoré,
75008 PARIS,
FRANCE

[74] DEACONS
5th Floor, Alexandra House,
Central,
HONG KONG



[11] 2524889.1M005

[15] 20-01-2025

[30] 23-07-2024 / CA, MX, MC, MA, NO, CN, SG, CH, GB, US, VN, TR, EU, JP, KR / WIPO151135

[51] Cl. 3-01

[54] 手提包
Clutch bag

[73] HERMES SELLIER
24, Rue du Faubourg Saint-Honoré,
75008 PARIS,
FRANCE

[74] DEACONS
5th Floor, Alexandra House,
Central,
HONG KONG



[11] 2524889.1M006

[15] 20-01-2025

[30] 06-08-2024 / CA, NO, CN, SG, CH, GB, US, TR, JP, KR /
WIPO151683

[51] Cl. 3-01

[54] 袋
Bag

[73] HERMES SELLIER
24, Rue du Faubourg Saint-Honoré,
75008 PARIS,
FRANCE

[74] DEACONS
5th Floor, Alexandra House,
Central,
HONG KONG



[11] 2524890.3

[15] 20-01-2025

[30] 07-08-2024 / KH, CA, AM, AZ, BZ, BA, GE, LI, MD, MC, MN, ME, MA, NO, OM, RU, MK, SG, CH, TN, UA, GB, TR, EU, AL, IL, KR, KG / DM/239240

[51] Cl. 11-01

[54] 項鍊

Necklace

[73] Harry Winston SA

Chemin du Tourbillon 8,
CH-1228 Plan-les-Ouates,
SWITZERLAND

[74] SPRUSON & FERGUSON (HONG KONG) LIMITED

5001, Hopewell Centre,
183 Queen's Road East, Wan Chai,
HONG KONG



[11] 2524891.5

[15] 20-01-2025

[51] Cl. 14-01

[54] 數字音頻播放器

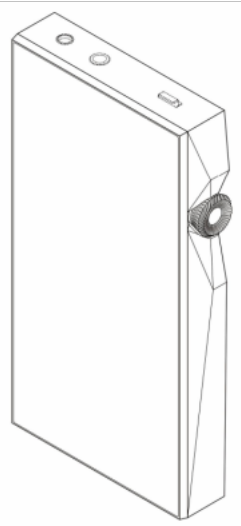
Digital audio player

[73] Dreamus Company

311, Gangnam-daero,
Seocho-gu, Seoul, 06628,
REPUBLIC OF KOREA

[74] HKIPA LIMITED

Unit 230, 2/F, Building 12W,
No. 12 Science Park West Avenue,
Phase 3, Hong Kong Science Park,
Pak Shek Kok, N.T., HONG KONG



[11] 2524892.7M001

[15] 20-01-2025

[51] Cl. 11-01

[54] 珠寶飾品

Jewellery ornament

[73] 周大福珠宝金行(深圳)有限公司

CHOW TAI FOOK JEWELLERY (SHENZHEN) CO., LTD.

中國

广东省深圳市盐田区深盐路

黄金珠宝大厦 12 楼 A 座

[74] 中一聯合國際知識產權有限公司

香港

九龍觀塘興業街 20 號

聯合興業工業大廈 5 樓 A26 室



[11] 2524892.7M002

[15] 20-01-2025

[51] Cl. 11-01

[54] 珠寶飾品

Jewellery ornament

[73] 周大福珠宝金行(深圳)有限公司

CHOW TAI FOOK JEWELLERY (SHENZHEN) CO., LTD.

中國

广东省深圳市盐田区深盐路

黄金珠宝大厦 12 楼 A 座

[74] 中一聯合國際知識產權有限公司

香港

九龍觀塘興業街 20 號

聯合興業工業大廈 5 樓 A26 室



[11] 2524892.7M003

[15] 20-01-2025

[51] Cl. 11-01

[54] 珠寶飾品

Jewellery ornament

[73] 周大福珠宝金行(深圳)有限公司

CHOW TAI FOOK JEWELLERY (SHENZHEN) CO., LTD.

中國

广东省深圳市盐田区深盐路

黄金珠宝大厦 12 楼 A 座

[74] 中一聯合國際知識產權有限公司

香港

九龍觀塘興業街 20 號

聯合興業工業大廈 5 樓 A26 室



[11] 2524892.7M004

[15] 20-01-2025

[51] Cl. 11-01

[54] 珠寶飾品
Jewellery ornament

[73] 周大福珠寶金行(深圳)有限公司
CHOW TAI FOOK JEWELLERY (SHENZHEN) CO., LTD.
中國
廣東省深圳市鹽田區深鹽路
黃金珠寶大廈 12 樓 A 座

[74] 中一聯合國際知識產權有限公司
香港
九龍觀塘興業街 20 號
聯合興業工業大廈 5 樓 A26 室



[11] 2524892.7M005

[15] 20-01-2025

[51] Cl. 11-01

[54] 珠寶飾品

Jewellery ornament

[73] 周大福珠宝金行(深圳)有限公司

CHOW TAI FOOK JEWELLERY (SHENZHEN) CO., LTD.

中國

广东省深圳市盐田区深盐路

黄金珠宝大厦 12 楼 A 座

[74] 中一聯合國際知識產權有限公司

香港

九龍觀塘興業街 20 號

聯合興業工業大廈 5 樓 A26 室



[11] 2524892.7M006

[15] 20-01-2025

[51] Cl. 11-01

[54] 珠寶飾品

Jewellery ornament

[73] 周大福珠宝金行(深圳)有限公司

CHOW TAI FOOK JEWELLERY (SHENZHEN) CO., LTD.

中國

广东省深圳市盐田区深盐路

黄金珠宝大厦 12 楼 A 座

[74] 中一聯合國際知識產權有限公司

香港

九龍觀塘興業街 20 號
聯合興業工業大廈 5 樓 A26 室



[11] 2524892.7M007

[15] 20-01-2025

[51] Cl. 11-01

[54] 珠寶飾品

Jewellery ornament

[73] 周大福珠寶金行(深圳)有限公司

CHOW TAI FOOK JEWELLERY (SHENZHEN) CO., LTD.

中國

广东省深圳市盐田区深盐路

黄金珠宝大厦 12 樓 A 座

[74] 中一聯合國際知識產權有限公司

香港

九龍觀塘興業街 20 號

聯合興業工業大廈 5 樓 A26 室



[11] 2524892.7M008

[15] 20-01-2025

[51] Cl. 11-01

[54] 珠寶飾品
Jewellery ornament

[73] 周大福珠寶金行(深圳)有限公司
CHOW TAI FOOK JEWELLERY (SHENZHEN) CO., LTD.
中國
廣東省深圳市鹽田區深鹽路
黃金珠寶大廈 12 樓 A 座

[74] 中一聯合國際知識產權有限公司
香港
九龍觀塘興業街 20 號
聯合興業工業大廈 5 樓 A26 室



[11] 2524892.7M009

[15] 20-01-2025

[51] Cl. 11-01

[54] 珠寶飾品

Jewellery ornament

[73] 周大福珠宝金行(深圳)有限公司

CHOW TAI FOOK JEWELLERY (SHENZHEN) CO., LTD.

中國

广东省深圳市盐田区深盐路

黄金珠宝大厦 12 楼 A 座

[74] 中一聯合國際知識產權有限公司

香港

九龍觀塘興業街 20 號

聯合興業工業大廈 5 樓 A26 室



[11] 2524892.7M010

[15] 20-01-2025

[51] Cl. 11-01

[54] 珠寶飾品

Jewellery ornament

[73] 周大福珠宝金行(深圳)有限公司

CHOW TAI FOOK JEWELLERY (SHENZHEN) CO., LTD.

中國

广东省深圳市盐田区深盐路

黄金珠宝大厦 12 楼 A 座

[74] 中一聯合國際知識產權有限公司

香港

九龍觀塘興業街 20 號

聯合興業工業大廈 5 樓 A26 室



[11] 2524892.7M011

[15] 20-01-2025

[51] Cl. 11-01

[54] 珠寶飾品

Jewellery ornament

[73] 周大福珠寶金行(深圳)有限公司

CHOW TAI FOOK JEWELLERY (SHENZHEN) CO., LTD.

中國

廣東省深圳市鹽田區深鹽路

黃金珠寶大廈 12 樓 A 座

[74] 中一聯合國際知識產權有限公司

香港

九龍觀塘興業街 20 號

聯合興業工業大廈 5 樓 A26 室



[11] 2524892.7M012

[15] 20-01-2025

[51] Cl. 11-01

- [54] 珠寶飾品
Jewellery ornament
- [73] 周大福珠寶金行(深圳)有限公司
CHOW TAI FOOK JEWELLERY (SHENZHEN) CO., LTD.
中國
廣東省深圳市鹽田區深鹽路
黃金珠寶大廈 12 樓 A 座
- [74] 中一聯合國際知識產權有限公司
香港
九龍觀塘興業街 20 號
聯合興業工業大廈 5 樓 A26 室



-
- [11] 2524892.7M013
- [15] 20-01-2025
- [51] Cl. 11-01
- [54] 珠寶飾品
Jewellery ornament
- [73] 周大福珠寶金行(深圳)有限公司
CHOW TAI FOOK JEWELLERY (SHENZHEN) CO., LTD.
中國
廣東省深圳市鹽田區深鹽路
黃金珠寶大廈 12 樓 A 座
- [74] 中一聯合國際知識產權有限公司
香港
九龍觀塘興業街 20 號
聯合興業工業大廈 5 樓 A26 室



[11] 2524892.7M014

[15] 20-01-2025

[51] Cl. 11-01

[54] 珠寶飾品

Jewellery ornament

[73] 周大福珠宝金行(深圳)有限公司

CHOW TAI FOOK JEWELLERY (SHENZHEN) CO., LTD.

中國

广东省深圳市盐田区深盐路

黄金珠宝大厦 12 楼 A 座

[74] 中一聯合國際知識產權有限公司

香港

九龍觀塘興業街 20 號

聯合興業工業大廈 5 樓 A26 室



[11] 2524892.7M015

[15] 20-01-2025

[51] Cl. 11-01

[54] 珠寶飾品

Jewellery ornament

[73] 周大福珠宝金行(深圳)有限公司

CHOW TAI FOOK JEWELLERY (SHENZHEN) CO., LTD.

中國

广东省深圳市盐田区深盐路
黄金珠宝大厦 12 楼 A 座

- [74] 中一聯合國際知識產權有限公司
香港
九龍觀塘興業街 20 號
聯合興業工業大廈 5 樓 A26 室



[11] 2524892.7M016

[15] 20-01-2025

[51] Cl. 11-01

[54] 珠寶飾品
Jewellery ornament

[73] 周大福珠宝金行(深圳)有限公司
CHOW TAI FOOK JEWELLERY (SHENZHEN) CO., LTD.
中國
广东省深圳市盐田区深盐路
黄金珠宝大厦 12 楼 A 座

[74] 中一聯合國際知識產權有限公司
香港
九龍觀塘興業街 20 號
聯合興業工業大廈 5 樓 A26 室



[11] 2524892.7M017

[15] 20-01-2025

[51] Cl. 11-01

[54] 珠寶飾品
Jewellery ornament

[73] 周大福珠寶金行(深圳)有限公司
CHOW TAI FOOK JEWELLERY (SHENZHEN) CO., LTD.
中國
廣東省深圳市鹽田區深鹽路
黃金珠寶大廈 12 樓 A 座

[74] 中一聯合國際知識產權有限公司
香港
九龍觀塘興業街 20 號
聯合興業工業大廈 5 樓 A26 室



[11] 2524892.7M018

[15] 20-01-2025

[51] Cl. 11-01

[54] 珠寶飾品

Jewellery ornament

[73] 周大福珠宝金行(深圳)有限公司

CHOW TAI FOOK JEWELLERY (SHENZHEN) CO., LTD.

中國

广东省深圳市盐田区深盐路

黄金珠宝大厦 12 楼 A 座

[74] 中一聯合國際知識產權有限公司

香港

九龍觀塘興業街 20 號

聯合興業工業大廈 5 樓 A26 室



[11] 2524892.7M019

[15] 20-01-2025

[51] Cl. 11-01

[54] 珠寶飾品

Jewellery ornament

[73] 周大福珠宝金行(深圳)有限公司

CHOW TAI FOOK JEWELLERY (SHENZHEN) CO., LTD.

中國

广东省深圳市盐田区深盐路

黄金珠宝大厦 12 楼 A 座

[74] 中一聯合國際知識產權有限公司

香港

九龍觀塘興業街 20 號
聯合興業工業大廈 5 樓 A26 室



[11] 2524892.7M020

[15] 20-01-2025

[51] Cl. 11-01

[54] 珠寶飾品

Jewellery ornament

[73] 周大福珠寶金行(深圳)有限公司

CHOW TAI FOOK JEWELLERY (SHENZHEN) CO., LTD.

中國

廣東省深圳市鹽田區深鹽路

黃金珠寶大廈 12 樓 A 座

[74] 中一聯合國際知識產權有限公司

香港

九龍觀塘興業街 20 號

聯合興業工業大廈 5 樓 A26 室



[11] 2524892.7M021

[15] 20-01-2025

[51] Cl. 11-01

[54] 珠寶飾品

Jewellery ornament

[73] 周大福珠宝金行(深圳)有限公司

CHOW TAI FOOK JEWELLERY (SHENZHEN) CO., LTD.

中國

广东省深圳市盐田区深盐路

黄金珠宝大厦 12 楼 A 座

[74] 中一聯合國際知識產權有限公司

香港

九龍觀塘興業街 20 號

聯合興業工業大廈 5 樓 A26 室



[11] 2524892.7M022

[15] 20-01-2025

[51] Cl. 11-01

[54] 珠寶飾品

Jewellery ornament

[73] 周大福珠宝金行(深圳)有限公司

CHOW TAI FOOK JEWELLERY (SHENZHEN) CO., LTD.

中國

广东省深圳市盐田区深盐路

黄金珠宝大厦 12 楼 A 座

[74] 中一聯合國際知識產權有限公司

香港

九龍觀塘興業街 20 號
聯合興業工業大廈 5 樓 A26 室



[11] 2524892.7M023

[15] 20-01-2025

[51] Cl. 11-01

[54] 珠寶飾品

Jewellery ornament

[73] 周大福珠寶金行(深圳)有限公司

CHOW TAI FOOK JEWELLERY (SHENZHEN) CO., LTD.

中國

广东省深圳市盐田区深盐路

黄金珠宝大厦 12 楼 A 座

[74] 中一聯合國際知識產權有限公司

香港

九龍觀塘興業街 20 號

聯合興業工業大廈 5 樓 A26 室



[11] 2524892.7M024

[15] 20-01-2025

[51] Cl. 11-01

[54] 珠寶飾品

Jewellery ornament

[73] 周大福珠宝金行(深圳)有限公司

CHOW TAI FOOK JEWELLERY (SHENZHEN) CO., LTD.

中國

广东省深圳市盐田区深盐路

黄金珠宝大厦 12 楼 A 座

[74] 中一聯合國際知識產權有限公司

香港

九龍觀塘興業街 20 號

聯合興業工業大廈 5 樓 A26 室



[11] 2524892.7M025

[15] 20-01-2025

[51] Cl. 11-01

[54] 珠寶飾品

Jewellery ornament

[73] 周大福珠宝金行(深圳)有限公司

CHOW TAI FOOK JEWELLERY (SHENZHEN) CO., LTD.

中國

广东省深圳市盐田区深盐路

黄金珠宝大厦 12 楼 A 座

[74] 中一聯合國際知識產權有限公司

香港

九龍觀塘興業街 20 號

聯合興業工業大廈 5 樓 A26 室



[11] 2524892.7M026

[15] 20-01-2025

[51] Cl. 11-01

[54] 珠寶飾品
Jewellery ornament

[73] 周大福珠宝金行(深圳)有限公司
CHOW TAI FOOK JEWELLERY (SHENZHEN) CO., LTD.
中國
广东省深圳市盐田区深盐路
黄金珠宝大厦 12 楼 A 座

[74] 中一聯合國際知識產權有限公司
香港
九龍觀塘興業街 20 號
聯合興業工業大廈 5 樓 A26 室



[11] 2524892.7M027

[15] 20-01-2025

[51] Cl. 11-01

[54] 珠寶飾品

Jewellery ornament

[73] 周大福珠宝金行(深圳)有限公司

CHOW TAI FOOK JEWELLERY (SHENZHEN) CO., LTD.

中國

广东省深圳市盐田区深盐路

黄金珠宝大厦 12 楼 A 座

[74] 中一聯合國際知識產權有限公司

香港

九龍觀塘興業街 20 號

聯合興業工業大廈 5 樓 A26 室



[11] 2524892.7M028

[15] 20-01-2025

[51] Cl. 11-01

[54] 珠寶飾品

Jewellery ornament

[73] 周大福珠宝金行(深圳)有限公司

CHOW TAI FOOK JEWELLERY (SHENZHEN) CO., LTD.

中國

广东省深圳市盐田区深盐路

黄金珠宝大厦 12 楼 A 座

[74] 中一聯合國際知識產權有限公司

香港

九龍觀塘興業街 20 號

聯合興業工業大廈 5 樓 A26 室



[11] 2524892.7M029

[15] 20-01-2025

[51] Cl. 11-01

[54] 珠寶飾品

Jewellery ornament

[73] 周大福珠宝金行(深圳)有限公司

CHOW TAI FOOK JEWELLERY (SHENZHEN) CO., LTD.

中國

广东省深圳市盐田区深盐路

黄金珠宝大厦 12 楼 A 座

[74] 中一聯合國際知識產權有限公司

香港

九龍觀塘興業街 20 號

聯合興業工業大廈 5 樓 A26 室



[11] 2524892.7M030

[15] 20-01-2025

[51] Cl. 11-01

[54] 珠寶飾品

Jewellery ornament

[73] 周大福珠宝金行(深圳)有限公司

CHOW TAI FOOK JEWELLERY (SHENZHEN) CO., LTD.

中國

广东省深圳市盐田区深盐路

黄金珠宝大厦 12 楼 A 座

[74] 中一聯合國際知識產權有限公司

香港

九龍觀塘興業街 20 號

聯合興業工業大廈 5 樓 A26 室



[11] 2524892.7M031

[15] 20-01-2025

[51] Cl. 11-01

[54] 珠寶飾品

Jewellery ornament

[73] 周大福珠宝金行(深圳)有限公司

CHOW TAI FOOK JEWELLERY (SHENZHEN) CO., LTD.

中國

广东省深圳市盐田区深盐路

黄金珠宝大厦 12 楼 A 座

[74] 中一聯合國際知識產權有限公司

香港

九龍觀塘興業街 20 號
聯合興業工業大廈 5 樓 A26 室



[11] 2524892.7M032

[15] 20-01-2025

[51] Cl. 11-01

[54] 珠寶飾品

Jewellery ornament

[73] 周大福珠寶金行(深圳)有限公司

CHOW TAI FOOK JEWELLERY (SHENZHEN) CO., LTD.

中國

广东省深圳市盐田区深盐路

黄金珠宝大厦 12 楼 A 座

[74] 中一聯合國際知識產權有限公司

香港

九龍觀塘興業街 20 號

聯合興業工業大廈 5 樓 A26 室



[11] 2524892.7M033

[15] 20-01-2025

[51] Cl. 11-01

[54] 珠寶飾品

Jewellery ornament

[73] 周大福珠宝金行(深圳)有限公司
CHOW TAI FOOK JEWELLERY (SHENZHEN) CO., LTD.
中國
广东省深圳市盐田区深盐路
黄金珠宝大厦 12 楼 A 座

[74] 中一聯合國際知識產權有限公司
香港
九龍觀塘興業街 20 號
聯合興業工業大廈 5 樓 A26 室



[11] 2524892.7M034

[15] 20-01-2025

[51] Cl. 11-01

[54] 珠寶飾品
Jewellery ornament

[73] 周大福珠宝金行(深圳)有限公司
CHOW TAI FOOK JEWELLERY (SHENZHEN) CO., LTD.
中國
广东省深圳市盐田区深盐路
黄金珠宝大厦 12 楼 A 座

[74] 中一聯合國際知識產權有限公司
香港
九龍觀塘興業街 20 號
聯合興業工業大廈 5 樓 A26 室



[11] 2524892.7M035

[15] 20-01-2025

[51] C1. 11-01

[54] 珠寶飾品
Jewellery ornament

[73] 周大福珠寶金行(深圳)有限公司
CHOW TAI FOOK JEWELLERY (SHENZHEN) CO., LTD.
中國
廣東省深圳市鹽田區深鹽路
黃金珠寶大廈 12 樓 A 座

[74] 中一聯合國際知識產權有限公司
香港
九龍觀塘興業街 20 號
聯合興業工業大廈 5 樓 A26 室



[11] 2524892.7M036

[15] 20-01-2025

[51] Cl. 11-01

[54] 珠寶飾品

Jewellery ornament

[73] 周大福珠宝金行(深圳)有限公司

CHOW TAI FOOK JEWELLERY (SHENZHEN) CO., LTD.

中國

广东省深圳市盐田区深盐路

黄金珠宝大厦 12 楼 A 座

[74] 中一聯合國際知識產權有限公司

香港

九龍觀塘興業街 20 號

聯合興業工業大廈 5 樓 A26 室



[11] 2524892.7M037

[15] 20-01-2025

[51] Cl. 11-01

[54] 珠寶飾品

Jewellery ornament

[73] 周大福珠宝金行(深圳)有限公司

CHOW TAI FOOK JEWELLERY (SHENZHEN) CO., LTD.

中國

广东省深圳市盐田区深盐路

黄金珠宝大厦 12 楼 A 座

[74] 中一聯合國際知識產權有限公司

香港

九龍觀塘興業街 20 號

聯合興業工業大廈 5 樓 A26 室



[11] 2524892.7M038

[15] 20-01-2025

[51] Cl. 11-01

[54] 珠寶飾品

Jewellery ornament

[73] 周大福珠寶金行(深圳)有限公司

CHOW TAI FOOK JEWELLERY (SHENZHEN) CO., LTD.

中國

廣東省深圳市鹽田區深鹽路

黃金珠寶大廈12樓A座

[74] 中一聯合國際知識產權有限公司

香港

九龍觀塘興業街20號

聯合興業工業大廈5樓A26室





香港特別行政區政府知識產權署外觀設計註冊處

The Government of the Hong Kong Special Administrative Region

Designs Registry, Intellectual Property Department

根據註冊外觀設計條例第 28 條，下列註冊外觀設計因未繳續期費而停止有效。

各組記項按註冊外觀設計停止有效日期及註冊編號先後次序排列。

Registered designs ceased through non-payment of renewal fees under section 28 of the Registered Designs Ordinance. Entries are listed below under their expiry dates.

04-02-2025 - 12-02-2025

04-02-2025		1500439.7M001
2015530.5	09-02-2025	1500439.7M002
2015532.9M001	1500345.8	1500457.5M001
2015532.9M002	1500346.0	1500457.5M002
2015532.9M003	2015555.8M001	1500457.5M003
2015533.1	2015555.8M002	1500457.5M004
2015535.6	2015555.8M003	1500457.5M005
	2015555.8M004	2015585.1M002
05-02-2025	2015556.0	2015585.1M003
1500322.9		
1500323.1	10-02-2025	
1500332.0	1000286.7	
1500333.2	1500383.7M001	
1500334.4	1500383.7M002	
1500335.7	1500383.7M003	
1500336.9	1500383.7M004	
2015537.0	2015559.6	
2015538.2	2015561.0M001	
2015539.4	2015561.0M002	
2015540.6		
2015541.8	11-02-2025	
2015542.0M001	1000295.6	
2015542.0M002	1500425.8	
	1500427.2	
06-02-2025	1500430.8	
0500279.5M001	2015571.1	
2015548.3M001	2015572.3	
2015548.3M002	2015573.5	
2015549.5	2015577.4	
2015551.9	2015578.6	
	2015579.8	
08-02-2025	2015582.4	
1000261.4		
1500342.1M002	12-02-2025	



香港特別行政區政府知識產權署外觀設計註冊處

The Government of the Hong Kong Special Administrative Region

Designs Registry, Intellectual Property Department

根據註冊外觀設計規則第 31 條刪除的註冊外觀設計。各組記項按註冊外觀設計刪除日期及註冊編號先後次序排列。

Registered designs removed under section 31 of the Registered Designs Rules. Entries are listed below under their removal dates.

12-02-2025 - 20-02-2025

12-02-2025

0901250.9

1401432.2

1914378.7

1401459.9

1401461.3M002

1401461.3M003

1401461.3M004

1914400.5M001

1914400.5M002

13-02-2025

1401436.1

1401438.5M001

1401439.7M002

1401442.3

1914384.9M001

1914384.9M002

1914386.4

1914400.5M003

1914401.7M001

1914401.7M002

1914401.7M003

1914405.6

1914408.2

1914412.0M001

1914412.0M002

1914413.2

14-02-2025

1401446.2M001

1401446.2M002

1401446.2M003

1401446.2M004

1401450.0

1401451.2

1401452.4

1401454.8M001

1401454.8M002

1914391.4M001

1914391.4M002

1914391.4M003

1914392.6M001

1914392.6M002

1914392.6M003

1914399.1M001

1914399.1M002

1914414.4

1914415.7

1914420.7M001

1914420.7M002

1914420.7M003

1914420.7M004

1914421.9

16-02-2025

0411769.7

0412133.9

1914423.3M001

1914423.3M002

1914423.3M003

1914425.8M001

1914425.8M002

1914425.8M003

1914426.0

15-02-2025

1914437.3

18-02-2025

0411784.8M001

1401474.0

1401475.3M001

1401475.3M005

19-02-2025

0411793.7

0411794.9

0411795.2

0411796.4

1401482.7M001

1401482.7M002

1401482.7M003

1401488.0

1401489.2

1914439.7M001

1914439.7M002

1914439.7M003

1914441.1M001

1914441.1M002

1914441.1M003

1914442.3

1914443.5

1914444.7

1914450.0

20-02-2025

0411801.6

1401502.2

1914453.6M001

1914453.6M002

1914455.1



香港特別行政區政府知識產權署外觀設計註冊處

The Government of the Hong Kong Special Administrative Region

Designs Registry, Intellectual Property Department

根據註冊外觀設計條例第 30 條放棄的外觀設計的註冊

Surrender of registration of design under section 30 of the Registered Designs Ordinance

[11] 2015574.7

[73] Europharm Laboratoires (Hong Kong) Company Limited