

香港知識產權公報

Hong Kong Intellectual Property Journal

2024年6月7日

07 June 2024



目錄 Contents

根據註冊外觀設計條例第 25 條註冊的外觀設計

Designs Registered under section 25 of the Registered Designs Ordinance

按註冊編號排列

Arranged by Registration Number

根據註冊外觀設計條例(第 522 章)公布的其他公告

Other Notices Published under the Registered Designs Ordinance (Cap. 522)

根據註冊外觀設計條例第 28 條，註冊外觀設計因未繳續期費而停止有效

Registered designs ceased through non-payment of renewal fees under section 28 of the Registered Designs Ordinance

根據註冊外觀設計規則第 31 條刪除的註冊外觀設計

Registered designs removed under section 31 of the Registered Designs Rules

以下事項沒有記錄

No Records for the Following Matters

根據註冊外觀設計條例第 30 條放棄的外觀設計的註冊

Surrender of Registration of Design under section 30 of the Registered Designs Ordinance

根據註冊外觀設計規則第 37 條，向處長作出轉介

Reference to Registrar under section 37 of the Registered Designs Rules

根據註冊外觀設計條例第 45 條，撤銷註冊

Revocation of Registration under section 45 of the Registered Designs Ordinance

根據註冊外觀設計規則第 46 條，向法院作出轉介

Reference to Court under section 46 of the Registered Designs Rules

根據註冊外觀設計規則第 63 條對不符合規定之處作出糾正

Rectification of Irregularities under section 63 of the Registered Designs Rules

根據註冊外觀設計條例第 66 條，糾正註冊紀錄冊

Rectification of Register under section 66 of the Registered Designs Ordinance

根據註冊外觀設計條例第 67 條 更正註冊紀錄冊內的錯誤

Correction of errors in Register under section 67 of the Registered Designs Ordinance

根據註冊外觀設計條例第 67 及 76 條，更正註冊紀錄冊內及已提交文件中的錯誤

Correction of Errors in Register and in Filed Documents under sections 67 and 76 of the Registered Designs Ordinance

根據註冊外觀設計條例第 76 條，更正已提交文件中的錯誤

Correction of errors in filed documents under section 76 of the Registered Designs Ordinance

勘誤

Corrigendum

註冊外觀設計公告註釋

Notes on advertisements of registration of designs

方括號表示下列資料：

Square brackets indicate the following data：

[11] 註冊編號 Registration number / 聯合王國註冊編號 United Kingdom registration number

[15] 註冊日期 Registration date / 當作註冊日期 Deemed registration date / 聯合王國註冊日期 United Kingdom registration date

[17] 註冊有效期屆滿日期 Expiry date of the period of registration

[22] 提交日期 Filing date / 當作提交日期 Deemed filing date / 聯合王國提交日期 United Kingdom filing date

[30] 聲稱享有的優先權（提交日期 / 巴黎公約國或世界貿易組織成員 / 申請編號） Priority claimed (filing date / Paris Convention country or WTO member / application number)

[51] 國際外觀設計分類號（洛迦諾分類號） International Classification of designs (Locarno Classification)

[54] 物品 Article

[55] 外觀設計的表述 Representation of the design

[62] 分開前的申請編號及提交日期 Application number before division and filing date

[66] 過往註冊的聯繫外觀設計註冊編號 / 日期 Registration No. / Date of Previous Registration for Association

[72] 設計人 Designer

[73] 擁有人姓名和地址 Name and address of the owner

[74] 代理人 Agent /送達地址 Address for service



香港特別行政區政府知識產權署外觀設計註冊處
The Government of the Hong Kong Special Administrative Region
Designs Registry, Intellectual Property Department

根據註冊外觀設計條例第 25 條註冊的外觀設計

Designs registered under section 25 of the Registered Designs Ordinance

按註冊編號排列

Arranged by Registration Number

[11] 2422764.3M001

[15] 30-01-2024

[30] 11-08-2023 / CN / 2023305149493

[51] Cl. 15-05

[54] 衣物處理裝置之防燙罩

Scald preventing cover of clothes treating apparatus

[73] 北京石頭世紀科技股份有限公司

Beijing Roborock Technology Co., Ltd.

中國北京市

昌平區安居路

17 號院 3 號樓 10 層 1001

[74] 隆天專利商標代理有限公司

香港九龍長沙灣

光昌街 3 號

鴻昌工廠大廈 4 樓 B403 室



[11] 2422764.3M002

[15] 30-01-2024

[30] 11-08-2023 / CN / 2023305149493

[51] Cl. 15-05

[54] 衣物處理裝置之防燙罩

Scald preventing cover of clothes treating apparatus

[73] 北京石頭世紀科技股份有限公司

Beijing Roborock Technology Co., Ltd.

中國北京市

昌平區安居路

17 號院 3 號樓 10 層 1001

[74] 隆天專利商標代理有限公司

香港九龍長沙灣

光昌街 3 號

鴻昌工廠大廈 4 樓 B403 室



[11] 2422764.3M003

[15] 30-01-2024

[30] 11-08-2023 / CN / 2023305149493

[51] Cl. 15-05

[54] 衣物處理裝置之防燙罩

Scald preventing cover of clothes treating apparatus

[73] 北京石頭世紀科技股份有限公司

Beijing Roborock Technology Co., Ltd.

中國北京市

昌平區安居路

17 號院 3 號樓 10 層 1001

[74] 隆天專利商標代理有限公司

香港九龍長沙灣

光昌街 3 號

鴻昌工廠大廈 4 樓 B403 室



[11] 2422764.3M004

[15] 30-01-2024

[30] 11-08-2023 / CN / 2023305149493

[51] C1. 15-05

[54] 衣物處理裝置之防燙罩

Scald preventing cover of clothes treating apparatus

[73] 北京石頭世紀科技股份有限公司

Beijing Roborock Technology Co., Ltd.

中國北京市

昌平區安居路

17 號院 3 號樓 10 層 1001

[74] 隆天專利商標代理有限公司

香港九龍長沙灣

光昌街 3 號

鴻昌工廠大廈 4 樓 B403 室



[11] 2422764.3M005

[15] 30-01-2024

[30] 11-08-2023 / CN / 2023305149493

[51] Cl. 15-05

[54] 衣物處理裝置之防燙罩

Scald preventing cover of clothes treating apparatus

[73] 北京石頭世紀科技股份有限公司

Beijing Roborock Technology Co., Ltd.

中國北京市

昌平區安居路

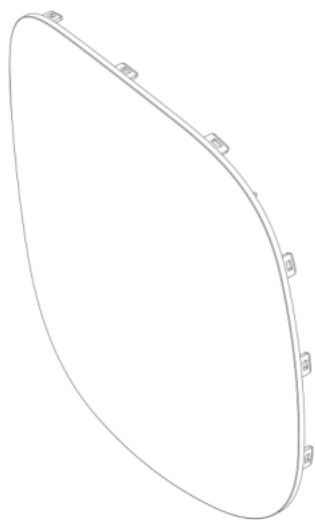
17 號院 3 號樓 10 層 1001

[74] 隆天專利商標代理有限公司

香港九龍長沙灣

光昌街 3 號

鴻昌工廠大廈 4 樓 B403 室



[11] 2422769.4M001

[15] 31-01-2024

[30] 26-10-2023 / JP / 022354 of 2023

[51] Cl. 22-06

[54] 除蟲芳香劑載體

Aromatic support for insect repellent

[73] 大日本除蟲菊株式會社

DAINIHON JOCHUGIKU CO., LTD.

4-11, Tosabori 1-chome, Nishi-ku,

Osaka-shi, Osaka-fu,

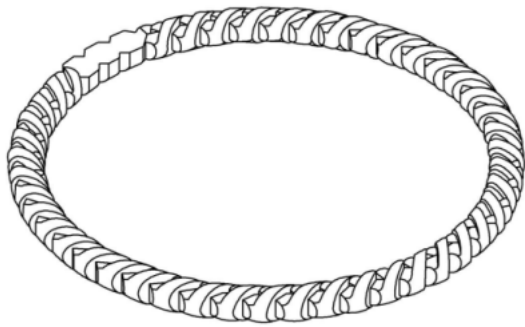
Japan

[74] BENNY KONG & TSAI

Unit 19B, Overseas Trust Bank Building,

No. 160 Gloucester Road,

Wanchai, Hong Kong



[11] 2422769.4M002

[15] 31-01-2024

[30] 26-10-2023 / JP / 022355 of 2023

[51] Cl. 22-06

[54] 除蟲芳香劑載體

Aromatic support for insect repellent

[73] 大日本除蟲菊株式會社

DAINIHON JOCHUGIKU CO., LTD.

4-11, Tosabori 1-chome, Nishi-ku,

Osaka-shi, Osaka-fu,

Japan

[74] BENNY KONG & TSAI

Unit 19B, Overseas Trust Bank Building,

No. 160 Gloucester Road,

Wanchai, Hong Kong



-
- [11] 2422777.1
 - [15] 01-02-2024
 - [30] 02-08-2023 / JP / 015878 of 2023
 - [51] Cl. 14-02
 - [54] 集成電路標籤
Integrated circuit (IC) tag
 - [73] MEET CO., LTD.
4F Basement Factory Bldg., 1-50-13, Tsurumaki,
Setagaya-ku, 154-0016 Tokyo,
Japan
 - [74] HKIPA LIMITED
Unit 230, 2/F, Building 12W,
No. 12 Science Park West Avenue,
Phase 3, Hong Kong Science Park,
Pak Shek Kok, New Territories, Hong Kong



-
- [11] 2422778.3M001
 - [15] 02-02-2024
 - [30] 04-08-2023 / GB / 6301413
 - [51] Cl. 28-06

[54] 吹風機

Hair dryer

[73] Dyson Operations Pte. Ltd.

3 Sentosa Gateway,

Singapore 098544,

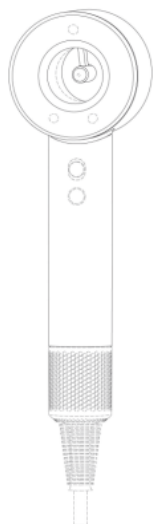
Singapore

[74] LIU, SHEN & ASSOCIATES

Room 3716, 37/F, Sun Hung Kai Centre,

30 Harbour Road,

Wanchai, Hong Kong



[11] 2422778.3M002

[15] 02-02-2024

[30] 04-08-2023 / GB / 6301414

[51] Cl. 28-06

[54] 吹風機

Hair dryer

[73] Dyson Operations Pte. Ltd.

3 Sentosa Gateway,

Singapore 098544,

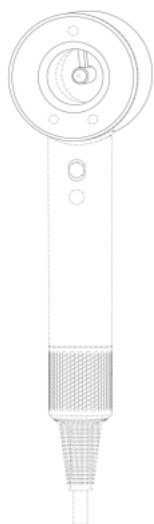
Singapore

[74] LIU, SHEN & ASSOCIATES

Room 3716, 37/F, Sun Hung Kai Centre,

30 Harbour Road,

Wanchai, Hong Kong



[11] 2422778.3M003

[15] 02-02-2024

[30] 04-08-2023 / GB / 6301425

[51] Cl. 28-06

[54] 頭髮造型和頭髮護理裝置 (的附件)

Hair styling and hair care apparatus (accessories for-)

[73] Dyson Operations Pte. Ltd.

3 Sentosa Gateway,

Singapore 098544,

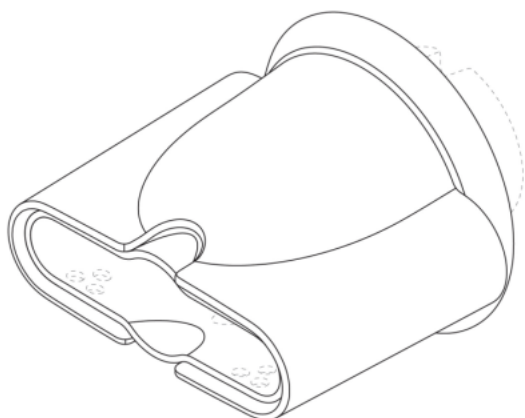
Singapore

[74] LIU, SHEN & ASSOCIATES

Room 3716, 37/F, Sun Hung Kai Centre,

30 Harbour Road,

Wanchai, Hong Kong



[11] 2422778.3M004

[15] 02-02-2024

[30] 04-08-2023 / GB / 6301426

[51] Cl. 28-06

[54] 頭髮造型和頭髮護理裝置(的附件)

Hair styling and hair care apparatus (accessories for-)

[73] Dyson Operations Pte. Ltd.

3 Sentosa Gateway,

Singapore 098544,

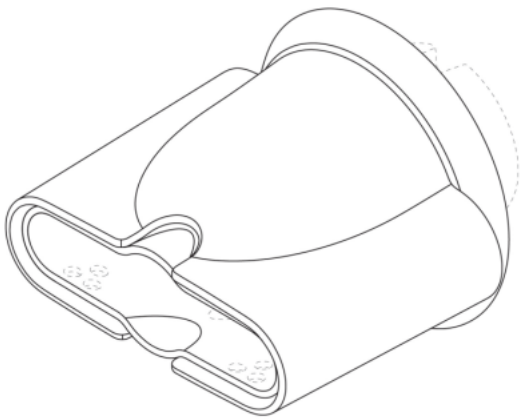
Singapore

[74] LIU, SHEN & ASSOCIATES

Room 3716, 37/F, Sun Hung Kai Centre,

30 Harbour Road,

Wanchai, Hong Kong



[11] 2422778.3M005

[15] 02-02-2024

[30] 04-08-2023 / GB / 6301428

[51] Cl. 28-06

[54] 頭髮造型和頭髮護理裝置(的附件)

Hair styling and hair care apparatus (accessories for-)

[73] Dyson Operations Pte. Ltd.

3 Sentosa Gateway,

Singapore 098544,

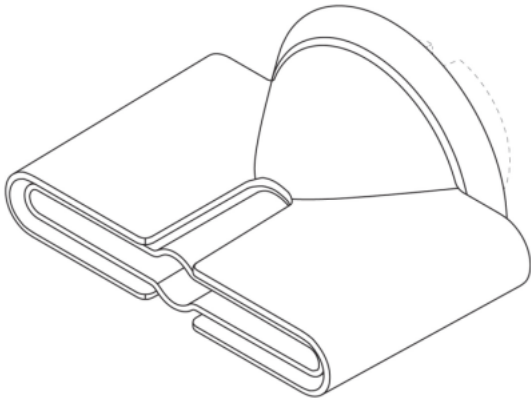
Singapore

[74] LIU, SHEN & ASSOCIATES

Room 3716, 37/F, Sun Hung Kai Centre,

30 Harbour Road,

Wanchai, Hong Kong



[11] 2422778.3M006

[15] 02-02-2024

[30] 04-08-2023 / GB / 6301429

[51] Cl. 28-06

[54] 頭髮造型和頭髮護理裝置(的附件)

Hair styling and hair care apparatus (accessories for-)

[73] Dyson Operations Pte. Ltd.

3 Sentosa Gateway,

Singapore 098544,

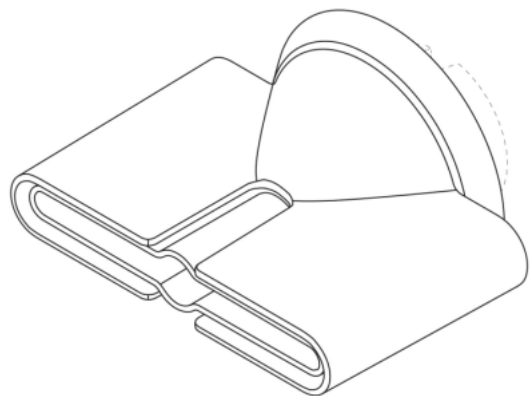
Singapore

[74] LIU, SHEN & ASSOCIATES

Room 3716, 37/F, Sun Hung Kai Centre,

30 Harbour Road,

Wanchai, Hong Kong



[11] 2422778.3M007

[15] 02-02-2024

[30] 04-08-2023 / GB / 6301427

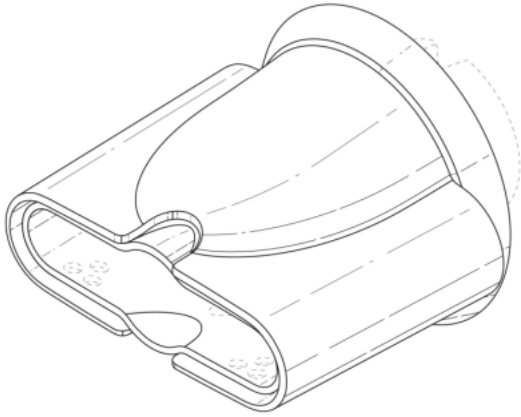
[51] Cl. 28-06

[54] 頭髮造型和頭髮護理裝置(的附件)

Hair styling and hair care apparatus (accessories for-)

[73] Dyson Operations Pte. Ltd.
3 Sentosa Gateway,
Singapore 098544,
Singapore

[74] LIU, SHEN & ASSOCIATES
Room 3716, 37/F, Sun Hung Kai Centre,
30 Harbour Road,
Wanchai, Hong Kong



[11] 2422778.3M008

[15] 02-02-2024

[30] 04-08-2023 / GB / 6301430

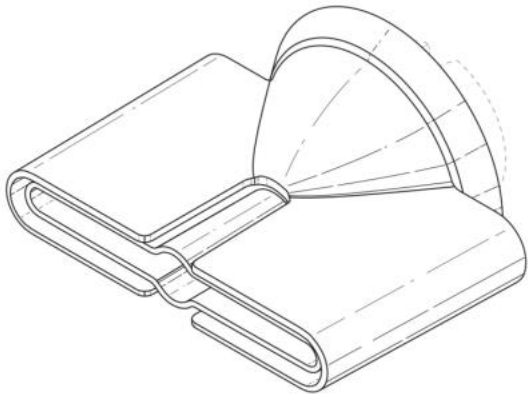
[51] Cl. 28-06

[54] 頭髮造型和頭髮護理裝置(的附件)

Hair styling and hair care apparatus (accessories for-)

[73] Dyson Operations Pte. Ltd.
3 Sentosa Gateway,
Singapore 098544,
Singapore

[74] LIU, SHEN & ASSOCIATES
Room 3716, 37/F, Sun Hung Kai Centre,
30 Harbour Road,
Wanchai, Hong Kong



[11] 2422783.3M001

[15] 02-02-2024

[30] 16-08-2023 / US / 29/910,146

[51] Cl. 9-07

[54] 容器蓋

Container lid

[73] Merrilee Kick

2114 McDaniel Drive,

Carrollton, TX 75006,

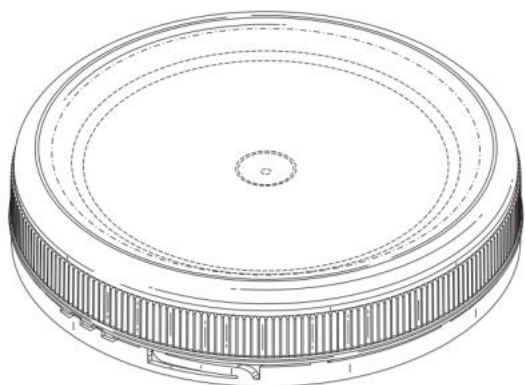
United States of America

[74] LIU, SHEN & ASSOCIATES

Room 3716, 37/F, Sun Hung Kai Centre,

30 Harbour Road,

Wanchai, Hong Kong



[11] 2422783.3M002

[15] 02-02-2024

[30] 16-08-2023 / US / 29/910,146

[51] Cl. 9-07

[54] 容器蓋

Container lid

[73] Merrilee Kick

2114 McDaniel Drive,

Carrollton, TX 75006,

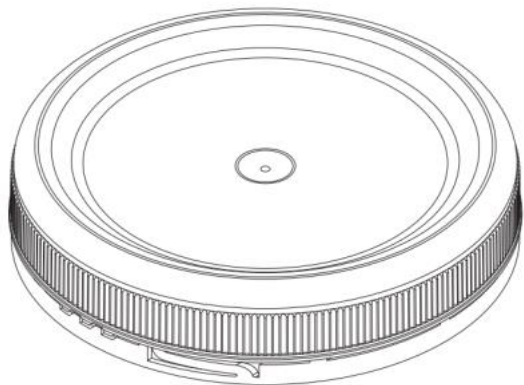
United States of America

[74] LIU, SHEN & ASSOCIATES

Room 3716, 37/F, Sun Hung Kai Centre,

30 Harbour Road,

Wanchai, Hong Kong



[11] 2422796.1M001

[15] 07-02-2024

[30] 11-08-2023 / US / 29/909,836

[51] Cl. 4-02

[54] 個人護理裝置

Personal care implement

[73] Colgate-Palmolive Company

300 Park Avenue,

New York, New York 10022,

United States of America

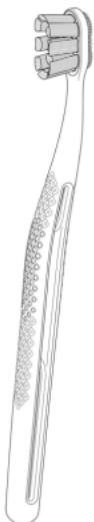
[74] UNITALEN ATTORNEYS AT LAW LIMITED

Unit No.1211, Level 12, Tower 1,

Grand Century Place,

193 Prince Edward Road West,

Mongkok, Kowloon, Hong Kong



[11] 2422796.1M002

[15] 07-02-2024

[30] 11-08-2023 / US / 29/909,836

[51] Cl. 4-02

[54] 個人護理裝置

Personal care implement

[73] Colgate-Palmolive Company

300 Park Avenue,

New York, New York 10022,

United States of America

[74] UNITALEN ATTORNEYS AT LAW LIMITED

Unit No.1211, Level 12, Tower 1,

Grand Century Place,

193 Prince Edward Road West,

Mongkok, Kowloon, Hong Kong



[11] 2422796.1M003

[15] 07-02-2024

[30] 11-08-2023 / US / 29/909,836

[51] Cl. 4-02

[54] 個人護理裝置

Personal care implement

[73] Colgate-Palmolive Company

300 Park Avenue,

New York, New York 10022,

United States of America

[74] UNITALEN ATTORNEYS AT LAW LIMITED

Unit No.1211, Level 12, Tower 1,

Grand Century Place,

193 Prince Edward Road West,

Mongkok, Kowloon, Hong Kong



[11] 2422796.1M004

[15] 07-02-2024

[30] 11-08-2023 / US / 29/909,836

[51] Cl. 4-02

[54] 個人護理裝置

Personal care implement

[73] Colgate-Palmolive Company

300 Park Avenue,

New York, New York 10022,

United States of America

[74] UNITALEN ATTORNEYS AT LAW LIMITED

Unit No.1211, Level 12, Tower 1,

Grand Century Place,

193 Prince Edward Road West,

Mongkok, Kowloon, Hong Kong



[11] 2422797.3M001

[15] 07-02-2024

[30] 08-08-2023 / US / 29/909,617

[51] Cl. 24-02

[54] 手持式藥物遞送裝置

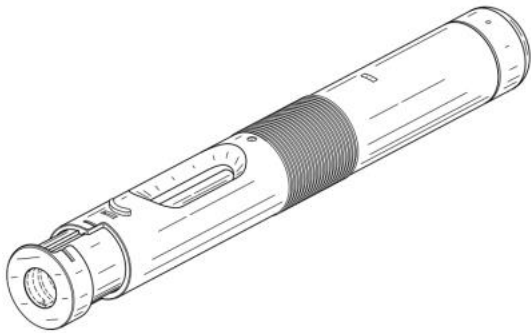
Handheld drug delivery device

[73] Amgen Inc.

One Amgen Center Drive,
Thousand Oaks, California 91320-1799,
United States of America

[74] CHINA PATENT AGENT (HONG KONG) LIMITED

22/F, Great Eagle Centre,
23 Harbour Road,
Wanchai, Hong Kong



[11] 2422797.3M002

[15] 07-02-2024

[30] 08-08-2023 / US / 29/909,617

[51] Cl. 24-02

[54] 手持式藥物遞送裝置

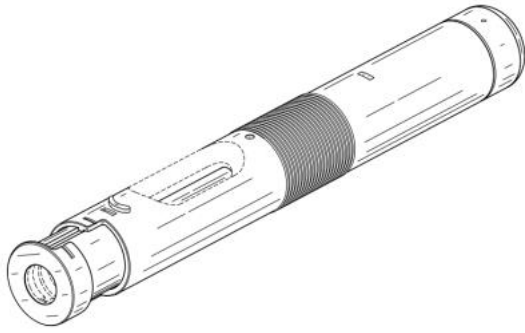
Handheld drug delivery device

[73] Amgen Inc.

One Amgen Center Drive,
Thousand Oaks, California 91320-1799,
United States of America

[74] CHINA PATENT AGENT (HONG KONG) LIMITED

22/F, Great Eagle Centre,
23 Harbour Road,
Wanchai, Hong Kong



[11] 2422797.3M003

[15] 07-02-2024

[30] 08-08-2023 / US / 29/909,617

[51] Cl. 24-02

[54] 手持式藥物遞送裝置

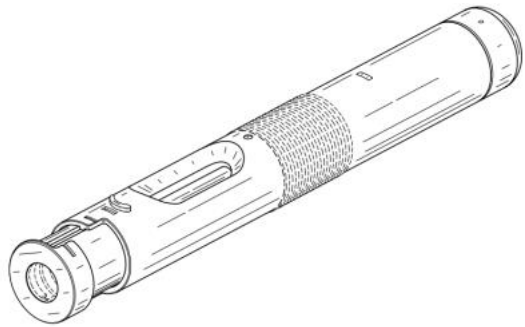
Handheld drug delivery device

[73] Amgen Inc.

One Amgen Center Drive,
Thousand Oaks, California 91320-1799,
United States of America

[74] CHINA PATENT AGENT (HONG KONG) LIMITED

22/F, Great Eagle Centre,
23 Harbour Road,
Wanchai, Hong Kong



[11] 2422797.3M004

[15] 07-02-2024

[30] 08-08-2023 / US / 29/909,617

[51] Cl. 24-02

[54] 手持式藥物遞送裝置

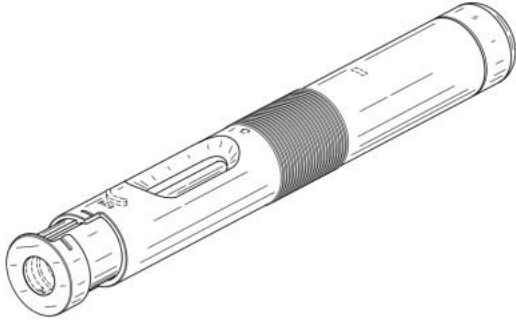
Handheld drug delivery device

[73] Amgen Inc.

One Amgen Center Drive,

Thousand Oaks, California 91320-1799,
United States of America

[74] CHINA PATENT AGENT (HONG KONG) LIMITED
22/F, Great Eagle Centre,
23 Harbour Road,
Wanchai, Hong Kong



[11] 2422797.3M005

[15] 07-02-2024

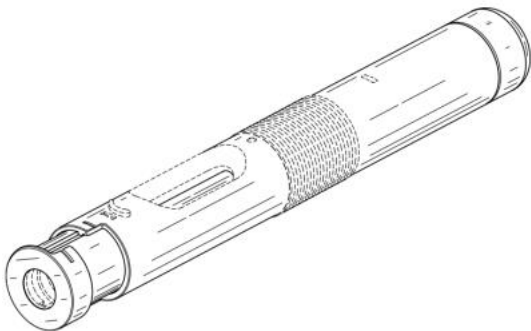
[30] 08-08-2023 / US / 29/909,617

[51] Cl. 24-02

[54] 手持式藥物遞送裝置
Handheld drug delivery device

[73] Amgen Inc.
One Amgen Center Drive,
Thousand Oaks, California 91320-1799,
United States of America

[74] CHINA PATENT AGENT (HONG KONG) LIMITED
22/F, Great Eagle Centre,
23 Harbour Road,
Wanchai, Hong Kong



[11] 2422797.3M006

[15] 07-02-2024

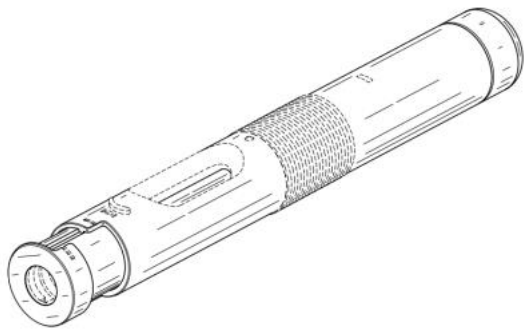
[30] 08-08-2023 / US / 29/909,617

[51] Cl. 24-02

[54] 手持式藥物遞送裝置
Handheld drug delivery device

[73] Amgen Inc.
One Amgen Center Drive,
Thousand Oaks, California 91320-1799,
United States of America

[74] CHINA PATENT AGENT (HONG KONG) LIMITED
22/F, Great Eagle Centre,
23 Harbour Road,
Wanchai, Hong Kong



[11] 2422798.5M001

[15] 07-02-2024

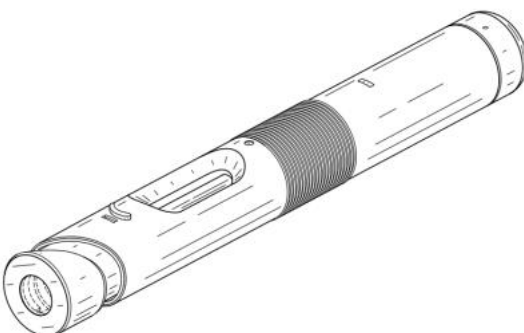
[30] 08-08-2023 / US / 29/909,619

[51] Cl. 24-02

[54] 手持式藥物遞送裝置
Handheld drug delivery device

[73] Amgen Inc.
One Amgen Center Drive,
Thousand Oaks, California 91320-1799,
United States of America

[74] CHINA PATENT AGENT (HONG KONG) LIMITED
22/F, Great Eagle Centre,
23 Harbour Road,
Wanchai, Hong Kong



[11] 2422798.5M002

[15] 07-02-2024

[30] 08-08-2023 / US / 29/909,619

[51] Cl. 24-02

[54] 手持式藥物遞送裝置

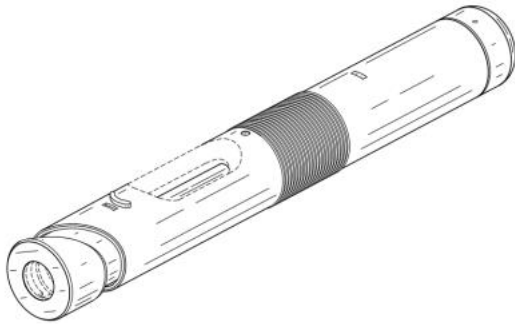
Handheld drug delivery device

[73] Amgen Inc.

One Amgen Center Drive,
Thousand Oaks, California 91320-1799,
United States of America

[74] CHINA PATENT AGENT (HONG KONG) LIMITED

22/F, Great Eagle Centre,
23 Harbour Road,
Wanchai, Hong Kong



[11] 2422798.5M003

[15] 07-02-2024

[30] 08-08-2023 / US / 29/909,619

[51] Cl. 24-02

[54] 手持式藥物遞送裝置

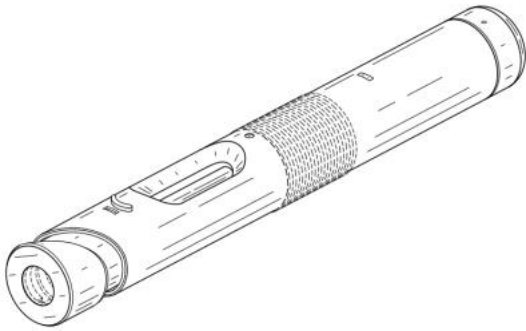
Handheld drug delivery device

[73] Amgen Inc.

One Amgen Center Drive,
Thousand Oaks, California 91320-1799,
United States of America

[74] CHINA PATENT AGENT (HONG KONG) LIMITED

22/F, Great Eagle Centre,
23 Harbour Road,
Wanchai, Hong Kong



[11] 2422798.5M004

[15] 07-02-2024

[30] 08-08-2023 / US / 29/909,619

[51] Cl. 24-02

[54] 手持式藥物遞送裝置

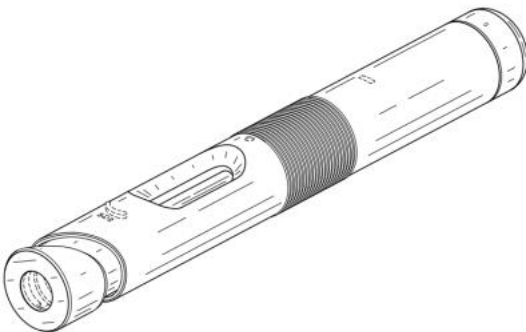
Handheld drug delivery device

[73] Amgen Inc.

One Amgen Center Drive,
Thousand Oaks, California 91320-1799,
United States of America

[74] CHINA PATENT AGENT (HONG KONG) LIMITED

22/F, Great Eagle Centre,
23 Harbour Road,
Wanchai, Hong Kong



[11] 2422798.5M005

[15] 07-02-2024

[30] 08-08-2023 / US / 29/909,619

[51] Cl. 24-02

[54] 手持式藥物遞送裝置

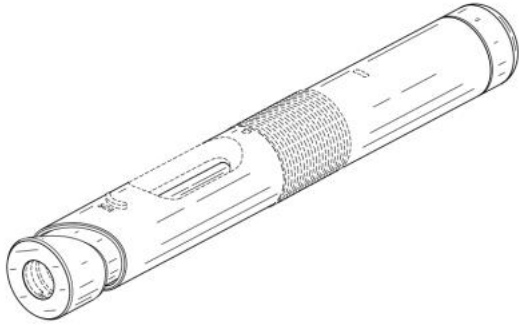
Handheld drug delivery device

[73] Amgen Inc.

One Amgen Center Drive,

Thousand Oaks, California 91320-1799,
United States of America

[74] CHINA PATENT AGENT (HONG KONG) LIMITED
22/F, Great Eagle Centre,
23 Harbour Road,
Wanchai, Hong Kong



[11] 2422800.1M001

[15] 07-02-2024

[30] 08-08-2023 / US / 29/909,618

[51] Cl. 24-02

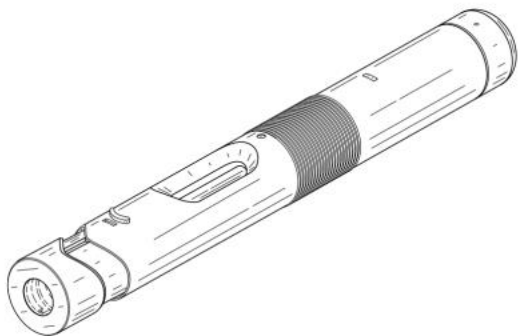
[54] 手持式藥物遞送裝置

Handheld drug delivery device

[73] AMGEN INC.

One Amgen Center Drive,
Thousand Oaks, CA 91320-1799,
United States of America

[74] CHINA PATENT AGENT (HONG KONG) LIMITED
22/F, Great Eagle Centre,
23 Harbour Road,
Wanchai, Hong Kong



[11] 2422800.1M002

[15] 07-02-2024

[30] 08-08-2023 / US / 29/909,618

[51] Cl. 24-02

[54] 手持式藥物遞送裝置

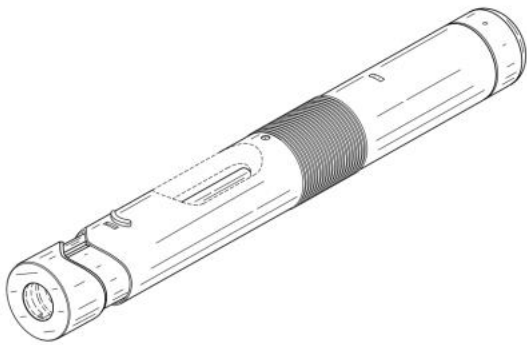
Handheld drug delivery device

[73] AMGEN INC.

One Amgen Center Drive,
Thousand Oaks, CA 91320-1799,
United States of America

[74] CHINA PATENT AGENT (HONG KONG) LIMITED

22/F, Great Eagle Centre,
23 Harbour Road,
Wanchai, Hong Kong



[11] 2422800.1M003

[15] 07-02-2024

[30] 08-08-2023 / US / 29/909,618

[51] Cl. 24-02

[54] 手持式藥物遞送裝置

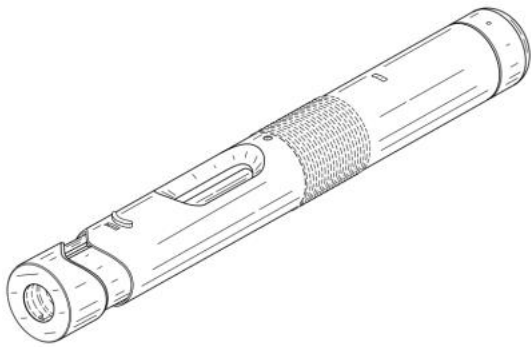
Handheld drug delivery device

[73] AMGEN INC.

One Amgen Center Drive,
Thousand Oaks, CA 91320-1799,
United States of America

[74] CHINA PATENT AGENT (HONG KONG) LIMITED

22/F, Great Eagle Centre,
23 Harbour Road,
Wanchai, Hong Kong



[11] 2422800.1M004

[15] 07-02-2024

[30] 08-08-2023 / US / 29/909,618

[51] Cl. 24-02

[54] 手持式藥物遞送裝置

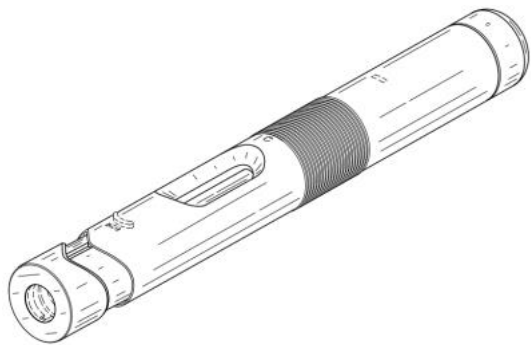
Handheld drug delivery device

[73] AMGEN INC.

One Amgen Center Drive,
Thousand Oaks, CA 91320-1799,
United States of America

[74] CHINA PATENT AGENT (HONG KONG) LIMITED

22/F, Great Eagle Centre,
23 Harbour Road,
Wanchai, Hong Kong



[11] 2422800.1M005

[15] 07-02-2024

[30] 08-08-2023 / US / 29/909,618

[51] Cl. 24-02

[54] 手持式藥物遞送裝置

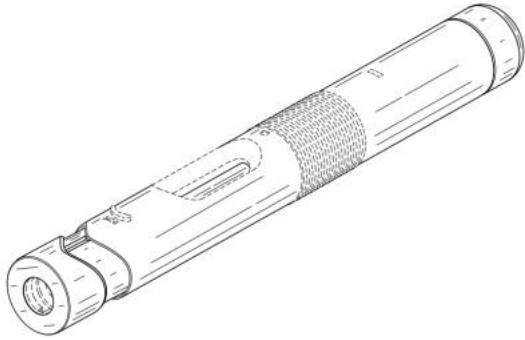
Handheld drug delivery device

[73] AMGEN INC.

One Amgen Center Drive,

Thousand Oaks, CA 91320-1799,
United States of America

[74] CHINA PATENT AGENT (HONG KONG) LIMITED
22/F, Great Eagle Centre,
23 Harbour Road,
Wanchai, Hong Kong



[11] 2422801.3

[15] 07-02-2024

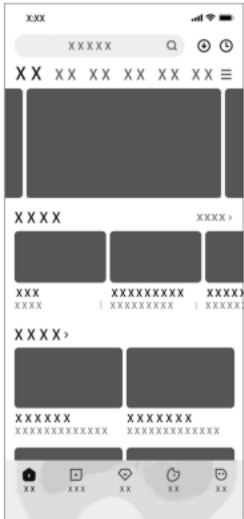
[30] 15-08-2023 / CN / 202330520270.5

[51] C1. 14-04

[54] 用於電子設備的輪播模塊展示圖形用戶界面
Graphical user interface for carousel modules display in
electronic device

[73] 北京優酷科技有限公司
BEIJING YOUKU TECHNOLOGY CO., LTD.
中國 100102
北京市朝陽區
望京東園四區 9 號樓 26 層 2601 室

[74] 三友知識產權代理有限公司
香港
德輔道中 188 號
金龍中心 23 樓 2301 室



[11] 2422965.0

[15] 15-03-2024

[51] Cl. 3-01

[54] 鸚鵡形包
Parrot shaped bag

[73] 日出意念有限公司
Morn Creations Limited
2/F,
No. 254 Tung Choi Street,
Prince Edward, Kowloon,
Hong Kong

[74] Morn Creations Limited
2/F,
No. 254 Tung Choi Street,
Prince Edward, Kowloon, Hong Kong



- [11] 2422986.4M001
[15] 20-03-2024
[30] 26-09-2023 / US / 29/903,628
[51] Cl. 14-99
[54] 觸控筆
Stylus
[73] 蘋果公司
APPLE INC.
One Apple Park Way Cupertino,
California 95014,
United States of America
[74] BARRON & YOUNG INTELLECTUAL PROPERTY LIMITED
Suite 617, Lakeside 2,
No. 10 Science Park West Avenue,
Hong Kong Science Park,
Shatin, New Territories, Hong Kong



-
- [11] 2422986.4M002
[15] 20-03-2024
[30] 26-09-2023 / US / 29/903,628
[51] Cl. 14-99
[54] 觸控筆
Stylus
[73] 蘋果公司
APPLE INC.
One Apple Park Way Cupertino,
California 95014,
United States of America
[74] BARRON & YOUNG INTELLECTUAL PROPERTY LIMITED
Suite 617, Lakeside 2,

No. 10 Science Park West Avenue,
Hong Kong Science Park,
Shatin, New Territories, Hong Kong



-
- [11] 2422986.4M003
[15] 20-03-2024
[30] 26-09-2023 / US / 29/903,628
[51] Cl. 14-99
[54] 觸控筆
Stylus
[73] 蘋果公司
APPLE INC.
One Apple Park Way Cupertino,
California 95014,
United States of America
[74] BARRON & YOUNG INTELLECTUAL PROPERTY LIMITED
Suite 617, Lakeside 2,
No. 10 Science Park West Avenue,
Hong Kong Science Park,
Shatin, New Territories, Hong Kong



[11] 2423017.1M001

[15] 22-03-2024

[30] 25-09-2023 / GB / 6315089

[51] Cl. 2-04

[54] 鞋型設計

Shoe shape design

[73] Phoebe Philo Limited

2nd Floor, Gadd House,

Arcadia Avenue,

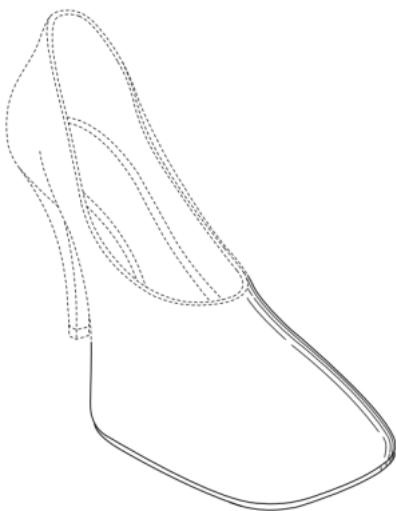
London, N3 2JU, United Kingdom

[74] LEWIS SILKIN

Unit 1302, 13/F, Dina House, Ruttonjee Centre,

11 Duddell Street,

Central, Hong Kong



- [11] 2423017.1M002
- [15] 22-03-2024
- [30] 27-10-2023 / GB / 6322427
- [51] Cl. 2-04
- [54] 鞋型
Shoe shape
- [73] Phoebe Philo Limited
2nd Floor, Gadd House,
Arcadia Avenue,
London, N3 2JU, United Kingdom
- [74] LEWIS SILKIN
Unit 1302, 13/F, Dina House, Ruttonjee Centre,
11 Duddell Street,
Central, Hong Kong



-
- [11] 2423017.1M003
 - [15] 22-03-2024
 - [30] 27-10-2023 / GB / 6322428
 - [51] Cl. 2-04
 - [54] 鞋跟
Shoe heel
 - [73] Phoebe Philo Limited
2nd Floor, Gadd House,
Arcadia Avenue,
London, N3 2JU, United Kingdom
 - [74] LEWIS SILKIN
Unit 1302, 13/F, Dina House, Ruttonjee Centre,
11 Duddell Street,
Central, Hong Kong



[11] 2423017.1M004

[15] 22-03-2024

[30] 27-10-2023 / GB / 6322429

[51] Cl. 2-04

[54] 外面鞋底

Shoe outer sole

[73] Phoebe Philo Limited

2nd Floor, Gadd House,

Arcadia Avenue,

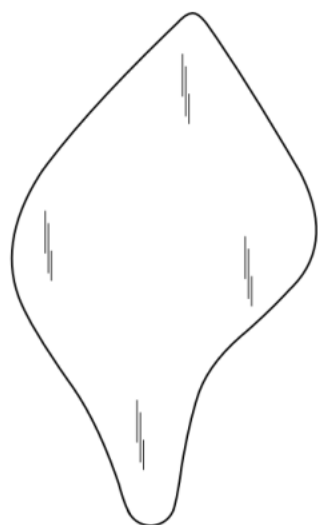
London, N3 2JU, United Kingdom

[74] LEWIS SILKIN

Unit 1302, 13/F, Dina House, Ruttonjee Centre,

11 Duddell Street,

Central, Hong Kong



- [11] 2423017.1M005
[15] 22-03-2024
[30] 30-10-2023 / GB / 6322699
[51] Cl. 2-04
[54] 鞋
Shoe
[73] Phoebe Philo Limited
2nd Floor, Gadd House,
Arcadia Avenue,
London, N3 2JU, United Kingdom
[74] LEWIS SILKIN
Unit 1302, 13/F, Dina House, Ruttonjee Centre,
11 Duddell Street,
Central, Hong Kong



-
- [11] 2423068.8
[15] 02-04-2024
[30] 06-10-2023 / JP / 2023-020736
[51] Cl. 28-03
[54] 美顏器
Beauty device
[73] 株式會社 MTG
MTG CO., LTD.
2-32 Honjin-tori, Nakamura-ku, Nagoya-shi,
Aichi 4530041,
Japan
[74] CHINAHONGKONG IP LIMITED
1502, 15/F, Capital Centre, 151 Gloucester Road, Wanchai,
Hong Kong



[11] 2423069.0

[15] 02-04-2024

[30] 27-02-2024 / JP / 2024-003876

[51] C1. 28-03

[54] 按摩機

Massage machine

[73] 发美利稻田株式会社

FAMILY INADA CO., LTD.

日本

大阪府大阪市淀川区宮原四丁目 2 番 10 号

[74] 中港專利有限公司

香港

灣仔告士打道 151 號資本中心 15 樓 1502 室



- [11] 2423071.4M001
[15] 02-04-2024
[30] 05-10-2023 / EU / 015036109-0001
[51] Cl. 9-01
[54] 瓶子
Bottle
[73] B. Braun Melsungen AG
Carl-Braun-Straße 1,
Melsungen,
34212,
Germany
[74] ROBIN BRIDGE & JOHN LIU
6th Floor, Emperor Commercial Centre,
39 Des Voeux Road Central,
Hong Kong



-
- [11] 2423071.4M002
[15] 02-04-2024
[30] 05-10-2023 / EU / 015036109-0002
[51] Cl. 9-01
[54] 瓶子
Bottle
[73] B. Braun Melsungen AG
Carl-Braun-Straße 1,
Melsungen,
34212,
Germany
[74] ROBIN BRIDGE & JOHN LIU
6th Floor, Emperor Commercial Centre,

39 Des Voeux Road Central,
Hong Kong



[11] 2423071.4M003

[15] 02-04-2024

[30] 05-10-2023 / EU / 015036109-0003

[51] Cl. 9-01

[54] 瓶子
Bottle

[73] B. Braun Melsungen AG
Carl-Braun-Straße 1,
Melsungen,
34212,
Germany

[74] ROBIN BRIDGE & JOHN LIU
6th Floor, Emperor Commercial Centre,
39 Des Voeux Road Central,
Hong Kong



[11] 2423071.4M004

[15] 02-04-2024

[30] 05-10-2023 / EU / 015036109-0004

[51] Cl. 9-01

[54] 瓶子

Bottle

[73] B. Braun Melsungen AG

Carl-Braun-Straße 1,

Melsungen,

34212,

Germany

[74] ROBIN BRIDGE & JOHN LIU

6th Floor, Emperor Commercial Centre,

39 Des Voeux Road Central,

Hong Kong



[11] 2423071.4M005

[15] 02-04-2024

[30] 05-10-2023 / EU / 015036109-0005

[51] Cl. 9-01

[54] 瓶子

Bottle

[73] B. Braun Melsungen AG

Carl-Braun-Straße 1,

Melsungen,

34212,

Germany

[74] ROBIN BRIDGE & JOHN LIU

6th Floor, Emperor Commercial Centre,

39 Des Voeux Road Central,

Hong Kong



[11] 2423071.4M006

[15] 02-04-2024

[30] 05-10-2023 / EU / 015036109-0006

[51] Cl. 9-01

[54] 瓶子

Bottle

[73] B. Braun Melsungen AG

Carl-Braun-Straße 1,

Melsungen,

34212,

Germany

[74] ROBIN BRIDGE & JOHN LIU

6th Floor, Emperor Commercial Centre,

39 Des Voeux Road Central,
Hong Kong



[11] 2423071.4M007

[15] 02-04-2024

[30] 05-10-2023 / EU / 015036109-0007

[51] Cl. 9-01

[54] 瓶子

Bottle

[73] B. Braun Melsungen AG

Carl-Braun-Straße 1,

Melsungen,

34212,

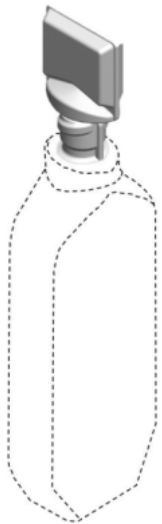
Germany

[74] ROBIN BRIDGE & JOHN LIU

6th Floor, Emperor Commercial Centre,

39 Des Voeux Road Central,

Hong Kong



[11] 2423071.4M008

[15] 02-04-2024

[30] 05-10-2023 / EU / 015036109-0008

[51] Cl. 9-01

[54] 瓶子

Bottle

[73] B. Braun Melsungen AG

Carl-Braun-Straße 1,

Melsungen,

34212,

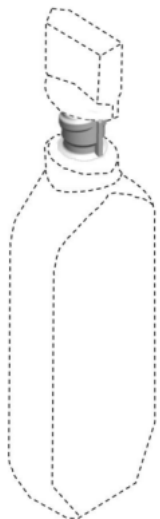
Germany

[74] ROBIN BRIDGE & JOHN LIU

6th Floor, Emperor Commercial Centre,

39 Des Voeux Road Central,

Hong Kong



[11] 2423071.4M009

[15] 02-04-2024

[30] 05-10-2023 / EU / 015036109-0009

[51] Cl. 9-01

[54] 瓶子

Bottle

[73] B. Braun Melsungen AG

Carl-Braun-Straße 1,

Melsungen,

34212,

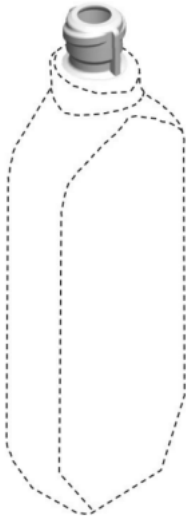
Germany

[74] ROBIN BRIDGE & JOHN LIU

6th Floor, Emperor Commercial Centre,

39 Des Voeux Road Central,

Hong Kong



[11] 2423077.7M001

[15] 05-04-2024

[30] 14-03-2024 / EU / 015053670-0001

[51] Cl. 28-03

[54] 擺動的芳香劑擴散器

Oscillating fragrance diffuser

[73] DIPTYQUE S.A.S.

34, boulevard Saint Germain, F-75005 Paris,

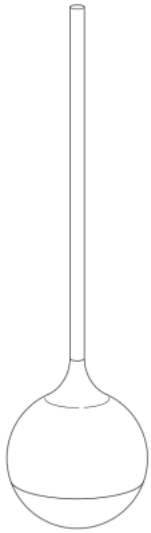
France

[74] ECCLES & LEE

Suite 3212, Jardine House,

1 Connaught Place, Central,

Hong Kong



[11] 2423077.7M002

[15] 05-04-2024

[30] 14-03-2024 / EU / 015053670-0002

[51] Cl. 28-03

[54] 擺動的芳香劑擴散器

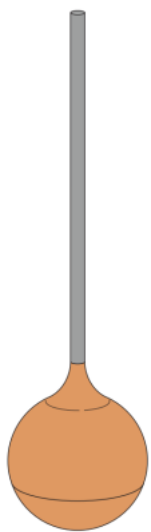
Oscillating fragrance diffuser

[73] DIPTYQUE S.A.S.

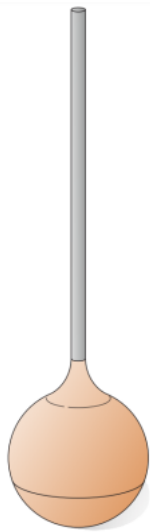
34, boulevard Saint Germain, F-75005 Paris,
France

[74] ECCLES & LEE

Suite 3212, Jardine House,
1 Connaught Place, Central,
Hong Kong



- [11] 2423077.7M003
[15] 05-04-2024
[30] 14-03-2024 / EU / 015053670-0003
[51] Cl. 28-03
[54] 擺動的芳香劑擴散器
Oscillating fragrance diffuser
[73] DIPTYQUE S.A.S.
34, boulevard Saint Germain, F-75005 Paris,
France
[74] ECCLES & LEE
Suite 3212, Jardine House,
1 Connaught Place, Central,
Hong Kong



-
- [11] 2423157.7M001
[15] 17-04-2024
[51] Cl. 11-01
[54] 珠寶飾品
Jewellery ornament
[73] 周大福珠宝金行(深圳)有限公司
CHOW TAI FOOK JEWELLERY (SHENZHEN) CO., LTD.
中國
广东省深圳市盐田区深盐路
黄金珠宝大厦 12 楼 A 座
[74] 中一聯合國際知識產權有限公司
香港九龍觀塘
興業街 20 號
聯合興業工業大廈 5 樓 A26 室



[11] 2423157.7M002

[15] 17-04-2024

[51] Cl. 11-01

[54] 珠寶飾品

Jewellery ornament

[73] 周大福珠宝金行(深圳)有限公司

CHOW TAI FOOK JEWELLERY (SHENZHEN) CO., LTD.

中國

广东省深圳市盐田区深盐路

黄金珠宝大厦 12 楼 A 座

[74] 中一聯合國際知識產權有限公司

香港九龍觀塘

興業街 20 號

聯合興業工業大廈 5 樓 A26 室



[11] 2423157.7M003

[15] 17-04-2024

[51] Cl. 11-01

[54] 珠寶飾品
Jewellery ornament

[73] 周大福珠宝金行(深圳)有限公司
CHOW TAI FOOK JEWELLERY (SHENZHEN) CO., LTD.
中國
广东省深圳市盐田区深盐路
黄金珠宝大厦 12 楼 A 座

[74] 中一聯合國際知識產權有限公司
香港九龍觀塘
興業街 20 號
聯合興業工業大廈 5 樓 A26 室



[11] 2423157.7M004

[15] 17-04-2024

[51] Cl. 11-01

[54] 珠寶飾品
Jewellery ornament

[73] 周大福珠宝金行(深圳)有限公司
CHOW TAI FOOK JEWELLERY (SHENZHEN) CO., LTD.
中國
广东省深圳市盐田区深盐路
黄金珠宝大厦 12 楼 A 座

[74] 中一聯合國際知識產權有限公司
香港九龍觀塘
興業街 20 號
聯合興業工業大廈 5 樓 A26 室



[11] 2423185.6

[15] 22-04-2024

[30] 24-10-2023 / US / 29/915,017

[51] Cl. 22-01

[54] 槍托

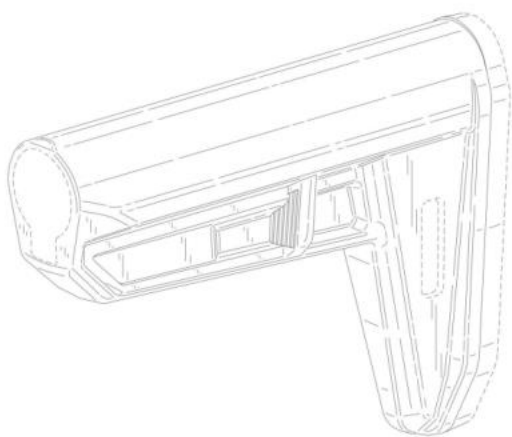
Firearm stock

[73] Magpul Industries Corp.

5408 US Highway 290 West, Austin, TX 78735,
United States of America

[74] TRADEMARKCN COMPANY LIMITED

Block A, 4/F., Granville Building,
14 Granville Road, Tsim Sha Tsui, Kowloon,
Hong Kong



[11] 2423193.2

[15] 23-04-2024

[30] 24-10-2023 / US / 29/915,017

[51] Cl. 22-01

[54] 槍托

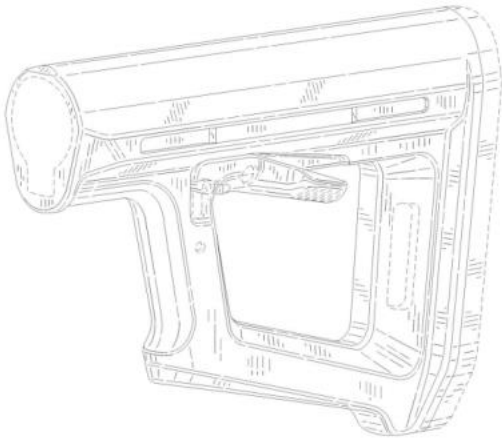
Firearm stock

[73] Magpul Industries Corp.

5408 US Highway 290 West, Austin, TX 78735,
United States of America

[74] TRADEMARKCN COMPANY LIMITED

Block A, 4/F., Granville Building,
14 Granville Road, Tsim Sha Tsui, Kowloon,
Hong Kong



[11] 2423267.0M001

[15] 06-05-2024

[51] Cl. 26-05

[54] 燈具

Lamp

[73] 意建築師有限公司

I ARCHITECTS LIMITED

香港

九龍永康街 79 號

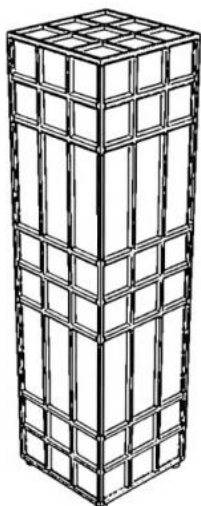
創匯國際中心 16 樓 F 室

[74] I ARCHITECTS LIMITED

香港

九龍永康街 79 號

創匯國際中心 16 樓 F 室



[11] 2423267.0M002

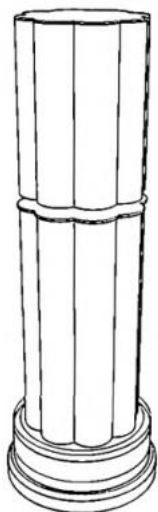
[15] 06-05-2024

[51] Cl. 26-05

[54] 燈具
Lamp

[73] 意建築師有限公司
I ARCHITECTS LIMITED
香港
九龍永康街 79 號
創匯國際中心 16 樓 F 室

[74] I ARCHITECTS LIMITED
香港
九龍永康街 79 號
創匯國際中心 16 樓 F 室



[11] 2423267.0M003

[15] 06-05-2024

[51] Cl. 26-05

[54] 燈具

Lamp

[73] 意建築師有限公司

I ARCHITECTS LIMITED

香港

九龍永康街 79 號

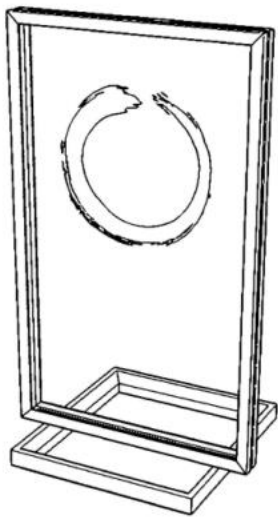
創匯國際中心 16 樓 F 室

[74] I ARCHITECTS LIMITED

香港

九龍永康街 79 號

創匯國際中心 16 樓 F 室



[11] 2423267.0M004

[15] 06-05-2024

[51] Cl. 26-05

[54] 燈具

Lamp

[73] 意建築師有限公司

I ARCHITECTS LIMITED

香港

九龍永康街 79 號

創匯國際中心 16 樓 F 室

[74] I ARCHITECTS LIMITED

香港

九龍永康街 79 號

創匯國際中心 16 樓 F 室



[11] 2423267.0M005

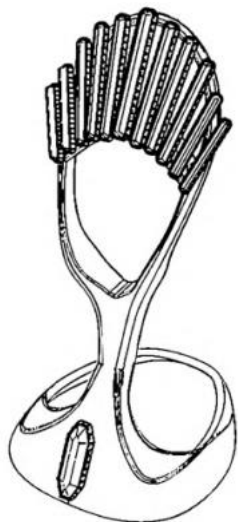
[15] 06-05-2024

[51] Cl. 26-05

[54] 燈具
Lamp

[73] 意建築師有限公司
I ARCHITECTS LIMITED
香港
九龍永康街 79 號
創匯國際中心 16 樓 F 室

[74] I ARCHITECTS LIMITED
香港
九龍永康街 79 號
創匯國際中心 16 樓 F 室



[11] 2423267.0M006

[15] 06-05-2024

[51] Cl. 26-05

[54] 燈具

Lamp

[73] 意建築師有限公司

I ARCHITECTS LIMITED

香港

九龍永康街 79 號

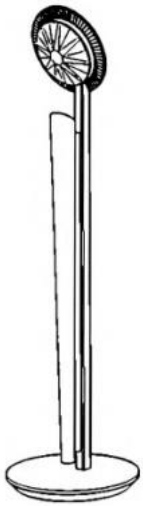
創匯國際中心 16 樓 F 室

[74] I ARCHITECTS LIMITED

香港

九龍永康街 79 號

創匯國際中心 16 樓 F 室



[11] 2423267.0M007

[15] 06-05-2024

[51] Cl. 26-05

[54] 燈具

Lamp

[73] 意建築師有限公司

I ARCHITECTS LIMITED

香港

九龍永康街 79 號

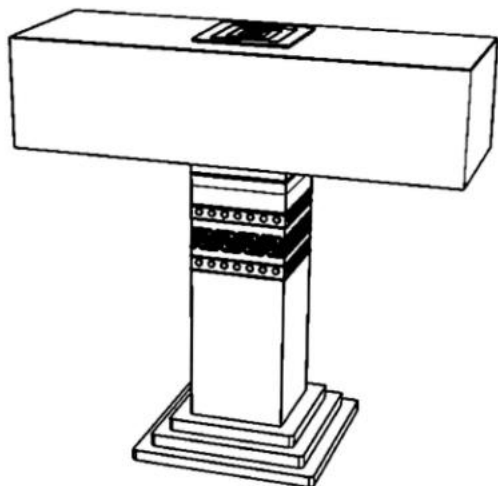
創匯國際中心 16 樓 F 室

[74] I ARCHITECTS LIMITED

香港

九龍永康街 79 號

創匯國際中心 16 樓 F 室



[11] 2423268.2

[15] 06-05-2024

[30] 11-03-2024 / JP / 2024-005006

[51] Cl. 21-01

[54] 立體金屬拼圖

3-Dimensional metallic puzzle

[73] 華山國際貿易有限公司

Hanayama International Trading Limited

Flat A, 7/F, NO.1 Chatham Road South,

Tsim Sha Tsui, Kowloon,

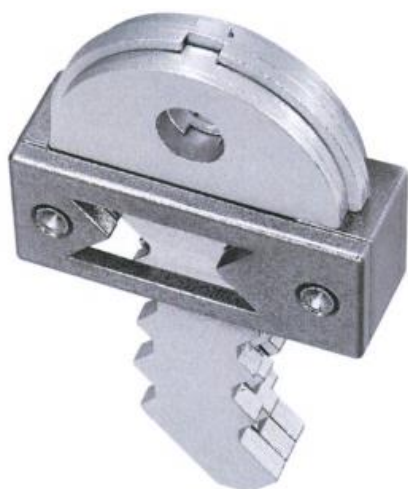
Hong Kong

[74] Ms Cansi Wong

Flat A, 7/F, No.1 Chatham Road South,

Tsim Sha Tsui, Kowloon,

Hong Kong



[11] 2423269.4

[15] 08-05-2024

[51] Cl. 13-02

[54] 超薄磁吸無線快充移動電源

Ultra thin magnetic wireless fast charge power bank

[73] 創新科技集團有限公司

INNOVATION TECHNOLOGY GROUP LIMITED
Flat 3, 19/F, ELITE CENTRE,
22 HUNG TO ROAD, KWUN TONG, KOWLOON,
HONG KONG

[74] INNOVATION TECHNOLOGY GROUP LIMITED (創新科技集團有限公司)

Flat 3, 19/F, ELITE CENTRE,
22 HUNG TO ROAD, KWUN TONG, KOWLOON,
HONG KONG



[11] 2423276.9M001

[15] 07-05-2024

[51] Cl. 23-04

[54] 風扇

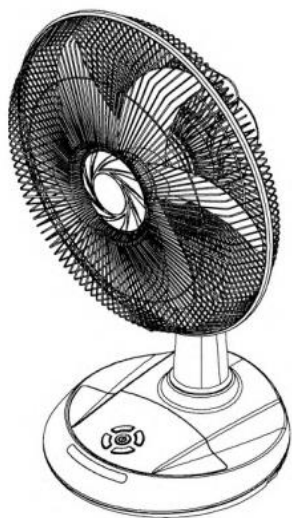
Fan

[73] 領明實業有限公司

香港
屯門杯渡路 76 號
屯門工業中心 E 座一字樓二號室

[74] 領明實業有限公司

香港
屯門杯渡路 76 號
屯門工業中心 E 座一字樓二號室



[11] 2423276.9M002

[15] 07-05-2024

[51] Cl. 23-04

[54] 風扇
Fan

[73] 領明實業有限公司
香港
屯門杯渡路 76 號
屯門工業中心 E 座一字樓二號室

[74] 領明實業有限公司
香港
屯門杯渡路 76 號
屯門工業中心 E 座一字樓二號室



[11] 2423279.5

[15] 08-05-2024

[30] 22-12-2023 / AM, AZ, BZ, BA, GE, LI, MK, MD, MC, MN, ME, MA,
NO, OM, RU, SG, CH, TN, TR, UA, GB, EU, AL, KG / DM/234316

[51] Cl. 10-07

[54] 錶面
Dial

[73] OMEGA SA (OMEGA AG) (OMEGA LTD.)
Jakob-Stämpfli-Strasse 96,
CH-2502 Biel/Bienne,
Switzerland

[74] SPRUSON & FERGUSON (HONG KONG) LIMITED
5001 Hopewell Centre,
183 Queen's Road East, Wan Chai,
Hong Kong





香港特別行政區政府知識產權署外觀設計註冊處

The Government of the Hong Kong Special Administrative Region

Designs Registry, Intellectual Property Department

根據註冊外觀設計條例第 28 條，下列註冊外觀設計因未繳續期費而停止有效。

各組記項按註冊外觀設計停止有效日期及註冊編號先後次序排列。

Registered designs ceased through non-payment of renewal fees under section 28 of the Registered Designs Ordinance. Entries are listed below under their expiry dates.

09-05-2024 - 15-05-2024

09-05-2024	1913624.9M001	1913643.9
1913612.4	1913624.9M002	1913644.1M002
1913615.1		1913644.1M003
1913617.5M001	13-05-2024	1913646.6M001
1913617.5M002	0411081.7	1913646.6M002
1913617.5M003	0900791.5	1913646.6M003
1913618.7M001	0900794.1	1913646.6M004
1913618.7M002	1400886.4	1913647.8M001
1913618.7M003	1913627.6M001	1913647.8M002
1913619.9M001	1913627.6M002	1913650.4
1913619.9M002	1913627.6M003	1913652.8M001
1913621.3M001		1913652.8M002
1913621.3M002	14-05-2024	1913652.8M003
	0900795.4M001	1913652.8M004
10-05-2024	0900795.4M003	1913652.8M005
0900750.9	0900795.4M004	
0900757.4	1400824.3M002	
	1400824.3M003	
11-05-2024	1400826.8M001	
0900770.1M003	1400903.1M002	
1400875.1M001	1400903.1M003	
1400875.1M002	1400903.1M004	
1400875.1M003	1400905.6	
1400875.1M004	1913630.2M002	
1400875.1M005	1913630.2M003	
1400875.1M006	1913633.8M001	
1400875.1M007	1913633.8M002	
	1913633.8M003	
12-05-2024	1913633.8M004	
1400881.3	1913634.0	
1400885.2M001	1913635.3	
1400885.2M002	1913636.5	
1400885.2M003		
1400885.2M004	15-05-2024	



香港特別行政區政府知識產權署外觀設計註冊處

The Government of the Hong Kong Special Administrative Region

Designs Registry, Intellectual Property Department

根據註冊外觀設計規則第 31 條刪除的註冊外觀設計。各組記項按註冊外觀設計刪除日期及註冊編號先後次序排列。

Registered designs removed under section 31 of the Registered Designs Rules. Entries are listed below under their removal dates.

17-05-2024 - 23-05-2024

17-05-2024	1302015.9	1802250.1
0311933.4M001	1302018.5	1802251.3M001
0311933.4M002	1802221.0	1802251.3M002
0311933.4M004	1802222.2	1802251.3M003
	1802223.4	1802251.3M004
	1802230.9	1802251.3M005
18-05-2024		
0311926.0M001		
0311926.0M002	21-05-2024	
0311926.0M003	0311957.5	
0802688.8	1302021.1M001	
0802947.8	1302021.1M002	
1301991.6M001	1302021.1M003	
1301991.6M002		
1301991.6M003	22-05-2024	
1301991.6M004	1802234.7M001	
	1802234.7M002	
	1802235.0	
19-05-2024	1802236.2M001	
0802697.7	1802236.2M002	
1301999.3	1802236.2M003	
1302000.7	1802237.4M001	
1302001.9	1802237.4M002	
1302002.1	1802237.4M003	
1802212.1	1802237.4M004	
1802213.3		
1802216.0		
1802217.2	23-05-2024	
1802218.4	1802239.8M002	
	1802243.6	
20-05-2024	1802245.1M003	
0802724.5	1802245.1M005	
1302009.6	1802245.1M008	
1302012.2	1802245.1M009	
1302013.4	1802245.1M010	
1302014.6	1802247.5	