

# 香港知識產權公報

Hong Kong Intellectual Property Journal

2024年3月8日

08 March 2024



## 目錄 Contents

### 根據註冊外觀設計條例第 25 條註冊的外觀設計

#### **Designs Registered under section 25 of the Registered Designs Ordinance**

按註冊編號排列

Arranged by Registration Number

### 根據註冊外觀設計條例(第 522 章)公布的其他公告

#### **Other Notices Published under the Registered Designs Ordinance (Cap. 522)**

根據註冊外觀設計條例第 28 條，註冊外觀設計因未繳續期費而停止有效

Registered designs ceased through non-payment of renewal fees under section 28 of the Registered Designs Ordinance

根據註冊外觀設計規則第 31 條刪除的註冊外觀設計

Registered designs removed under section 31 of the Registered Designs Rules

勘誤

Corrigendum

### 以下事項沒有記錄

#### **No Records for the Following Matters**

根據註冊外觀設計條例第 30 條放棄的外觀設計的註冊

Surrender of Registration of Design under section 30 of the Registered Designs Ordinance

根據註冊外觀設計規則第 37 條，向處長作出轉介

Reference to Registrar under section 37 of the Registered Designs Rules

根據註冊外觀設計條例第 45 條，撤銷註冊

Revocation of Registration under section 45 of the Registered Designs Ordinance

根據註冊外觀設計規則第 46 條，向法院作出轉介

Reference to Court under section 46 of the Registered Designs Rules

根據註冊外觀設計規則第 63 條對不符合規定之處作出糾正

Rectification of Irregularities under section 63 of the Registered Designs Rules

根據註冊外觀設計條例第 66 條，糾正註冊紀錄冊

Rectification of Register under section 66 of the Registered Designs Ordinance

根據註冊外觀設計條例第 67 條 更正註冊紀錄冊內的錯誤

Correction of errors in Register under section 67 of the Registered Designs Ordinance

根據註冊外觀設計條例第 67 及 76 條，更正註冊紀錄冊內及已提交文件中的錯誤

Correction of Errors in Register and in Filed Documents under sections 67 and 76 of the Registered Designs Ordinance

根據註冊外觀設計條例第 76 條，更正已提交文件中的錯誤

Correction of errors in filed documents under section 76 of the Registered Designs Ordinance

## 註冊外觀設計公告註釋

### Notes on advertisements of registration of designs

方括號表示下列資料：

Square brackets indicate the following data：

[11] 註冊編號 Registration number / 聯合王國註冊編號 United Kingdom registration number

[15] 註冊日期 Registration date / 當作註冊日期 Deemed registration date / 聯合王國註冊日期 United Kingdom registration date

[17] 註冊有效期屆滿日期 Expiry date of the period of registration

[22] 提交日期 Filing date / 當作提交日期 Deemed filing date / 聯合王國提交日期 United Kingdom filing date

[30] 聲稱享有的優先權（提交日期 / 巴黎公約國或世界貿易組織成員 / 申請編號） Priority claimed (filing date / Paris Convention country or WTO member / application number)

[51] 國際外觀設計分類號（洛迦諾分類號） International Classification of designs (Locarno Classification)

[54] 物品 Article

[55] 外觀設計的表述 Representation of the design

[62] 分開前的申請編號及提交日期 Application number before division and filing date

[66] 過往註冊的聯繫外觀設計註冊編號 / 日期 Registration No. / Date of Previous Registration for Association

[72] 設計人 Designer

[73] 擁有人姓名和地址 Name and address of the owner

[74] 代理人 Agent /送達地址 Address for service



香港特別行政區政府知識產權署外觀設計註冊處

The Government of the Hong Kong Special Administrative Region

Designs Registry, Intellectual Property Department

## 根據註冊外觀設計條例第 25 條註冊的外觀設計

### Designs registered under section 25 of the Registered Designs Ordinance

按註冊編號排列

Arranged by Registration Number

[11] 2322283.1

[15] 31-10-2023

[51] Cl. 8-07

[54] 汽車鑰匙

Key for vehicles

[73] Dr. Ing. h.c. F. Porsche Aktiengesellschaft

Porscheplatz 1,

70435 Stuttgart,

Germany

[74] WENPING PATENT & TRADE MARK AGENT LIMITED

1701 Tung Wai Commercial Building,

111 Gloucester Road,

Hong Kong



[11] 2322284.3

[15] 31-10-2023

[51] Cl. 12-16

[54] 汽車的保險槓

Bumper for vehicles

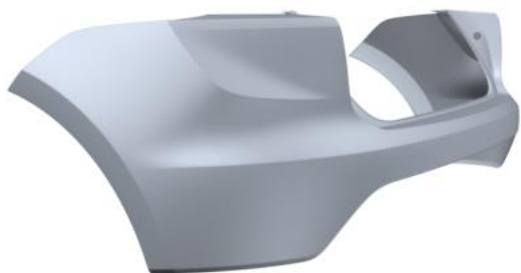
[73] Dr. Ing. h.c. F. Porsche Aktiengesellschaft

Porscheplatz 1,

70435 Stuttgart,

Germany

- [74] WENPING PATENT & TRADE MARK AGENT LIMITED  
1701 Tung Wai Commercial Building,  
111 Gloucester Road,  
Hong Kong



---

[11] 2322286.8

[15] 31-10-2023

[51] Cl. 16-01

[54] 攝像機  
Camera

[73] Dr. Ing. h.c. F. Porsche Aktiengesellschaft  
Porscheplatz 1,  
70435 Stuttgart,  
Germany

[74] WENPING PATENT & TRADE MARK AGENT LIMITED  
1701 Tung Wai Commercial Building,  
111 Gloucester Road,  
Hong Kong



---

[11] 2322289.4M001

[15] 31-10-2023

- [51] Cl. 6-01
- [54] 汽車座椅  
Vehicle seat
- [73] Dr. Ing. h.c. F. Porsche Aktiengesellschaft  
Porscheplatz 1,  
70435 Stuttgart,  
Germany
- [74] WENPING PATENT & TRADE MARK AGENT LIMITED  
1701 Tung Wai Commercial Building,  
111 Gloucester Road,  
Hong Kong



- 
- [11] 2322289.4M002
- [15] 31-10-2023
- [51] Cl. 6-01
- [54] 汽車座椅  
Vehicle seat
- [73] Dr. Ing. h.c. F. Porsche Aktiengesellschaft  
Porscheplatz 1,  
70435 Stuttgart,  
Germany
- [74] WENPING PATENT & TRADE MARK AGENT LIMITED  
1701 Tung Wai Commercial Building,  
111 Gloucester Road,  
Hong Kong





---

[11] 2322289.4M003

[15] 31-10-2023

[51] Cl. 6-01

[54] 汽車座椅

Vehicle seat

[73] Dr. Ing. h.c. F. Porsche Aktiengesellschaft

Porscheplatz 1,

70435 Stuttgart,

Germany

[74] WENPING PATENT & TRADE MARK AGENT LIMITED

1701 Tung Wai Commercial Building,

111 Gloucester Road,

Hong Kong



---

[11] 2322362.9

[15] 17-11-2023

[30] 07-06-2023 / FR / 20232618

[51] Cl. 11-01

[54] 首飾

Jewellery

[73] LOUIS VUITTON MALLETIER

2 rue du Pont-Neuf,

75001 Paris,

France

[74] BAKER & MCKENZIE

14th Floor, One Taikoo Place,

979 King's Road,

Quarry Bay, Hong Kong



---

[11] 2322363.1

[15] 17-11-2023

[30] 07-06-2023 / FR / 20232618

[51] Cl. 11-01

[54] 首飾

Jewellery

[73] LOUIS VUITTON MALLETIER

2 rue du Pont-Neuf,

75001 Paris,

France

[74] BAKER & MCKENZIE

14th Floor, One Taikoo Place,

979 King's Road,

Quarry Bay, Hong Kong



---

[11] 2322364.3

[15] 17-11-2023

[30] 07-06-2023 / FR / 20232618

[51] Cl. 11-01

[54] 首飾

Jewellery

[73] LOUIS VUITTON MALLETIER

2 rue du Pont-Neuf,

75001 Paris,

France

[74] BAKER & MCKENZIE

14th Floor, One Taikoo Place,

979 King's Road,

Quarry Bay, Hong Kong



- [11] 2322365.6  
[15] 17-11-2023  
[30] 24-05-2023 / FR / 20232393  
[51] Cl. 11-01  
[54] 首飾  
Jewellery  
[73] LOUIS VUITTON MALLETIER  
2 rue du Pont-Neuf,  
75001 Paris,  
France  
[74] BAKER & MCKENZIE  
14th Floor, One Taikoo Place,  
979 King's Road,  
Quarry Bay, Hong Kong



- 
- [11] 2322366.8  
[15] 17-11-2023  
[30] 17-05-2023 / FR / 20232309  
[51] Cl. 11-01  
[54] 首飾  
Jewellery  
[73] LOUIS VUITTON MALLETIER  
2 rue du Pont-Neuf,  
75001 Paris,  
France  
[74] BAKER & MCKENZIE  
14th Floor, One Taikoo Place,  
979 King's Road,  
Quarry Bay, Hong Kong



---

[11] 2322367.0

[15] 17-11-2023

[30] 17-05-2023 / FR / 20232309

[51] Cl. 11-01

[54] 首飾

Jewellery

[73] LOUIS VUITTON MALLETIER

2 rue du Pont-Neuf,

75001 Paris,

France

[74] BAKER & MCKENZIE

14th Floor, One Taikoo Place,

979 King's Road,

Quarry Bay, Hong Kong



---

[11] 2322368.2

[15] 17-11-2023

[30] 17-05-2023 / FR / 20232309

[51] Cl. 11-01

[54] 首飾  
Jewellery

[73] LOUIS VUITTON MALLETIER  
2 rue du Pont-Neuf,  
75001 Paris,  
France

[74] BAKER & MCKENZIE  
14th Floor, One Taikoo Place,  
979 King's Road,  
Quarry Bay, Hong Kong



---

[11] 2322369.4

[15] 17-11-2023

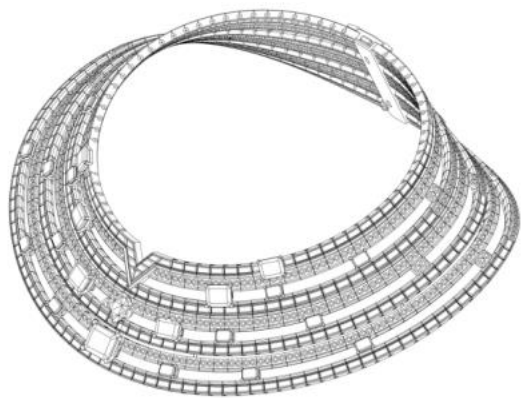
[30] 17-05-2023 / FR / 20232310

[51] Cl. 11-01

[54] 首飾  
Jewellery

[73] LOUIS VUITTON MALLETIER  
2 rue du Pont-Neuf,  
75001 Paris,  
France

[74] BAKER & MCKENZIE  
14th Floor, One Taikoo Place,  
979 King's Road,  
Quarry Bay, Hong Kong



---

[11] 2322371.8

[15] 17-11-2023

[30] 17-05-2023 / FR / 20232310

[51] Cl. 11-01

[54] 首飾

Jewellery

[73] LOUIS VUITTON MALLETIER

2 rue du Pont-Neuf,

75001 Paris,

France

[74] BAKER & MCKENZIE

14th Floor, One Taikoo Place,

979 King's Road,

Quarry Bay, Hong Kong



---

[11] 2322372.0

[15] 17-11-2023

[30] 17-05-2023 / FR / 20232310

[51] Cl. 11-01

[54] 首飾

Jewellery

[73] LOUIS VUITTON MALLETIER

2 rue du Pont-Neuf,

75001 Paris,

France

[74] BAKER & MCKENZIE

14th Floor, One Taikoo Place,

979 King's Road,

Quarry Bay, Hong Kong



---

[11] 2322373.2

[15] 17-11-2023

[30] 17-05-2023 / FR / 20232310

[51] Cl. 11-01

[54] 首飾

Jewellery

[73] LOUIS VUITTON MALLETIER

2 rue du Pont-Neuf,

75001 Paris,

France

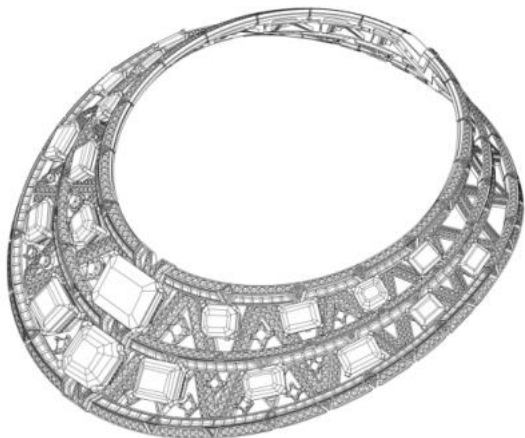
[74] BAKER & MCKENZIE

14th Floor, One Taikoo Place,

979 King's Road,

Quarry Bay, Hong Kong





---

[11] 2322374.4

[15] 17-11-2023

[30] 17-05-2023 / FR / 20232310

[51] Cl. 11-01

[54] 首飾

Jewellery

[73] LOUIS VUITTON MALLETIER

2 rue du Pont-Neuf,

75001 Paris,

France

[74] BAKER & MCKENZIE

14th Floor, One Taikoo Place,

979 King's Road,

Quarry Bay, Hong Kong



---

[11] 2322375.7

[15] 17-11-2023

[30] 17-05-2023 / FR / 20232310

[51] Cl. 11-01

[54] 首飾

Jewellery

[73] LOUIS VUITTON MALLETIER

2 rue du Pont-Neuf,

75001 Paris,

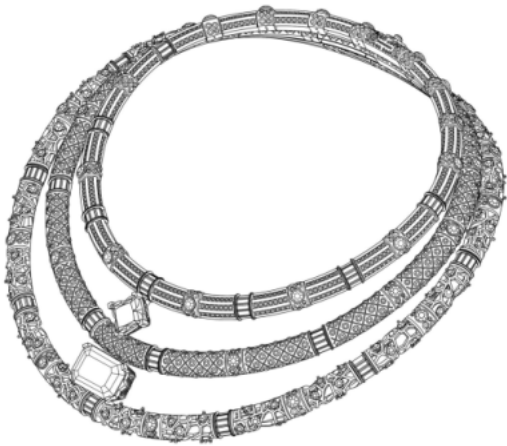
France

[74] BAKER & MCKENZIE

14th Floor, One Taikoo Place,

979 King's Road,

Quarry Bay, Hong Kong



---

[11] 2322377.1

[15] 17-11-2023

[30] 17-05-2023 / FR / 20232310

[51] Cl. 11-01

[54] 首飾

Jewellery

[73] LOUIS VUITTON MALLETIER

2 rue du Pont-Neuf,

75001 Paris,

France

[74] BAKER & MCKENZIE

14th Floor, One Taikoo Place,

979 King's Road,

Quarry Bay, Hong Kong



---

[11] 2322378.3

[15] 17-11-2023

[30] 17-05-2023 / FR / 20232310

[51] Cl. 11-01

[54] 首飾

Jewellery

[73] LOUIS VUITTON MALLETIER

2 rue du Pont-Neuf,

75001 Paris,

France

[74] BAKER & MCKENZIE

14th Floor, One Taikoo Place,

979 King's Road,

Quarry Bay, Hong Kong



---

[11] 2322395.9

[15] 22-11-2023

[30] 30-05-2023 / US / 29/876,853

[51] Cl. 9-01

[54] 瓶子

Bottle

[73] Bath & Body Works Brand Management, Inc.

7 Limited Parkway,

Reynoldsburg, OH 43068,

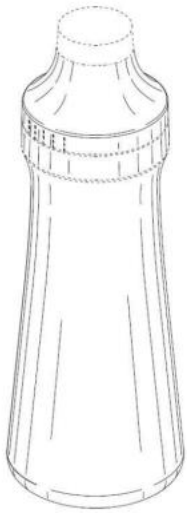
United States of America

[74] SPRUSON & FERGUSON (HONG KONG) LIMITED

5001 Hopewell Centre,

183 Queen's Road East,

Wan Chai, Hong Kong



---

[11] 2322445.6M001

[15] 30-11-2023

[30] 05-06-2023 / US / 29/893,964

[51] Cl. 14-04

[54] 用於電腦顯示系統或其一部分的具有三維外觀的圖形用戶界面

Graphical user interface having a three dimensional appearance  
for computer display system or portion thereof

[73] 蘋果公司

APPLE INC.

One Apple Park Way Cupertino,

California 95014,

United States of America

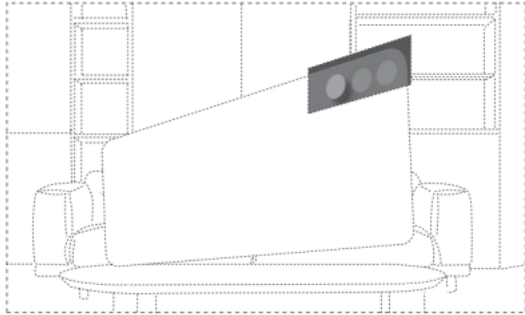
[74] BARRON & YOUNG INTELLECTUAL PROPERTY LIMITED

Suite 617, Lakeside 2,

No. 10 Science Park West Avenue,

Hong Kong Science Park, Shatin,

New Territories, Hong Kong



---

[11] 2322445.6M002

[15] 30-11-2023

[30] 05-06-2023 / US / 29/893,964

[51] Cl. 14-04

[54] 用於電腦顯示系統或其一部分的具有三維外觀的動態圖形用戶界面  
Animated graphical user interface having a three dimensional  
appearance for computer display system or portion thereof

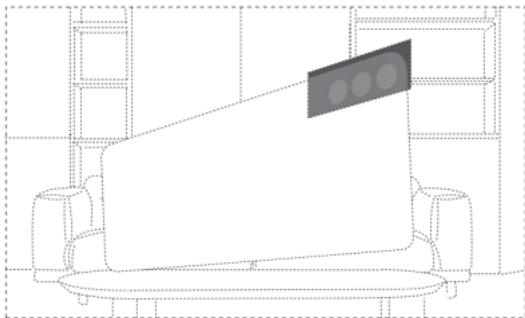
[73] 蘋果公司

APPLE INC.

One Apple Park Way Cupertino,  
California 95014,  
United States of America

[74] BARRON & YOUNG INTELLECTUAL PROPERTY LIMITED

Suite 617, Lakeside 2,  
No. 10 Science Park West Avenue,  
Hong Kong Science Park, Shatin,  
New Territories, Hong Kong



---

[11] 2322472.2M001

[15] 04-12-2023

[30] 04-06-2023 / US / 29/877,253

[51] Cl. 3-01

[54] 用於頭戴式顯示器的蓋  
Cover for head-mounted display

[73] 蘋果公司

APPLE INC.

One Apple Park Way, Cupertino,

California,

United States of America

[74] CLT PATENT & TRADEMARK (H.K.) LIMITED

Unit 09, 34/F., Office Tower, Convention Plaza,

1 Harbour Road,

Wanchai, Hong Kong



---

[11] 2322472.2M002

[15] 04-12-2023

[30] 31-10-2023 / US / 29/915,474

[51] Cl. 3-01

[54] 用於頭戴式顯示器的蓋

Cover for head-mounted display

[73] 蘋果公司

APPLE INC.

One Apple Park Way, Cupertino,

California,

United States of America

[74] CLT PATENT & TRADEMARK (H.K.) LIMITED

Unit 09, 34/F., Office Tower, Convention Plaza,

1 Harbour Road,

Wanchai, Hong Kong



---

[11] 2322472.2M003

[15] 04-12-2023

[30] 31-10-2023 / US / 29/915,474

[51] Cl. 3-01

[54] 用於頭戴式顯示器的蓋  
Cover for head-mounted display

[73] 蘋果公司  
APPLE INC.  
One Apple Park Way, Cupertino,  
California,  
United States of America

[74] CLT PATENT & TRADEMARK (H.K.) LIMITED  
Unit 09, 34/F., Office Tower, Convention Plaza,  
1 Harbour Road,  
Wanchai, Hong Kong



---

[11] 2322472.2M004

[15] 04-12-2023

[30] 31-10-2023 / US / 29/915,474

[51] Cl. 3-01

[54] 用於頭戴式顯示器的蓋

Cover for head-mounted display

[73] 蘋果公司

APPLE INC.

One Apple Park Way, Cupertino,

California,

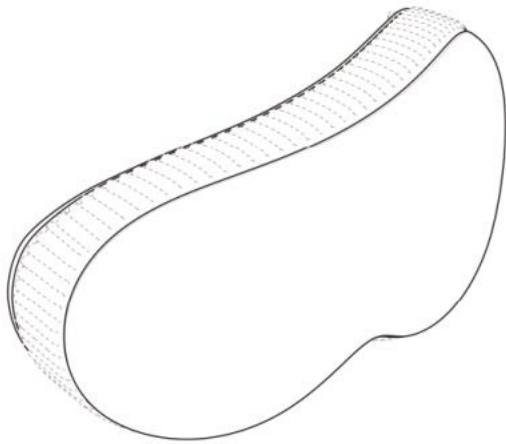
United States of America

[74] CLT PATENT & TRADEMARK (H.K.) LIMITED

Unit 09, 34/F., Office Tower, Convention Plaza,

1 Harbour Road,

Wanchai, Hong Kong



---

[11] 2322493.6M001

[15] 04-12-2023

[30] 04-06-2023 / US / 29/877,240

[51] Cl. 14-04

[54] 用於電腦顯示系統或其一部分的具有三維外觀的動態圖形用戶介面

Animated graphical user interface having a three dimensional appearance for computer display system or portion thereof

[73] 蘋果公司

APPLE INC.

One Apple Park Way Cupertino,

California 95014,

United States of America

[74] BARRON & YOUNG INTELLECTUAL PROPERTY LIMITED

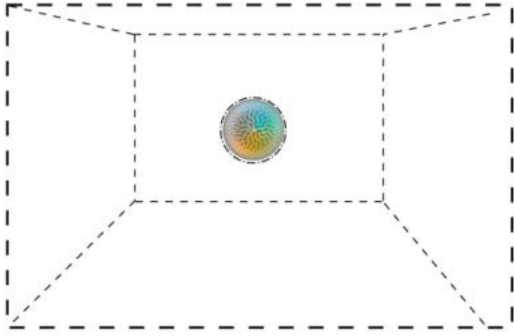
Suite 617, Lakeside 2,

No. 10 Science Park West Avenue,

Hong Kong Science Park, Shatin,

New Territories, Hong Kong





---

[11] 2322493.6M002

[15] 04-12-2023

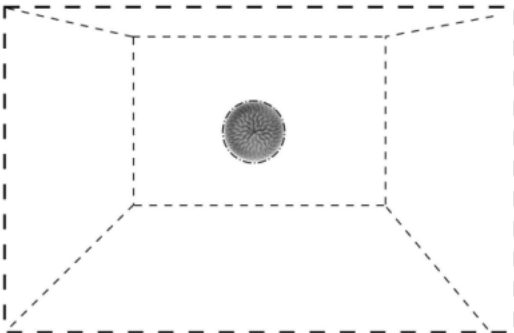
[30] 04-06-2023 / US / 29/877,240

[51] Cl. 14-04

[54] 用於電腦顯示系統或其一部分的具有三維外觀的動態圖形用戶介面  
Animated graphical user interface having a three dimensional  
appearance for computer display system or portion thereof

[73] 蘋果公司  
APPLE INC.  
One Apple Park Way Cupertino,  
California 95014,  
United States of America

[74] BARRON & YOUNG INTELLECTUAL PROPERTY LIMITED  
Suite 617, Lakeside 2,  
No. 10 Science Park West Avenue,  
Hong Kong Science Park, Shatin,  
New Territories, Hong Kong



---

[11] 2322493.6M003

[15] 04-12-2023

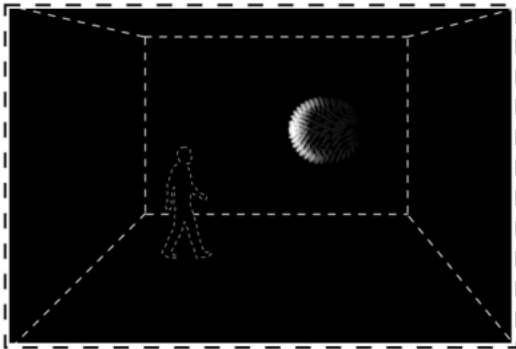
[30] 04-06-2023 / US / 29/877,240

[51] Cl. 14-04

[54] 用於電腦顯示系統或其一部分的具有三維外觀的動態圖形用戶介面  
Animated graphical user interface having a three dimensional appearance for computer display system or portion thereof

[73] 蘋果公司  
APPLE INC.  
One Apple Park Way Cupertino,  
California 95014,  
United States of America

[74] BARRON & YOUNG INTELLECTUAL PROPERTY LIMITED  
Suite 617, Lakeside 2,  
No. 10 Science Park West Avenue,  
Hong Kong Science Park, Shatin,  
New Territories, Hong Kong



---

[11] 2322501.6

[15] 05-12-2023

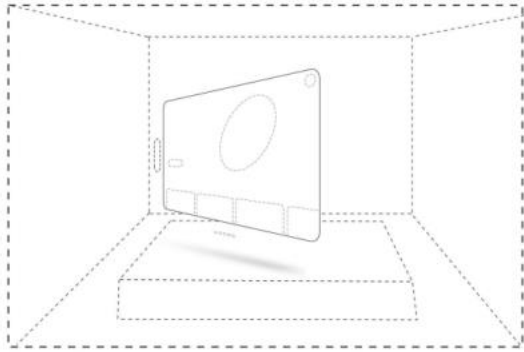
[30] 05-06-2023 / US / 29/877,343

[51] Cl. 14-04

[54] 用於電腦顯示系統或其一部分的具有三維外觀的動態圖形用戶介面  
Animated graphical user interface having a three dimensional appearance for computer display system or portion thereof

[73] 蘋果公司  
APPLE INC.  
One Apple Park Way Cupertino,  
California 95014,  
United States of America

[74] BARRON & YOUNG INTELLECTUAL PROPERTY LIMITED  
Suite 617, Lakeside 2,  
No. 10 Science Park West Avenue,  
Hong Kong Science Park, Shatin,  
New Territories, Hong Kong



[11] 2322595.4

[15] 22-12-2023

[30] 10-11-2023 / CN / 202330736677.1

[51] C1. 23-03

[54] 熱水器的前面板

Front panel for water heater

[73] 蕪湖美的智能廚電製造有限公司

WUHU MIDEA SMART KITCHEN APPLIANCE MANUFACTURING CO., LTD.

中國

安徽省蕪湖市江北集中區

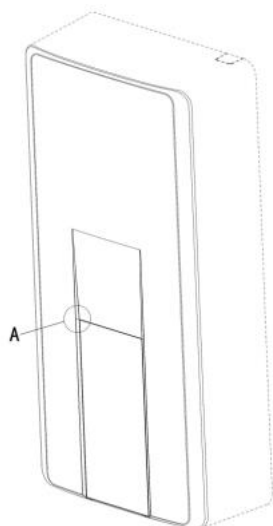
福州路新能源新材料集聚區 5 號辦公樓 3 層西側

[74] 海思國際知識產權有限公司

香港九龍

觀塘道 348 號

宏利廣場 6 樓



[11] 2422634.8

[15] 09-01-2024

[51] Cl. 9-05

[54] 牙膏管

Toothpaste tube

[73] 遠東酒店用品有限公司

Far East Hotel Supplies Company Limited

香港新蒲崗

大有街 32 號

泰力工業中心 7 樓 13 室

[74] 遠東酒店用品有限公司

香港新蒲崗

大有街 32 號

泰力工業中心 7 樓 13 室



[11] 2422708.6

[15] 19-01-2024

[51] Cl. 9-03

[54] 包裝盒

Packaging box

[73] 同溢堂藥業有限公司

中國

福建省漳州市

漳浦縣綏安鎮威惠路 16 號

[74] 天標知識產權代理有限公司

香港九龍尖沙咀

加連威老道 14 號

加連威大廈 4 樓 A 座



---

[11] 2422711.2

[15] 19-01-2024

[30] 20-07-2023 / CA, MC, SG, CH, GB, EU, JP, KR / DM/231 591

[51] Cl. 11-01

[54] 耳環

Earring

[73] Chaumet International S.A.

12, Place Vendôme,

75001 Paris,

France

[74] WENPING PATENT & TRADE MARK AGENT LIMITED

1701 Tung Wai Commercial Building,

111 Gloucester Road,

Hong Kong



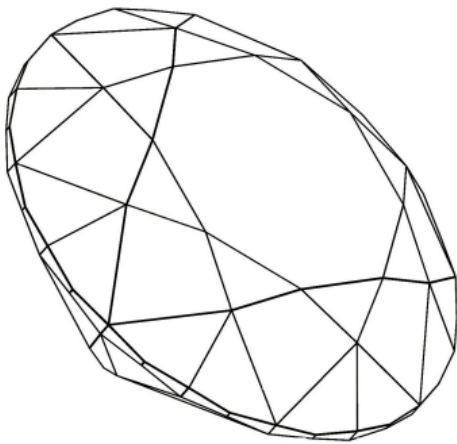
---

[11] 2422713.6

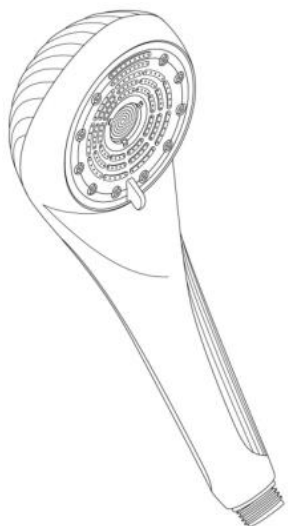
[15] 19-01-2024

[51] Cl. 11-01

- [54] 仿鑽  
Synthetic diamond
- [73] 廣州市天豐珠寶有限公司  
Tin Fung Jewellery Limited (Guangzhou)  
中國廣東省  
廣州市番禺區沙頭街道  
銀建路 34 號二樓
- [74] LISHI INTELLECTUAL PROPERTY GROUP (INTERNATIONAL) LIMITED  
香港九龍觀塘  
興業街 15-17 號  
中美中心 B 座 9 樓 9045 室



- 
- [11] 2422743.9
- [15] 25-01-2024
- [30] 31-07-2023 / JP / 015637 of 2023
- [51] Cl. 23-06
- [54] 淋浴頭  
Shower head
- [73] 株式會社 MTG  
MTG CO., LTD.  
2-32 Honjin-tori, Nakamura-ku,  
Nagoya-shi, Aichi 4530041,  
Japan
- [74] CHINAHONGKONG IP LIMITED  
1502, 15/F, Capital Centre,  
151 Gloucester Road,  
Wanchai, Hong Kong



[11] 2422755.5

[15] 30-01-2024

[51] Cl. 11-01

[54] 心形互扣雙喜、心形和絲帶於兩旁的龍鳳手鐲

Heart shaped double happiness, many heart and ribbon on two side with dragon and phoenix bangle

[73] 皇族首飾批發有限公司

Royalty Jewellery Wholesale Co., Ltd.

香港中環

德輔道中 156-164 號

通用商業大廈 401 室

[74] 皇族首飾批發有限公司

香港中環

德輔道中 156-164

通用商業大廈 401 室



[11] 2422756.7

[15] 30-01-2024

[51] Cl. 11-01

[54] 轉風雙喜花配銀杏葉、龍和鳳在兩旁手鐲

Rotate flower with double happiness, ginkgo leaf, dragon and phoenix on two side bangles

[73] 皇族首飾批發有限公司

Royalty Jewellery Wholesale Co., Ltd.

香港中環

德輔道中 156-164 號

通用商業大廈 401 室

[74] 皇族首飾批發有限公司

香港中環

德輔道中 156-164

通用商業大廈 401 室



---

[11] 2422757.9

[15] 30-01-2024

[51] Cl. 11-01

[54] 百年好合的百合花、百合花和絲帶在兩旁龍鳳手鐲

A happy marriage for a hundred years on lily flowers, lily and ribbon on two side with dragon phoenix bangle

[73] 皇族首飾批發有限公司

Royalty Jewellery Wholesale Co., Ltd.

香港中環

德輔道中 156-164 號

通用商業大廈 401 室

[74] 皇族首飾批發有限公司

香港中環

德輔道中 156-164

通用商業大廈 401 室





[11] 2422758.1

[15] 30-01-2024

[51] Cl. 11-01

[54] 以銀杏葉雙喜在手鐲中央、兩旁是龍和鳳  
Ginkgo leaf with ribbon dragon and phoenix bangles

[73] 皇族首飾批發有限公司  
Royalty Jewellery Wholesale Co., Ltd.  
香港中環  
德輔道中 156-164 號  
通用商業大廈 401 室

[74] 皇族首飾批發有限公司  
香港中環  
德輔道中 156-164  
通用商業大廈 401 室



[11] 2422760.5

[15] 30-01-2024

[51] Cl. 24-99

[54] 牙齦套  
Gingival guard

[73] 現代牙科器材有限公司  
MODERN DENTAL LABORATORY COMPANY LIMITED  
17/F, Ceo Tower,

77 Wing Hong Street, Cheung Sha Wan,  
Kowloon, Hong Kong

- [74] HKIPA LIMITED  
Unit 230, 2/F, Building 12W,  
No. 12 Science Park West Avenue,  
Phase 3, Hong Kong Science Park,  
Pak Shek Kok, New Territories, Hong Kong



---

[11] 2422761.7

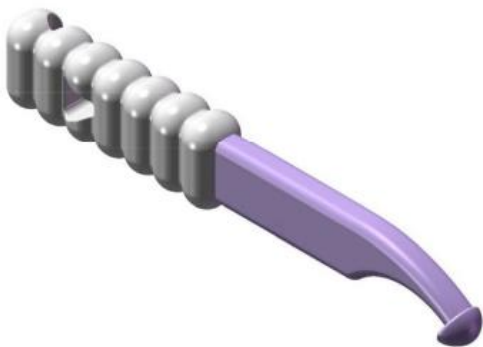
[15] 30-01-2024

[51] Cl. 24-01

[54] 取摘器  
Picking tool

[73] 現代牙科器材有限公司  
MODERN DENTAL LABORATORY COMPANY LIMITED  
17/F, Ceo Tower,  
77 Wing Hong Street, Cheung Sha Wan,  
Kowloon, Hong Kong

[74] HKIPA LIMITED  
Unit 230, 2/F, Building 12W,  
No. 12 Science Park West Avenue,  
Phase 3, Hong Kong Science Park,  
Pak Shek Kok, New Territories, Hong Kong



[11] 2422763.1M001

[15] 30-01-2024

[30] 11-08-2023 / CN / 2023305149506

[51] Cl. 15-05

[54] 洗烘一體機(微型)

Integrated washing and drying machine (miniature)

[73] 北京石頭世紀科技股份有限公司

Beijing Roborock Technology Co., Ltd.

中國北京市

昌平區安居路

17 號院 3 號樓 10 層 1001

[74] 隆天專利商標代理有限公司

香港九龍長沙灣

光昌街 3 號

鴻昌工廠大廈 4 樓 B403 室



[11] 2422763.1M002

[15] 30-01-2024

[30] 11-08-2023 / CN / 2023305149506

[51] Cl. 15-05

[54] 洗烘一體機(微型)

Integrated washing and drying machine (miniature)

[73] 北京石頭世紀科技股份有限公司

Beijing Roborock Technology Co., Ltd.

中國北京市

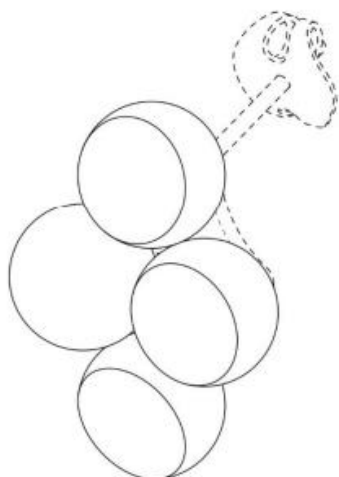
昌平區安居路

17 號院 3 號樓 10 層 1001

- [74] 隆天專利商標代理有限公司  
香港九龍長沙灣  
光昌街 3 號  
鴻昌工廠大廈 4 樓 B403 室



- 
- [11] 2422768.2M001  
[15] 31-01-2024  
[51] Cl. 11-01  
[54] 耳環  
Earring  
[73] TASAKI & Co., Ltd.  
7-3-1 Minatojima Naka-machi,  
Chuo-ku, Kobe,  
Hyogo 650-0046, Japan  
[74] DEACONS  
5th Floor, Alexandra House,  
Central,  
Hong Kong



---

[11] 2422768.2M002

[15] 31-01-2024

[51] Cl. 11-01

[54] 耳環

Earring

[73] TASAKI & Co., Ltd.

7-3-1 Minatojima Naka-machi,

Chuo-ku, Kobe,

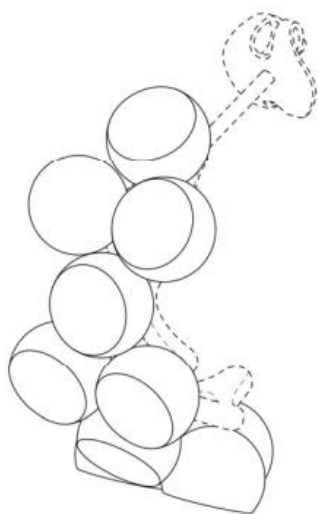
Hyogo 650-0046, Japan

[74] DEACONS

5th Floor, Alexandra House,

Central,

Hong Kong



---

[11] 2422768.2M003

[15] 31-01-2024

[51] Cl. 11-01

[54] 耳環

Earring

[73] TASAKI & Co., Ltd.

7-3-1 Minatojima Naka-machi,

Chuo-ku, Kobe,

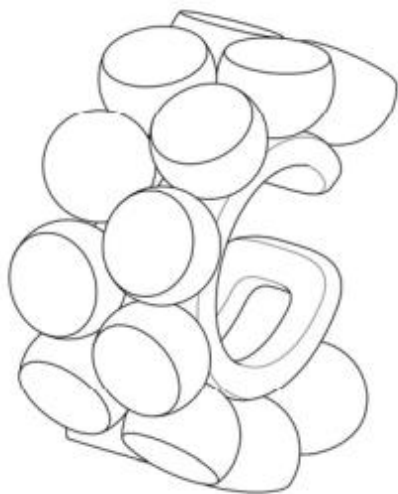
Hyogo 650-0046, Japan

[74] DEACONS

5th Floor, Alexandra House,

Central,

Hong Kong



---

[11] 2422768.2M004

[15] 31-01-2024

[51] Cl. 11-01

[54] 耳環

Earring

[73] TASAKI & Co., Ltd.

7-3-1 Minatojima Naka-machi,

Chuo-ku, Kobe,

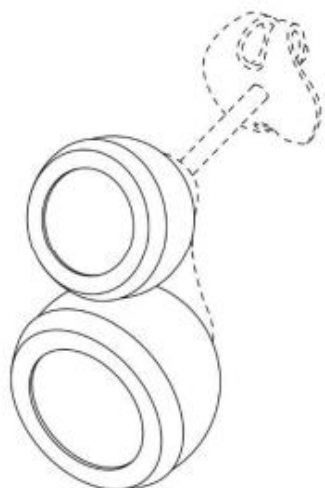
Hyogo 650-0046, Japan

[74] DEACONS

5th Floor, Alexandra House,

Central,

Hong Kong



---

[11] 2422768.2M005

[15] 31-01-2024

[51] Cl. 11-01

[54] 耳環

Earring

[73] TASAKI & Co., Ltd.

7-3-1 Minatojima Naka-machi,

Chuo-ku, Kobe,

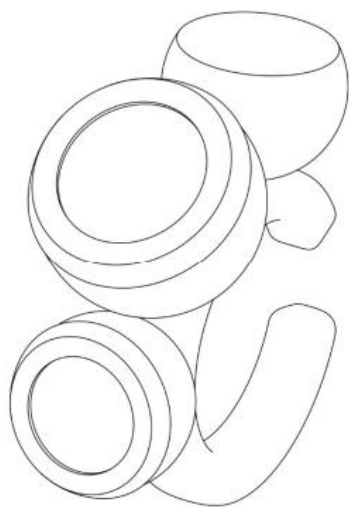
Hyogo 650-0046, Japan

[74] DEACONS

5th Floor, Alexandra House,

Central,

Hong Kong



---

[11] 2422768.2M006

[15] 31-01-2024

[51] Cl. 11-01

[54] 吊墜

Pendant

[73] TASAKI & Co., Ltd.

7-3-1 Minatojima Naka-machi,

Chuo-ku, Kobe,

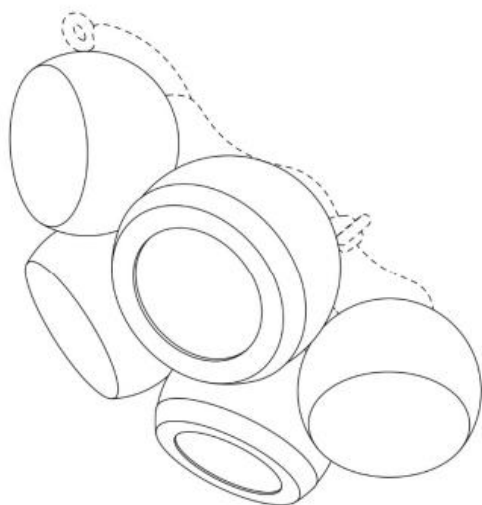
Hyogo 650-0046, Japan

[74] DEACONS

5th Floor, Alexandra House,

Central,

Hong Kong



---

[11] 2422768.2M007

[15] 31-01-2024

[51] Cl. 11-01

[54] 指環

Finger ring

[73] TASAKI & Co., Ltd.

7-3-1 Minatojima Naka-machi,

Chuo-ku, Kobe,

Hyogo 650-0046, Japan

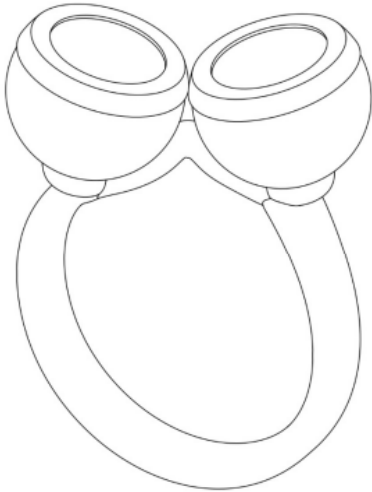
[74] DEACONS

5th Floor, Alexandra House,

Central,

Hong Kong





[11] 2422775.7

[15] 01-02-2024

[51] C1. 9-03

[54] 包裝盒  
Packaging box

[73] 同溢堂藥業有限公司  
中國  
福建省漳州市  
漳浦縣綏安鎮威惠路 16 號

[74] 天標知識產權代理有限公司  
香港九龍尖沙咀  
加連威老道 14 號  
加連威大廈 4 樓 A 座



- [11] 2422786.0M001  
[15] 04-02-2024  
[51] Cl. 11-01  
[54] 珠寶飾品  
Jewellery ornament  
[73] 周大福珠寶金行(深圳)有限公司  
CHOW TAI FOOK JEWELLERY (SHENZHEN) CO., LTD.  
中國廣東省  
深圳市鹽田區深鹽路  
黃金珠寶大廈 12 樓 A 座  
[74] 中一聯合國際知識產權有限公司  
香港九龍尖沙咀  
漆咸道南 45-51 號  
其士大廈 803 室



- 
- [11] 2422786.0M002  
[15] 04-02-2024  
[51] Cl. 11-01  
[54] 珠寶飾品  
Jewellery ornament  
[73] 周大福珠寶金行(深圳)有限公司  
CHOW TAI FOOK JEWELLERY (SHENZHEN) CO., LTD.  
中國廣東省  
深圳市鹽田區深鹽路  
黃金珠寶大廈 12 樓 A 座  
[74] 中一聯合國際知識產權有限公司  
香港九龍尖沙咀  
漆咸道南 45-51 號  
其士大廈 803 室



---

[11] 2422786.0M003

[15] 04-02-2024

[51] Cl. 11-01

[54] 珠寶飾品

Jewellery ornament

[73] 周大福珠寶金行(深圳)有限公司

CHOW TAI FOOK JEWELLERY (SHENZHEN) CO., LTD.

中國廣東省

深圳市鹽田區深鹽路

黃金珠寶大廈 12 樓 A 座

[74] 中一聯合國際知識產權有限公司

香港九龍尖沙咀

漆咸道南 45-51 號

其士大廈 803 室



---

[11] 2422786.0M004

[15] 04-02-2024

[51] Cl. 11-01

- [54] 珠寶飾品  
Jewellery ornament
- [73] 周大福珠寶金行(深圳)有限公司  
CHOW TAI FOOK JEWELLERY (SHENZHEN) CO., LTD.  
中國廣東省  
深圳市鹽田區深鹽路  
黃金珠寶大廈 12 樓 A 座
- [74] 中一聯合國際知識產權有限公司  
香港九龍尖沙咀  
漆咸道南 45-51 號  
其士大廈 803 室



- 
- [11] 2422786.0M005
- [15] 04-02-2024
- [51] Cl. 11-01
- [54] 珠寶飾品  
Jewellery ornament
- [73] 周大福珠寶金行(深圳)有限公司  
CHOW TAI FOOK JEWELLERY (SHENZHEN) CO., LTD.  
中國廣東省  
深圳市鹽田區深鹽路  
黃金珠寶大廈 12 樓 A 座
- [74] 中一聯合國際知識產權有限公司  
香港九龍尖沙咀  
漆咸道南 45-51 號  
其士大廈 803 室



---

[11] 2422786.0M006

[15] 04-02-2024

[51] Cl. 11-01

[54] 珠寶飾品

Jewellery ornament

[73] 周大福珠寶金行(深圳)有限公司

CHOW TAI FOOK JEWELLERY (SHENZHEN) CO., LTD.

中國廣東省

深圳市鹽田區深鹽路

黃金珠寶大廈 12 樓 A 座

[74] 中一聯合國際知識產權有限公司

香港九龍尖沙咀

漆咸道南 45-51 號

其士大廈 803 室



---

[11] 2422786.0M007

[15] 04-02-2024

[51] Cl. 11-01

[54] 珠寶飾品

Jewellery ornament

- [73] 周大福珠寶金行(深圳)有限公司  
CHOW TAI FOOK JEWELLERY (SHENZHEN) CO., LTD.  
中國廣東省  
深圳市鹽田區深鹽路  
黃金珠寶大廈 12 樓 A 座
- [74] 中一聯合國際知識產權有限公司  
香港九龍尖沙咀  
漆咸道南 45-51 號  
其士大廈 803 室



- 
- [11] 2422786.0M008
- [15] 04-02-2024
- [51] Cl. 11-01
- [54] 珠寶飾品  
Jewellery ornament
- [73] 周大福珠寶金行(深圳)有限公司  
CHOW TAI FOOK JEWELLERY (SHENZHEN) CO., LTD.  
中國廣東省  
深圳市鹽田區深鹽路  
黃金珠寶大廈 12 樓 A 座
- [74] 中一聯合國際知識產權有限公司  
香港九龍尖沙咀  
漆咸道南 45-51 號  
其士大廈 803 室



---

[11] 2422786.0M009

[15] 04-02-2024

[51] Cl. 11-01

[54] 珠寶飾品

Jewellery ornament

[73] 周大福珠寶金行(深圳)有限公司

CHOW TAI FOOK JEWELLERY (SHENZHEN) CO., LTD.

中國廣東省

深圳市鹽田區深鹽路

黃金珠寶大廈 12 樓 A 座

[74] 中一聯合國際知識產權有限公司

香港九龍尖沙咀

漆咸道南 45-51 號

其士大廈 803 室



---

[11] 2422786.0M010

[15] 04-02-2024

[51] Cl. 11-01

[54] 珠寶飾品

Jewellery ornament

[73] 周大福珠寶金行(深圳)有限公司

CHOW TAI FOOK JEWELLERY (SHENZHEN) CO., LTD.

中國廣東省  
深圳市鹽田區深鹽路  
黃金珠寶大廈 12 樓 A 座

[74] 中一聯合國際知識產權有限公司  
香港九龍尖沙咀  
漆咸道南 45-51 號  
其士大廈 803 室



---

[11] 2422786.0M011

[15] 04-02-2024

[51] Cl. 11-01

[54] 珠寶飾品  
Jewellery ornament

[73] 周大福珠寶金行(深圳)有限公司  
CHOW TAI FOOK JEWELLERY (SHENZHEN) CO., LTD.  
中國廣東省  
深圳市鹽田區深鹽路  
黃金珠寶大廈 12 樓 A 座

[74] 中一聯合國際知識產權有限公司  
香港九龍尖沙咀  
漆咸道南 45-51 號  
其士大廈 803 室





---

[11] 2422786.0M012

[15] 04-02-2024

[51] Cl. 11-01

[54] 珠寶飾品

Jewellery ornament

[73] 周大福珠寶金行(深圳)有限公司

CHOW TAI FOOK JEWELLERY (SHENZHEN) CO., LTD.

中國廣東省

深圳市鹽田區深鹽路

黃金珠寶大廈 12 樓 A 座

[74] 中一聯合國際知識產權有限公司

香港九龍尖沙咀

漆咸道南 45-51 號

其士大廈 803 室



[11] 2422786.0M013

[15] 04-02-2024

[51] Cl. 11-01

[54] 珠寶飾品

Jewellery ornament

[73] 周大福珠寶金行(深圳)有限公司

CHOW TAI FOOK JEWELLERY (SHENZHEN) CO., LTD.

中國廣東省

深圳市鹽田區深鹽路

黃金珠寶大廈 12 樓 A 座

[74] 中一聯合國際知識產權有限公司

香港九龍尖沙咀

漆咸道南 45-51 號

其士大廈 803 室



[11] 2422786.0M014

[15] 04-02-2024

[51] Cl. 11-01

[54] 珠寶飾品

Jewellery ornament

[73] 周大福珠寶金行(深圳)有限公司

CHOW TAI FOOK JEWELLERY (SHENZHEN) CO., LTD.

中國廣東省

深圳市鹽田區深鹽路

黃金珠寶大廈 12 樓 A 座

[74] 中一聯合國際知識產權有限公司

香港九龍尖沙咀

漆咸道南 45-51 號

其士大廈 803 室



---

[11] 2422786.0M015

[15] 04-02-2024

[51] Cl. 11-01

[54] 珠寶飾品

Jewellery ornament

[73] 周大福珠寶金行(深圳)有限公司

CHOW TAI FOOK JEWELLERY (SHENZHEN) CO., LTD.

中國廣東省

深圳市鹽田區深鹽路

黃金珠寶大廈 12 樓 A 座

[74] 中一聯合國際知識產權有限公司

香港九龍尖沙咀

漆咸道南 45-51 號

其士大廈 803 室



---

[11] 2422786.0M016

[15] 04-02-2024

[51] Cl. 11-01

[54] 珠寶飾品

Jewellery ornament

[73] 周大福珠寶金行(深圳)有限公司

CHOW TAI FOOK JEWELLERY (SHENZHEN) CO., LTD.

中國廣東省

深圳市鹽田區深鹽路

黃金珠寶大廈 12 樓 A 座

[74] 中一聯合國際知識產權有限公司

香港九龍尖沙咀

漆咸道南 45-51 號

其士大廈 803 室



[11] 2422786.0M017

[15] 04-02-2024

[51] Cl. 11-01

[54] 珠寶飾品

Jewellery ornament

[73] 周大福珠寶金行(深圳)有限公司

CHOW TAI FOOK JEWELLERY (SHENZHEN) CO., LTD.

中國廣東省

深圳市鹽田區深鹽路

黃金珠寶大廈 12 樓 A 座

[74] 中一聯合國際知識產權有限公司

香港九龍尖沙咀

漆咸道南 45-51 號

其士大廈 803 室



[11] 2422786.0M018

[15] 04-02-2024

[51] Cl. 11-01

[54] 珠寶飾品

Jewellery ornament

[73] 周大福珠寶金行(深圳)有限公司

CHOW TAI FOOK JEWELLERY (SHENZHEN) CO., LTD.

中國廣東省

深圳市鹽田區深鹽路

黃金珠寶大廈 12 樓 A 座

[74] 中一聯合國際知識產權有限公司

香港九龍尖沙咀

漆咸道南 45-51 號

其士大廈 803 室



---

[11] 2422786.0M019

[15] 04-02-2024

[51] Cl. 11-01

[54] 珠寶飾品

Jewellery ornament

[73] 周大福珠寶金行(深圳)有限公司

CHOW TAI FOOK JEWELLERY (SHENZHEN) CO., LTD.

中國廣東省

深圳市鹽田區深鹽路

黃金珠寶大廈 12 樓 A 座

[74] 中一聯合國際知識產權有限公司

香港九龍尖沙咀

漆咸道南 45-51 號

其士大廈 803 室



---

[11] 2422786.0M020

[15] 04-02-2024

[51] Cl. 11-01

[54] 珠寶飾品  
Jewellery ornament

[73] 周大福珠寶金行(深圳)有限公司  
CHOW TAI FOOK JEWELLERY (SHENZHEN) CO., LTD.  
中國廣東省  
深圳市鹽田區深鹽路  
黃金珠寶大廈 12 樓 A 座

[74] 中一聯合國際知識產權有限公司  
香港九龍尖沙咀  
漆咸道南 45-51 號  
其士大廈 803 室



---

[11] 2422786.0M021

[15] 04-02-2024

[51] Cl. 11-01

[54] 珠寶飾品  
Jewellery ornament

[73] 周大福珠寶金行(深圳)有限公司  
CHOW TAI FOOK JEWELLERY (SHENZHEN) CO., LTD.  
中國廣東省  
深圳市鹽田區深鹽路  
黃金珠寶大廈 12 樓 A 座

[74] 中一聯合國際知識產權有限公司  
香港九龍尖沙咀  
漆咸道南 45-51 號  
其士大廈 803 室



---

[11] 2422786.0M022

[15] 04-02-2024

[51] Cl. 11-01

[54] 珠寶飾品

Jewellery ornament

[73] 周大福珠寶金行(深圳)有限公司

CHOW TAI FOOK JEWELLERY (SHENZHEN) CO., LTD.

中國廣東省

深圳市鹽田區深鹽路

黃金珠寶大廈 12 樓 A 座

[74] 中一聯合國際知識產權有限公司

香港九龍尖沙咀

漆咸道南 45-51 號

其士大廈 803 室



---

[11] 2422786.0M023

[15] 04-02-2024



[51] Cl. 11-01

[54] 珠寶飾品  
Jewellery ornament

[73] 周大福珠寶金行(深圳)有限公司  
CHOW TAI FOOK JEWELLERY (SHENZHEN) CO., LTD.  
中國廣東省  
深圳市鹽田區深鹽路  
黃金珠寶大廈 12 樓 A 座

[74] 中一聯合國際知識產權有限公司  
香港九龍尖沙咀  
漆咸道南 45-51 號  
其士大廈 803 室



---

[11] 2422786.0M024

[15] 04-02-2024

[51] Cl. 11-01

[54] 珠寶飾品  
Jewellery ornament

[73] 周大福珠寶金行(深圳)有限公司  
CHOW TAI FOOK JEWELLERY (SHENZHEN) CO., LTD.  
中國廣東省  
深圳市鹽田區深鹽路  
黃金珠寶大廈 12 樓 A 座

[74] 中一聯合國際知識產權有限公司  
香港九龍尖沙咀  
漆咸道南 45-51 號  
其士大廈 803 室



---

[11] 2422786.0M025

[15] 04-02-2024

[51] Cl. 11-01

[54] 珠寶飾品

Jewellery ornament

[73] 周大福珠寶金行(深圳)有限公司

CHOW TAI FOOK JEWELLERY (SHENZHEN) CO., LTD.

中國廣東省

深圳市鹽田區深鹽路

黃金珠寶大廈 12 樓 A 座

[74] 中一聯合國際知識產權有限公司

香港九龍尖沙咀

漆咸道南 45-51 號

其士大廈 803 室



- [11] 2422786.0M026
- [15] 04-02-2024
- [51] Cl. 11-01
- [54] 珠寶飾品  
Jewellery ornament
- [73] 周大福珠寶金行(深圳)有限公司  
CHOW TAI FOOK JEWELLERY (SHENZHEN) CO., LTD.  
中國廣東省  
深圳市鹽田區深鹽路  
黃金珠寶大廈 12 樓 A 座
- [74] 中一聯合國際知識產權有限公司  
香港九龍尖沙咀  
漆咸道南 45-51 號  
其士大廈 803 室



- 
- [11] 2422786.0M027
- [15] 04-02-2024
- [51] Cl. 11-01
- [54] 珠寶飾品  
Jewellery ornament
- [73] 周大福珠寶金行(深圳)有限公司  
CHOW TAI FOOK JEWELLERY (SHENZHEN) CO., LTD.  
中國廣東省  
深圳市鹽田區深鹽路  
黃金珠寶大廈 12 樓 A 座
- [74] 中一聯合國際知識產權有限公司  
香港九龍尖沙咀  
漆咸道南 45-51 號  
其士大廈 803 室



[11] 2422786.0M028

[15] 04-02-2024

[51] Cl. 11-01

[54] 珠寶飾品

Jewellery ornament

[73] 周大福珠寶金行(深圳)有限公司

CHOW TAI FOOK JEWELLERY (SHENZHEN) CO., LTD.

中國廣東省

深圳市鹽田區深鹽路

黃金珠寶大廈 12 樓 A 座

[74] 中一聯合國際知識產權有限公司

香港九龍尖沙咀

漆咸道南 45-51 號

其士大廈 803 室



[11] 2422786.0M029

[15] 04-02-2024

[51] Cl. 11-01

[54] 珠寶飾品

Jewellery ornament

[73] 周大福珠寶金行(深圳)有限公司

CHOW TAI FOOK JEWELLERY (SHENZHEN) CO., LTD.

中國廣東省

深圳市鹽田區深鹽路

黃金珠寶大廈 12 樓 A 座

[74] 中一聯合國際知識產權有限公司

香港九龍尖沙咀

漆咸道南 45-51 號

其士大廈 803 室



[11] 2422786.0M030

[15] 04-02-2024

[51] Cl. 11-01

[54] 珠寶飾品

Jewellery ornament

[73] 周大福珠寶金行(深圳)有限公司

CHOW TAI FOOK JEWELLERY (SHENZHEN) CO., LTD.

中國廣東省

深圳市鹽田區深鹽路

黃金珠寶大廈 12 樓 A 座

[74] 中一聯合國際知識產權有限公司

香港九龍尖沙咀

漆咸道南 45-51 號

其士大廈 803 室



---

[11] 2422786.0M031

[15] 04-02-2024

[51] Cl. 11-01

[54] 珠寶飾品  
Jewellery ornament

[73] 周大福珠寶金行(深圳)有限公司  
CHOW TAI FOOK JEWELLERY (SHENZHEN) CO., LTD.  
中國廣東省  
深圳市鹽田區深鹽路  
黃金珠寶大廈 12 樓 A 座

[74] 中一聯合國際知識產權有限公司  
香港九龍尖沙咀  
漆咸道南 45-51 號  
其士大廈 803 室



[11] 2422786.0M032

[15] 04-02-2024

[51] Cl. 11-01

[54] 珠寶飾品

Jewellery ornament

[73] 周大福珠寶金行(深圳)有限公司

CHOW TAI FOOK JEWELLERY (SHENZHEN) CO., LTD.

中國廣東省

深圳市鹽田區深鹽路

黃金珠寶大廈 12 樓 A 座

[74] 中一聯合國際知識產權有限公司

香港九龍尖沙咀

漆咸道南 45-51 號

其士大廈 803 室



[11] 2422788.4M001

[15] 04-02-2024

[51] Cl. 11-01

[54] 珠寶飾品

Jewellery ornament

[73] 周大福珠寶金行(深圳)有限公司

CHOW TAI FOOK JEWELLERY (SHENZHEN) CO., LTD.

中國廣東省

深圳市鹽田區深鹽路

黃金珠寶大廈 12 樓 A 座

[74] 中一聯合國際知識產權有限公司

香港九龍尖沙咀

漆咸道南 45-51 號

其士大廈 803 室



---

[11] 2422788.4M002

[15] 04-02-2024

[51] Cl. 11-01

[54] 珠寶飾品  
Jewellery ornament

[73] 周大福珠寶金行(深圳)有限公司  
CHOW TAI FOOK JEWELLERY (SHENZHEN) CO., LTD.  
中國廣東省  
深圳市鹽田區深鹽路  
黃金珠寶大廈 12 樓 A 座

[74] 中一聯合國際知識產權有限公司  
香港九龍尖沙咀  
漆咸道南 45-51 號  
其士大廈 803 室





[11] 2422788.4M003

[15] 04-02-2024

[51] Cl. 11-01

[54] 珠寶飾品

Jewellery ornament

[73] 周大福珠寶金行(深圳)有限公司

CHOW TAI FOOK JEWELLERY (SHENZHEN) CO., LTD.

中國廣東省

深圳市鹽田區深鹽路

黃金珠寶大廈 12 樓 A 座

[74] 中一聯合國際知識產權有限公司

香港九龍尖沙咀

漆咸道南 45-51 號

其士大廈 803 室



[11] 2422788.4M004

[15] 04-02-2024

[51] Cl. 11-01

[54] 珠寶飾品

Jewellery ornament

[73] 周大福珠寶金行(深圳)有限公司

CHOW TAI FOOK JEWELLERY (SHENZHEN) CO., LTD.

中國廣東省

深圳市鹽田區深鹽路

黃金珠寶大廈 12 樓 A 座

[74] 中一聯合國際知識產權有限公司

香港九龍尖沙咀

漆咸道南 45-51 號  
其士大廈 803 室



---

[11] 2422788.4M005

[15] 04-02-2024

[51] Cl. 11-01

[54] 珠寶飾品

Jewellery ornament

[73] 周大福珠寶金行(深圳)有限公司

CHOW TAI FOOK JEWELLERY (SHENZHEN) CO., LTD.

中國廣東省

深圳市鹽田區深鹽路

黃金珠寶大廈 12 樓 A 座

[74] 中一聯合國際知識產權有限公司

香港九龍尖沙咀

漆咸道南 45-51 號

其士大廈 803 室



[11] 2422789.6M001

[15] 05-02-2024

[30] 08-08-2023 / CN / 2023305038791

[51] Cl. 28-03

[54] 皮膚處理儀

Skin treatment equipment

[73] 深圳由萊智能電子有限公司

SHENZHEN ULIKE SMART ELECTRONICS CO., LTD.

中國廣東省深圳市南山區

粵海街道科技園社區科苑路 8 號

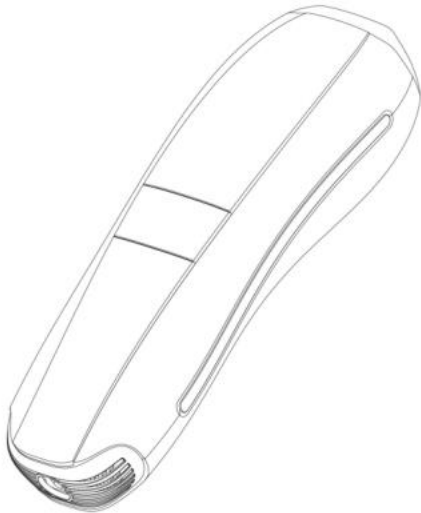
訊美科技廣場 1 號樓 810

[74] 高保知識產權代理有限公司

香港荃灣

白田壩街 36-44 號

信義工業大廈 9 樓



---

[11] 2422789.6M002

[15] 05-02-2024

[30] 08-08-2023 / CN / 2023305038791

[51] Cl. 28-03

[54] 皮膚處理儀

Skin treatment equipment

[73] 深圳由萊智能電子有限公司

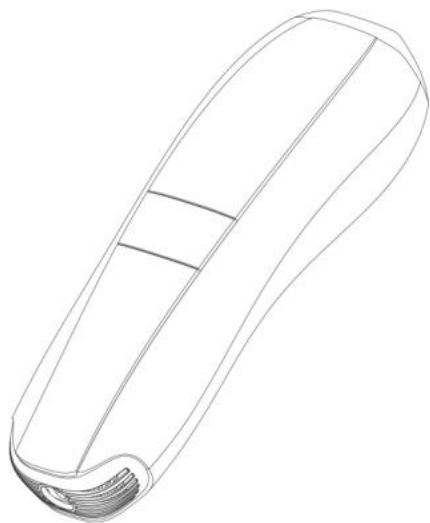
SHENZHEN ULIKE SMART ELECTRONICS CO., LTD.

中國廣東省深圳市南山區

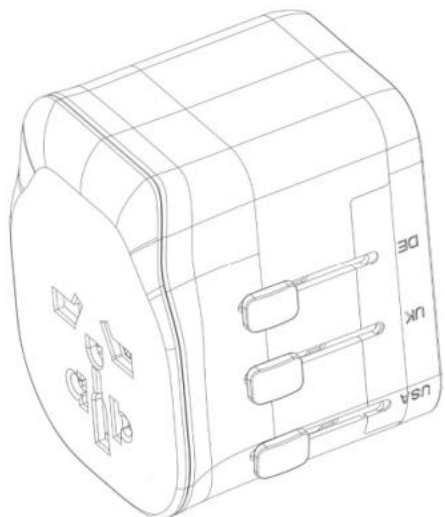
粵海街道科技園社區科苑路 8 號

訊美科技廣場 1 號樓 810

- [74] 高保知識產權代理有限公司  
香港荃灣  
白田壩街 36-44 號  
信義工業大廈 9 樓



- 
- [11] 2422790.8M001  
[15] 05-02-2024  
[30] 06-09-2023 / CN / 202330576317.X  
[51] C1. 13-03  
[54] 插座  
Power socket  
[73] 東莞市佳旅電器有限公司  
Dongguan Best Travel Electronics Co.,Ltd.  
中國廣東東莞  
長安鎮上角社區銅古中路 6 號  
B 棟四樓 402  
[74] 旻貝國際知識產權代理有限公司  
香港新界白石角  
香港科學園第三期  
科技大道西 12 號 2 樓 230 室



[11] 2422790.8M002

[15] 05-02-2024

[30] 06-09-2023 / CN / 202330576317.X

[51] C1. 13-03

[54] 插座

Power socket

[73] 東莞市佳旅電器有限公司

Dongguan Best Travel Electronics Co.,Ltd.

中國廣東東莞

長安鎮上角社區銅古中路 6 號

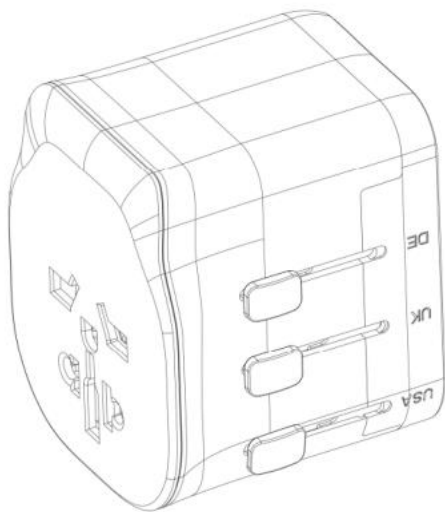
B 棟四樓 402

[74] 旒貝國際知識產權代理有限公司

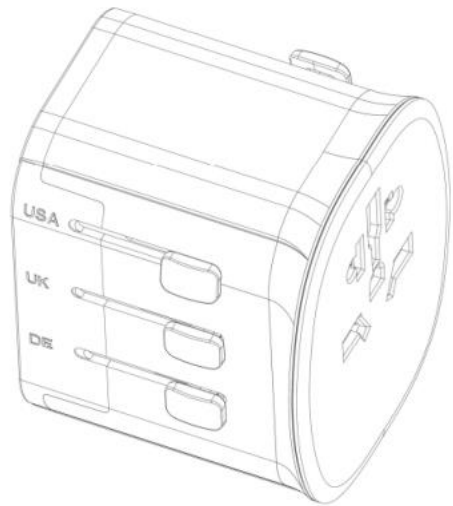
香港新界白石角

香港科學園第三期

科技大道西 12 號 2 樓 230 室

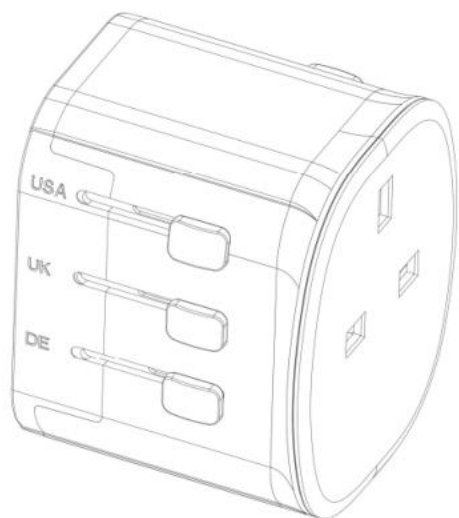


- [11] 2422790.8M003  
[15] 05-02-2024  
[30] 06-09-2023 / CN / 202330576317.X  
[51] C1. 13-03  
[54] 插座  
Power socket  
[73] 東莞市佳旅電器有限公司  
Dongguan Best Travel Electronics Co.,Ltd.  
中國廣東東莞  
長安鎮上角社區銅古中路 6 號  
B 棟四樓 402  
[74] 旻貝國際知識產權代理有限公司  
香港新界白石角  
香港科學園第三期  
科技大道西 12 號 2 樓 230 室

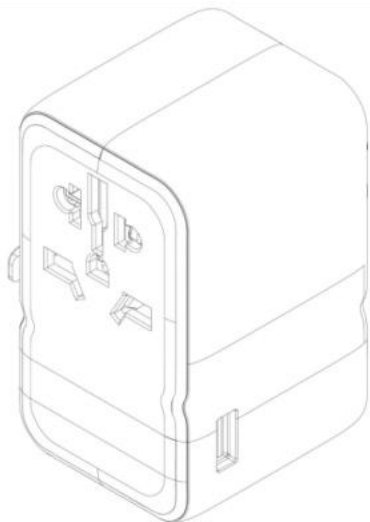


- 
- [11] 2422790.8M004  
[15] 05-02-2024  
[30] 06-09-2023 / CN / 202330576317.X  
[51] C1. 13-03  
[54] 插座  
Power socket  
[73] 東莞市佳旅電器有限公司  
Dongguan Best Travel Electronics Co.,Ltd.  
中國廣東東莞  
長安鎮上角社區銅古中路 6 號  
B 棟四樓 402

- [74] 旻貝國際知識產權代理有限公司  
香港新界白石角  
香港科學園第三期  
科技大道西 12 號 2 樓 230 室



- 
- [11] 2422790.8M005  
[15] 05-02-2024  
[30] 28-09-2023 / CN / 202330640162.1  
[51] C1. 13-03  
[54] 插座  
Power socket  
[73] 東莞市佳旅電器有限公司  
Dongguan Best Travel Electronics Co.,Ltd.  
中國廣東東莞  
長安鎮上角社區銅古中路 6 號  
B 棟四樓 402  
[74] 旻貝國際知識產權代理有限公司  
香港新界白石角  
香港科學園第三期  
科技大道西 12 號 2 樓 230 室



---

[11] 2422793.4

[15] 06-02-2024

[51] Cl. 6-01

[54] 巴士座椅的表面圖案

Surface pattern for bus seats

[73] CITYBUS LIMITED

8 Chong Fu Road,

Chai Wan, Hong Kong

[74] ELLALAN

26th - 28th Floors, The Hennessy,

256 Hennessy Road,

Wanchai, Hong Kong



---

[11] 2422794.6

[15] 06-02-2024

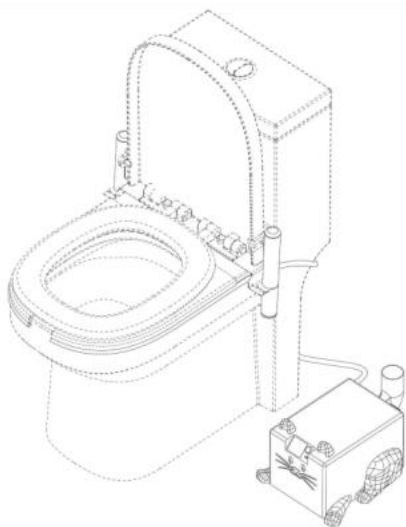
[51] Cl. 23-07



[54] 馬桶的消毒裝置  
Sterilizers for water closet

[73] 鄭文娥  
Corina Man Ngo CHENG  
香港新界荃灣西  
永順街 51 號  
柏傲灣 1A 座 5 樓 D 室

[74] 卓遠知識產權有限公司  
香港上環  
禧利街 27 號  
富輝商業中心 10 樓





香港特別行政區政府知識產權署外觀設計註冊處

The Government of the Hong Kong Special Administrative Region

Designs Registry, Intellectual Property Department

根據註冊外觀設計條例第 28 條，下列註冊外觀設計因未繳續期費而停止有效。

各組記項按註冊外觀設計停止有效日期及註冊編號先後次序排列。

**Registered designs ceased through non-payment of renewal fees under section 28 of the Registered Designs Ordinance. Entries are listed below under their expiry dates.**

**08-02-2024 - 14-02-2024****08-02-2024**

0900197.5

**09-02-2024**

0900206.6M001

0900206.6M002

1400216.4

1400217.6

1400218.8

1400219.0

1400220.2

**10-02-2024**

0900207.8

1400124.8

1400226.5M001

1400226.5M004

1400226.5M005

1400226.5M006

1400226.5M007

1400226.5M008

1400226.5M009

1400226.5M010

1400226.5M011

1400226.5M012

1400226.5M013

1400226.5M014

1400226.5M015

1400226.5M016

1400226.5M017

1400226.5M018

1400235.4

1913030.9

**11-02-2024**

0410285.9

0410291.1M006

1913031.1

**12-02-2024**

0900229.4

0900230.6

1913036.2

**13-02-2024**

1400254.3

1400255.6

1400256.8M001

1400256.8M002

1400256.8M003

1400256.8M004

1400256.8M005

1400259.4

1400261.8

**14-02-2024**

1913041.2M001

1913041.2M002

1913041.2M003

1913042.4

1913045.1M001

1913045.1M002



香港特別行政區政府知識產權署外觀設計註冊處

The Government of the Hong Kong Special Administrative Region

Designs Registry, Intellectual Property Department

根據註冊外觀設計規則第 31 條刪除的註冊外觀設計。各組記項按註冊外觀設計刪除日期及註冊編號先後次序排列。

**Registered designs removed under section 31 of the Registered Designs Rules. Entries are listed below under their removal dates.**

**16-02-2024 - 22-02-2024**

<b>16-02-2024</b>	1301380.0	1801661.2M005
1301370.9	1801653.5M001	1801661.2M006
1301371.1	1801653.5M002	1801662.4
1801638.4	1801653.5M003	1801663.6
1801639.6	1801653.5M004	1801664.8
1801640.8	1801653.5M005	1801665.1
1801641.0	1801653.5M006	
1801642.2M001	1801653.5M007	<b>22-02-2024</b>
1801642.2M002	1801653.5M008	0311327.9
1801642.2M003	1801653.5M009	1301396.4
1801643.4	1801653.5M010	1301397.6
	1801653.5M011	1301399.0M001
<b>17-02-2024</b>	1801653.5M012	1301399.0M002
1801647.3M001	1801653.5M013	1801670.1
1801647.3M002	1801654.7	1801671.3
1801649.7	1801657.4	1801677.6
1801651.1		
	<b>21-02-2024</b>	
<b>19-02-2024</b>	0802034.1M001	
1301373.5M001	0802034.1M002	
1301373.5M002	0802034.1M003	
1301373.5M003	0802034.1M004	
1301373.5M004	0802034.1M005	
	1301386.3	
<b>20-02-2024</b>	1301387.5	
0802023.8M007	1400162.8	
0802023.8M008	1801648.5M001	
0802023.8M009	1801648.5M002	
0802023.8M010	1801648.5M003	
0802026.5M001	1801648.5M004	
0802026.5M002	1801661.2M001	
0802026.5M003	1801661.2M002	
0802028.9	1801661.2M003	
1301379.8	1801661.2M004	



香港特別行政區政府知識產權署外觀設計註冊處

The Government of the Hong Kong Special Administrative Region

Designs Registry, Intellectual Property Department

## 勘誤

### CORRIGENDUM

已在官方公報刊登的外觀設計公告內的註冊擁有人地址更正如下:

**The following show the corrected register owner's address advertisement previously published in the official journal:**

官方公報日期 Official journal date 16.02.2024

[11] 2422687.0M001

[73] 香港九龍荔枝角 青山道 696 號 時采中心 4 樓 401 室

[11] 2422687.0M002

[73] 香港九龍荔枝角 青山道 696 號 時采中心 4 樓 401 室

[11] 2422687.0M003

[73] 香港九龍荔枝角 青山道 696 號 時采中心 4 樓 401 室