

香港知識產權公報

Hong Kong Intellectual Property Journal

2024年8月16日

16 August 2024



目錄 Contents

根據註冊外觀設計條例第 25 條註冊的外觀設計

Designs Registered under section 25 of the Registered Designs Ordinance

按註冊編號排列

Arranged by Registration Number

根據註冊外觀設計條例(第 522 章)公布的其他公告

Other Notices Published under the Registered Designs Ordinance (Cap. 522)

根據註冊外觀設計條例第 28 條，註冊外觀設計因未繳續期費而停止有效

Registered designs ceased through non-payment of renewal fees under section 28 of the Registered Designs Ordinance

根據註冊外觀設計規則第 31 條刪除的註冊外觀設計

Registered designs removed under section 31 of the Registered Designs Rules

根據註冊外觀設計條例第 76 條，更正已提交文件中的錯誤

Correction of errors in filed documents under section 76 of the Registered Designs Ordinance

以下事項沒有記錄

No Records for the Following Matters

根據註冊外觀設計條例第 30 條放棄的外觀設計的註冊

Surrender of Registration of Design under section 30 of the Registered Designs Ordinance

根據註冊外觀設計規則第 37 條，向處長作出轉介

Reference to Registrar under section 37 of the Registered Designs Rules

根據註冊外觀設計條例第 45 條，撤銷註冊

Revocation of Registration under section 45 of the Registered Designs Ordinance

根據註冊外觀設計規則第 46 條，向法院作出轉介

Reference to Court under section 46 of the Registered Designs Rules

根據註冊外觀設計規則第 63 條對不符合規定之處作出糾正

Rectification of Irregularities under section 63 of the Registered Designs Rules

根據註冊外觀設計條例第 66 條，糾正註冊紀錄冊

Rectification of Register under section 66 of the Registered Designs Ordinance

根據註冊外觀設計條例第 67 條 更正註冊紀錄冊內的錯誤

Correction of errors in Register under section 67 of the Registered Designs Ordinance

根據註冊外觀設計條例第 67 及 76 條，更正註冊紀錄冊內及已提交文件中的錯誤

Correction of Errors in Register and in Filed Documents under sections 67 and 76 of the Registered Designs Ordinance

勘誤

Corrigendum

註冊外觀設計公告註釋

Notes on advertisements of registration of designs

方括號表示下列資料：

Square brackets indicate the following data：

[11] 註冊編號 Registration number / 聯合王國註冊編號 United Kingdom registration number

[15] 註冊日期 Registration date / 當作註冊日期 Deemed registration date / 聯合王國註冊日期 United Kingdom registration date

[17] 註冊有效期屆滿日期 Expiry date of the period of registration

[22] 提交日期 Filing date / 當作提交日期 Deemed filing date / 聯合王國提交日期 United Kingdom filing date

[30] 聲稱享有的優先權（提交日期 / 巴黎公約國或世界貿易組織成員 / 申請編號） Priority claimed (filing date / Paris Convention country or WTO member / application number)

[51] 國際外觀設計分類號（洛迦諾分類號） International Classification of designs (Locarno Classification)

[54] 物品 Article

[55] 外觀設計的表述 Representation of the design

[62] 分開前的申請編號及提交日期 Application number before division and filing date

[66] 過往註冊的聯繫外觀設計註冊編號 / 日期 Registration No. / Date of Previous Registration for Association

[72] 設計人 Designer

[73] 擁有人姓名和地址 Name and address of the owner

[74] 代理人 Agent / 送達地址 Address for service



香港特別行政區政府知識產權署外觀設計註冊處
The Government of the Hong Kong Special Administrative Region
Designs Registry, Intellectual Property Department

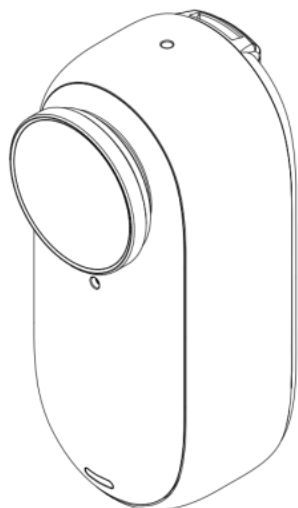
根據註冊外觀設計條例第 25 條註冊的外觀設計

Designs registered under section 25 of the Registered Designs Ordinance

按註冊編號排列

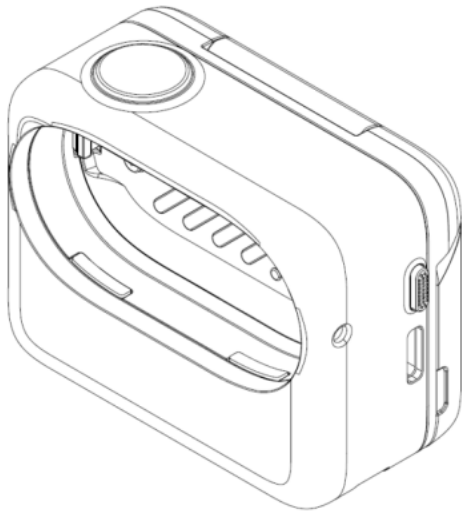
Arranged by Registration Number

- [11] 2321732.4
- [15] 18-07-2023
- [30] 18-01-2023 / CN / 202330026280.3
- [51] Cl. 16-01
- [54] 穿戴式相機
Wearable camera
- [73] 影石創新科技股份有限公司
ARASHI VISION INC.
中國廣東省深圳市
寶安區新安街道海旺社區興業路 1100 號
金利通金融中心大廈 2 棟 1101, 1102, 1103
- [74] 卓遠知識產權有限公司
香港上環
禧利街 27 號
富輝商業中心 10 樓



-
- [11] 2321733.6

- [15] 18-07-2023
- [30] 18-01-2023 / CN / 202330027749.5
- [51] Cl. 13-02
- [54] 充電盒
Charging case
- [73] 影石創新科技股份有限公司
ARASHI VISION INC.
中國廣東省深圳市
寶安區新安街道海旺社區興業路 1100 號
金利通金融中心大廈 2 棟 1101, 1102, 1103
- [74] 卓遠知識產權有限公司
香港上環
禧利街 27 號
富輝商業中心 10 樓



-
- [11] 2422690.6M001
- [15] 17-01-2024
- [30] 18-07-2023 / CA, MX, CN, SG, CH, TR, GB, US, EU, JP, KR /
DM/230462
- [51] Cl. 24-02
- [54] 移液管
Pipette
- [73] Eppendorf SE
Barkhausenweg 1,
22339 Hamburg,
Germany
- [74] CLT PATENT & TRADEMARK (H.K.) LIMITED
Unit 09, 34/F., Office Tower, Convention Plaza,

1 Harbour Road,
Wanchai, Hong Kong



[11] 2422690.6M002

[15] 17-01-2024

[30] 18-07-2023 / CA, MX, CN, SG, CH, TR, GB, US, EU, JP, KR /
DM/230 462

[51] Cl. 24-02

[54] 移液管釋放按鈕的局部設計
Partial design of pipette release button

[73] Eppendorf SE
Barkhausenweg 1,
22339 Hamburg,
Germany

[74] CLT PATENT & TRADEMARK (H.K.) LIMITED
Unit 09, 34/F., Office Tower, Convention Plaza,
1 Harbour Road,
Wanchai, Hong Kong



[11] 2422690.6M003

[15] 17-01-2024

[30] 18-07-2023 / CA, MX, CN, SG, CH, TR, GB, US, EU, JP, KR /
DM/230 462

[51] Cl. 24-02

[54] 移液管操作按鈕的局部設計

Partial design of operating button for the pipette

[73] Eppendorf SE
Barkhausenweg 1,
22339 Hamburg,
Germany

[74] CLT PATENT & TRADEMARK (H.K.) LIMITED
Unit 09, 34/F., Office Tower, Convention Plaza,
1 Harbour Road,
Wanchai, Hong Kong



[11] 2422963.5

[15] 14-03-2024

[30] 14-09-2023 / JP / 2023-018793

[51] Cl. 23-01

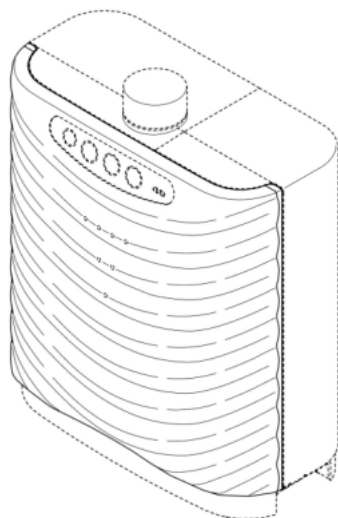
[54] 整水器本體

Water purifier body

[73] 日本多寧股份有限公司
NIHON TRIM CO., LTD.
1-8-34, Oyodonaka, Kita-ku,
Osaka-shi, Osaka, 531-0076,
Japan

[74] MARKS & CLERK
Level 9, Cyberport 1,

100 Cyberport Road,
Pok Fu Lam, Hong Kong



[11] 2422974.8

[15] 18-03-2024

[30] 27-02-2024 / KH, CA, EG, BR, FI, MX, NO, CN, RU, SG, CH, GB,
US, VN, EU, IL, JP, KR / WIPO145121

[51] Cl. 3-01

[54] 腰包

Belt bag

[73] Monos Travel Ltd.

2288 Manitoba Street,

2nd Floor, Vancouver, British Columbia,

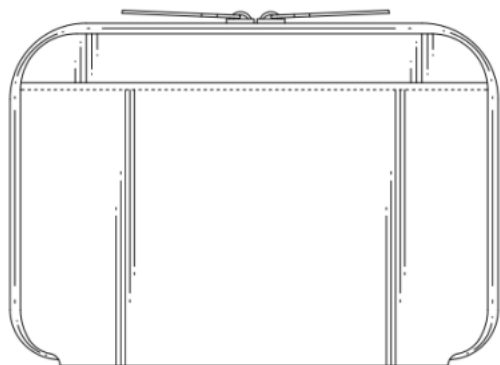
Canada, V5Y 4B5, Canada

[74] CHINA PATENT AGENT (HONG KONG) LIMITED

22/F, Great Eagle Centre,

23 Harbour Road,

Wanchai, Hong Kong



[11] 2423064.9

[15] 02-04-2024

[30] 05-10-2023 / FR / 20234233

[51] Cl. 3-01

[54] 袋

Bag

[73] LOUIS VUITTON MALLETIER

2 rue du Pont-Neuf,

75001 Paris,

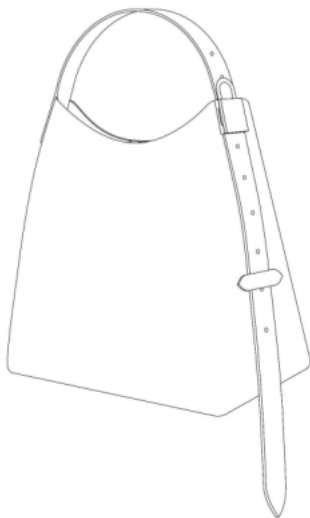
France

[74] BAKER & MCKENZIE

14TH FLOOR, ONE TAIKOO PLACE,

979 KING'S ROAD, QUARRY BAY,

HONG KONG



[11] 2423066.4

[15] 02-04-2024

[30] 26-10-2023 / FR / 20234577

[51] Cl. 3-01

[54] 袋

Bag

[73] LOUIS VUITTON MALLETIER

2 rue du Pont-Neuf,

75001 Paris,

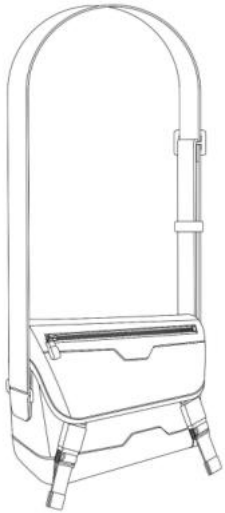
France

[74] BAKER & MCKENZIE

14TH FLOOR, ONE TAIKOO PLACE,

979 KING'S ROAD, QUARRY BAY,

HONG KONG



[11] 2423109.6

[15] 10-04-2024

[30] 13-10-2023 / US / 29/914,169

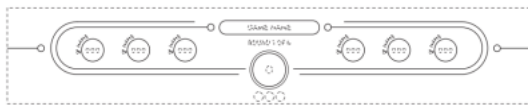
[51] Cl. 14-04

[54] 帶有圖形用戶界面的顯示屏或其部分

Display screen or portion thereof with graphical user interface

[73] Puttshack LTD
7 Savoy Court,
London, WC2R 0EX,
United Kingdom

[74] WILKINSON & GRIST
6th Floor, Prince's Building,
Chater Road,
Hong Kong



[11] 2423121.1M001

[15] 12-04-2024

[30] 03-11-2023 / US / 29/915,816

[51] Cl. 4-02

[54] 個人護理用具

Personal care implement

[73] Colgate-Palmolive Company
300 Park Avenue, New York, New York 10022,
United States of America

[74] UNITALEN ATTORNEYS AT LAW LIMITED
Unit No.1211, Level 12, Tower 1,
Grand Century Place,
193 Prince Edward Road West,
Mongkok, Kowloon, Hong Kong



[11] 2423121.1M002

[15] 12-04-2024

[30] 03-11-2023 / US / 29/915,816

[51] Cl. 4-02

[54] 個人護理用具

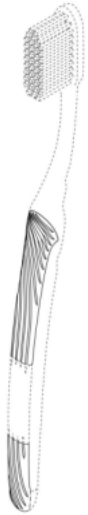
Personal care implement

[73] Colgate-Palmolive Company

300 Park Avenue, New York, New York 10022,
United States of America

[74] UNITALEN ATTORNEYS AT LAW LIMITED

Unit No.1211, Level 12, Tower 1,
Grand Century Place,
193 Prince Edward Road West,
Mongkok, Kowloon, Hong Kong



[11] 2423183.1M001

[15] 22-04-2024

[51] Cl. 20-02

[54] 飾物陳列裝置

Ornament display device

[73] 六福集團有限公司

Luk Fook Holdings Company Limited

15th, 20th, 25th & 27th Floor, Metropole Square,

No.2 On Yiu Street, Shatin, New Territories,

Hong Kong

[74] Luk Fook Holdings Company Limited (Legal Affairs Department)

25th Floor, Metropole Square,

No.2 On Yiu Street, Shatin, New Territories,

Hong Kong



[11] 2423183.1M002

[15] 22-04-2024

[51] Cl. 20-02

[54] 飾物陳列裝置

Ornament display device

[73] 六福集團有限公司

Luk Fook Holdings Company Limited

15th, 20th, 25th & 27th Floor, Metropole Square,

No.2 On Yiu Street, Shatin, New Territories,

Hong Kong

[74] Luk Fook Holdings Company Limited (Legal Affairs Department)
25th Floor, Metropole Square,
No.2 On Yiu Street, Shatin, New Territories,
Hong Kong



[11] 2423183.1M003

[15] 22-04-2024

[51] Cl. 20-02

[54] 飾物陳列裝置

Ornament display device

[73] 六福集團有限公司

Luk Fook Holdings Company Limited

15th, 20th, 25th & 27th Floor, Metropole Square,
No.2 On Yiu Street, Shatin, New Territories,
Hong Kong

[74] Luk Fook Holdings Company Limited (Legal Affairs Department)
25th Floor, Metropole Square,
No.2 On Yiu Street, Shatin, New Territories,
Hong Kong



[11] 2423183.1M004

[15] 22-04-2024

[51] Cl. 20-02

[54] 飾物陳列裝置

Ornament display device

[73] 六福集團有限公司

Luk Fook Holdings Company Limited

15th, 20th, 25th & 27th Floor, Metropole Square,
No.2 On Yiu Street, Shatin, New Territories,
Hong Kong

- [74] Luk Fook Holdings Company Limited (Legal Affairs Department)
25th Floor, Metropole Square,
No.2 On Yiu Street, Shatin, New Territories,
Hong Kong



[11] 2423183.1M005

[15] 22-04-2024

[51] Cl. 20-02

[54] 飾物陳列裝置

Ornament display device

[73] 六福集團有限公司

Luk Fook Holdings Company Limited

15th, 20th, 25th & 27th Floor, Metropole Square,

No.2 On Yiu Street, Shatin, New Territories,

Hong Kong

[74] Luk Fook Holdings Company Limited (Legal Affairs Department)

25th Floor, Metropole Square,

No.2 On Yiu Street, Shatin, New Territories,

Hong Kong



[11] 2423183.1M006

[15] 22-04-2024

[51] Cl. 20-02

[54] 飾物陳列裝置

Ornament display device

[73] 六福集團有限公司

Luk Fook Holdings Company Limited
15th, 20th, 25th & 27th Floor, Metropole Square,
No.2 On Yiu Street, Shatin, New Territories,
Hong Kong

[74] Luk Fook Holdings Company Limited (Legal Affairs Department)

25th Floor, Metropole Square,
No.2 On Yiu Street, Shatin, New Territories,
Hong Kong



[11] 2423183.1M007

[15] 22-04-2024

[51] Cl. 20-02

[54] 飾物陳列裝置

Ornament display device

[73] 六福集團有限公司

Luk Fook Holdings Company Limited
15th, 20th, 25th & 27th Floor, Metropole Square,
No.2 On Yiu Street, Shatin, New Territories,
Hong Kong

[74] Luk Fook Holdings Company Limited (Legal Affairs Department)

25th Floor, Metropole Square,
No.2 On Yiu Street, Shatin, New Territories,
Hong Kong



[11] 2423183.1M008

[15] 22-04-2024

[51] Cl. 20-02

[54] 飾物陳列裝置

Ornament display device

[73] 六福集團有限公司

Luk Fook Holdings Company Limited

15th, 20th, 25th & 27th Floor, Metropole Square,

No.2 On Yiu Street, Shatin, New Territories,

Hong Kong

[74] Luk Fook Holdings Company Limited (Legal Affairs Department)

25th Floor, Metropole Square,

No.2 On Yiu Street, Shatin, New Territories,

Hong Kong



[11] 2423187.0M001

[15] 22-04-2024

[51] Cl. 16-06

[54] 隱形眼鏡

Contact lens

[73] Johnson & Johnson Vision Care, Inc.

7500 Centurion Parkway,

Jacksonville, Florida 32256,

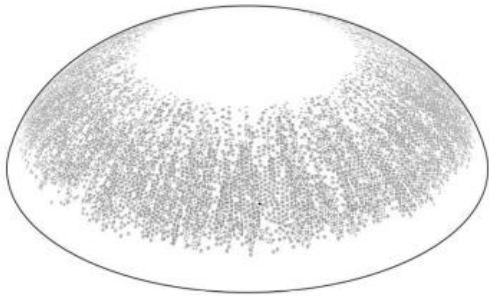
United States of America

[74] ATL LAW OFFICES

16/F., China Hong Kong Tower,

8-12 Hennessy Road, Wanchai,

Hong Kong



[11] 2423187.0M002

[15] 22-04-2024

[51] Cl. 16-06

[54] 隱形眼鏡

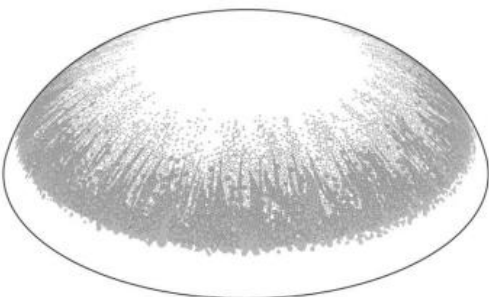
Contact lens

[73] Johnson & Johnson Vision Care, Inc.

7500 Centurion Parkway,
Jacksonville, Florida 32256,
United States of America

[74] ATL LAW OFFICES

16/F., China Hong Kong Tower,
8-12 Hennessy Road, Wanchai,
Hong Kong



[11] 2423187.0M003

[15] 22-04-2024

[51] Cl. 16-06

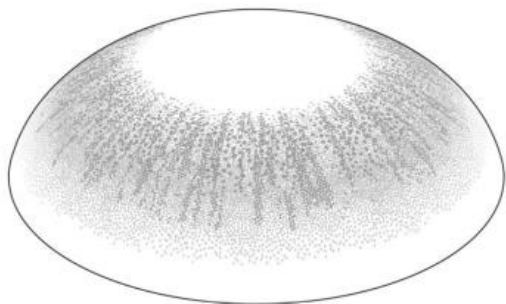
[54] 隱形眼鏡

Contact lens

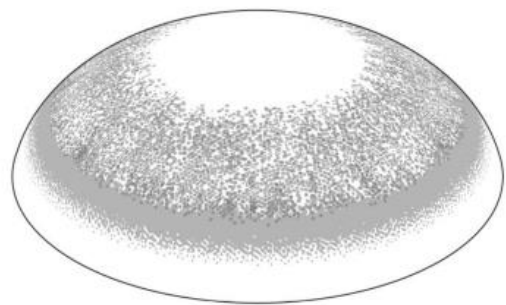
[73] Johnson & Johnson Vision Care, Inc.

7500 Centurion Parkway,
Jacksonville, Florida 32256,
United States of America

- [74] ATL LAW OFFICES
16/F., China Hong Kong Tower,
8-12 Hennessy Road, Wanchai,
Hong Kong



-
- [11] 2423187.0M004
[15] 22-04-2024
[51] Cl. 16-06
[54] 隱形眼鏡
Contact lens
[73] Johnson & Johnson Vision Care, Inc.
7500 Centurion Parkway,
Jacksonville, Florida 32256,
United States of America
[74] ATL LAW OFFICES
16/F., China Hong Kong Tower,
8-12 Hennessy Road, Wanchai,
Hong Kong

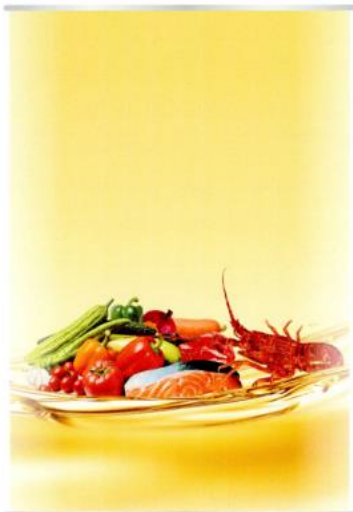


-
- [11] 2423216.3
[15] 24-04-2024
[51] Cl. 9-02
[54] 包裝罐
Packing drum

- [73] 溢豐食品物流有限公司
YAT FUNG FOOD LOGISTIC COMPANY LIMITED
DD 23, LOT 627, LAI PEK SHAN SUN TSUEN,
SHUEN WAN, TAI PO,
HONG KONG
- [74] YAT FUNG FOOD LOGISTIC COMPANY LIMITED
DD 23, LOT 627, LAI PEK SHAN SUN TSUEN,
TAI PO,
HONG KONG



- [11] 2423217.5
- [15] 24-04-2024
- [51] Cl. 9-02
- [54] 包裝罐
Packing drum
- [73] 溢豐食品物流有限公司
YAT FUNG FOOD LOGISTIC COMPANY LIMITED
DD 23, LOT 627, LAI PEK SHAN SUN TSUEN,
SHUEN WAN, TAI PO,
HONG KONG
- [74] YAT FUNG FOOD LOGISTIC COMPANY LIMITED
DD 23, LOT 627, LAI PEK SHAN SUN TSUEN,
TAI PO,
HONG KONG



[11] 2423218.7

[15] 24-04-2024

[51] Cl. 9-02

[54] 包裝罐

Packing drum

[73] 溢豐食品物流有限公司

YAT FUNG FOOD LOGISTIC COMPANY LIMITED
DD 23, LOT 627, LAI PEK SHAN SUN TSUEN,
SHUEN WAN, TAI PO,
HONG KONG

[74] YAT FUNG FOOD LOGISTIC COMPANY LIMITED

DD 23, LOT 627, LAI PEK SHAN SUN TSUEN,
TAI PO,
HONG KONG



[11] 2423273.2

[15] 06-05-2024

[51] Cl. 21-01

[54] 模型車

Model vehicle

[73] KABUSHIKI KAISHA TAMIYA (TAMIYA, INC.)

3-7, Ondawara,

Shizuoka-City, 422-8610,

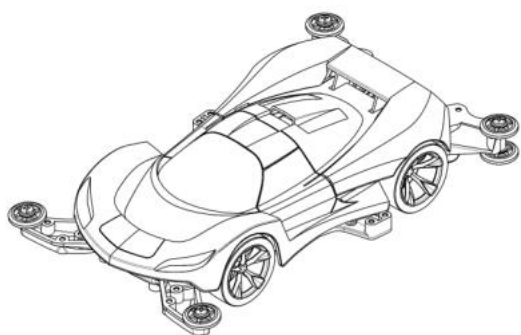
Japan

[74] GLOBAL ZEN IP SERVICES LIMITED

Room 1707, 17th Floor, Beverly House,

93-107 Lockhart Road, Wanchai,

Hong Kong



[11] 2423277.1M001

[15] 07-05-2024

[30] 08-11-2023 / EU / 015040348-0001

[51] Cl. 7-02

[54] 空氣炸鍋

Air fryer

[73] VERSUNI HOLDING B.V.

HIGH TECH CAMPUS 42, 5656AE EINDHOVEN,

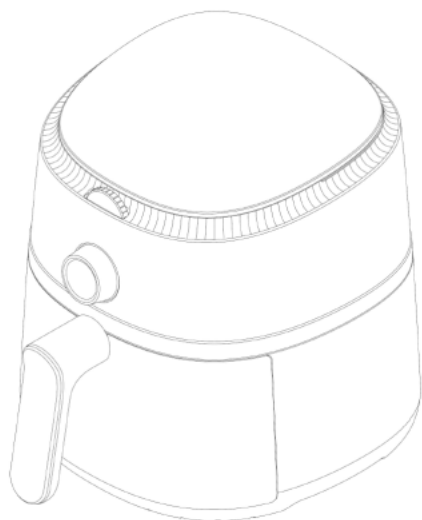
NETHERLANDS

[74] CHANG TSI AND PARTNERS INTELLECTUAL PROPERTY (HK) LIMITED

Level 20, One International Finance Centre,

No. 1 Harbour View Street, Central,

Hong Kong



[11] 2423277.1M002

[15] 07-05-2024

[30] 08-11-2023 / EU / 015040348-0007

[51] Cl. 7-02

[54] 空氣炸鍋

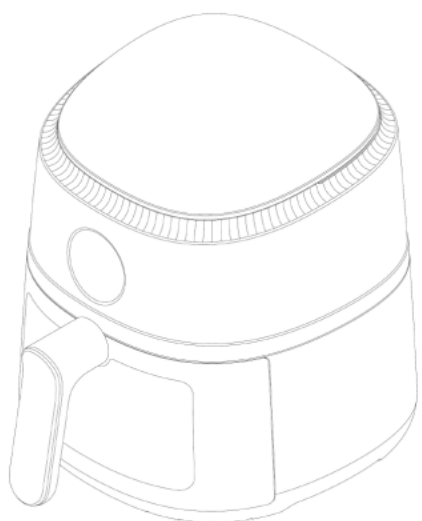
Air fryer

[73] VERSUNI HOLDING B.V.

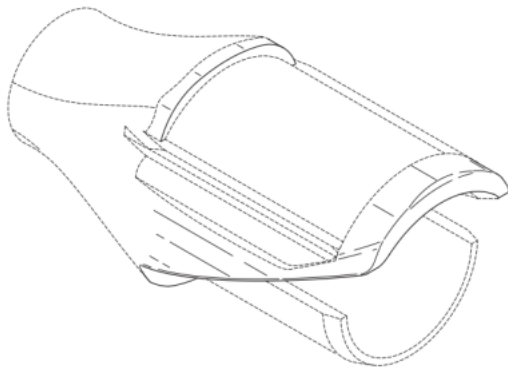
HIGH TECH CAMPUS 42, 5656AE EINDHOVEN,
NETHERLANDS

[74] CHANG TSI AND PARTNERS INTELLECTUAL PROPERTY (HK) LIMITED

Level 20, One International Finance Centre,
No. 1 Harbour View Street, Central,
Hong Kong



- [11] 2423313.8
[15] 14-05-2024
[30] 15-11-2023 / US / 29/916,830
[51] Cl. 24-02
[54] 不分公母無菌連接器
Genderless aseptic connector
[73] 威爾馬克控股有限公司
WilMarc Holdings, LLC
3420 Precision Drive, Fort Collins, Colorado 80528,
United States of America
[74] WENPING PATENT & TRADE MARK AGENT LIMITED
1701 Tung Wai Commercial Building,
111 Gloucester Road,
Hong Kong



-
- [11] 2423546.3M001
[15] 19-06-2024
[30] 21-12-2023 / CH, EU / WIPO142201
[51] Cl. 10-07
[54] 錶殼
Watch case
[73] RICHEMONT INTERNATIONAL SA
Route des biches 10,
1752 VILLARS-SUR-GLANE,
SWITZERLAND
[74] LETTERS & THOO LIMITED
Suite 1001-1003, 10/F, Prosperity Millennia Plaza,
663 King's Road, Quarry Bay,
Hong Kong



[11] 2423546.3M002

[15] 19-06-2024

[30] 21-12-2023 / CH, EU / WIPO142201

[51] Cl. 10-07

[54] 錶殼

Watch case

[73] RICHEMONT INTERNATIONAL SA

Route des biches 10,
1752 VILLARS-SUR-GLANE,
SWITZERLAND

[74] LETTERS & THOO LIMITED

Suite 1001-1003, 10/F, Prosperity Millennia Plaza,
663 King's Road, Quarry Bay,
Hong Kong



[11] 2423546.3M003

[15] 19-06-2024

[30] 21-12-2023 / CH, EU / WIPO142201

[51] Cl. 10-07

[54] 錶殼

Watch case

[73] RICHEMONT INTERNATIONAL SA

Route des biches 10,
1752 VILLARS-SUR-GLANE,
SWITZERLAND

[74] LETTERS & THOO LIMITED

Suite 1001-1003, 10/F, Prosperity Millennia Plaza,
663 King's Road, Quarry Bay,
Hong Kong



[11] 2423546.3M004

[15] 19-06-2024

[30] 21-12-2023 / CH, EU / WIPO142201

[51] Cl. 10-07

[54] 錶殼

Watch case

[73] RICHEMONT INTERNATIONAL SA

Route des biches 10,
1752 VILLARS-SUR-GLANE,
SWITZERLAND

[74] LETTERS & THOO LIMITED

Suite 1001-1003, 10/F, Prosperity Millennia Plaza,
663 King's Road, Quarry Bay,
Hong Kong



[11] 2423555.2M001

[15] 20-06-2024

[51] Cl. 9-03

[54] 包裝盒
Packaging box

[73] 亞倫亞當有限公司
Aaron Adam Limited
Unit A, 15/F, Block 1, Leader Industrial Centre,
188-202 Texaco Road, Tsuen Wan,
Hong Kong

[74] Aaron Adam Limited
Unit A, 15/F, Block 1, Leader Industrial Centre,
188-202 Texaco Road, Tsuen Wan,
Hong Kong



[11] 2423555.2M002

[15] 20-06-2024

[51] Cl. 9-03

[54] 包裝盒

Packaging box

[73] 亞倫亞當有限公司

Aaron Adam Limited

Unit A, 15/F, Block 1, Leader Industrial Centre,
188-202 Texaco Road, Tsuen Wan,
Hong Kong

[74] Aaron Adam Limited

Unit A, 15/F, Block 1, Leader Industrial Centre,
188-202 Texaco Road, Tsuen Wan,
Hong Kong



[11] 2423555.2M003

[15] 20-06-2024

[51] Cl. 9-03

[54] 包裝盒

Packaging box

[73] 亞倫亞當有限公司

Aaron Adam Limited

Unit A, 15/F, Block 1, Leader Industrial Centre,
188-202 Texaco Road, Tsuen Wan,
Hong Kong

[74] Aaron Adam Limited

Unit A, 15/F, Block 1, Leader Industrial Centre,
188-202 Texaco Road, Tsuen Wan,
Hong Kong



[11] 2423555.2M004

[15] 20-06-2024

[51] C1. 9-03

[54] 包裝盒

Packaging box

[73] 亞倫亞當有限公司

Aaron Adam Limited

Unit A, 15/F, Block 1, Leader Industrial Centre,

188-202 Texaco Road, Tsuen Wan,

Hong Kong

[74] Aaron Adam Limited

Unit A, 15/F, Block 1, Leader Industrial Centre,

188-202 Texaco Road, Tsuen Wan,

Hong Kong



[11] 2423555.2M005

[15] 20-06-2024

[51] Cl. 9-03

[54] 包裝盒

Packaging box

[73] 亞倫亞當有限公司

Aaron Adam Limited

Unit A, 15/F, Block 1, Leader Industrial Centre,
188-202 Texaco Road, Tsuen Wan,
Hong Kong

[74] Aaron Adam Limited

Unit A, 15/F, Block 1, Leader Industrial Centre,
188-202 Texaco Road, Tsuen Wan,
Hong Kong



[11] 2423555.2M006

[15] 20-06-2024

[51] Cl. 9-03

[54] 包裝盒

Packaging box

[73] 亞倫亞當有限公司

Aaron Adam Limited

Unit A, 15/F, Block 1, Leader Industrial Centre,
188-202 Texaco Road, Tsuen Wan,
Hong Kong

[74] Aaron Adam Limited

Unit A, 15/F, Block 1, Leader Industrial Centre,
188-202 Texaco Road, Tsuen Wan,
Hong Kong



[11] 2423555.2M007

[15] 20-06-2024

[51] C1. 9-03

[54] 包裝盒
Packaging box

[73] 亞倫亞當有限公司
Aaron Adam Limited
Unit A, 15/F, Block 1, Leader Industrial Centre,
188-202 Texaco Road, Tsuen Wan,
Hong Kong

[74] Aaron Adam Limited
Unit A, 15/F, Block 1, Leader Industrial Centre,
188-202 Texaco Road, Tsuen Wan,
Hong Kong



[11] 2423555.2M008

[15] 20-06-2024

[51] Cl. 9-03

[54] 包裝盒

Packaging box

[73] 亞倫亞當有限公司

Aaron Adam Limited

Unit A, 15/F, Block 1, Leader Industrial Centre,
188-202 Texaco Road, Tsuen Wan,
Hong Kong

[74] Aaron Adam Limited

Unit A, 15/F, Block 1, Leader Industrial Centre,
188-202 Texaco Road, Tsuen Wan,
Hong Kong



[11] 2423555.2M009

[15] 20-06-2024

[51] Cl. 9-03

[54] 包裝盒

Packaging box

[73] 亞倫亞當有限公司

Aaron Adam Limited

Unit A, 15/F, Block 1, Leader Industrial Centre,
188-202 Texaco Road, Tsuen Wan,
Hong Kong

[74] Aaron Adam Limited

Unit A, 15/F, Block 1, Leader Industrial Centre,
188-202 Texaco Road, Tsuen Wan,
Hong Kong



[11] 2423555.2M010

[15] 20-06-2024

[51] C1. 9-03

[54] 包裝盒
Packaging box

[73] 亞倫亞當有限公司
Aaron Adam Limited
Unit A, 15/F, Block 1, Leader Industrial Centre,
188-202 Texaco Road, Tsuen Wan,
Hong Kong

[74] Aaron Adam Limited
Unit A, 15/F, Block 1, Leader Industrial Centre,
188-202 Texaco Road, Tsuen Wan,
Hong Kong



[11] 2423555.2M011

[15] 20-06-2024

[51] Cl. 9-03

[54] 包裝盒

Packaging box

[73] 亞倫亞當有限公司

Aaron Adam Limited

Unit A, 15/F, Block 1, Leader Industrial Centre,
188-202 Texaco Road, Tsuen Wan,
Hong Kong

[74] Aaron Adam Limited

Unit A, 15/F, Block 1, Leader Industrial Centre,
188-202 Texaco Road, Tsuen Wan,
Hong Kong



[11] 2423555.2M012

[15] 20-06-2024

[51] Cl. 9-03

[54] 包裝盒

Packaging box

[73] 亞倫亞當有限公司

Aaron Adam Limited

Unit A, 15/F, Block 1, Leader Industrial Centre,
188-202 Texaco Road, Tsuen Wan,
Hong Kong

[74] Aaron Adam Limited

Unit A, 15/F, Block 1, Leader Industrial Centre,
188-202 Texaco Road, Tsuen Wan,
Hong Kong



[11] 2423555.2M013

[15] 20-06-2024

[51] C1. 9-03

[54] 包裝盒

Packaging box

[73] 亞倫亞當有限公司

Aaron Adam Limited

Unit A, 15/F, Block 1, Leader Industrial Centre,
188-202 Texaco Road, Tsuen Wan,
Hong Kong

[74] Aaron Adam Limited

Unit A, 15/F, Block 1, Leader Industrial Centre,
188-202 Texaco Road, Tsuen Wan,
Hong Kong



[11] 2423555.2M014

[15] 20-06-2024

[51] Cl. 9-03

[54] 包裝盒

Packaging box

[73] 亞倫亞當有限公司

Aaron Adam Limited

Unit A, 15/F, Block 1, Leader Industrial Centre,
188-202 Texaco Road, Tsuen Wan,
Hong Kong

[74] Aaron Adam Limited

Unit A, 15/F, Block 1, Leader Industrial Centre,
188-202 Texaco Road, Tsuen Wan,
Hong Kong



[11] 2423555.2M015

[15] 20-06-2024

[51] Cl. 9-03

[54] 包裝盒

Packaging box

[73] 亞倫亞當有限公司

Aaron Adam Limited

Unit A, 15/F, Block 1, Leader Industrial Centre,
188-202 Texaco Road, Tsuen Wan,
Hong Kong

[74] Aaron Adam Limited

Unit A, 15/F, Block 1, Leader Industrial Centre,
188-202 Texaco Road, Tsuen Wan,
Hong Kong



[11] 2423555.2M016

[15] 20-06-2024

[51] C1. 9-03

[54] 包裝盒

Packaging box

[73] 亞倫亞當有限公司

Aaron Adam Limited

Unit A, 15/F, Block 1, Leader Industrial Centre,

188-202 Texaco Road, Tsuen Wan,

Hong Kong

[74] Aaron Adam Limited

Unit A, 15/F, Block 1, Leader Industrial Centre,

188-202 Texaco Road, Tsuen Wan,

Hong Kong



[11] 2423555.2M017

[15] 20-06-2024

[51] Cl. 9-03

[54] 包裝盒

Packaging box

[73] 亞倫亞當有限公司

Aaron Adam Limited

Unit A, 15/F, Block 1, Leader Industrial Centre,
188-202 Texaco Road, Tsuen Wan,
Hong Kong

[74] Aaron Adam Limited

Unit A, 15/F, Block 1, Leader Industrial Centre,
188-202 Texaco Road, Tsuen Wan,
Hong Kong



[11] 2423584.2

[15] 25-06-2024

[30] 18-06-2024 / CN / 2024303738661

[51] Cl. 21-01

[54] 玩具飛行器

Toy aircraft

[73] 可可童漫科技(深圳)有限公司

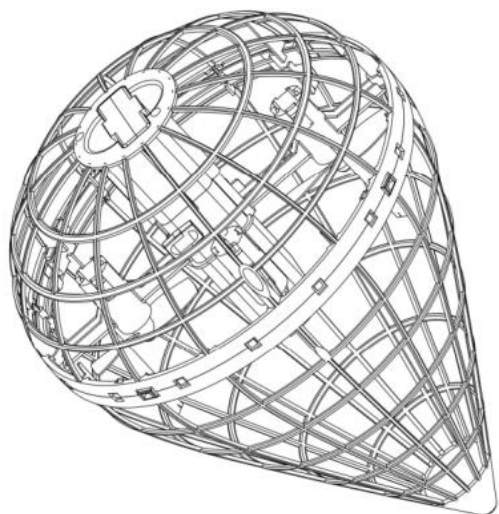
Coco Kids Technology (Shenzhen) Co., Ltd.
中國

广东省深圳市福田区莲花街道福中社区
金田路 4028 号荣超经贸中心 A311-A034

[74] 旒貝國際知識產權代理有限公司

香港

新界白石角香港科學園
第三期科技大道西 12 號 2 樓 230 室



[11] 2423594.3

[15] 26-06-2024

[51] Cl. 27-07

[54] 電子煙

Electronic cigarette

[73] 萊芙科技有限公司

LAIFU TECHNOLOGY LIMITED

香港

九龍尖沙咀漆咸道南 45-51 號

其士大廈 803 室

[74] 凱鳴知識產權(香港)有限公司

香港

九龍新蒲崗太子道東 706 號

太子工業大廈 10 樓 A 室 A22



[11] 2423608.5

[15] 27-06-2024

[51] Cl. 26-04

[54] 發光二極管燈
LED lamp

[73] 江门市盈得电器制造有限公司

中國

广东省江门市蓬江区棠下镇

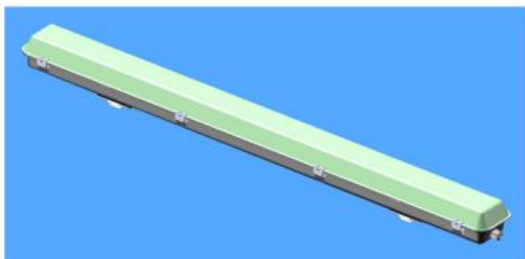
海信大道 63 号 2 栋首层厂房 (邮编: 529000)

[74] 卓遠知識產權有限公司

香港

上環禧利街 27 號

富輝商業中心 10 樓



[11] 2423609.7

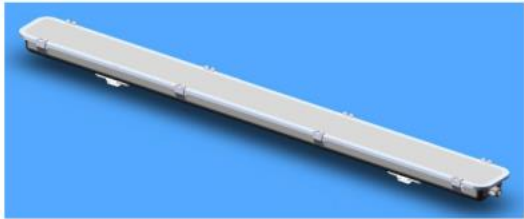
[15] 27-06-2024

[51] Cl. 26-04

[54] 發光二極管燈
LED lamp

[73] 江门市盈得电器制造有限公司
中國
广东省江门市蓬江区棠下镇
海信大道 63 号 2 栋首层厂房 (邮编: 529000)

[74] 卓遠知識產權有限公司
香港
上環禧利街 27 號
富輝商業中心 10 樓



[11] 2423627.5

[15] 03-07-2024

[30] 30-05-2024 / PH / 3-2024-050599

[51] Cl. 3-01

[54] 包
Bag

[73] BTV GROUP PTE. LTD.
2 Alexandra Road #06-03, Delta House,
Singapore 159919,
Singapore

[74] ACCOLADE IP LIMITED
10/F, Fu Fai Comm. Ctr.,
27 Hillier Street, Sheung Wan,
Hong Kong



[11] 2423628.7

[15] 03-07-2024

[51] Cl. 3-01

[54] 包

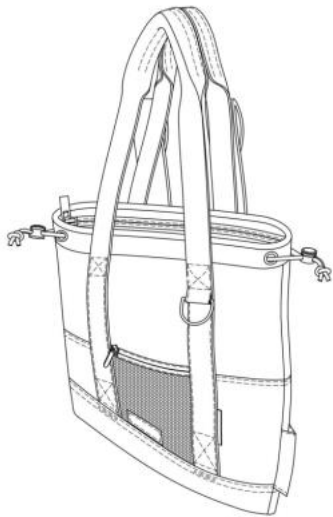
Bag

[73] BTV GROUP PTE. LTD.

2 Alexandra Road #06-03, Delta House,
Singapore 159919,
Singapore

[74] ACCOLADE IP LIMITED

10/F, Fu Fai Comm. Ctr.,
27 Hillier Street, Sheung Wan,
Hong Kong



[11] 2423630.1M001

[15] 03-07-2024

[51] Cl. 7-01

[54] 一次性環保可降解餐盒

Disposable environmental degradable lunch box

[73] 河源市綠碼新材料有限公司

Heyuan Lvma New Materail CO.,LTD.

中國

廣東省河源市和平縣陽明鎮

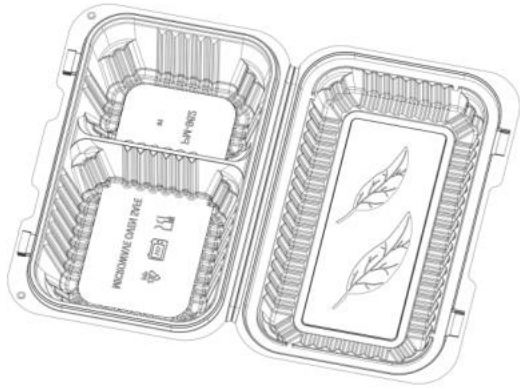
福和產業轉移園工業六路廠房三樓

[74] 智群科技設計(香港)有限公司

香港

九龍九龍灣宏光道 8 號

創豪坊 7 樓 706 室



[11] 2423630.1M002

[15] 03-07-2024

[51] Cl. 7-01

[54] 一次性環保可降解餐盒

Disposable environmental degradable lunch box

[73] 河源市綠碼新材料有限公司

Heyuan Lvma New Material CO.,LTD.

中國

廣東省河源市和平縣陽明鎮

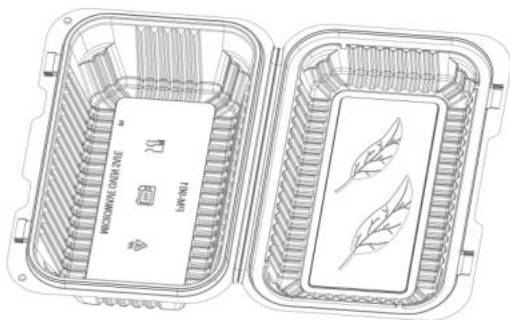
福和產業轉移園工業六路廠房三樓

[74] 智群科技設計(香港)有限公司

香港

九龍九龍灣宏光道 8 號

創豪坊 7 樓 706 室



[11] 2423633.7

[15] 03-07-2024

[51] Cl. 12-05

[54] 機械臂台車

Trolley with robotic arm

[73] 西井科技(香港)有限公司

Westwell Technology (Hong Kong) Limited

香港

新界白石角

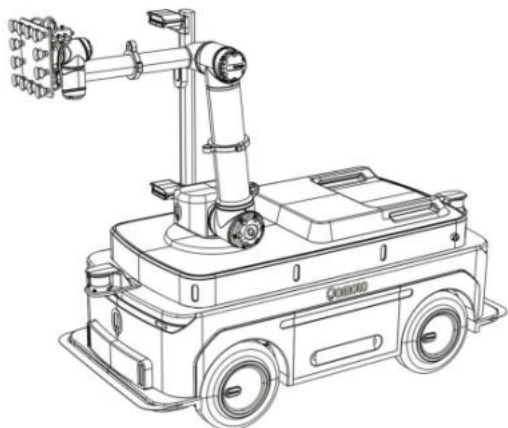
香港科學園一期 1E 大廈 3 樓 311 室

[74] 隆天專利商標代理有限公司

香港

九龍長沙灣光昌街 3 號

鴻昌工廠大廈 4 樓 B403 室



[11] 2423634.9M001

[15] 03-07-2024

[51] C1. 12-02

[54] 球場車

Golf cart

[73] 深圳玛西尔电动车股份公司

MARSHALL ELECTRIC VEHICLE SHENZHEN CORPORATION

中國

深圳市龍華區民治街道北站社區

匯德大廈 1 號樓 1801 郵編 518000

[74] 香港商標 & 設計代理有限公司

香港

灣仔告士打道 72 號

六國中心 6 樓



[11] 2423634.9M002

[15] 03-07-2024

[51] C1. 12-02

[54] 球場車

Golf cart

[73] 深圳玛西尔电动车股份公司

MARSHELL ELECTRIC VEHICLE SHENZHEN CORPORATION

中國

深圳市龙华区民治街道北站社区

汇德大厦 1 号楼 1801 邮编 518000

[74] 香港商標 & 設計代理有限公司

香港

灣仔告士打道 72 號

六國中心 6 樓



[11] 2423645.3

[15] 05-07-2024

[51] Cl. 28-03

[54] 按摩器

Massager

[73] 安英權

AN, Youngkwon

Flat F, 27/F, Kimberley 26, 26 Kimberley Road,

Tsim Sha Tsui, Kowloon,

Hong Kong

[74] ACCOLADE IP LIMITED

10/F, Fu Fai Comm. Ctr.,

27 Hillier Street, Sheung Wan,

Hong Kong



[11] 2423646.5

[15] 05-07-2024

[30] 29-01-2024 / MA, NO, OM, SG, CH, TN, TR, UA, GB, EU, AL /
DM/235763

[51] Cl. 10-02

[54] 手錶

Wristwatch

[73] SWATCH AG (SWATCH SA) (SWATCH LTD.)

Nicolas G. Hayek Strasse 1,

2502 Biel/Bienne,

Switzerland

[74] SPRUSON & FERGUSON (HONG KONG) LIMITED

5001 Hopewell Centre,

183 Queen's Road East, Wan Chai,

Hong Kong



[11] 2423647.7M001

[15] 05-07-2024

[30] 29-01-2024 / MA, NO, OM, SG, CH, TN, TR, UA, GB, EU, AL /
DM/235794

[51] Cl. 10-02

[54] 手錶

Wristwatch

[73] SWATCH AG (SWATCH SA) (SWATCH LTD.)

Nicolas G. Hayek Strasse 1,
2502 Biel/Bienne,
Switzerland

[74] SPRUSON & FERGUSON (HONG KONG) LIMITED

5001 Hopewell Centre,
183 Queen's Road East, Wan Chai,
Hong Kong



[11] 2423647.7M002

[15] 05-07-2024

[30] 29-01-2024 / MA, NO, OM, SG, CH, TN, TR, UA, GB, EU, AL /
DM/235794

[51] Cl. 10-02

[54] 手錶

Wristwatch

[73] SWATCH AG (SWATCH SA) (SWATCH LTD.)

Nicolas G. Hayek Strasse 1,
2502 Biel/Bienne,
Switzerland

[74] SPRUSON & FERGUSON (HONG KONG) LIMITED
5001 Hopewell Centre,
183 Queen's Road East, Wan Chai,
Hong Kong



[11] 2423647.7M003

[15] 05-07-2024

[30] 29-01-2024 / MA, NO, OM, SG, CH, TN, TR, UA, GB, EU, AL /
DM/235794

[51] Cl. 10-02

[54] 手錶

Wristwatch

[73] SWATCH AG (SWATCH SA) (SWATCH LTD.)

Nicolas G. Hayek Strasse 1,
2502 Biel/Bienne,
Switzerland

[74] SPRUSON & FERGUSON (HONG KONG) LIMITED
5001 Hopewell Centre,
183 Queen's Road East, Wan Chai,
Hong Kong



[11] 2423647.7M004

[15] 05-07-2024

[30] 29-01-2024 / MA, NO, OM, SG, CH, TN, TR, UA, GB, EU, AL /
DM/235794

[51] Cl. 10-02

[54] 手錶

Wristwatch

[73] SWATCH AG (SWATCH SA) (SWATCH LTD.)
Nicolas G. Hayek Strasse 1,
2502 Biel/Bienne,
Switzerland

[74] SPRUSON & FERGUSON (HONG KONG) LIMITED
5001 Hopewell Centre,
183 Queen's Road East, Wan Chai,
Hong Kong



[11] 2423660.4

[15] 08-07-2024

[30] 17-01-2024 / CA, MA, CN, SG, TN, TR, GB, US, EU, JP, KR /
DM/235050

[51] Cl. 3-01

[54] 手提包
Handbag

[73] MOYNAT PARIS SAS
348, rue Saint Honoré,
75001 PARIS,
FRANCE

[74] WENPING PATENT & TRADE MARK AGENT LIMITED
1701 Tung Wai Commercial Building,
111 Gloucester Road,
Hong Kong



[11] 2423663.0

[15] 09-07-2024

[51] Cl. 8-07

[54] 鎖緊裝置

Lock set

[73] 梁德成以準誠建材公司之名營業

LEUNG TAK SHING TRADING AS GOODWILL CONSTRUCTION MATERIAL
COMPANY

香港

九龍大角咀通州街 131 號宜利大廈地下

[74] 卓遠知識產權有限公司

香港

上環禧利街 27 號

富輝商業中心 10 樓



[11] 2423664.2

[15] 09-07-2024

[51] Cl. 3-01

[54] 包

Bag

[73] BTV GROUP PTE. LTD.

2 Alexandra Road #06-03, Delta House,
Singapore 159919,
Singapore

[74] ACCOLADE IP LIMITED

10/F, Fu Fai Comm. Ctr.,
27 Hillier Street, Sheung Wan,
Hong Kong



[11] 2423665.5

[15] 09-07-2024

[51] Cl. 3-01

[54] 手機殼

Phone case

[73] United Colors International Limited

10/F, Edwick Industrial Centre,

4-30 Lei Muk Road, Kwai Chung,

Hong Kong

[74] SO KEUNG YIP & SIN

Room 1009-1012, 10/F., Nan Fung Tower,

No. 173 Des Voeux Road Central,

Hong Kong



[11] 2423666.7

[15] 10-07-2024

[30] 10-01-2024 / KR / 30-2024-0001268

[51] Cl. 19-08

[54] 用於包裝的標籤、標記、印刷品，包括廣告材料

Label, tags, printed matter, including advertising materials
for packaging

[73] OSSTEM IMPLANT CO., LTD.

3, Magokjungang 12-ro,
Gangseo-gu, Seoul 07787,
Republic of Korea

[74] WENPING PATENT & TRADE MARK AGENT LIMITED

1701 Tung Wai Commercial Building,
111 Gloucester Road,
Hong Kong



[11] 2423668.1M001

[15] 10-07-2024

[51] Cl. 8-07

[54] 鎖扣離合器

Locking clutch

[73] 成都森兮科技有限公司

中國

中国（四川）自由贸易试验区成都高新区

剑南大道中段 555 号 7 栋 2 单元 22 层 2203 号

[74] 卓遠知識產權有限公司

香港

上環禧利街 27 號

富輝商業中心 10 樓



[11] 2423668.1M002

[15] 10-07-2024

[51] Cl. 8-07

[54] 鎖扣離合器
Locking clutch

[73] 成都淼兮科技有限公司
中國
中国（四川）自由贸易试验区成都高新区
剑南大道中段 555 号 7 栋 2 单元 22 层 2203 号

[74] 卓遠知識產權有限公司
香港
上環禧利街 27 號
富輝商業中心 10 樓





香港特別行政區政府知識產權署外觀設計註冊處

The Government of the Hong Kong Special Administrative Region

Designs Registry, Intellectual Property Department

根據註冊外觀設計條例第 28 條，下列註冊外觀設計因未繳續期費而停止有效。

各組記項按註冊外觀設計停止有效日期及註冊編號先後次序排列。

Registered designs ceased through non-payment of renewal fees under section 28 of the Registered Designs Ordinance. Entries are listed below under their expiry dates.

18-07-2024 - 24-07-2024

18-07-2024	0411627.7	1914320.5M007
1914281.1	1401373.6	1914320.5M008
	1914310.4M002	1914320.5M009
20-07-2024	1914310.4M003	1914320.5M010
1401359.7M001	1914312.8	1914320.5M011
1401359.7M002	1914313.0M001	1914320.5M012
1401359.7M003	1914313.0M002	
1401359.7M004		
1401359.7M005	24-07-2024	
	1401377.5	
21-07-2024	1401378.7	
1401365.0M002	1401383.7	
1401366.2M001	1914318.1M001	
1914284.7M002	1914318.1M002	
1914285.0M002	1914318.1M003	
1914286.2M002	1914318.1M004	
1914286.2M003	1914319.3M001	
1914288.6	1914319.3M002	
1914290.0	1914319.3M003	
1914291.2	1914319.3M004	
1914297.5	1914319.3M005	
	1914319.3M006	
22-07-2024	1914319.3M007	
1914301.5M001	1914319.3M008	
1914301.5M002	1914319.3M009	
1914301.5M003	1914319.3M010	
1914302.7M002	1914319.3M011	
1914302.7M005	1914319.3M012	
1914303.9M001	1914320.5M001	
1914303.9M002	1914320.5M002	
1914308.0M001	1914320.5M003	
1914308.0M002	1914320.5M004	
	1914320.5M005	
23-07-2024	1914320.5M006	



香港特別行政區政府知識產權署外觀設計註冊處

The Government of the Hong Kong Special Administrative Region

Designs Registry, Intellectual Property Department

根據註冊外觀設計規則第 31 條刪除的註冊外觀設計。各組記項按註冊外觀設計刪除日期及註冊編號先後次序排列。

Registered designs removed under section 31 of the Registered Designs Rules. Entries are listed below under their removal dates.

26-07-2024 - 01-08-2024

26-07-2024

1900127.0M008
0410172.9M001 1900127.0M009
0410172.9M002 1900127.0M010
0410172.9M003 1900127.0M011
0410173.1 1900129.4
0410175.6 1900130.6

31-07-2024

1400157.8M001
1400157.8M002
1900162.3
1900166.2

27-07-2024

0410187.1 1900133.2
0900105.2 1900134.4M001
1900134.4M002

29-07-2024

1900134.4M003
1900135.7
1900136.9
1900137.1
1900138.3
1900143.3
1900145.8
1900146.0
1900147.2

01-08-2024

1900171.2M002
1900171.2M003
1900172.4M001
1900172.4M002
1900172.4M003
1900172.4M004
1900173.6
1900174.8
1900175.1
1900176.3
1900177.5

28-07-2024

0410189.5M001 1900135.7
0410189.5M002 1900136.9
0410189.5M003 1900137.1
0900109.0 1900138.3
1900126.8M001 1900143.3
1900126.8M002 1900145.8
1900126.8M003 1900146.0
1900126.8M004 1900147.2
1900126.8M005
1900126.8M006
1900126.8M007
1900126.8M008
1900126.8M009
1900126.8M010
1900126.8M011
1900126.8M012
1900127.0M001
1900127.0M003
1900127.0M004
1900127.0M005
1900127.0M006
1900127.0M007

30-07-2024

0900135.5M001
0900135.5M002
0900135.5M003
1400126.3M002
1400134.9M001
1400134.9M002
1400134.9M003
1400134.9M004
1900148.4
1900151.0
1900152.2
1900155.9



香港特別行政區政府知識產權署外觀設計註冊處

The Government of the Hong Kong Special Administrative Region

Designs Registry, Intellectual Property Department

根據註冊外觀設計條例第 76 條，更正已提交文件中的錯誤

Correction of errors in filed documents under section 76 of the Registered Designs Ordinance

下列在 31.05.2024 官方公報刊登的更正錯誤的請求已在 01.08.2024 獲准許

The following request for correction of error advertised in the official journal on 01.08.2024 was allowed on 01.08.2024

[21] 2422770.6M001

[55] 外觀設計的表述

Representations of the Design

[21] 2422770.6M002

[55] 外觀設計的表述

Representations of the Design

[21] 2422770.6M003

[55] 外觀設計的表述

Representations of the Design

[21] 2422770.6M004

[55] 外觀設計的表述

Representations of the Design

[21] 2422770.6M005

[55] 外觀設計的表述

Representations of the Design

[21] 2422770.6M006

[55] 外觀設計的表述

Representations of the Design

[21] 2422770.6M007

[55] 外觀設計的表述

Representations of the Design

[21] 2422770.6M008

[55] 外觀設計的表述

Representations of the Design