

# 香港知識產權公報

Hong Kong Intellectual Property Journal

2024年10月18日  
18 October 2024



## 目錄 Contents

### 根據註冊外觀設計條例第 25 條註冊的外觀設計

#### **Designs Registered under section 25 of the Registered Designs Ordinance**

按註冊編號排列

Arranged by Registration Number

### 根據註冊外觀設計條例(第 522 章)公布的其他公告

#### **Other Notices Published under the Registered Designs Ordinance (Cap. 522)**

根據註冊外觀設計條例第 28 條，註冊外觀設計因未繳續期費而停止有效

Registered designs ceased through non-payment of renewal fees under section 28 of the Registered Designs Ordinance

根據註冊外觀設計規則第 31 條刪除的註冊外觀設計

Registered designs removed under section 31 of the Registered Designs Rules

### 以下事項沒有記錄

#### **No Records for the Following Matters**

根據註冊外觀設計條例第 30 條放棄的外觀設計的註冊

Surrender of Registration of Design under section 30 of the Registered Designs Ordinance

根據註冊外觀設計規則第 37 條，向處長作出轉介

Reference to Registrar under section 37 of the Registered Designs Rules

根據註冊外觀設計條例第 45 條，撤銷註冊

Revocation of Registration under section 45 of the Registered Designs Ordinance

根據註冊外觀設計規則第 46 條，向法院作出轉介

Reference to Court under section 46 of the Registered Designs Rules

根據註冊外觀設計規則第 63 條對不符合規定之處作出糾正

Rectification of Irregularities under section 63 of the Registered Designs Rules

根據註冊外觀設計條例第 66 條，糾正註冊紀錄冊

Rectification of Register under section 66 of the Registered Designs Ordinance

根據註冊外觀設計條例第 67 條 更正註冊紀錄冊內的錯誤

Correction of errors in Register under section 67 of the Registered Designs Ordinance

根據註冊外觀設計條例第 67 及 76 條，更正註冊紀錄冊內及已提交文件中的錯誤

Correction of Errors in Register and in Filed Documents under sections 67 and 76 of the Registered Designs Ordinance

根據註冊外觀設計條例第 76 條，更正已提交文件中的錯誤

Correction of errors in filed documents under section 76 of the Registered Designs Ordinance

勘誤

Corrigendum

## 註冊外觀設計公告註釋

### Notes on advertisements of registration of designs

方括號表示下列資料：

Square brackets indicate the following data：

[11] 註冊編號 Registration number / 聯合王國註冊編號 United Kingdom registration number

[15] 註冊日期 Registration date / 當作註冊日期 Deemed registration date / 聯合王國註冊日期 United Kingdom registration date

[17] 註冊有效期屆滿日期 Expiry date of the period of registration

[22] 提交日期 Filing date / 當作提交日期 Deemed filing date / 聯合王國提交日期 United Kingdom filing date

[30] 聲稱享有的優先權（提交日期 / 巴黎公約國或世界貿易組織成員 / 申請編號） Priority claimed (filing date / Paris Convention country or WTO member / application number)

[51] 國際外觀設計分類號（洛迦諾分類號） International Classification of designs (Locarno Classification)

[54] 物品 Article

[55] 外觀設計的表述 Representation of the design

[62] 分開前的申請編號及提交日期 Application number before division and filing date

[66] 過往註冊的聯繫外觀設計註冊編號 / 日期 Registration No. / Date of Previous Registration for Association

[72] 設計人 Designer

[73] 擁有人姓名和地址 Name and address of the owner

[74] 代理人 Agent /送達地址 Address for service



香港特別行政區政府知識產權署外觀設計註冊處  
The Government of the Hong Kong Special Administrative Region  
Designs Registry, Intellectual Property Department

## 根據註冊外觀設計條例第 25 條註冊的外觀設計

### Designs registered under section 25 of the Registered Designs Ordinance

按註冊編號排列

Arranged by Registration Number

[11] 2423022.1M001

[15] 25-03-2024

[51] C1. 9-03

[54] 包裝罐

Can for packaging

[73] KIWI HOUSE LIMITED

香港新界葵涌

昌榮路 9-11 號

同珍工業大廈 A 座 16 樓 B2 室

[74] KIWI HOUSE LIMITED

香港新界葵涌

昌榮路 9-11 號

同珍工業大廈 A 座 16 樓 B2 室



[11] 2423022.1M002

[15] 25-03-2024

[51] C1. 9-03

[54] 包裝盒

Box for packaging

[73] KIWI HOUSE LIMITED

香港新界葵涌

昌榮路 9-11 號

同珍工業大廈 A 座 16 樓 B2 室

[74] KIWI HOUSE LIMITED

香港新界葵涌

昌榮路 9-11 號

同珍工業大廈 A 座 16 樓 B2 室



[11] 2423022.1M003

[15] 25-03-2024

[51] Cl. 9-03

[54] 包裝盒

Box for packaging

[73] KIWI HOUSE LIMITED

香港新界葵涌

昌榮路 9-11 號

同珍工業大廈 A 座 16 樓 B2 室

[74] KIWI HOUSE LIMITED

香港新界葵涌

昌榮路 9-11 號

同珍工業大廈 A 座 16 樓 B2 室



[11] 2423022.1M004

[15] 25-03-2024

[51] C1. 9-03

[54] 包裝盒

Box for packaging

[73] KIWI HOUSE LIMITED

香港新界葵涌

昌榮路 9-11 號

同珍工業大廈 A 座 16 樓 B2 室

[74] KIWI HOUSE LIMITED

香港新界葵涌

昌榮路 9-11 號

同珍工業大廈 A 座 16 樓 B2 室





[11] 2423022.1M005

[15] 25-03-2024

[51] Cl. 9-03

[54] 包裝盒

Box for packaging

[73] KIWI HOUSE LIMITED

香港新界葵涌

昌榮路 9-11 號

同珍工業大廈 A 座 16 樓 B2 室

[74] KIWI HOUSE LIMITED

香港新界葵涌

昌榮路 9-11 號

同珍工業大廈 A 座 16 樓 B2 室



[11] 2423022.1M006

[15] 25-03-2024

[51] Cl. 9-03

[54] 包裝盒

Box for packaging

[73] KIWI HOUSE LIMITED

香港新界葵涌

昌榮路 9-11 號

同珍工業大廈 A 座 16 樓 B2 室

[74] KIWI HOUSE LIMITED

香港新界葵涌

昌榮路 9-11 號

同珍工業大廈 A 座 16 樓 B2 室



[11] 2423022.1M007

[15] 25-03-2024

[51] C1. 9-03

[54] 包裝盒

Box for packaging

[73] KIWI HOUSE LIMITED

香港新界葵涌

昌榮路 9-11 號

同珍工業大廈 A 座 16 樓 B2 室

[74] KIWI HOUSE LIMITED

香港新界葵涌

昌榮路 9-11 號

同珍工業大廈 A 座 16 樓 B2 室



[11] 2423045.0

[15] 27-03-2024

[30] 28-09-2023 / CN / 2023306414513

[51] Cl. 3-01

[54] 手機殼

Phone case

[73] 深圳市殼邦科技有限公司

Shenzhen Casebang Technology Co., Ltd.

中國

廣東省深圳市龍崗區阪田街道

阪田創意產業園 Y3 棟 4 樓 08

[74] 智享國際智慧財產權投顧有限公司 (WShare International IP Investment & Consultants Limited)

香港

九龍觀塘道 348

宏利廣場 6 樓



[11] 2423070.2

[15] 02-04-2024

[51] Cl. 9-03

[54] 包裝盒

Packaging box

[73] 鳳集食品集團有限公司

中國

四川省綿陽市鹽亭縣螺祖大道一號 621000

[74] 天標知識產權代理有限公司

香港

九龍尖沙咀加連威老道 14 號

加連威大廈 4 樓 A 座



[11] 2423107.2

[15] 10-04-2024

[30] 13-10-2023 / US / 29/914,167

[51] Cl. 14-04

[54] 帶有圖形用戶界面的顯示屏或其部分

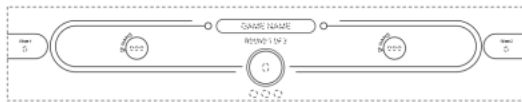
Display screen or portion thereof with graphical user interface

[73] Puttshack LTD

7 Savoy Court,  
London, WC2R 0EX,  
United Kingdom

[74] WILKINSON & GRIST

11th Floor, Great Eagle Centre,  
23 Harbour Road,  
Hong Kong



[11] 2423272.0M001

[15] 06-05-2024

[30] 06-11-2023 / EU / 015039909-0021

[51] Cl. 12-08

[54] 車輛

Automobile

[73] 浙江吉利控股集團有限公司

Zhejiang Geely Holding Group Co., Ltd.  
中國

浙江省杭州市濱江區

江陵路 1760 號(郵編: 310051)

浙江極氪智能科技有限公司

Zhejiang Zeekr Intelligent Technology Co., Ltd

中國

浙江省寧波市北侖區新碶街道遼河路

商務大廈 1 幢 1031 室 (郵編: 315000)

[74] 普衡知識產權代理有限公司

香港

九龍尖沙咀柯士甸道 122 號

麗斯中心 10 樓 B 室場地號 15



---

[11] 2423297.3

[15] 10-05-2024

[51] Cl. 21-01

[54] 比例模型

Scale model

[73] 陳洋

CHEN YANG

香港

西貢區將軍澳日出康城

領凱 11 座 10 樓 LD 室

[74] 陳洋

香港

西貢區領凱

11 座 10 樓 LD 室



---

[11] 2423374.6M001

[15] 23-05-2024

[51] Cl. 9-03

[54] 包裝盒

Packaging box

[73] 亞倫亞當有限公司

Aaron Adam Limited

Unit A, 15/F, Block 1, Leader Industrial Centre,  
188-202 Texaco Road, Tsuen Wan,

Hong Kong

[74] Aaron Adam Limited

Unit A, 15/F, Block 1, Leader Industrial Centre,  
188-202 Texaco Road, Tsuen Wan,

Hong Kong



[11] 2423374.6M002

[15] 23-05-2024

[51] C1. 9-03

[54] 包裝盒

Packaging box

[73] 亞倫亞當有限公司

Aaron Adam Limited

Unit A, 15/F, Block 1, Leader Industrial Centre,  
188-202 Texaco Road, Tsuen Wan,

Hong Kong

[74] Aaron Adam Limited

Unit A, 15/F, Block 1, Leader Industrial Centre,  
188-202 Texaco Road, Tsuen Wan,

Hong Kong



[11] 2423374.6M003

[15] 23-05-2024

[51] C1. 9-03

[54] 包裝盒

Packaging box

[73] 亞倫亞當有限公司

Aaron Adam Limited

Unit A, 15/F, Block 1, Leader Industrial Centre,

188-202 Texaco Road, Tsuen Wan,

Hong Kong

[74] Aaron Adam Limited

Unit A, 15/F, Block 1, Leader Industrial Centre,

188-202 Texaco Road, Tsuen Wan,

Hong Kong



[11] 2423374.6M004

[15] 23-05-2024

[51] Cl. 9-03

[54] 包裝盒

Packaging box

[73] 亞倫亞當有限公司

Aaron Adam Limited

Unit A, 15/F, Block 1, Leader Industrial Centre,  
188-202 Texaco Road, Tsuen Wan,  
Hong Kong

[74] Aaron Adam Limited

Unit A, 15/F, Block 1, Leader Industrial Centre,  
188-202 Texaco Road, Tsuen Wan,  
Hong Kong



[11] 2423374.6M005

[15] 23-05-2024

[51] Cl. 9-03

[54] 包裝盒

Packaging box

[73] 亞倫亞當有限公司

Aaron Adam Limited

Unit A, 15/F, Block 1, Leader Industrial Centre,  
188-202 Texaco Road, Tsuen Wan,  
Hong Kong

[74] Aaron Adam Limited

Unit A, 15/F, Block 1, Leader Industrial Centre,  
188-202 Texaco Road, Tsuen Wan,  
Hong Kong





[11] 2423374.6M006

[15] 23-05-2024

[51] C1. 9-03

[54] 包裝盒  
Packaging box

[73] 亞倫亞當有限公司  
Aaron Adam Limited  
Unit A, 15/F, Block 1, Leader Industrial Centre,  
188-202 Texaco Road, Tsuen Wan,  
Hong Kong

[74] Aaron Adam Limited  
Unit A, 15/F, Block 1, Leader Industrial Centre,  
188-202 Texaco Road, Tsuen Wan,  
Hong Kong



[11] 2423374.6M007

[15] 23-05-2024

[51] Cl. 9-03

[54] 包裝盒

Packaging box

[73] 亞倫亞當有限公司

Aaron Adam Limited

Unit A, 15/F, Block 1, Leader Industrial Centre,  
188-202 Texaco Road, Tsuen Wan,  
Hong Kong

[74] Aaron Adam Limited

Unit A, 15/F, Block 1, Leader Industrial Centre,  
188-202 Texaco Road, Tsuen Wan,  
Hong Kong



[11] 2423374.6M008

[15] 23-05-2024

[51] Cl. 9-03

[54] 包裝盒

Packaging box

[73] 亞倫亞當有限公司

Aaron Adam Limited

Unit A, 15/F, Block 1, Leader Industrial Centre,  
188-202 Texaco Road, Tsuen Wan,  
Hong Kong

[74] Aaron Adam Limited

Unit A, 15/F, Block 1, Leader Industrial Centre,  
188-202 Texaco Road, Tsuen Wan,  
Hong Kong



[11] 2423374.6M009

[15] 23-05-2024

[51] C1. 9-03

[54] 包裝盒

Packaging box

[73] 亞倫亞當有限公司

Aaron Adam Limited

Unit A, 15/F, Block 1, Leader Industrial Centre,

188-202 Texaco Road, Tsuen Wan,

Hong Kong

[74] Aaron Adam Limited

Unit A, 15/F, Block 1, Leader Industrial Centre,

188-202 Texaco Road, Tsuen Wan,

Hong Kong



[11] 2423374.6M010

[15] 23-05-2024

[51] Cl. 9-03

[54] 包裝盒

Packaging box

[73] 亞倫亞當有限公司

Aaron Adam Limited

Unit A, 15/F, Block 1, Leader Industrial Centre,  
188-202 Texaco Road, Tsuen Wan,  
Hong Kong

[74] Aaron Adam Limited

Unit A, 15/F, Block 1, Leader Industrial Centre,  
188-202 Texaco Road, Tsuen Wan,  
Hong Kong



[11] 2423374.6M011

[15] 23-05-2024

[51] Cl. 9-03

[54] 包裝盒

Packaging box

[73] 亞倫亞當有限公司

Aaron Adam Limited

Unit A, 15/F, Block 1, Leader Industrial Centre,  
188-202 Texaco Road, Tsuen Wan,  
Hong Kong

[74] Aaron Adam Limited

Unit A, 15/F, Block 1, Leader Industrial Centre,  
188-202 Texaco Road, Tsuen Wan,  
Hong Kong



[11] 2423374.6M012

[15] 23-05-2024

[51] C1. 9-03

[54] 包裝盒  
Packaging box

[73] 亞倫亞當有限公司  
Aaron Adam Limited  
Unit A, 15/F, Block 1, Leader Industrial Centre,  
188-202 Texaco Road, Tsuen Wan,  
Hong Kong

[74] Aaron Adam Limited  
Unit A, 15/F, Block 1, Leader Industrial Centre,  
188-202 Texaco Road, Tsuen Wan,  
Hong Kong



[11] 2423374.6M013

[15] 23-05-2024

[51] Cl. 9-03

[54] 包裝盒

Packaging box

[73] 亞倫亞當有限公司

Aaron Adam Limited

Unit A, 15/F, Block 1, Leader Industrial Centre,  
188-202 Texaco Road, Tsuen Wan,  
Hong Kong

[74] Aaron Adam Limited

Unit A, 15/F, Block 1, Leader Industrial Centre,  
188-202 Texaco Road, Tsuen Wan,  
Hong Kong



[11] 2423495.3

[15] 07-06-2024

[51] Cl. 1-99

[54] 凍乾食品

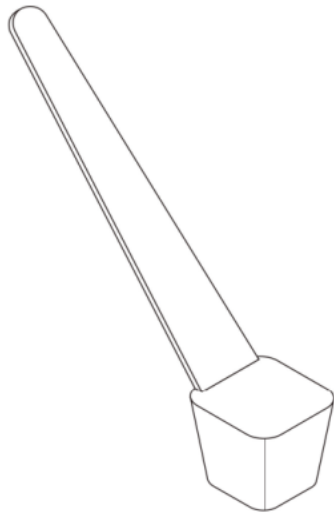
A freeze-dried food

[73] Otsuka Holdings Co., Ltd.

2-9 Kanda-Tsukasamachi,  
Chiyoda-ku, 101-0048 Tokyo,  
Japan

[74] CHINA PATENT AGENT (HONG KONG) LIMITED

22/F, Great Eagle Centre, 23 Harbour Road,  
Wanchai,  
Hong Kong



[11] 2423517.2

[15] 13-06-2024

[30] 14-12-2023 / DE / 402023100891.3

[51] Cl. 21-01

[54] 玩具車

Toy vehicle

[73] VOLKSWAGEN AKTIENGESELLSCHAFT

BERLINER RING 2,

38440 WOLFSBURG,

GERMANY

[74] CHINA PATENT AGENT (HONG KONG) LIMITED

22/F, Great Eagle Centre, 23 Harbour Road,

Wanchai,

Hong Kong



---

[11] 2423569.1

[15] 21-06-2024

[30] 11-01-2024 / JP / 2024-000329

[51] Cl. 7-04

- [54] 帶擦絲器的容器  
Container with slicer
- [73] 株式会社似鸟控股  
Nitori Holdings Co., Ltd.  
日本  
北海道札幌市北区  
新琴似七条一丁目2番39号
- [74] 中國專利代理(香港)有限公司  
香港  
灣仔  
港灣道23號鷹君中心22字樓



- 
- [11] 2423667.9M001
- [15] 10-07-2024
- [30] 19-02-2024 / EU / 015050698-0001
- [51] Cl. 3-01
- [54] 袋  
Bag
- [73] Rimowa GmbH  
Richard-Byrd-Str. 13,  
50829 Cologne,  
Germany
- [74] ROBIN BRIDGE & JOHN LIU  
6th Floor, Emperor Commercial Centre,  
39 Des Voeux Road Central,  
Hong Kong





---

[11] 2423667.9M002

[15] 10-07-2024

[30] 19-02-2024 / EU / 015050698-0003

[51] Cl. 3-01

[54] 袋

Bag

[73] Rimowa GmbH

Richard-Byrd-Str. 13,

50829 Cologne,

Germany

[74] ROBIN BRIDGE & JOHN LIU

6th Floor, Emperor Commercial Centre,

39 Des Voeux Road Central,

Hong Kong

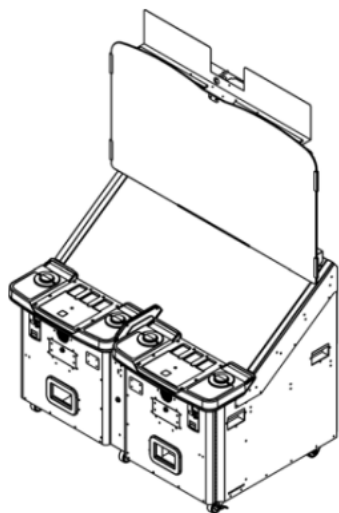


- [11] 2423667.9M003  
[15] 10-07-2024  
[30] 19-02-2024 / EU / 015050698-0006  
[51] Cl. 3-01  
[54] 袋  
Bag  
[73] Rimowa GmbH  
Richard-Byrd-Str. 13,  
50829 Cologne,  
Germany  
[74] ROBIN BRIDGE & JOHN LIU  
6th Floor, Emperor Commercial Centre,  
39 Des Voeux Road Central,  
Hong Kong



- 
- [11] 2423699.6  
[15] 16-07-2024  
[30] 24-01-2024 / JP / 2024-001259  
[51] Cl. 21-03  
[54] 遊戲機  
Game machine  
[73] 日商寶多美亞茲股份有限公司  
T-ARTS Company, ltd.  
7-9-10 Tateishi, Katsushika-ku, Tokyo,  
Japan  
  
日商·驚嘆公司  
Marvelous Inc.  
12-8, Higashi-Shinagawa 4-chome, Shinagawa-ku, Tokyo,  
Japan

[74] IPWELL INTERNATIONAL INTELLECTUAL PROPERTY COMPANY LIMITED  
Unit A, 2/F, Hung To Centre,  
94-96 How Ming Street, Kwun Tong,  
Hong Kong



---

[11] 2423705.1

[15] 16-07-2024

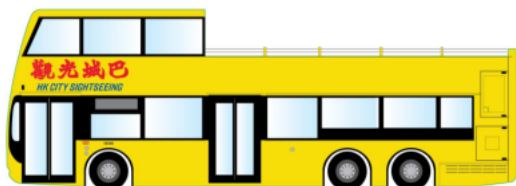
[51] Cl. 12-08

[54] 巴士塗裝

Bus livery

[73] CITYBUS LIMITED  
8 Chong Fu Road,  
Chai Wan,  
Hong Kong

[74] ELLALAN  
26th - 28th Floors, The Hennessy,  
256 Hennessy Road, Wanchai,  
Hong Kong



---

[11] 2423724.0M001

[15] 18-07-2024

[30] 19-01-2024 / US / 29/924,750

[51] Cl. 13-02

[54] 電池盒

Case for battery

[73] 蘋果公司

APPLE INC.

ONE APPLE PARK WAY CUPERTINO,

CALIFORNIA 95014,

UNITED STATES OF AMERICA

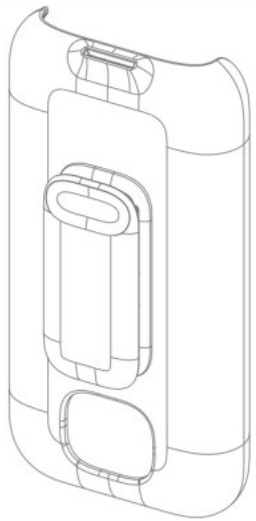
[74] BARRON & YOUNG INTELLECTUAL PROPERTY LIMITED

Suite 617, Lakeside 2,

No. 10 Science Park West Avenue,

Hong Kong Science Park, Shatin,

New Territories, Hong Kong



[11] 2423724.0M002

[15] 18-07-2024

[30] 19-01-2024 / US / 29/924,750

[51] Cl. 13-02

[54] 電池盒夾

Clip for battery case

[73] 蘋果公司

APPLE INC.

ONE APPLE PARK WAY CUPERTINO,

CALIFORNIA 95014,

UNITED STATES OF AMERICA

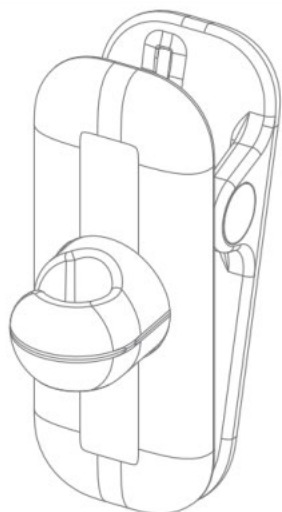
[74] BARRON & YOUNG INTELLECTUAL PROPERTY LIMITED

Suite 617, Lakeside 2,

No. 10 Science Park West Avenue,

Hong Kong Science Park, Shatin,

New Territories, Hong Kong



[11] 2423774.5

[15] 30-07-2024

[30] 30-01-2024 / US / 29/926,498

[51] Cl. 20-02

[54] 展示托盤

Display tray

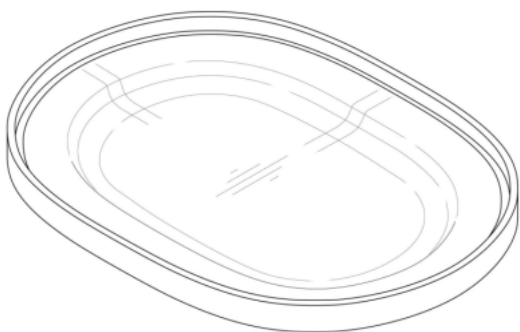
[73] 苹果公司

APPLE INC.

One Apple Park Way, Cupertino, California, 95014,  
UNITED STATES OF AMERICA

[74] CLT PATENT & TRADEMARK (H.K.) LIMITED

Unit 09, 34/F., Office Tower, Convention Plaza,  
1 Harbour Road, Wanchai,  
Hong Kong



[11] 2423777.2

[15] 30-07-2024

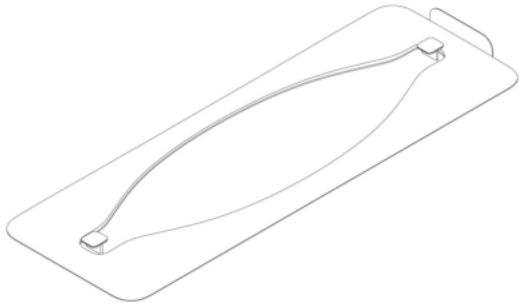
[30] 30-01-2024 / US / 29/926,500

[51] Cl. 9-03

[54] 用於頭戴式顯示器箍帶的包裝盒  
Packaging for band for head-mounted display

[73] 蘋果公司  
APPLE INC.  
One Apple Park Way, Cupertino, California, 95014,  
UNITED STATES OF AMERICA

[74] CLT PATENT & TRADEMARK (H.K.) LIMITED  
Unit 09, 34/F., Office Tower, Convention Plaza,  
1 Harbour Road, Wanchai,  
Hong Kong



---

[11] 2423779.6

[15] 30-07-2024

[30] 30-01-2024 / US / 29/926,502

[51] Cl. 9-03

[54] 用於頭戴式顯示器的遮光件的包裝件  
Packaging for light seal of head-mounted display

[73] 蘋果公司  
APPLE INC.  
One Apple Park Way, Cupertino, California, 95014,  
UNITED STATES OF AMERICA

[74] CLT PATENT & TRADEMARK (H.K.) LIMITED  
Unit 09, 34/F., Office Tower, Convention Plaza,  
1 Harbour Road, Wanchai,  
Hong Kong



[11] 2423780.8

[15] 30-07-2024

[30] 30-01-2024 / US / 29/926,499

[51] Cl. 9-03

[54] 用於頭戴式顯示器的束帶的包裝盒

Packaging for strap for head-mounted display

[73] 苹果公司

APPLE INC.

One Apple Park Way, Cupertino, California, 95014,

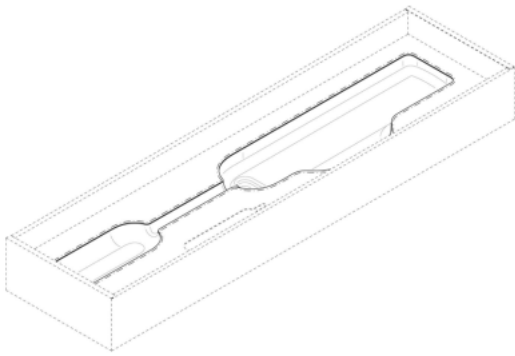
UNITED STATES OF AMERICA

[74] CLT PATENT & TRADEMARK (H.K.) LIMITED

Unit 09, 34/F., Office Tower, Convention Plaza,

1 Harbour Road, Wanchai,

Hong Kong



---

[11] 2423782.2

[15] 30-07-2024

[30] 30-01-2024 / US / 29/926,503

[51] Cl. 9-03

[54] 用於頭戴式顯示器保護罩的包裝盒

Packaging for cover for head-mounted display

[73] 苹果公司

APPLE INC.

One Apple Park Way, Cupertino, California, 95014,

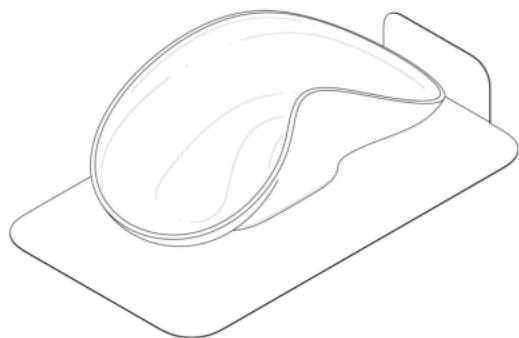
UNITED STATES OF AMERICA

[74] CLT PATENT & TRADEMARK (H.K.) LIMITED

Unit 09, 34/F., Office Tower, Convention Plaza,

1 Harbour Road, Wanchai,

Hong Kong



---

[11] 2423807.7

[15] 02-08-2024

[30] 02-02-2024 / EU / 015049576-0001

[51] Cl. 14-02

[54] 帶屏幕的互聯網終端

Internet terminal with screen

[73] DECATHLON

4 Boulevard de Mons,

59650 VILLENEUVE D'ASCQ,

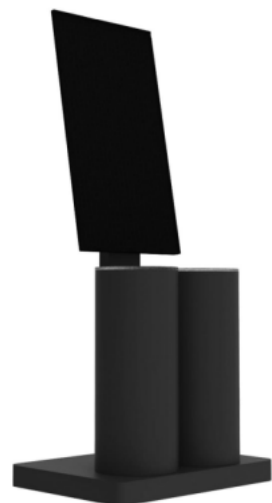
FRANCE

[74] WAN HUI DA (ASIA PACIFIC) CONSULTING LIMITED

Suite 1903, Central Plaza,

18 Harbour Road,

Hong Kong



---

[11] 2423813.9

[15] 05-08-2024

[30] 06-02-2024 / GB, EU / DM/235325

[51] Cl. 12-08



[54] 汽車

Car

[73] FERRARI S.p.A.

VIA EMILIA EST 1163,

I-41100 MODENA,

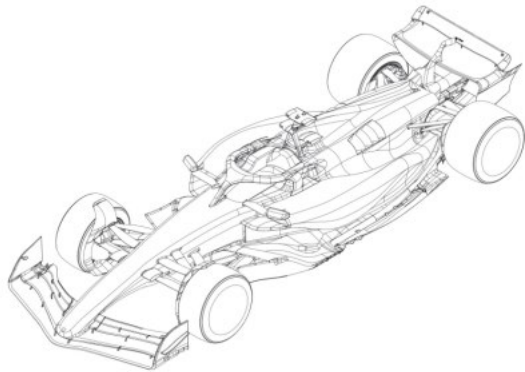
ITALY

[74] CHINA PATENT AGENT (HONG KONG) LIMITED

22/F, Great Eagle Centre,

23 Harbour Road, Wanchai,

Hong Kong



---

[11] 2423814.1

[15] 05-08-2024

[30] 06-02-2024 / GB, EU / DM/235113

[51] C1. 21-01

[54] 玩具車

Toy car

[73] FERRARI S.p.A.

VIA EMILIA EST 1163,

I-41100 MODENA,

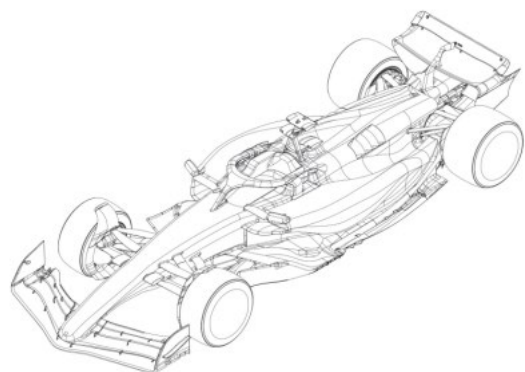
ITALY

[74] CHINA PATENT AGENT (HONG KONG) LIMITED

22/F, Great Eagle Centre,

23 Harbour Road, Wanchai,

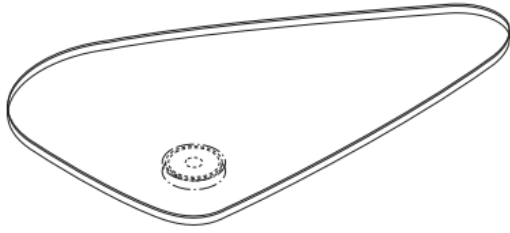
Hong Kong



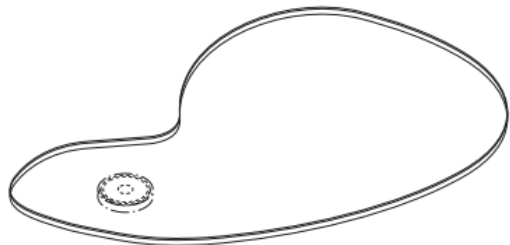
- [11] 2423815.4  
[15] 05-08-2024  
[30] 05-02-2024 / CN, RU, SG, CH, TR, GB, EU, JP / DM/236130  
[51] Cl. 10-02  
[54] 錶  
Watch  
[73] Hublot SA, Genève  
Rue du Rhône 86,  
1204 Geneva,  
SWITZERLAND  
[74] ATL LAW OFFICES  
16/F., China Hong Kong Tower,  
8-12 Hennessy Road, Wanchai,  
Hong Kong



- 
- [11] 2423819.2M001  
[15] 06-08-2024  
[30] 22-02-2024 / JP / 2024-003723  
[51] Cl. 28-03  
[54] 化妝用組件的薄片  
Cosmetic pack sheet  
[73] 久光製藥株式會社  
HISAMITSU PHARMACEUTICAL CO., INC.  
408, Tashirodaikan-machi,  
Tosu-shi, Saga 841-0017,  
JAPAN  
[74] WILKINSON & GRIST  
11th Floor, Great Eagle Centre,  
23 Harbour Road,  
Hong Kong



- 
- [11] 2423819.2M002  
[15] 06-08-2024  
[30] 22-02-2024 / JP / 2024-003730  
[51] Cl. 28-03  
[54] 化妝用組件的薄片  
Cosmetic pack sheet  
[73] 久光製藥株式會社  
HISAMITSU PHARMACEUTICAL CO., INC.  
408, Tashirodaikan-machi,  
Tosu-shi, Saga 841-0017,  
JAPAN  
[74] WILKINSON & GRIST  
11th Floor, Great Eagle Centre,  
23 Harbour Road,  
Hong Kong



- 
- [11] 2423824.2  
[15] 08-08-2024  
[51] Cl. 20-99  
[54] 用於廣告宣傳和展示的吉祥物  
Mascot for promotion and advertisement  
[73] 翠華品牌(香港)有限公司  
TSUI WAH PATENT (HONG KONG) LIMITED  
Unit A, 3/F, Sunking Industry Building,  
1-7 Shing Chuen Road, Tai Wai,  
Sha Tin, New Territories,  
Hong Kong

[74] ACCOLADE IP LIMITED  
10/F, Fu Fai Comm. Ctr.,  
27 Hillier Street, Sheung Wan,  
Hong Kong

---



---

[11] 2423834.3M001  
[15] 09-08-2024  
[30] 15-02-2024 / EU / 015065604-0001  
[51] Cl. 8-08  
[54] 毛巾鉤  
Towel hook  
[73] Dornbracht AG & Co. KG  
Köbbingser Mühle 6,  
58640 Iserlohn,  
GERMANY  
[74] WILKINSON & GRIST  
11th Floor, Great Eagle Centre,  
23 Harbour Road,  
Hong Kong



---

[11] 2423834.3M002

[15] 09-08-2024

[30] 15-02-2024 / EU / 015065604-0002

[51] Cl. 8-08

[54] 毛巾鉤

Towel hook

[73] Dornbracht AG & Co. KG

Köbbingser Mühle 6,

58640 Iserlohn,

GERMANY

[74] WILKINSON & GRIST

11th Floor, Great Eagle Centre,

23 Harbour Road,

Hong Kong



---

[11] 2423835.6

[15] 09-08-2024

[51] Cl. 10-07

[54] 錶頭

Watch head

[73] 意飛鐘錶有限公司

INSPO WATCHES COMPANY LIMITED

香港

屯門建發街 13 號

建發工業大廈 6 樓 13 室

[74] HONG KONG DECENT INTELLECTUAL PROPERTY AGENT LIMITED

香港

文咸東街 78 號

華東商業大廈三樓



[11] 2423840.6

[15] 26-03-2024

[30] 27-09-2023 / CN / 2023306345693

[51] C1. 21-01

[54] 玩具（飛船造型）

Toys (spaceship shape)

[73] 汕頭市兒超喜智能科技實業有限公司

中國

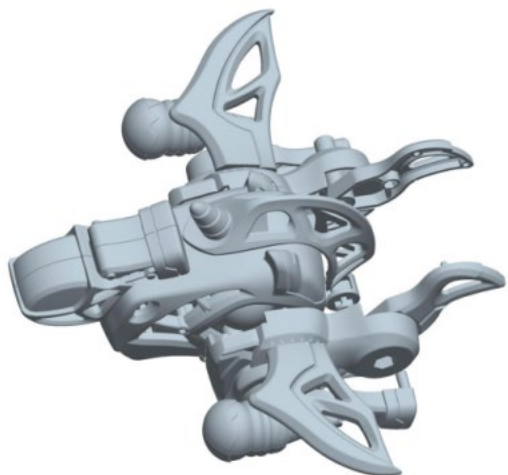
廣東省汕頭市澄海區廣益街道登峰路廣峰工業區 3 號

[74] HKIPA LIMITED

香港

新界白石角香港科學園第三期

科技大道西 12 號 2 樓 230 室



---

[11] 2423847.1

[15] 13-08-2024

[30] 29-02-2024 / CH / 147901

[51] Cl. 2-07

[54] 袖扣

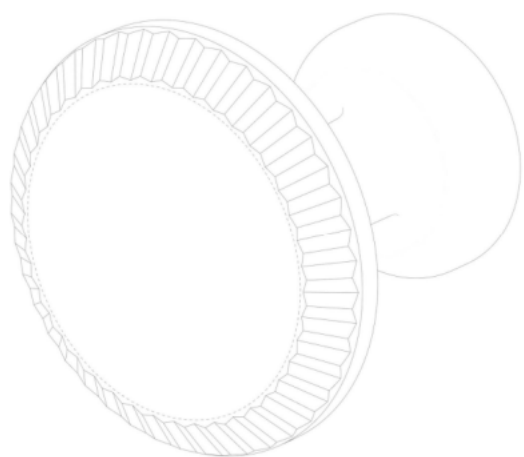
Cufflink

[73] ROLEX SA

Rue François-Dussaud 3-5-7,  
1211 Genève 26,  
SWITZERLAND

[74] DEACONS

5th Floor, Alexandra House,  
Central,  
Hong Kong



---

[11] 2423848.3

[15] 13-08-2024

[30] 29-02-2024 / CH / 147900

[51] Cl. 2-07

[54] 袖扣

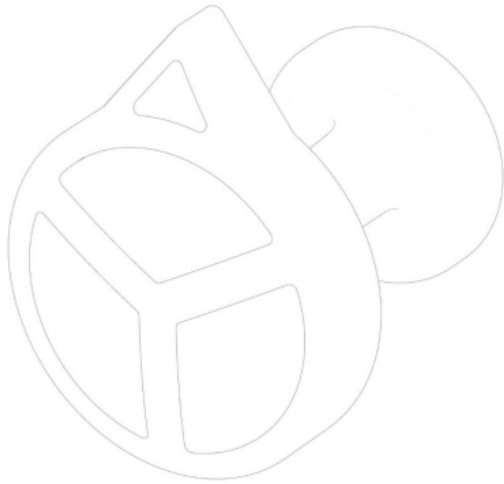
Cufflink

[73] ROLEX SA

Rue François-Dussaud 3-5-7,  
1211 Genève 26,  
SWITZERLAND

[74] DEACONS

5th Floor, Alexandra House,  
Central,  
Hong Kong



---

[11] 2423849.5

[15] 13-08-2024

[51] Cl. 7-03

[54] 勺子

Scoop

[73] 皇固包裝製品(深圳)有限公司

Fancy Packaging (Shenzhen) Company Limited  
中國

廣東省深圳市龍崗區平湖街道鵝公嶺社區

鳳凰大道鳳門工業園 3 號

A 棟 101、201、301、401、B 棟 1-5 層

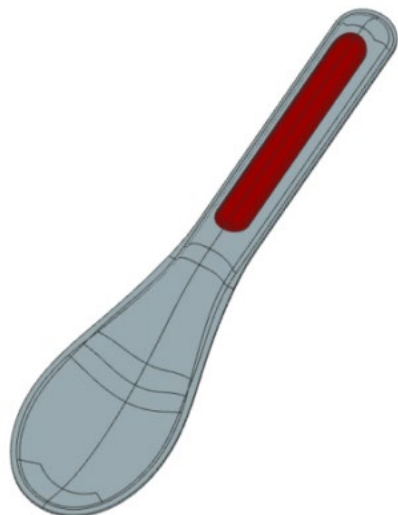
[74] 中港專利有限公司

香港

灣仔告士打道 151 號

資本中心 15 樓 1502 室





---

[11] 2423851.9

[15] 14-08-2024

[30] 16-05-2024 / KR / 30-2024-0018797

[51] Cl. 15-05

[54] 船舶清潔機器人

Robot for ship cleaning

[73] 塔斯全球有限公司

TAS GLOBAL CO., LTD.

96, Nakdongnam-ro 533beon-gil,

Gangseo-gu, Busan 46728,

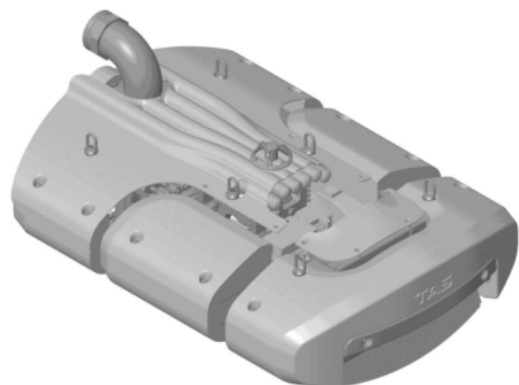
REPUBLIC OF KOREA

[74] CHINA PATENT AGENT (HONG KONG) LIMITED

22/F, Great Eagle Centre,

23 Harbour Road, Wanchai,

Hong Kong



---

[11] 2423861.0

[15] 15-08-2024

[51] Cl. 7-02

[54] 飯盒  
Container

[73] 台山长江塑料制品有限公司  
TAISHAN CHANGJIANG PLASTIC PRODUCT CO., LTD  
中國  
中国广东省江门市台山大江镇工业开发南区  
(邮编: 529000)

[74] 卓遠知識產權有限公司  
香港  
上環禧利街 27 號  
富輝商業中心 10 樓



---

[11] 2423869.7M001

[15] 16-08-2024

[30] 16-02-2024 / US / 29/928,954

[51] Cl. 14-02

[54] 電子裝置  
Electronic device

[73] 苹果公司  
APPLE INC.  
One Apple Park Way, Cupertino, California, 95014,  
UNITED STATES OF AMERICA

[74] CLT PATENT & TRADEMARK (H.K.) LIMITED  
Unit 09, 34/F., Office Tower, Convention Plaza,  
1 Harbour Road, Wanchai,  
Hong Kong



---

[11] 2423869.7M002

[15] 16-08-2024

[30] 16-02-2024 / US / 29/928,954

[51] Cl. 14-02

[54] 電子裝置

Electronic device

[73] 苹果公司

APPLE INC.

One Apple Park Way, Cupertino, California, 95014,  
UNITED STATES OF AMERICA

[74] CLT PATENT & TRADEMARK (H.K.) LIMITED

Unit 09, 34/F., Office Tower, Convention Plaza,  
1 Harbour Road, Wanchai,  
Hong Kong



---

[11] 2423869.7M003

[15] 16-08-2024

[30] 16-02-2024 / US / 29/928,954

[51] Cl. 14-02

[54] 電子裝置

Electronic device

[73] 苹果公司

APPLE INC.

One Apple Park Way, Cupertino, California, 95014,  
UNITED STATES OF AMERICA

- [74] CLT PATENT & TRADEMARK (H.K.) LIMITED  
Unit 09, 34/F., Office Tower, Convention Plaza,  
1 Harbour Road, Wanchai,  
Hong Kong



---

[11] 2423872.3M001

[15] 16-08-2024

[51] Cl. 11-01

[54] 珠寶飾品  
Jewellery ornament

[73] 周大福珠宝金行(深圳)有限公司  
CHOW TAI FOOK JEWELLERY (SHENZHEN) CO., LTD.  
中國  
广东省深圳市盐田区深盐路  
黄金珠宝大厦12楼A座

[74] 中一聯合國際知識產權有限公司  
香港  
九龍觀塘興業街20號  
聯合興業工業大廈5樓A26室



[11] 2423872.3M002

[15] 16-08-2024

[51] Cl. 11-01

[54] 珠寶飾品

Jewellery ornament

[73] 周大福珠宝金行(深圳)有限公司

CHOW TAI FOOK JEWELLERY (SHENZHEN) CO., LTD.

中國

广东省深圳市盐田区深盐路

黄金珠宝大厦 12 楼 A 座

[74] 中一聯合國際知識產權有限公司

香港

九龍觀塘興業街 20 號

聯合興業工業大廈 5 樓 A26 室



[11] 2423872.3M003

[15] 16-08-2024

[51] Cl. 11-01

[54] 珠寶飾品

Jewellery ornament

[73] 周大福珠宝金行(深圳)有限公司

CHOW TAI FOOK JEWELLERY (SHENZHEN) CO., LTD.

中國

广东省深圳市盐田区深盐路

黄金珠宝大厦 12 楼 A 座

[74] 中一聯合國際知識產權有限公司

香港

九龍觀塘興業街 20 號

聯合興業工業大廈 5 樓 A26 室



[11] 2423872.3M004

[15] 16-08-2024

[51] Cl. 11-01

[54] 珠寶飾品

Jewellery ornament

[73] 周大福珠寶金行(深圳)有限公司

CHOW TAI FOOK JEWELLERY (SHENZHEN) CO., LTD.

中國

廣東省深圳市鹽田區深鹽路

黃金珠寶大廈 12 樓 A 座

[74] 中一聯合國際知識產權有限公司

香港

九龍觀塘興業街 20 號

聯合興業工業大廈 5 樓 A26 室



[11] 2423872.3M005

[15] 16-08-2024

[51] Cl. 11-01

[54] 珠寶飾品

Jewellery ornament

[73] 周大福珠宝金行(深圳)有限公司

CHOW TAI FOOK JEWELLERY (SHENZHEN) CO., LTD.

中國

广东省深圳市盐田区深盐路

黄金珠宝大厦 12 楼 A 座

[74] 中一聯合國際知識產權有限公司

香港

九龍觀塘興業街 20 號

聯合興業工業大廈 5 樓 A26 室



---

[11] 2423872.3M006

[15] 16-08-2024

[51] Cl. 11-01

[54] 珠寶飾品

Jewellery ornament

[73] 周大福珠宝金行(深圳)有限公司

CHOW TAI FOOK JEWELLERY (SHENZHEN) CO., LTD.

中國

广东省深圳市盐田区深盐路

黄金珠宝大厦 12 楼 A 座

[74] 中一聯合國際知識產權有限公司

香港

九龍觀塘興業街 20 號

聯合興業工業大廈 5 樓 A26 室



[11] 2423872.3M007

[15] 16-08-2024

[51] Cl. 11-01

[54] 珠寶飾品

Jewellery ornament

[73] 周大福珠寶金行(深圳)有限公司

CHOW TAI FOOK JEWELLERY (SHENZHEN) CO., LTD.

中國

廣東省深圳市鹽田區深鹽路

黃金珠寶大廈12樓A座

[74] 中一聯合國際知識產權有限公司

香港

九龍觀塘興業街20號

聯合興業工業大廈5樓A26室



[11] 2423872.3M008

[15] 16-08-2024

[51] Cl. 11-01



[54] 珠寶飾品

Jewellery ornament

[73] 周大福珠寶金行(深圳)有限公司

CHOW TAI FOOK JEWELLERY (SHENZHEN) CO., LTD.

中國

廣東省深圳市鹽田區深鹽路

黃金珠寶大廈 12 樓 A 座

[74] 中一聯合國際知識產權有限公司

香港

九龍觀塘興業街 20 號

聯合興業工業大廈 5 樓 A26 室



[11] 2423872.3M009

[15] 16-08-2024

[51] Cl. 11-01

[54] 珠寶飾品

Jewellery ornament

[73] 周大福珠寶金行(深圳)有限公司

CHOW TAI FOOK JEWELLERY (SHENZHEN) CO., LTD.

中國

廣東省深圳市鹽田區深鹽路

黃金珠寶大廈 12 樓 A 座

[74] 中一聯合國際知識產權有限公司

香港

九龍觀塘興業街 20 號

聯合興業工業大廈 5 樓 A26 室



[11] 2423872.3M010

[15] 16-08-2024

[51] Cl. 11-01

[54] 珠寶飾品

Jewellery ornament

[73] 周大福珠宝金行(深圳)有限公司

CHOW TAI FOOK JEWELLERY (SHENZHEN) CO., LTD.

中國

广东省深圳市盐田区深盐路

黄金珠宝大厦 12 楼 A 座

[74] 中一聯合國際知識產權有限公司

香港

九龍觀塘興業街 20 號

聯合興業工業大廈 5 樓 A26 室



[11] 2423872.3M011

[15] 16-08-2024

[51] Cl. 11-01

[54] 珠寶飾品

Jewellery ornament

[73] 周大福珠宝金行(深圳)有限公司

CHOW TAI FOOK JEWELLERY (SHENZHEN) CO., LTD.

中國

广东省深圳市盐田区深盐路

黄金珠宝大厦 12 楼 A 座

[74] 中一聯合國際知識產權有限公司

香港

九龍觀塘興業街 20 號

聯合興業工業大廈 5 樓 A26 室



---

[11] 2423872.3M012

[15] 16-08-2024

[51] Cl. 11-01

[54] 珠寶飾品

Jewellery ornament

[73] 周大福珠宝金行(深圳)有限公司

CHOW TAI FOOK JEWELLERY (SHENZHEN) CO., LTD.

中國

广东省深圳市盐田区深盐路

黄金珠宝大厦 12 楼 A 座

[74] 中一聯合國際知識產權有限公司

香港

九龍觀塘興業街 20 號

聯合興業工業大廈 5 樓 A26 室



[11] 2423872.3M013

[15] 16-08-2024

[51] Cl. 11-01

[54] 珠寶飾品

Jewellery ornament

[73] 周大福珠宝金行(深圳)有限公司

CHOW TAI FOOK JEWELLERY (SHENZHEN) CO., LTD.

中國

广东省深圳市盐田区深盐路

黄金珠宝大厦 12 楼 A 座

[74] 中一聯合國際知識產權有限公司

香港

九龍觀塘興業街 20 號

聯合興業工業大廈 5 樓 A26 室



[11] 2423895.2

[15] 26-08-2024

[30] 27-02-2024 / CN, SG, CH, GB, EU, JP, KR / DM/235566

[51] Cl. 2-07

[54] 搭扣

Buckle

[73] CARTIER INTERNATIONAL AG

Hinterbergstrasse 22

6312 STEINHAUSEN

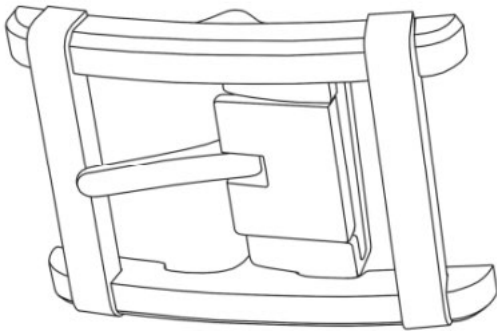
SWITZERLAND

[74] CHINA PATENT AGENT (HONG KONG) LIMITED

22/F, Great Eagle Centre,

23 Harbour Road, Wanchai,

Hong Kong



---

[11] 2423896.4

[15] 26-08-2024

[30] 27-02-2024 / CA, CN, SG, CH, GB, US, EU, JP, KR / DM/235565

[51] Cl. 3-01

[54] 肩包

Shoulder bag

[73] CARTIER INTERNATIONAL AG

Hinterbergstrasse 22,

6312 STEINHAUSEN,

SWITZERLAND

[74] CHINA PATENT AGENT (HONG KONG) LIMITED

22/F, Great Eagle Centre,

23 Harbour Road, Wanchai,

Hong Kong



[11] 2423898.8

[15] 26-08-2024

[51] Cl. 14-02

[54] 銷售點終端機

Point-of-sale terminal

[73] 李挺

LI TING

香港

九龍觀塘鴻圖道 44-46 號

世紀工商中心 10 樓 1007G 室

[74] 李挺

香港

九龍觀塘鴻圖道 44-46 號

世紀工商中心 10 樓 1007G 室



- [11] 2423900.4M001  
[15] 26-08-2024  
[30] 28-06-2024 / CN / 2024304007199  
[51] Cl. 11-01  
[54] 珠寶飾品  
Jewellery ornament  
[73] 周大福珠宝金行(深圳)有限公司  
CHOW TAI FOOK JEWELLERY (SHENZHEN) CO., LTD.  
中國  
广东省深圳市盐田区深盐路  
黄金珠宝大厦 12 楼 A 座  
[74] 中一聯合國際知識產權有限公司  
香港  
九龍觀塘興業街 20 號  
聯合興業工業大廈 5 樓 A26 室



- 
- [11] 2423900.4M002  
[15] 26-08-2024  
[30] 28-06-2024 / CN / 2024304007199  
[51] Cl. 11-01  
[54] 珠寶飾品  
Jewellery ornament  
[73] 周大福珠宝金行(深圳)有限公司  
CHOW TAI FOOK JEWELLERY (SHENZHEN) CO., LTD.  
中國  
广东省深圳市盐田区深盐路  
黄金珠宝大厦 12 楼 A 座  
[74] 中一聯合國際知識產權有限公司  
香港  
九龍觀塘興業街 20 號  
聯合興業工業大廈 5 樓 A26 室



---

[11] 2423900.4M003

[15] 26-08-2024

[30] 28-06-2024 / CN / 2024304007199

[51] Cl. 11-01

[54] 珠寶飾品

Jewellery ornament

[73] 周大福珠宝金行(深圳)有限公司

CHOW TAI FOOK JEWELLERY (SHENZHEN) CO., LTD.

中國

广东省深圳市盐田区深盐路

黄金珠宝大厦 12 楼 A 座

[74] 中一聯合國際知識產權有限公司

香港

九龍觀塘興業街 20 號

聯合興業工業大廈 5 樓 A26 室





- [11] 2423900.4M004  
[15] 26-08-2024  
[30] 28-06-2024 / CN / 2024304006887  
[51] Cl. 11-01  
[54] 珠寶飾品  
Jewellery ornament  
[73] 周大福珠寶金行(深圳)有限公司  
CHOW TAI FOOK JEWELLERY (SHENZHEN) CO., LTD.  
中國  
廣東省深圳市鹽田區深鹽路  
黃金珠寶大廈 12 樓 A 座  
[74] 中一聯合國際知識產權有限公司  
香港  
九龍觀塘興業街 20 號  
聯合興業工業大廈 5 樓 A26 室



- 
- [11] 2423900.4M005  
[15] 26-08-2024  
[30] 28-06-2024 / CN / 2024304006887  
[51] Cl. 11-01  
[54] 珠寶飾品  
Jewellery ornament  
[73] 周大福珠寶金行(深圳)有限公司  
CHOW TAI FOOK JEWELLERY (SHENZHEN) CO., LTD.  
中國  
廣東省深圳市鹽田區深鹽路  
黃金珠寶大廈 12 樓 A 座

- [74] 中一聯合國際知識產權有限公司  
香港  
九龍觀塘興業街 20 號  
聯合興業工業大廈 5 樓 A26 室



- 
- [11] 2423900.4M006  
[15] 26-08-2024  
[30] 28-06-2024 / CN / 2024304006887  
[51] Cl. 11-01  
[54] 珠寶飾品  
Jewellery ornament  
[73] 周大福珠寶金行(深圳)有限公司  
CHOW TAI FOOK JEWELLERY (SHENZHEN) CO., LTD.  
中國  
廣東省深圳市鹽田區深鹽路  
黃金珠寶大廈 12 樓 A 座  
[74] 中一聯合國際知識產權有限公司  
香港  
九龍觀塘興業街 20 號  
聯合興業工業大廈 5 樓 A26 室



---

[11] 2423901.6

[15] 26-08-2024

[51] Cl. 11-01

[54] 寶石

Precious stone

[73] Blissful Collections Ltd.

16th Floor, Multifield Centre,

426 Shanghai Street,

Mongkok, Kowloon,

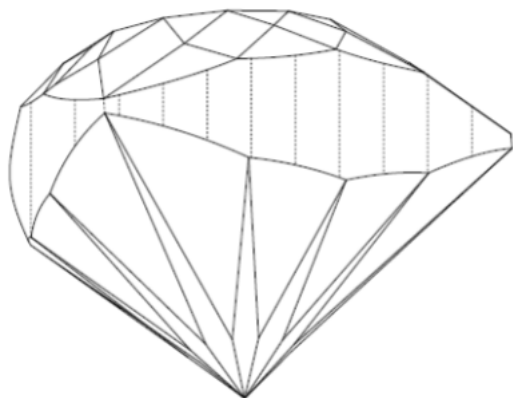
HONG KONG

[74] HNC INNOVATION LIMITED

Units 1205-1208, Cyberport 2,

No. 100 Cyberport Road,

Hong Kong



---

[11] 2423902.8

[15] 27-08-2024

[30] 03-04-2024 / JP / 2024-006989

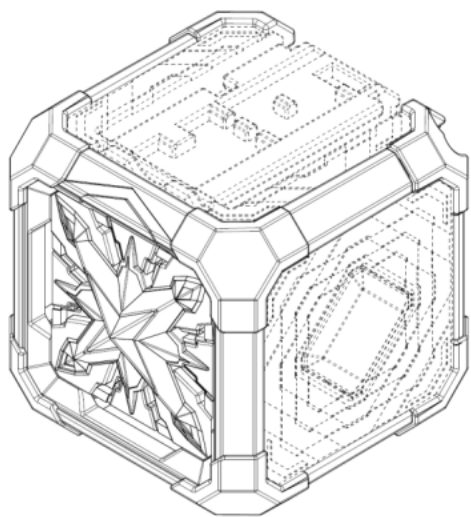
[51] Cl. 21-01

[54] 立方體玩具的主體

Main body of cubic toy

[73] 株式會社萬代  
BANDAI CO., LTD.  
4-8, Komagata 1-chome, Taito-ku, Tokyo,  
Japan

[74] 范紀羅江律師行  
香港  
灣仔港灣道 6-8 號  
瑞安中心 23 樓



---

[11] 2423904.2

[15] 27-08-2024

[30] 09-05-2024 / JP / 2024-009351

[51] Cl. 21-01

[54] 人形玩具  
Toy figurine

[73] 株式會社萬代  
BANDAI CO., LTD.  
4-8, Komagata 1-chome, Taito-ku, Tokyo,  
Japan

[74] 范紀羅江律師行  
香港  
灣仔港灣道 6-8 號  
瑞安中心 23 樓



[11] 2423908.1M001

[15] 27-08-2024

[51] Cl. 3-01

[54] 繩帶

Rope strap

[73] Casetagram Limited

18/F, NEO,

123 Hoi Bun Road, Kwun Tong, Kowloon,

HONG KONG

[74] Casetagram Limited

18/F, NEO,

123 Hoi Bun Road, Kwun Tong, Kowloon,

Hong Kong



[11] 2423908.1M002

[15] 27-08-2024

[51] Cl. 3-01

[54] 繩帶

Rope strap

[73] Casetagram Limited

18/F, NEO,

123 Hoi Bun Road, Kwun Tong, Kowloon,

HONG KONG

[74] Casetagram Limited

18/F, NEO,

123 Hoi Bun Road, Kwun Tong, Kowloon,

Hong Kong



---

[11] 2423908.1M003

[15] 27-08-2024

[51] Cl. 3-01

[54] 繩帶

Rope strap

[73] Casetagram Limited

18/F, NEO,

123 Hoi Bun Road, Kwun Tong, Kowloon,

HONG KONG

[74] Casetagram Limited

18/F, NEO,

123 Hoi Bun Road, Kwun Tong, Kowloon,

Hong Kong



---

[11] 2423910.5M001

[15] 27-08-2024

[30] 28-02-2024 / EU / 015052116-0001

[51] Cl. 7-02

[54] 空氣炸鍋

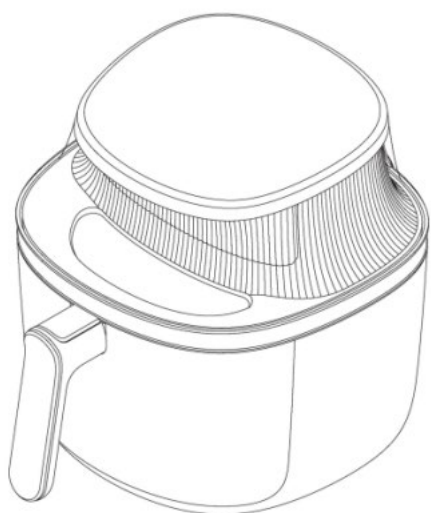
Air fryer

[73] VERSUNI HOLDING B.V.

HIGH TECH CAMPUS 42, 5656AE EINDHOVEN,  
NETHERLANDS

[74] CHANG TSI AND PARTNERS INTELLECTUAL PROPERTY (HK) LIMITED

Level 20, One International Finance Centre,  
No. 1 Harbour View Street, Central,  
Hong Kong



[11] 2423910.5M002

[15] 27-08-2024

[30] 28-02-2024 / EU / 015052116-0003

[51] Cl. 7-02

[54] 空氣炸鍋

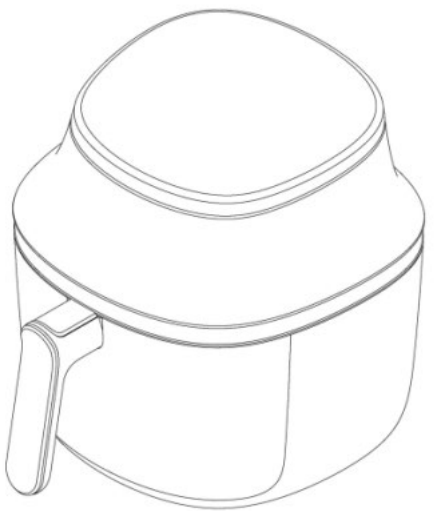
Air fryer

[73] VERSUNI HOLDING B.V.

HIGH TECH CAMPUS 42, 5656AE EINDHOVEN,  
NETHERLANDS

[74] CHANG TSI AND PARTNERS INTELLECTUAL PROPERTY (HK) LIMITED

Level 20, One International Finance Centre,  
No. 1 Harbour View Street, Central,  
Hong Kong



[11] 2423910.5M003

[15] 27-08-2024

[30] 28-02-2024 / EU / 015052116-0009

[51] Cl. 7-02

[54] 空氣炸鍋的籃子

Basket for air fryer

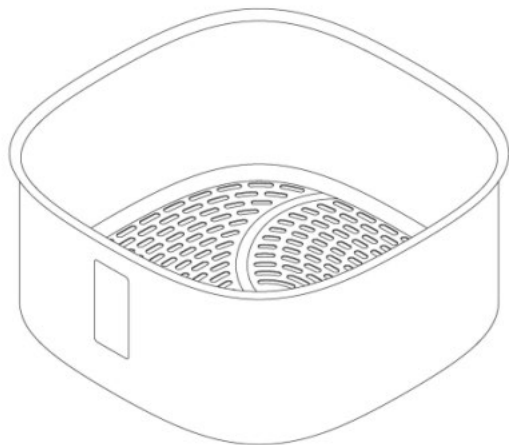
[73] VERSUNI HOLDING B.V.

HIGH TECH CAMPUS 42, 5656AE EINDHOVEN,  
NETHERLANDS

[74] CHANG TSI AND PARTNERS INTELLECTUAL PROPERTY (HK) LIMITED

Level 20, One International Finance Centre,  
No. 1 Harbour View Street, Central,  
Hong Kong





---

[11] 2423911.7

[15] 28-08-2024

[30] 29-02-2024 / EU / 015052205

[51] Cl. 2-07

[54] 搭扣

Buckle

[73] ROGER VIVIER S.P.A.

Via Filippo Della Valle 1,  
I-63811 SANT'ELPIDIO A MARE (Fermo),  
ITALY

[74] CHINA PATENT AGENT (HONG KONG) LIMITED

22/F, Great Eagle Centre,  
23 Harbour Road, Wanchai,  
Hong Kong



---

[11] 2423913.1

[15] 28-08-2024

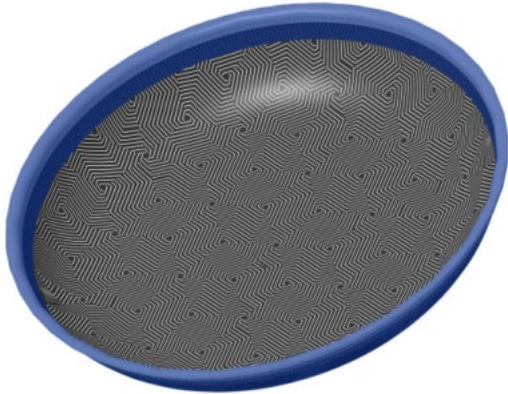
[51] Cl. 7-02

[54] 烹飪鍋

Cooking pan

[73] 江门市依山金属制品有限公司  
Jiangmen Yishan Metal Products Co., Ltd.  
中國  
广东省江门市新会区司前镇石名村  
交贝山、钮山、大岭头、企坎等 (邮编: 529100)

[74] 中港專利有限公司  
香港  
灣仔告士打道 151 號  
資本中心 15 樓 1502 室



---

[11] 2423914.3

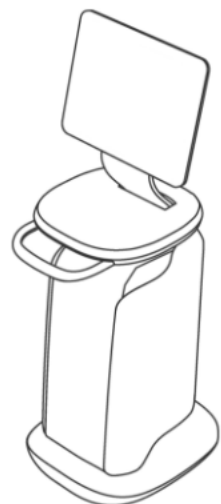
[15] 28-08-2024

[51] Cl. 24-01

[54] 醫療數據採集設備  
Medical data acquisition device

[73] Conova Medical Technology Limited  
601 Albion Plaza,  
2-6 Granville Road, Tsim Sha Tsui,  
Kowloon, HONG KONG

[74] LETTERS & THOO LIMITED  
Suite 1001-1003, 10/F, Prosperity Millennia Plaza,  
663 King's Road, Quarry Bay,  
Hong Kong



[11] 2423915.6

[15] 29-08-2024

[51] Cl. 28-02

[54] 化妝品容器

Cosmetic container

[73] LCM Cosmetic Co., Ltd.

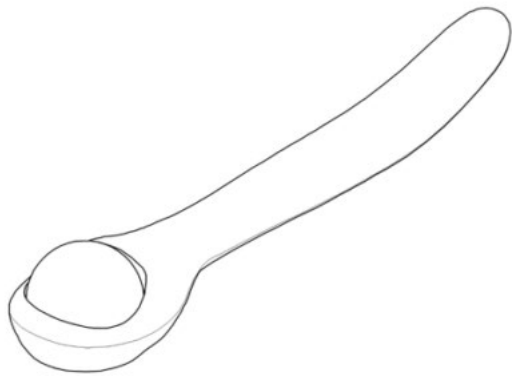
(Yongsan PRUGIO SUMMIT, Hangangno 2-ga) 602-ho,  
Business District, 69 Hangangdaero,  
Yongsan-gu, Seoul,  
REPUBLIC OF KOREA

[74] VIVIEN CHAN & CO

32/F, Harbour Centre,  
25 Harbour Road, Wanchai,  
Hong Kong



- [11] 2423917.0  
[15] 29-08-2024  
[30] 05-07-2024 / JP / 2024-013968  
[51] C1. 28-03  
[54] 帶眼部按摩球的刮勺  
Spatula with eye massage ball  
[73] Shiseido Company, Limited  
5-5, Ginza 7-chome, Chuo-ku,  
Tokyo 104-0061,  
JAPAN  
[74] WENPING PATENT & TRADE MARK AGENT LIMITED  
1701 Tung Wai Commercial Building,  
111 Gloucester Road,  
Hong Kong



- 
- [11] 2423920.6  
[15] 29-08-2024  
[51] C1. 9-01  
[54] 瓶  
Jar  
[73] LOTUS BAKERIES  
Gentstraat 1,  
9971 Lembeke,  
BELGIUM  
[74] WENPING PATENT & TRADE MARK AGENT LIMITED  
1701 Tung Wai Commercial Building,  
111 Gloucester Road,  
Hong Kong



[11] 2423922.0

[15] 26-03-2024

[30] 27-09-2023 / CN / 2023306345316

27-09-2023 / CN / 2023306345547

[51] C1. 21-01

[54] 玩具 (大炮造型)

Toys (cannon shape)

[73] 汕頭市兒超喜智能科技實業有限公司

中國

廣東省汕頭市澄海區

廣益街道登峰路廣峰工業區 3 號

[74] HKIPA LIMITED

香港

新界白石角香港科學園第三期

科技大道西 12 號 2 樓 230 室



[11] 2423924.4

[15] 26-03-2024

[30] 27-09-2023 / CN / 2023306345528  
27-09-2023 / CN / 2023306345782

[51] Cl. 21-01

[54] 玩具 (跳跳龍造型)  
Toys (leaping dragon shape)

[73] 汕頭市兒超喜智能科技實業有限公司  
中國  
廣東省汕頭市澄海區  
廣益街道登峰路廣峰工業區 3 號

[74] HKIPA LIMITED  
香港  
新界白石角香港科學園第三期  
科技大道西 12 號 2 樓 230 室



---

[11] 2423926.9

[15] 30-08-2024

[51] Cl. 23-06

[54] 雙浴缸  
Double bathtub

[73] 深圳市海文深生物科技有限公司  
Shenzhen Curanjon Biology Technology Co., Ltd  
中國  
深圳市龙岗区平湖街道禾花社区华南大道 1 号  
华南国际印刷纸品包装物流区二期 2 号楼 A902

[74] 卓遠知識產權有限公司  
香港  
上環禧利街 27 號  
富輝商業中心 10 樓



---

[11] 2423930.7

[15] 30-08-2024

[30] 26-04-2024 / CN / 2024302439319

[51] Cl. 14-01

[54] 耳機

Earphone

[73] 深圳市韶音科技有限公司

Shenzhen Shokz Co., Ltd.

中國

廣東省深圳市寶安區石岩街道浪心社區

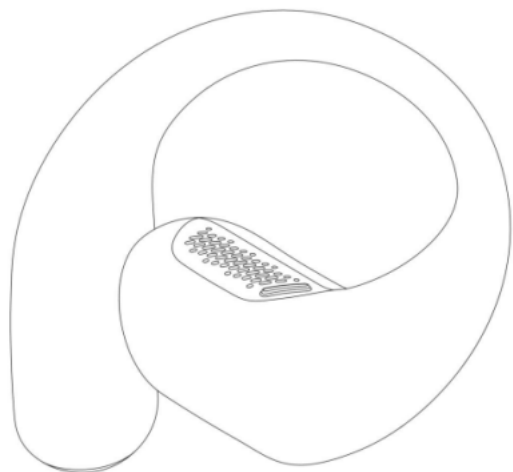
山城工業區 26 棟廠房一層至四層

[74] 中港知識產權有限公司

香港

灣仔告士打道 151 號

資本中心 15 樓 1502 室





香港特別行政區政府知識產權署外觀設計註冊處

The Government of the Hong Kong Special Administrative Region

Designs Registry, Intellectual Property Department

根據註冊外觀設計條例第 28 條，下列註冊外觀設計因未繳續期費而停止有效。

各組記項按註冊外觀設計停止有效日期及註冊編號先後次序排列。

**Registered designs ceased through non-payment of renewal fees under section 28 of the Registered Designs Ordinance. Entries are listed below under their expiry dates.**

**18-09-2024 - 25-09-2024**

<b>18-09-2024</b>	1401738.2M002	<b>24-09-2024</b>
1401731.7M001	1401739.4	1401778.6M001
1401731.7M002	1401741.8	1401778.6M002
1914681.0	1401742.0	1401778.6M003
1914686.1	1401743.2	1401789.9M001
1914687.3	1401744.4	1401789.9M002
1914688.5	1401745.7	1401790.1M001
1914689.7	1401747.1	1401790.1M002
1914690.9		1401791.3
1914691.1	<b>22-09-2024</b>	1401792.5
1914693.5	1401749.5	1401793.7
1914694.7M002	1401750.7	1401794.9
1914695.0	1401751.9	1401795.2
	1401752.1	1401796.4
<b>19-09-2024</b>	1401753.3	1401797.6
0412147.9	1401754.5	1401798.8
0412151.7	1401755.8	1914715.4M001
1914696.2M001	1401756.0	1914715.4M002
1914696.2M010	1401765.9M001	1914715.4M003
1914696.2M012	1401765.9M002	1914715.4M004
1914697.4	1401767.3	1914715.4M005
1914699.8	1401768.5	1914715.4M006
	1914702.6	1914715.4M007
<b>20-09-2024</b>	1914703.8	1914715.4M008
0412156.8		1914719.2
	<b>23-09-2024</b>	1914722.8M001
<b>21-09-2024</b>	1401769.7M001	1914722.8M002
0901547.0M001	1401769.7M002	
0901548.2M001	1401769.7M003	<b>25-09-2024</b>
0901548.2M002	1914709.1M001	1401799.0
0901549.4M001	1914709.1M002	1401800.4
0901549.4M002	1914710.3M001	1401801.6
0901549.4M003	1914710.3M002	1401802.8
1401738.2M001		1401803.0



1401804.2  
1401805.5M001  
1401805.5M002  
1401808.1  
1401814.3M001  
1401814.3M002  
1401815.6  
1914724.2M001  
1914724.2M002  
1914724.2M003  
1914724.2M004  
1914724.2M005  
1914724.2M006  
1914727.9M003  
1914727.9M004  
1914727.9M005  
1914727.9M006  
1914727.9M007  
1914727.9M008  
1914728.1  
1914729.3  
1914730.5  
2016239.8M005  
2016239.8M006  
2016239.8M007



香港特別行政區政府知識產權署外觀設計註冊處

The Government of the Hong Kong Special Administrative Region

Designs Registry, Intellectual Property Department

根據註冊外觀設計規則第 31 條刪除的註冊外觀設計。各組記項按註冊外觀設計刪除日期及註冊編號先後次序排列。

**Registered designs removed under section 31 of the Registered Designs Rules. Entries are listed below under their removal dates.**

**26-09-2024 - 03-10-2024**

<b>26-09-2024</b>	1913258.2M009	0900463.9
0410626.4M001	1913258.2M010	1400527.4M001
0410626.4M002	1913258.2M015	1400527.4M002
0410626.4M003	1913259.4M001	1400529.8M001
0410629.0	1913259.4M002	
1913237.8	1913261.8M001	<b>02-10-2024</b>
1913240.4	1913261.8M002	1400542.5
1913241.6	1913261.8M003	1913284.6M001
1913243.0	1913262.0M001	1913284.6M002
1913246.7	1913262.0M002	1913284.6M003
1913247.9	1913262.0M003	1913285.9M001
	1913263.2M001	1913285.9M002
<b>27-09-2024</b>	1913263.2M002	1913285.9M003
0900445.2M001	1913263.2M003	1913286.1
0900445.2M002	1913264.4	1913287.3
1400503.3	1913267.1	1913288.5
1913252.9M001		1913289.7
1913252.9M002	<b>29-09-2024</b>	1913290.9
1913252.9M003	1400525.0	1913291.1
1913253.1M001	1913270.7	1913293.5
1913253.1M002	1913271.9M001	1913295.0
1913254.3	1913271.9M002	1913297.4
	1913271.9M003	
<b>28-09-2024</b>	1913271.9M004	<b>03-10-2024</b>
1400523.5M001	1913271.9M005	0900476.7M002
1400523.5M002	1913271.9M006	1400553.8
1913257.0M001	1913273.3	1400557.7M001
1913257.0M002	1913274.5	1400557.7M002
1913257.0M003	1913275.8	1400560.3
1913257.0M004	1913277.2	1913301.4
1913257.0M005	1913278.4	1913303.8M001
1913258.2M002		1913303.8M002
1913258.2M007	<b>01-10-2024</b>	1913303.8M003
1913258.2M008	0900462.7	1913304.0M001

1913304.0M002

1913304.0M003

1913305.3M001

1913305.3M002

1913306.5M001

1913306.5M002

1913306.5M003

1913306.5M004

1913306.5M008

1913306.5M009

1913306.5M010

1913306.5M011

1913306.5M012