

香港知識產權公報

Hong Kong Intellectual Property Journal

2024年12月20日
20 December 2024

目錄 Contents

根據註冊外觀設計條例第 25 條註冊的外觀設計

Designs Registered under section 25 of the Registered Designs Ordinance

按註冊編號排列

Arranged by Registration Number

根據註冊外觀設計條例(第 522 章)公布的其他公告

Other Notices Published under the Registered Designs Ordinance (Cap. 522)

根據註冊外觀設計條例第 28 條，註冊外觀設計因未繳續期費而停止有效

Registered designs ceased through non-payment of renewal fees under section 28 of the Registered Designs Ordinance

根據註冊外觀設計規則第 31 條刪除的註冊外觀設計

Registered designs removed under section 31 of the Registered Designs Rules

根據註冊外觀設計條例第 76 條，更正已提交文件中的錯誤

Correction of errors in filed documents under section 76 of the Registered Designs Ordinance

以下事項沒有記錄

No Records for the Following Matters

根據註冊外觀設計條例第 30 條放棄的外觀設計的註冊

Surrender of Registration of Design under section 30 of the Registered Designs Ordinance

根據註冊外觀設計規則第 37 條，向處長作出轉介

Reference to Registrar under section 37 of the Registered Designs Rules

根據註冊外觀設計條例第 45 條，撤銷註冊

Revocation of Registration under section 45 of the Registered Designs Ordinance

根據註冊外觀設計規則第 46 條，向法院作出轉介

Reference to Court under section 46 of the Registered Designs Rules

根據註冊外觀設計規則第 63 條對不符合規定之處作出糾正

Rectification of Irregularities under section 63 of the Registered Designs Rules

根據註冊外觀設計條例第 66 條，糾正註冊紀錄冊

Rectification of Register under section 66 of the Registered Designs Ordinance

根據註冊外觀設計條例第 67 條 更正註冊紀錄冊內的錯誤

Correction of errors in Register under section 67 of the Registered Designs Ordinance

根據註冊外觀設計條例第 67 及 76 條，更正註冊紀錄冊內及已提交文件中的錯誤

Correction of Errors in Register and in Filed Documents under sections 67 and 76 of the Registered Designs Ordinance

根據註冊外觀設計條例第 76 條，更正已提交文件中的錯誤

Correction of errors in filed documents under section 76 of the Registered Designs Ordinance

勘誤

Corrigendum

註冊外觀設計公告註釋

Notes on advertisements of registration of designs

方括號表示下列資料：

Square brackets indicate the following data：

[11] 註冊編號 Registration number / 聯合王國註冊編號 United Kingdom registration number

[15] 註冊日期 Registration date / 當作註冊日期 Deemed registration date / 聯合王國註冊日期 United Kingdom registration date

[17] 註冊有效期屆滿日期 Expiry date of the period of registration

[22] 提交日期 Filing date / 當作提交日期 Deemed filing date / 聯合王國提交日期 United Kingdom filing date

[30] 聲稱享有的優先權（提交日期 / 巴黎公約國或世界貿易組織成員 / 申請編號） Priority claimed (filing date / Paris Convention country or WTO member / application number)

[51] 國際外觀設計分類號（洛迦諾分類號） International Classification of designs (Locarno Classification)

[54] 物品 Article

[55] 外觀設計的表述 Representation of the design

[62] 分開前的申請編號及提交日期 Application number before division and filing date

[66] 過往註冊的聯繫外觀設計註冊編號 / 日期 Registration No. / Date of Previous Registration for Association

[72] 設計人 Designer

[73] 擁有人姓名和地址 Name and address of the owner

[74] 代理人 Agent /送達地址 Address for service



香港特別行政區政府知識產權署外觀設計註冊處

The Government of the Hong Kong Special Administrative Region

Designs Registry, Intellectual Property Department

根據註冊外觀設計條例第 25 條註冊的外觀設計

Designs registered under section 25 of the Registered Designs Ordinance

按註冊編號排列

Arranged by Registration Number

[11] 2423243.9M001

[15] 29-04-2024

[30] 27-03-2024 / CA, SG, EU, JP, KR / WIPO146413

[51] Cl. 19-06

[54] 筆

Writing instrument

[73] FABER-CASTELL AKTIENGESELLSCHAFT

NÜRNBERGER STR. 2, 90546 STEIN,

GERMANY

[74] CHANG TSI AND PARTNERS INTELLECTUAL PROPERTY (HK) LIMITED

Level 20, One International Finance Centre,

No. 1 Harbour View Street, Central,

Hong Kong



[11] 2423243.9M002

[15] 29-04-2024

[30] 27-03-2024 / CA, SG, EU, JP, KR / WIPO146413

[51] Cl. 19-06

[54] 筆

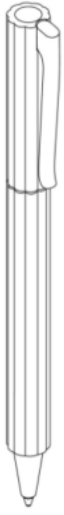
Writing instrument

[73] FABER-CASTELL AKTIENGESELLSCHAFT

NÜRNBERGER STR. 2, 90546 STEIN,
GERMANY

[74] CHANG TSI AND PARTNERS INTELLECTUAL PROPERTY (HK) LIMITED

Level 20, One International Finance Centre,
No. 1 Harbour View Street, Central,
Hong Kong



[11] 2423243.9M003

[15] 29-04-2024

[30] 27-03-2024 / CA, SG, EU, JP, KR / WIPO146413

[51] Cl. 19-06

[54] 筆

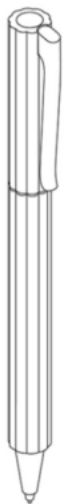
Writing instrument

[73] FABER-CASTELL AKTIENGESELLSCHAFT

NÜRNBERGER STR. 2, 90546 STEIN,
GERMANY

[74] CHANG TSI AND PARTNERS INTELLECTUAL PROPERTY (HK) LIMITED

Level 20, One International Finance Centre,
No. 1 Harbour View Street, Central,
Hong Kong



[11] 2423243.9M004

[15] 29-04-2024

[30] 27-03-2024 / CA, SG, EU, JP, KR / WIPO146413

[51] Cl. 19-06

[54] 筆

Writing instrument

[73] FABER-CASTELL AKTIENGESELLSCHAFT

NÜRNBERGER STR. 2, 90546 STEIN,
GERMANY

[74] CHANG TSI AND PARTNERS INTELLECTUAL PROPERTY (HK) LIMITED

Level 20, One International Finance Centre,
No. 1 Harbour View Street, Central,
Hong Kong



[11] 2423243.9M005

[15] 29-04-2024

[30] 27-03-2024 / CA, SG, EU, JP, KR / WIPO146413

[51] Cl. 19-06

[54] 筆

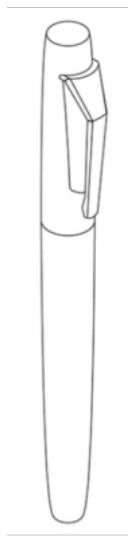
Writing instrument

[73] FABER-CASTELL AKTIENGESELLSCHAFT

NÜRNBERGER STR. 2, 90546 STEIN,
GERMANY

[74] CHANG TSI AND PARTNERS INTELLECTUAL PROPERTY (HK) LIMITED

Level 20, One International Finance Centre,
No. 1 Harbour View Street, Central,
Hong Kong



[11] 2423243.9M006

[15] 29-04-2024

[30] 27-03-2024 / CA, SG, EU, JP, KR / WIPO146413

[51] Cl. 19-06

[54] 筆

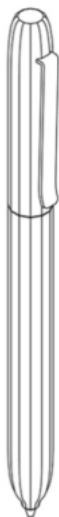
Writing instrument

[73] FABER-CASTELL AKTIENGESELLSCHAFT

NÜRNBERGER STR. 2, 90546 STEIN,
GERMANY

[74] CHANG TSI AND PARTNERS INTELLECTUAL PROPERTY (HK) LIMITED

Level 20, One International Finance Centre,
No. 1 Harbour View Street, Central,
Hong Kong



[11] 2423243.9M007

[15] 29-04-2024

[30] 27-03-2024 / CA, SG, EU, JP, KR / WIPO146413

[51] Cl. 19-06

[54] 筆架

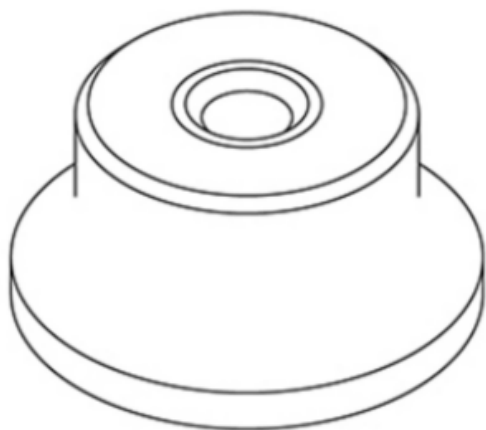
Stand for pencils

[73] FABER-CASTELL AKTIENGESELLSCHAFT

NÜRNBERGER STR. 2, 90546 STEIN,
GERMANY

[74] CHANG TSI AND PARTNERS INTELLECTUAL PROPERTY (HK) LIMITED

Level 20, One International Finance Centre,
No. 1 Harbour View Street, Central,
Hong Kong



[11] 2423406.6

[15] 29-05-2024

[30] 16-04-2024 / CN / 2024302128220

[51] Cl. 11-03

[54] 玖玖金章

Nine-nine gold medal

[73] 金玖銀玖(香港)金融科技有限公司

DGS (HONGKONG) FINTECH CO., LIMITED

香港

數碼港道100號

數碼港3號C區4樓401-404室2室

[74] 萬慧達(亞太)諮詢有限公司

香港

灣仔港灣道18號

中環廣場1903室



[11] 2423833.1M001

[15] 09-08-2024

[30] 15-02-2024 / EU / 015050477 -0001

[51] Cl. 23-08

[54] 毛巾架

Towel holder

[73] Dornbracht AG & Co. KG

Köbbingser Mühle 6,

58640 Iserlohn,

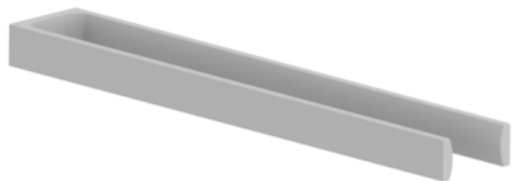
GERMANY

[74] WILKINSON & GRIST

11th Floor, Great Eagle Centre,

23 Harbour Road,

Hong Kong



-
- [11] 2423833.1M002
[15] 09-08-2024
[30] 15-02-2024 / EU / 015050477 -0002
[51] Cl. 23-08
[54] 毛巾架
Towel holder
[73] Dornbracht AG & Co. KG
Köbbingser Mühle 6,
58640 Iserlohn,
GERMANY
[74] WILKINSON & GRIST
11th Floor, Great Eagle Centre,
23 Harbour Road,
Hong Kong



-
- [11] 2423833.1M003
[15] 09-08-2024
[30] 15-02-2024 / EU / 015050477 -0003
[51] Cl. 23-08
[54] 毛巾架
Towel holder
[73] Dornbracht AG & Co. KG
Köbbingser Mühle 6,
58640 Iserlohn,
GERMANY
[74] WILKINSON & GRIST
11th Floor, Great Eagle Centre,
23 Harbour Road,
Hong Kong



[11] 2423833.1M004

[15] 09-08-2024

[30] 15-02-2024 / EU / 015050477 -0004

[51] Cl. 23-08

[54] 玻璃杯架 (浴室用)

Glass holders (for bathroom)

[73] Dornbracht AG & Co. KG

Köbbingser Mühle 6,

58640 Iserlohn,

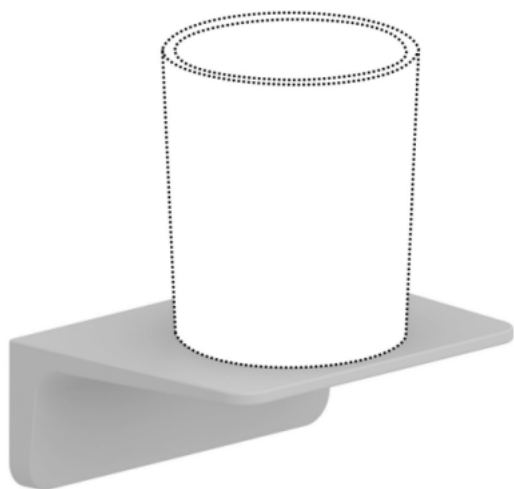
GERMANY

[74] WILKINSON & GRIST

11th Floor, Great Eagle Centre,

23 Harbour Road,

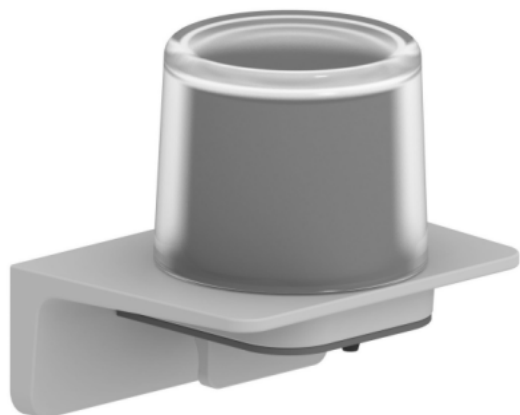
Hong Kong



- [11] 2423833.1M005
[15] 09-08-2024
[30] 15-02-2024 / EU / 015050477 -0005
[51] Cl. 23-08
[54] 附肥皂架的肥皂盒
Soap dishes with soapdish holder
[73] Dornbracht AG & Co. KG
Köbbingser Mühle 6,
58640 Iserlohn,
GERMANY
[74] WILKINSON & GRIST
11th Floor, Great Eagle Centre,
23 Harbour Road,
Hong Kong



-
- [11] 2423833.1M006
[15] 09-08-2024
[30] 15-02-2024 / EU / 015050477 -0006
[51] Cl. 23-08
[54] 衛生液體分配器
Sanitary fluid dispenser
[73] Dornbracht AG & Co. KG
Köbbingser Mühle 6,
58640 Iserlohn,
GERMANY
[74] WILKINSON & GRIST
11th Floor, Great Eagle Centre,
23 Harbour Road,
Hong Kong



[11] 2423833.1M007

[15] 09-08-2024

[30] 15-02-2024 / EU / 015050477 -0007

[51] Cl. 23-08

[54] 浴室置物架 (家具除外)

Bathroom shelf (except furniture)

[73] Dornbracht AG & Co. KG

Köbbingser Mühle 6,

58640 Iserlohn,

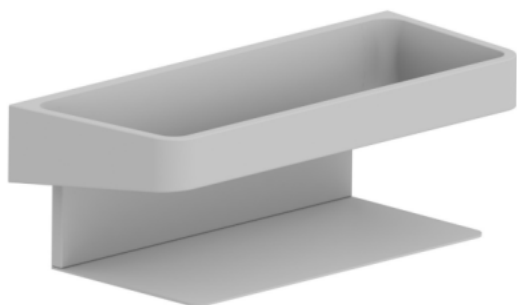
GERMANY

[74] WILKINSON & GRIST

11th Floor, Great Eagle Centre,

23 Harbour Road,

Hong Kong



[11] 2423833.1M008

[15] 09-08-2024

[30] 15-02-2024 / EU / 015050477 -0008

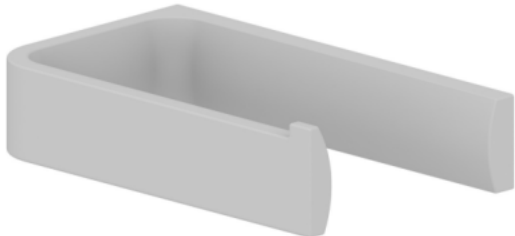
[51] Cl. 23-08

[54] 衛生紙架

Toilet roll holder

[73] Dornbracht AG & Co. KG
Köbbingser Mühle 6,
58640 Iserlohn,
GERMANY

[74] WILKINSON & GRIST
11th Floor, Great Eagle Centre,
23 Harbour Road,
Hong Kong



[11] 2423833.1M009

[15] 09-08-2024

[30] 15-02-2024 / EU / 015050477 -0009

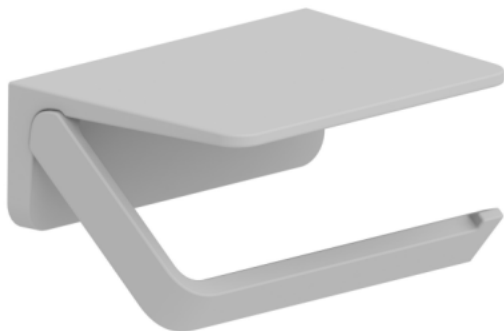
[51] Cl. 23-08

[54] 衛生紙架

Toilet roll holder

[73] Dornbracht AG & Co. KG
Köbbingser Mühle 6,
58640 Iserlohn,
GERMANY

[74] WILKINSON & GRIST
11th Floor, Great Eagle Centre,
23 Harbour Road,
Hong Kong



[11] 2423833.1M010

[15] 09-08-2024

[30] 15-02-2024 / EU / 015050477 -0010

[51] Cl. 23-08

[54] 衛生紙架

Toilet roll holder

[73] Dornbracht AG & Co. KG

Köbbingser Mühle 6,

58640 Iserlohn,

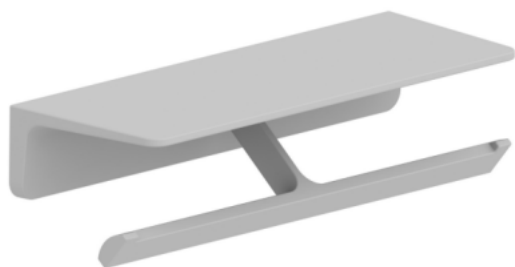
GERMANY

[74] WILKINSON & GRIST

11th Floor, Great Eagle Centre,

23 Harbour Road,

Hong Kong



[11] 2423833.1M011

[15] 09-08-2024

[30] 15-02-2024 / EU / 015050477 -0011

[51] Cl. 23-08

[54] 衛生紙架

Toilet roll holder

[73] Dornbracht AG & Co. KG

Köbbingser Mühle 6,

58640 Iserlohn,

GERMANY

[74] WILKINSON & GRIST

11th Floor, Great Eagle Centre,

23 Harbour Road,

Hong Kong



[11] 2423833.1M012

[15] 09-08-2024

[30] 15-02-2024 / EU / 015065531-0001

[51] Cl. 23-08

[54] 廁所-刷子架

Lavatory-brush holder

[73] Dornbracht AG & Co. KG

Köbbingser Mühle 6,

58640 Iserlohn,

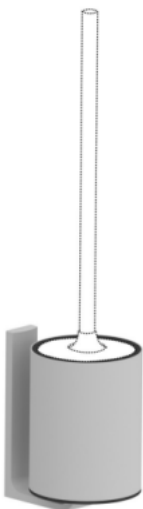
GERMANY

[74] WILKINSON & GRIST

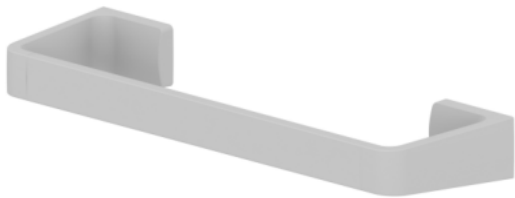
11th Floor, Great Eagle Centre,

23 Harbour Road,

Hong Kong



- [11] 2423833.1M013
[15] 09-08-2024
[30] 15-02-2024 / EU / 015050477 -0013
[51] Cl. 23-08
[54] 浴缸 (手柄)
Bath tubs (handle for)
[73] Dornbracht AG & Co. KG
Köbbingser Mühle 6,
58640 Iserlohn,
GERMANY
[74] WILKINSON & GRIST
11th Floor, Great Eagle Centre,
23 Harbour Road,
Hong Kong



-
- [11] 2423833.1M014
[15] 09-08-2024
[30] 15-02-2024 / EU / 015050477 -0014
[51] Cl. 23-08
[54] 毛巾架
Towel holder
[73] Dornbracht AG & Co. KG
Köbbingser Mühle 6,
58640 Iserlohn,
GERMANY
[74] WILKINSON & GRIST
11th Floor, Great Eagle Centre,
23 Harbour Road,
Hong Kong



-
- [11] 2423833.1M015
[15] 09-08-2024

[30] 15-02-2024 / EU / 015050477 -0015

[51] Cl. 23-08

[54] 毛巾架

Towel holder

[73] Dornbracht AG & Co. KG

Köbbingser Mühle 6,

58640 Iserlohn,

GERMANY

[74] WILKINSON & GRIST

11th Floor, Great Eagle Centre,

23 Harbour Road,

Hong Kong



[11] 2423833.1M016

[15] 09-08-2024

[30] 15-02-2024 / EU / 015050477 -0016

[51] Cl. 23-08

[54] 毛巾架

Towel holder

[73] Dornbracht AG & Co. KG

Köbbingser Mühle 6,

58640 Iserlohn,

GERMANY

[74] WILKINSON & GRIST

11th Floor, Great Eagle Centre,

23 Harbour Road,

Hong Kong



[11] 2423833.1M017

[15] 09-08-2024

[30] 15-02-2024 / EU / 015050477 -0019

[51] Cl. 23-07

[54] 座廁沖水槳

Toilet flush paddle

[73] Dornbracht AG & Co. KG

Köbbingser Mühle 6,

58640 Iserlohn,

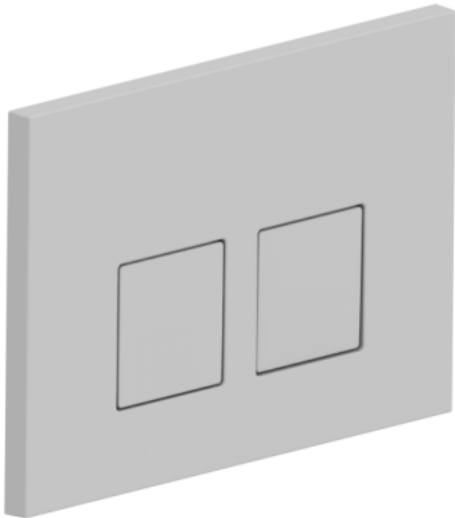
GERMANY

[74] WILKINSON & GRIST

11th Floor, Great Eagle Centre,

23 Harbour Road,

Hong Kong



[11] 2423833.1M018

[15] 09-08-2024

[30] 15-02-2024 / EU / 015050477 -0020

[51] Cl. 23-07

[54] 座廁沖水槳

Toilet flush paddle

[73] Dornbracht AG & Co. KG

Köbbingser Mühle 6,

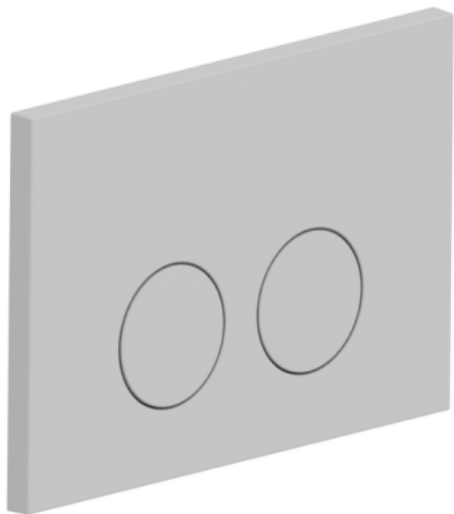
58640 Iserlohn,

GERMANY

[74] WILKINSON & GRIST

11th Floor, Great Eagle Centre,

23 Harbour Road,
Hong Kong



[11] 2423833.1M019

[15] 09-08-2024

[30] 15-02-2024 / EU / 015050477 -0021

[51] Cl. 23-08

[54] 附肥皂架的肥皂盒

Soap dish with soapdish holder

[73] Dornbracht AG & Co. KG

Köbbingser Mühle 6,

58640 Iserlohn,

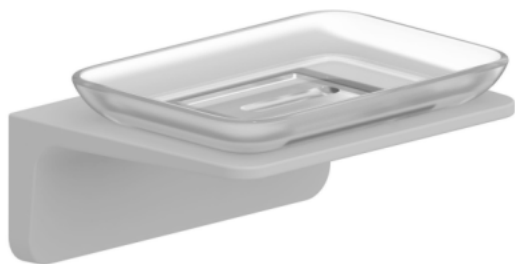
GERMANY

[74] WILKINSON & GRIST

11th Floor, Great Eagle Centre,

23 Harbour Road,

Hong Kong



[11] 2424042.4

[15] 19-09-2024

[51] Cl. 11-01

- [54] 銀杏伴著雙喜，兩側配龍鳳絲帶手鐲
Ginkgo biIoba with double happiness, ribbon matching dragon
and phoenix on two sides
- [73] 皇族首飾批發有限公司
Royalty Jewellery Wholesale Co., Ltd.
香港
中環德輔道中 156-164 號
通用商業大廈 401 室
- [74] 皇族首飾批發有限公司
香港
中環德輔道中 156-164 號
通用商業大廈 401 室



-
- [11] 2424209.9
- [15] 08-10-2024
- [51] Cl. 6-09
- [54] 旅行用枕
Travel pillow
- [73] 思科生物科技有限公司
C-Force Biotech Limited
Unit 17, 7/F., New Tech Plaza,
No. 34 Tai Yau Street, San Po Kong, Kowloon,
Hong Kong
- [74] ACCOLADE IP LIMITED
Unit 2406B, 24/F, Low Block,
Grand Millennium Plaza,
181 Queen's Road Central,
Sheung Wan, Hong Kong



[11] 2424214.9

[15] 08-10-2024

[30] 30-04-2024 / EU / 015059305-0002

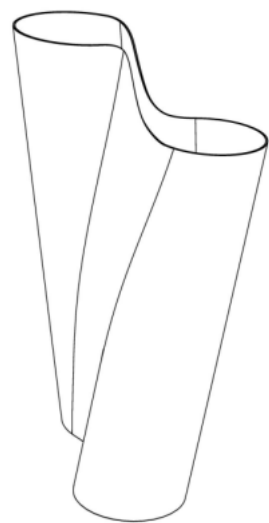
[51] Cl. 11-02

[54] 花瓶

Vase

[73] Georg Jensen A/S
Søndre Fasanvej 7,
2000 Frederiksberg,
DENMARK

[74] SPRUSON & FERGUSON (HONG KONG) LIMITED
5001, Hopewell Centre,
183 Queen's Road East, Wan Chai,
Hong Kong



- [11] 2424230.3
[15] 10-10-2024
[30] 15-04-2024 / EU / 015057429-0001
[51] Cl. 4-02
[54] 牙刷
Toothbrushes
[73] USTNA HIGIENA VBO d.o.o.
Ruperče 18,
SI-2231 Pernica,
SLOVENIA
[74] ACCOLADE IP LIMITED
Unit 2406B, 24/F, Low Block,
Grand Millennium Plaza,
181 Queen's Road Central,
Sheung Wan, Hong Kong



- [11] 2424234.1
[15] 10-10-2024
[51] Cl. 11-01
[54] 925 銀吊墜
Sterling silver pendant
[73] Astro Lab Jewelry Limited
FLAT A, 8/F, LINKCHART CENTRE,
2 TAI YIP STREET, KWUN TONG,
HONG KONG
[74] Natalia Grishkova
1B, Tower 2, SSQ, HKUST,
Clear Water Bay, Kowloon,
Hong Kong



[11] 2424254.3

[15] 10-10-2024

[30] 11-04-2024 / CH / 2024-00193

[51] Cl. 7-02

[54] 咖啡機

Coffee machine

[73] Société des Produits Nestlé S.A.

1800 Vevey,

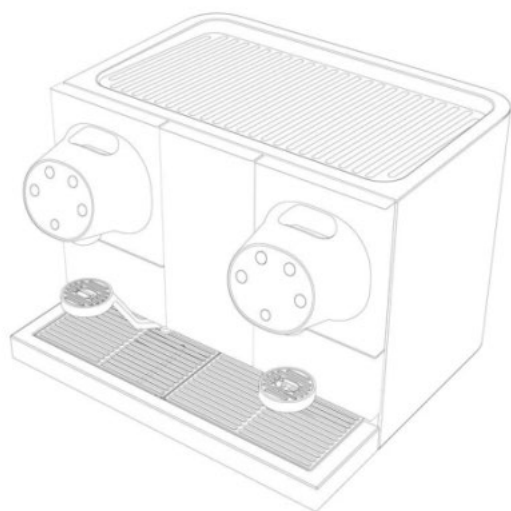
SWITZERLAND

[74] DEACONS

5th Floor, Alexandra House,

Central,

Hong Kong



- [11] 2424298.6M001
[15] 16-10-2024
[30] 28-05-2024 / IT / 402024000001732
[51] Cl. 2-04
[54] 鞋
Shoes
[73] VALENTINO S.p.A.
Via Turati, 16/18,
I-20121 MILANO,
ITALY
[74] BIRD & BIRD
6/F, The Annex, Central Plaza,
18 Harbour Road,
Hong Kong



-
- [11] 2424298.6M002
[15] 16-10-2024
[30] 28-05-2024 / IT / 402024000001732
[51] Cl. 2-04
[54] 鞋
Shoes
[73] VALENTINO S.p.A.
Via Turati, 16/18,
I-20121 MILANO,
ITALY
[74] BIRD & BIRD
6/F, The Annex, Central Plaza,
18 Harbour Road,
Hong Kong



[11] 2424301.4

[15] 17-10-2024

[51] Cl. 3-01

[54] 手提電話殼連卡片套

Mobile phone case with card holder

[73] Hamee Global Inc.

3F, Gasan A1Tower, 205-27, Gasan digital 1-ro, Geumcheon-gu,
Seoul,

REPUBLIC OF KOREA

[74] NTD PATENT & TRADE MARK AGENCY LIMITED

Units 1805-6, 18/F., Greenfield Tower,
Concordia Plaza, No. 1 Science Museum Road,
Tsimshatsui East, Kowloon,
Hong Kong



[11] 2424304.0

[15] 17-10-2024

[51] Cl. 3-01

[54] 手提電話殼

Mobile phone case

[73] Hamee Global Inc.

3F, Gasan A1Tower, 205-27, Gasan digital 1-ro, Geumcheon-gu,
Seoul,
REPUBLIC OF KOREA

[74] NTD PATENT & TRADE MARK AGENCY LIMITED

Units 1805-6, 18/F., Greenfield Tower,
Concordia Plaza, No. 1 Science Museum Road,
Tsimshatsui East, Kowloon,
Hong Kong



[11] 2424348.3

[15] 18-10-2024

[51] Cl. 11-01

[54] 手鐲

Bracelet

[73] 老鋪黃金(香港)有限公司

LAO PU (HONG KONG) COMPANY LIMITED
Room 801-2, 8/F, Easey Commercial Building,
253-261 Hennessy Road, Wanchai,
HONG KONG

[74] CHARLES RUSSELL SPEECHLYS LLP

SUITE 3418, LEVEL 34, TWO PACIFIC PLACE,
88 QUEENSWAY,
HONG KONG



[11] 2424349.5

[15] 18-10-2024

[51] Cl. 11-01

[54] 吊墜

Pendant

[73] 老鋪黃金(香港)有限公司

LAO PU (HONG KONG) COMPANY LIMITED

Room 801-2, 8/F, Easey Commercial Building,
253-261 Hennessy Road, Wanchai,
HONG KONG

[74] CHARLES RUSSELL SPEECHLYS LLP

SUITE 3418, LEVEL 34, TWO PACIFIC PLACE,
88 QUEENSWAY,
HONG KONG



[11] 2424350.7

[15] 18-10-2024

[51] Cl. 11-01

[54] 吊墜

Pendant

[73] 老鋪黃金(香港)有限公司

LAO PU (HONG KONG) COMPANY LIMITED

Room 801-2, 8/F, Easey Commercial Building,
253-261 Hennessy Road, Wanchai,
HONG KONG

[74] CHARLES RUSSELL SPEECHLYS LLP

SUITE 3418, LEVEL 34, TWO PACIFIC PLACE,
88 QUEENSWAY,
HONG KONG



[11] 2424354.5

[15] 18-10-2024

[51] Cl. 11-01

[54] 戒指
Ring

[73] 老鋪黃金(香港)有限公司

LAO PU (HONG KONG) COMPANY LIMITED
Room 801-2, 8/F, Easey Commercial Building,
253-261 Hennessy Road, Wanchai,
HONG KONG

[74] CHARLES RUSSELL SPEECHLYS LLP

SUITE 3418, LEVEL 34, TWO PACIFIC PLACE,
88 QUEENSWAY,
HONG KONG



[11] 2424357.2

[15] 21-10-2024

[30] 24-05-2024 / CN / 2024303129837

[51] Cl. 23-04

[54] 吸油煙機

Range hood

[73] 广东澄一科技有限公司

Guangdong Chengyi Technology Co., LTD

中國

顺德区容桂街道小黄圃社区

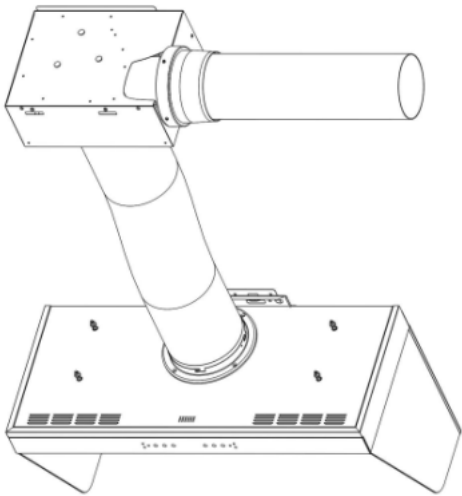
科苑三路 6 号 E 座西楼 9 层之三

[74] 海思国际知识产权有限公司

香港

九龍觀塘道 348 號

宏利廣場 6 樓



[11] 2424358.4M001

[15] 21-10-2024

[51] Cl. 11-01

[54] 珠寶飾品

Jewellery ornament

[73] 周大福珠宝金行(深圳)有限公司

CHOW TAI FOOK JEWELLERY (SHENZHEN) CO., LTD.

中國

深圳市盐田区深盐路

黄金珠宝大厦 12 楼 A 座

[74] 中一聯合國際知識產權有限公司

香港

香港九龍觀塘興業街 20 號

聯合興業工業大廈 5 樓 A26 室



[11] 2424358.4M002

[15] 21-10-2024

[51] Cl. 11-01

[54] 珠寶飾品

Jewellery ornament

[73] 周大福珠寶金行(深圳)有限公司

CHOW TAI FOOK JEWELLERY (SHENZHEN) CO., LTD.

中國

深圳市鹽田區深鹽路

黃金珠寶大廈 12 樓 A 座

[74] 中一聯合國際知識產權有限公司

香港

香港九龍觀塘興業街 20 號

聯合興業工業大廈 5 樓 A26 室



[11] 2424359.6

[15] 21-10-2024

[51] Cl. 17-03

[54] 拉弦樂器

A bowed-string instrument

[73] 香港中乐团有限公司

Hong Kong Chinese Orchestra Limited
7/F SHEUNG WAN MUNICIPAL SERVICES BLDG.,
345 QUEEN'S ROAD CENTRAL, SHEUNG WAN,
HONG KONG

[74] CHINA PATENT AGENT (HONG KONG) LIMITED

22/F, Great Eagle Centre, 23 Harbour Road,
Wanchai,
HONG KONG



[11] 2424361.0M001

[15] 21-10-2024

[51] C1. 9-03

[54] 包裝盒

Box of packaging

[73] KIWI HOUSE LIMITED

香港

新界葵涌昌榮路 9-11 號

同珍工業大廈 A 座 16 樓 B2 室

[74] KIWI HOUSE LIMITED

香港

新界葵涌昌榮路 9-11 號

同珍工業大廈 A 座 16 樓 B2 室



[11] 2424361.0M002

[15] 21-10-2024

[51] C1. 9-03

[54] 包裝盒

Box of packaging

[73] KIWI HOUSE LIMITED

香港

新界葵涌昌榮路 9-11 號

同珍工業大廈 A 座 16 樓 B2 室

[74] KIWI HOUSE LIMITED

香港

新界葵涌昌榮路 9-11 號

同珍工業大廈 A 座 16 樓 B2 室



[11] 2424362.2

[15] 21-10-2024

[51] Cl. 11-01

[54] 耳釘

Earrings

[73] 周大福珠寶金行(深圳)有限公司

Chow Tai Fook Jewellery (Shenzhen) Company Limited

中國

廣東省深圳市鹽田區深鹽路

黃金珠寶大廈 12 樓 A 座

[74] 天標知識產權代理有限公司

香港

九龍尖沙咀加連威老道 14 號

加連威大廈 4 樓 A 座



[11] 2424363.4

[15] 21-10-2024

[51] Cl. 11-01

[54] 耳釘

Earrings

[73] 周大福珠寶金行(深圳)有限公司

Chow Tai Fook Jewellery (Shenzhen) Company Limited

中國

廣東省深圳市鹽田區深鹽路

黃金珠寶大廈 12 樓 A 座

[74] 天標知識產權代理有限公司

香港

九龍尖沙咀加連威老道 14 號

加連威大廈 4 樓 A 座



[11] 2424364.6

[15] 21-10-2024

[51] Cl. 11-01

[54] 項鍊

Necklace

[73] 周大福珠寶金行(深圳)有限公司

Chow Tai Fook Jewellery (Shenzhen) Company Limited

中國

廣東省深圳市鹽田區深鹽路

黃金珠寶大廈 12 樓 A 座

[74] 天標知識產權代理有限公司

香港

九龍尖沙咀加連威老道 14 號

加連威大廈 4 樓 A 座



立體圖

[11] 2424365.9

[15] 21-10-2024

[51] Cl. 11-01

[54] 耳釘

Earrings

- [73] 周大福珠寶金行(深圳)有限公司
Chow Tai Fook Jewellery (Shenzhen) Company Limited
中國
廣東省深圳市鹽田區深鹽路
黃金珠寶大廈 12 樓 A 座
- [74] 天標知識產權代理有限公司
香港
九龍尖沙咀加連威老道 14 號
加連威大廈 4 樓 A 座



-
- [11] 2424366.1
- [15] 21-10-2024
- [51] Cl. 11-01
- [54] 項鍊
Necklace
- [73] 周大福珠寶金行(深圳)有限公司
Chow Tai Fook Jewellery (Shenzhen) Company Limited
中國
廣東省深圳市鹽田區深鹽路
黃金珠寶大廈 12 樓 A 座
- [74] 天標知識產權代理有限公司
香港
九龍尖沙咀加連威老道 14 號
加連威大廈 4 樓 A 座



[11] 2424367.3

[15] 21-10-2024

[51] Cl. 11-01

[54] 項鏈

Necklace

[73] 周大福珠寶金行(深圳)有限公司

Chow Tai Fook Jewellery (Shenzhen) Company Limited

中國

廣東省深圳市鹽田區深鹽路

黃金珠寶大廈 12 樓 A 座

[74] 天標知識產權代理有限公司

香港

九龍尖沙咀加連威老道 14 號

加連威大廈 4 樓 A 座



[11] 2424368.5

[15] 21-10-2024

[51] Cl. 11-01

[54] 戒指
Ring

[73] 周大福珠寶金行(深圳)有限公司
Chow Tai Fook Jewellery (Shenzhen) Company Limited
中國
廣東省深圳市鹽田區深鹽路
黃金珠寶大廈 12 樓 A 座

[74] 天標知識產權代理有限公司
香港
九龍尖沙咀加連威老道 14 號
加連威大廈 4 樓 A 座



[11] 2424369.7

[15] 21-10-2024

[51] Cl. 11-01

[54] 戒指
Ring

[73] 周大福珠寶金行(深圳)有限公司
Chow Tai Fook Jewellery (Shenzhen) Company Limited
中國
廣東省深圳市鹽田區深鹽路
黃金珠寶大廈 12 樓 A 座

[74] 天標知識產權代理有限公司
香港
九龍尖沙咀加連威老道 14 號
加連威大廈 4 樓 A 座



[11] 2424370.9

[15] 21-10-2024

[51] Cl. 11-01

[54] 戒指
Ring

[73] 周大福珠寶金行(深圳)有限公司
Chow Tai Fook Jewellery (Shenzhen) Company Limited
中國
廣東省深圳市鹽田區深鹽路
黃金珠寶大廈 12 樓 A 座

[74] 天標知識產權代理有限公司
香港
九龍尖沙咀加連威老道 14 號
加連威大廈 4 樓 A 座



[11] 2424371.1

[15] 21-10-2024

[51] Cl. 11-01

[54] 戒指
Ring

[73] 周大福珠寶金行(深圳)有限公司
Chow Tai Fook Jewellery (Shenzhen) Company Limited
中國

廣東省深圳市鹽田區深鹽路
黃金珠寶大廈 12 樓 A 座

- [74] 天標知識產權代理有限公司
香港
九龍尖沙咀加連威老道 14 號
加連威大廈 4 樓 A 座



[11] 2424372.3

[15] 21-10-2024

[51] Cl. 11-01

[54] 項鍊

Necklace

[73] 周大福珠寶金行(深圳)有限公司

Chow Tai Fook Jewellery (Shenzhen) Company Limited

中國

廣東省深圳市鹽田區深鹽路

黃金珠寶大廈 12 樓 A 座

[74] 天標知識產權代理有限公司

香港

九龍尖沙咀加連威老道 14 號

加連威大廈 4 樓 A 座



[11] 2424373.5

[15] 21-10-2024

[51] Cl. 11-01

[54] 項鍊

Necklace

[73] 周大福珠寶金行(深圳)有限公司

Chow Tai Fook Jewellery (Shenzhen) Company Limited

中國

廣東省深圳市鹽田區深鹽路

黃金珠寶大廈 12 樓 A 座

[74] 天標知識產權代理有限公司

香港

九龍尖沙咀加連威老道 14 號

加連威大廈 4 樓 A 座



- [11] 2424374.7
[15] 21-10-2024
[51] Cl. 11-01
[54] 戒指
Ring
[73] 周大福珠寶金行(深圳)有限公司
Chow Tai Fook Jewellery (Shenzhen) Company Limited
中國
廣東省深圳市鹽田區深鹽路
黃金珠寶大廈 12 樓 A 座
[74] 天標知識產權代理有限公司
香港
九龍尖沙咀加連威老道 14 號
加連威大廈 4 樓 A 座



-
- [11] 2424375.0
[15] 21-10-2024
[51] Cl. 11-01
[54] 耳釘
Earrings
[73] 周大福珠寶金行(深圳)有限公司
Chow Tai Fook Jewellery (Shenzhen) Company Limited
中國
廣東省深圳市鹽田區深鹽路
黃金珠寶大廈 12 樓 A 座
[74] 天標知識產權代理有限公司
香港

九龍尖沙咀加連威老道 14 號
加連威大廈 4 樓 A 座



[11] 2424376.2

[15] 21-10-2024

[51] Cl. 11-01

[54] 耳釘

Earrings

[73] 周大福珠寶金行(深圳)有限公司

Chow Tai Fook Jewellery (Shenzhen) Company Limited

中國

廣東省深圳市鹽田區深鹽路

黃金珠寶大廈 12 樓 A 座

[74] 天標知識產權代理有限公司

香港

九龍尖沙咀加連威老道 14 號

加連威大廈 4 樓 A 座



[11] 2424377.4

[15] 21-10-2024

[51] Cl. 11-01

[54] 手鏈

Bracelet

[73] 周大福珠寶金行(深圳)有限公司

Chow Tai Fook Jewellery (Shenzhen) Company Limited

中國

廣東省深圳市鹽田區深鹽路

黃金珠寶大廈 12 樓 A 座

[74] 天標知識產權代理有限公司

香港

九龍尖沙咀加連威老道 14 號

加連威大廈 4 樓 A 座



[11] 2424378.6

[15] 21-10-2024

[51] Cl. 11-01

[54] 項鏈

Necklace

[73] 周大福珠寶金行(深圳)有限公司

Chow Tai Fook Jewellery (Shenzhen) Company Limited

中國

廣東省深圳市鹽田區深鹽路

黃金珠寶大廈 12 樓 A 座

[74] 天標知識產權代理有限公司

香港

九龍尖沙咀加連威老道 14 號

加連威大廈 4 樓 A 座



[11] 2424382.4

[15] 21-10-2024

[51] Cl. 11-01

[54] 項鏈

Necklace

[73] 周大福珠寶金行(深圳)有限公司

Chow Tai Fook Jewellery (Shenzhen) Company Limited

中國

廣東省深圳市鹽田區深鹽路

黃金珠寶大廈 12 樓 A 座

[74] 天標知識產權代理有限公司

香港

九龍尖沙咀加連威老道 14 號

加連威大廈 4 樓 A 座



[11] 2424383.6

[15] 21-10-2024

[51] Cl. 11-01

[54] 項鏈

Necklace

[73] 周大福珠寶金行(深圳)有限公司

Chow Tai Fook Jewellery (Shenzhen) Company Limited

中國

廣東省深圳市鹽田區深鹽路

黃金珠寶大廈 12 樓 A 座

[74] 天標知識產權代理有限公司

香港

九龍尖沙咀加連威老道 14 號

加連威大廈 4 樓 A 座



[11] 2424384.8

[15] 21-10-2024

[51] Cl. 11-01

[54] 手鏈

Bracelet

[73] 周大福珠寶金行(深圳)有限公司

Chow Tai Fook Jewellery (Shenzhen) Company Limited

中國

廣東省深圳市鹽田區深鹽路

黃金珠寶大廈 12 樓 A 座

[74] 天標知識產權代理有限公司

香港

九龍尖沙咀加連威老道 14 號
加連威大廈 4 樓 A 座



[11] 2424385.1

[15] 21-10-2024

[51] Cl. 11-01

[54] 項鏈

Necklace

[73] 周大福珠寶金行(深圳)有限公司

Chow Tai Fook Jewellery (Shenzhen) Company Limited

中國

廣東省深圳市鹽田區深鹽路

黃金珠寶大廈 12 樓 A 座

[74] 天標知識產權代理有限公司

香港

九龍尖沙咀加連威老道 14 號

加連威大廈 4 樓 A 座



[11] 2424386.3

[15] 21-10-2024

[51] Cl. 11-01

[54] 戒指
Ring

[73] 周大福珠寶金行(深圳)有限公司

Chow Tai Fook Jewellery (Shenzhen) Company Limited

中國

廣東省深圳市鹽田區深鹽路

黃金珠寶大廈 12 樓 A 座

[74] 天標知識產權代理有限公司

香港

九龍尖沙咀加連威老道 14 號

加連威大廈 4 樓 A 座



[11] 2424387.5

[15] 21-10-2024

[51] Cl. 11-01

[54] 耳釘
Earrings

[73] 周大福珠寶金行(深圳)有限公司

Chow Tai Fook Jewellery (Shenzhen) Company Limited

中國

廣東省深圳市鹽田區深鹽路

黃金珠寶大廈 12 樓 A 座

[74] 天標知識產權代理有限公司

香港

九龍尖沙咀加連威老道 14 號
加連威大廈 4 樓 A 座



[11] 2424388.7

[15] 21-10-2024

[51] Cl. 11-01

[54] 項鏈

Necklace

[73] 周大福珠寶金行(深圳)有限公司

Chow Tai Fook Jewellery (Shenzhen) Company Limited

中國

廣東省深圳市鹽田區深鹽路

黃金珠寶大廈 12 樓 A 座

[74] 天標知識產權代理有限公司

香港

九龍尖沙咀加連威老道 14 號

加連威大廈 4 樓 A 座



[11] 2424389.9

[15] 21-10-2024

[51] Cl. 11-01

[54] 戒指
Ring

[73] 周大福珠寶金行(深圳)有限公司
Chow Tai Fook Jewellery (Shenzhen) Company Limited
中國
廣東省深圳市鹽田區深鹽路
黃金珠寶大廈 12 樓 A 座

[74] 天標知識產權代理有限公司
香港
九龍尖沙咀加連威老道 14 號
加連威大廈 4 樓 A 座



[11] 2424390.1

[15] 21-10-2024

[51] Cl. 11-01

[54] 耳釘
Earrings

[73] 周大福珠寶金行(深圳)有限公司
Chow Tai Fook Jewellery (Shenzhen) Company Limited
中國
廣東省深圳市鹽田區深鹽路
黃金珠寶大廈 12 樓 A 座

[74] 天標知識產權代理有限公司
香港

九龍尖沙咀加連威老道 14 號
加連威大廈 4 樓 A 座



[11] 2424416.8

[15] 24-10-2024

[51] Cl. 21-01

[54] 玩具公仔
Toy doll

[73] GOODMORE WEALTHY CO., LTD.
ROOM A, 12/F.,
THOMSON COMMERCIAL BUILDING,
NO.8 THOMSON ROAD, WAN CHAI,
HONG KONG

[74] GOODMORE WEALTHY CO., LTD.
ROOM A, 12/F.,
THOMSON COMMERCIAL BUILDING,
NO.8 THOMSON ROAD, WAN CHAI,
HONG KONG





香港特別行政區政府知識產權署外觀設計註冊處

The Government of the Hong Kong Special Administrative Region

Designs Registry, Intellectual Property Department

根據註冊外觀設計條例第 28 條，下列註冊外觀設計因未繳續期費而停止有效。

各組記項按註冊外觀設計停止有效日期及註冊編號先後次序排列。

Registered designs ceased through non-payment of renewal fees under section 28 of the Registered Designs Ordinance. Entries are listed below under their expiry dates.

21-11-2024 - 27-11-2024

21-11-2024	0901966.8	1915116.4
1915055.4	0901974.4M001	1915118.8
1915058.0M003	1402175.8	1915119.0
1915058.0M006	1915077.0	1915120.2
1915059.2M001	1915078.2	
1915059.2M002	1915081.8	
1915059.2M003	1915082.0	
1915059.2M004	1915085.7	
1915059.2M005	1915086.9	
1915059.2M006	1915087.1	
1915059.2M008	1915088.3M001	
1915059.2M009	1915088.3M002	
	1915088.3M003	
23-11-2024	1915089.5M001	
1402153.1	1915089.5M002	
1402154.3	1915090.7	
	1915091.9	
24-11-2024	1915092.1	
1915064.2	1915093.3	
1915065.5		
1915066.7	26-11-2024	
1915067.9	1402189.7	
1915068.1	1402193.5	
1915069.3	1915096.0M003	
1915070.5M001	1915098.4	
1915070.5M002		
1915070.5M003	27-11-2024	
1915070.5M004	1402194.7M003	
1915070.5M005	1402199.8	
1915070.5M006	1915107.5	
1915072.9	1915110.1M001	
1915075.6	1915110.1M002	
	1915110.1M003	
25-11-2024	1915115.2	



香港特別行政區政府知識產權署外觀設計註冊處

The Government of the Hong Kong Special Administrative Region

Designs Registry, Intellectual Property Department

根據註冊外觀設計規則第 31 條刪除的註冊外觀設計。各組記項按註冊外觀設計刪除日期及註冊編號先後次序排列。

Registered designs removed under section 31 of the Registered Designs Rules. Entries are listed below under their removal dates.

29-11-2024 - 05-12-2024

29-11-2024	1400967.6M002	1913733.0
1400943.5	1913712.6	1913734.2
1400944.7M001	1913714.0	1913735.5M001
1400944.7M002	1913715.3	1913735.5M002
1400944.7M003	1913716.5	
1400944.7M004	1913717.7	
1400946.2M001		05-12-2024
1400946.2M002	01-12-2024	0411184.5
1400948.6	1913719.1	1400986.6
1913697.3M001	1913720.3	1400987.8
1913697.3M002	1913721.5	1400989.2
1913697.3M003	1913722.7	1400998.1M001
1913698.5	1913723.9	1913736.7
1913699.7	1913724.1	1913737.9
1913700.1	1913725.4	1913738.1
1913702.5	1913727.8	1913739.3
1913705.2M001		1913740.5
1913705.2M002	02-12-2024	1913741.7
1913705.2M003	0411167.0	1913742.9
1913705.2M004		1913743.1
1913705.2M005	04-12-2024	1913744.3
1913707.6	0900858.8	1913745.6
1913708.8	0900863.8	1913748.2M002
	0900864.0	1913748.2M003
30-11-2024	0900865.3	1913748.2M004
1400949.8	0900866.5M001	1913748.2M005
1400950.0M001	0900866.5M002	1913748.2M006
1400950.0M002	0900867.7M001	1913749.4M001
1400951.2M001	0900867.7M002	1913749.4M002
1400951.2M002	0900875.4M001	1913749.4M003
1400964.9	0900875.4M002	1913749.4M004
1400965.2	0900875.4M003	1913749.4M005
1400966.4M002	1400982.7	1913749.4M006
1400967.6M001	1400983.9	1913749.4M007
		1913752.0

1913753.2M001

1913753.2M002

1913756.9

1913759.5

1913762.1



香港特別行政區政府知識產權署外觀設計註冊處

The Government of the Hong Kong Special Administrative Region

Designs Registry, Intellectual Property Department

根據註冊外觀設計條例第 76 條，更正已提交文件中的錯誤

Correction of errors in filed documents under section 76 of the Registered Designs Ordinance

任何人士現可對下列更正錯誤的請求提出反對

Request for correction of errors now open to opposition

如任何人士意欲反對下列請求，則須在本官方公報刊登是項更正請求的日期起計的兩個月內，根據註冊外觀設計規則第 62(4) 條，採用指明外觀設計表格第 D9 號提交反對通知。如在限期內沒有收到任何反對通知，處長將依本公報刊登的更正請求的內容，准許是項更正請求。

If any person wishes to oppose the following request, he shall file a notice of opposition in specified Designs Form D9 within two months from the date of advertisement in this official journal under section 62(4) of the Registered Designs Rules. If no notice of opposition is received, the request for correction will be allowed by the Registrar in the present advertised form.

請求更正下列錯誤：

1. 增補漏記的根據註冊外觀設計條例第 16 條聲稱享有的優先權及
2. 在外觀設計表格第 D1 號第 08 部分增補優先權申請提交日期、國家及編號。

Request made for correction of the following errors:

1. addition of a priority claim under section 16 of the Registered Designs Ordinance;
and
2. addition of the priority application date, country and number to Part 08 of the Designs Form D1 filed.

[21] 2424086.7M002

[30] 12-09-2024 / CN / 2024305833834

[21] 2424086.7M003

[30] 12-09-2024 / CN / 2024305834697