

香港知識產權公報

Hong Kong Intellectual Property Journal

2025年2月21日
21 February 2025

目錄 Contents

根據註冊外觀設計條例第 25 條註冊的外觀設計

Designs Registered under section 25 of the Registered Designs Ordinance

按註冊編號排列

Arranged by Registration Number

根據註冊外觀設計條例(第 522 章)公布的其他公告

Other Notices Published under the Registered Designs Ordinance (Cap. 522)

根據註冊外觀設計條例第 28 條，註冊外觀設計因未繳續期費而停止有效

Registered designs ceased through non-payment of renewal fees under section 28 of the Registered Designs Ordinance

根據註冊外觀設計規則第 31 條刪除的註冊外觀設計

Registered designs removed under section 31 of the Registered Designs Rules

以下事項沒有記錄

No Records for the Following Matters

根據註冊外觀設計條例第 30 條放棄的外觀設計的註冊

Surrender of Registration of Design under section 30 of the Registered Designs Ordinance

根據註冊外觀設計規則第 37 條，向處長作出轉介

Reference to Registrar under section 37 of the Registered Designs Rules

根據註冊外觀設計條例第 45 條，撤銷註冊

Revocation of Registration under section 45 of the Registered Designs Ordinance

根據註冊外觀設計規則第 46 條，向法院作出轉介

Reference to Court under section 46 of the Registered Designs Rules

根據註冊外觀設計規則第 63 條對不符合規定之處作出糾正

Rectification of Irregularities under section 63 of the Registered Designs Rules

根據註冊外觀設計條例第 66 條，糾正註冊紀錄冊

Rectification of Register under section 66 of the Registered Designs Ordinance

根據註冊外觀設計條例第 67 條 更正註冊紀錄冊內的錯誤

Correction of errors in Register under section 67 of the Registered Designs Ordinance

根據註冊外觀設計條例第 67 及 76 條，更正註冊紀錄冊內及已提交文件中的錯誤

Correction of Errors in Register and in Filed Documents under sections 67 and 76 of the Registered Designs Ordinance

根據註冊外觀設計條例第 76 條，更正已提交文件中的錯誤

Correction of errors in filed documents under section 76 of the Registered Designs Ordinance

勘誤

Corrigendum

註冊外觀設計公告註釋

Notes on advertisements of registration of designs

方括號表示下列資料：

Square brackets indicate the following data：

[11] 註冊編號 Registration number / 聯合王國註冊編號 United Kingdom registration number

[15] 註冊日期 Registration date / 當作註冊日期 Deemed registration date / 聯合王國註冊日期 United Kingdom registration date

[17] 註冊有效期屆滿日期 Expiry date of the period of registration

[22] 提交日期 Filing date / 當作提交日期 Deemed filing date / 聯合王國提交日期 United Kingdom filing date

[30] 聲稱享有的優先權（提交日期 / 巴黎公約國或世界貿易組織成員 / 申請編號） Priority claimed (filing date / Paris Convention country or WTO member / application number)

[51] 國際外觀設計分類號（洛迦諾分類號） International Classification of designs (Locarno Classification)

[54] 物品 Article

[55] 外觀設計的表述 Representation of the design

[62] 分開前的申請編號及提交日期 Application number before division and filing date

[66] 過往註冊的聯繫外觀設計註冊編號 / 日期 Registration No. / Date of Previous Registration for Association

[72] 設計人 Designer

[73] 擁有人姓名和地址 Name and address of the owner

[74] 代理人 Agent /送達地址 Address for service



香港特別行政區政府知識產權署外觀設計註冊處

The Government of the Hong Kong Special Administrative Region

Designs Registry, Intellectual Property Department

根據註冊外觀設計條例第 25 條註冊的外觀設計

Designs registered under section 25 of the Registered Designs Ordinance

按註冊編號排列

Arranged by Registration Number

[11] 2423588.1

[15] 25-06-2024

[30] 27-12-2023 / JP / 2023-027151

[51] Cl. 9-01

[54] 瓶

Bottle

[73] Suntory Holdings Limited

2-1-40 Dojimahama,

Kita-ku, Osaka City, Osaka,

Japan

[74] MARKS & CLERK

Level 9, Cyberport 1,

100 Cyberport Road, Pok Fu Lam,

Hong Kong



[11] 2424258.2

[15] 11-10-2024

[30] 28-05-2024 / FR / 20242396

[51] Cl. 11-01

[54] 首飾

Jewellery

[73] LOUIS VUITTON MALLETIER

2 rue du Pont-Neuf,

75001 Paris,

FRANCE

[74] BAKER & MCKENZIE

14TH FLOOR, ONE TAIKOO PLACE,

979 KING'S ROAD, QUARRY BAY,

HONG KONG



[11] 2424259.4

[15] 11-10-2024

[30] 29-05-2024 / FR / 20242402

[51] Cl. 11-01

[54] 首飾

Jewellery

[73] LOUIS VUITTON MALLETIER

2 rue du Pont-Neuf,

75001 Paris,

FRANCE

[74] BAKER & MCKENZIE

14TH FLOOR, ONE TAIKOO PLACE,

979 KING'S ROAD, QUARRY BAY,

HONG KONG



[11] 2424260.6

[15] 11-10-2024

[30] 29-05-2024 / FR / 20242406

[51] Cl. 11-01

[54] 首飾

Jewellery

[73] LOUIS VUITTON MALLETIER

2 rue du Pont-Neuf,

75001 Paris,

FRANCE

[74] BAKER & MCKENZIE

14TH FLOOR, ONE TAIKOO PLACE,

979 KING'S ROAD, QUARRY BAY,

HONG KONG



[11] 2424261.8

[15] 11-10-2024

[30] 29-05-2024 / FR / 20242407

[51] Cl. 11-01

[54] 首飾

Jewellery

[73] LOUIS VUITTON MALLETIER
2 rue du Pont-Neuf,
75001 Paris,
FRANCE

[74] BAKER & MCKENZIE
14TH FLOOR, ONE TAIKOO PLACE,
979 KING'S ROAD, QUARRY BAY,
HONG KONG



[11] 2424262.0

[15] 11-10-2024

[30] 27-05-2024 / FR / 20242365

[51] Cl. 11-01

[54] 首飾
Jewellery

[73] LOUIS VUITTON MALLETIER
2 rue du Pont-Neuf,
75001 Paris,
FRANCE

[74] BAKER & MCKENZIE
14TH FLOOR, ONE TAIKOO PLACE,
979 KING'S ROAD, QUARRY BAY,
HONG KONG



[11] 2424263.2

[15] 11-10-2024

[30] 27-05-2024 / FR / 20242369

[51] Cl. 11-01

[54] 首飾

Jewellery

[73] LOUIS VUITTON MALLETIER

2 rue du Pont-Neuf,

75001 Paris,

FRANCE

[74] BAKER & MCKENZIE

14TH FLOOR, ONE TAIKOO PLACE,

979 KING'S ROAD, QUARRY BAY,

HONG KONG



[11] 2424264.4

[15] 11-10-2024

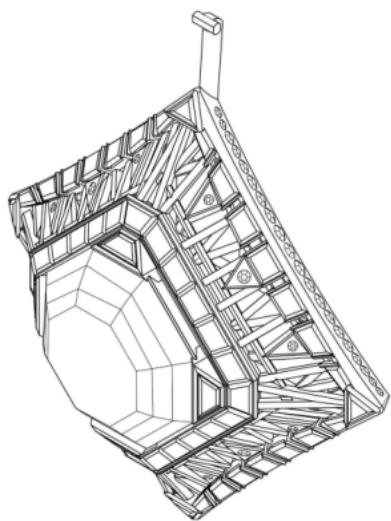
[30] 28-05-2024 / FR / 20242389

[51] Cl. 11-01

[54] 首飾
Jewellery

[73] LOUIS VUITTON MALLETIER
2 rue du Pont-Neuf,
75001 Paris,
FRANCE

[74] BAKER & MCKENZIE
14TH FLOOR, ONE TAIKOO PLACE,
979 KING'S ROAD, QUARRY BAY,
HONG KONG



[11] 2424266.9

[15] 11-10-2024

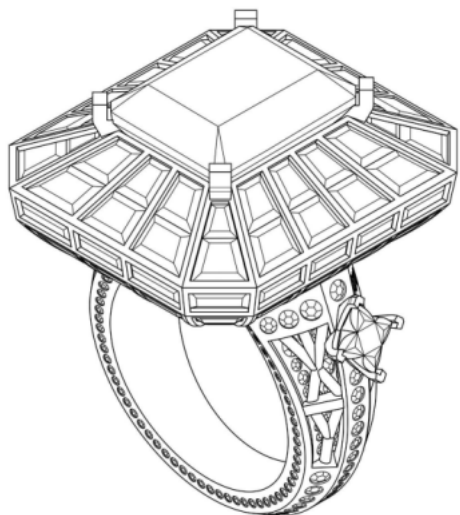
[30] 28-05-2024 / FR / 20242393

[51] Cl. 11-01

[54] 首飾
Jewellery

[73] LOUIS VUITTON MALLETIER
2 rue du Pont-Neuf,
75001 Paris,
FRANCE

[74] BAKER & MCKENZIE
14TH FLOOR, ONE TAIKOO PLACE,
979 KING'S ROAD, QUARRY BAY,
HONG KONG



[11] 2424268.3

[15] 11-10-2024

[30] 28-05-2024 / FR / 20242386

[51] Cl. 11-01

[54] 首飾

Jewellery

[73] LOUIS VUITTON MALLETIER

2 rue du Pont-Neuf,

75001 Paris,

FRANCE

[74] BAKER & MCKENZIE

14TH FLOOR, ONE TAIKOO PLACE,

979 KING'S ROAD, QUARRY BAY,

HONG KONG



[11] 2424269.5

[15] 11-10-2024

[30] 28-05-2024 / FR / 20242380

[51] Cl. 11-01

[54] 首飾

Jewellery

[73] LOUIS VUITTON MALLETIER

2 rue du Pont-Neuf,

75001 Paris,

FRANCE

[74] BAKER & MCKENZIE

14TH FLOOR, ONE TAIKOO PLACE,

979 KING'S ROAD, QUARRY BAY,

HONG KONG



[11] 2424270.7

[15] 11-10-2024

[30] 28-05-2024 / FR / 20242382

[51] Cl. 11-01

[54] 首飾

Jewellery

[73] LOUIS VUITTON MALLETIER

2 rue du Pont-Neuf,

75001 Paris,

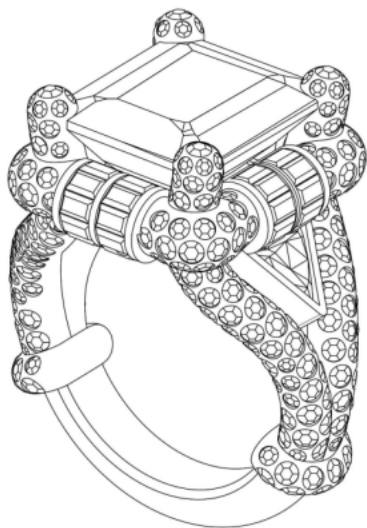
FRANCE

[74] BAKER & MCKENZIE

14TH FLOOR, ONE TAIKOO PLACE,

979 KING'S ROAD, QUARRY BAY,

HONG KONG



[11] 2424422.0

[15] 25-10-2024

[51] C1. 12-07

[54] 無人機
Drone

[73] 深圳市瑞可创新科技有限公司
Shenzhen Ruike Innovation Technology Co., Ltd.
中國
深圳市龙岗区坂田街道马安堂社区
布龙路 573 号儒峰大厦 1701

[74] 卓遠知識產權有限公司
香港上環
皇后大道中 181 號
新紀元廣場低座 24 樓 2406B 室



[11] 2424428.3

[15] 28-10-2024

[30] 07-05-2024 / DE / 402024100330.2

[51] Cl. 21-01

[54] 比例模型

Scale model

[73] Bayerische Motoren Werke Aktiengesellschaft

Petuelring 130, 80809 Muenchen,

GERMANY

[74] HASTINGS & CO

1101, 11th Floor, Gloucester Tower, The Landmark,

15 Queen's Road, Central,

Hong Kong



[11] 2424670.6

[15] 05-12-2024

[51] Cl. 11-01

[54] 珠寶飾品

Jewellery ornament

[73] 周大福珠宝金行(深圳)有限公司

CHOW TAI FOOK JEWELLERY (SHENZHEN) CO., LTD.

中國

广东省深圳市盐田区深盐路

黄金珠宝大厦12楼A座

[74] 中一聯合國際知識產權有限公司

香港

九龍觀塘興業街20號

聯合興業工業大廈5樓A26室



[11] 2424672.0

[15] 06-12-2024

[30] 11-06-2024 / EU / 015063232-0006

[51] Cl. 19-06

[54] 筆

Writing pen

[73] Schwan-STABILO Schwanhaeusser GmbH & Co. KG
Schwanweg 1,
90562 Heroldsberg,
GERMANY

[74] ROUSE & CO. INTERNATIONAL (OVERSEAS) LIMITED
26/F., Tesbury Centre,
28 Queen's Road East,
HONG KONG



[11] 2424673.2

[15] 06-12-2024

[51] Cl. 9-01

[54] 包裝瓶

Packaging bottle

[73] 小主控股有限公司

YOUR LADYSHIP HOLDINGS CO., LIMITED

香港

九龙观塘

伟业街 118 号 8 楼

[74] 卓遠知識產權有限公司

香港

上環皇后大道中 181 號

新紀元廣場低座 24 樓 2406B 室



[11] 2424684.5

[15] 10-12-2024

[51] Cl. 9-01

[54] 包裝用容器

Packaging container

[73] 客樂譜株式會社

Kracie, Ltd.

20-20, Kaigan 3-chome,

Minato-ku, Tokyo,

JAPAN

[74] UNION PATENT SERVICE CENTRE

Units E-F, 20th Floor, Neich Tower,

128 Gloucester Road,

HONG KONG



[11] 2424686.0

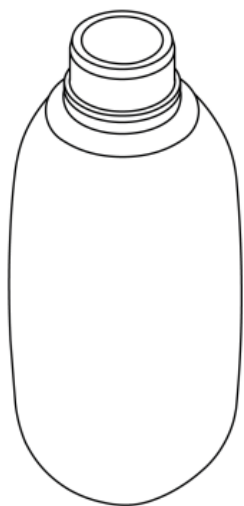
[15] 10-12-2024

[51] Cl. 9-01

[54] 包裝用容器
Packaging container

[73] 客樂譜株式會社
Kracie, Ltd.
20-20, Kaigan 3-chome,
Minato-ku, Tokyo,
JAPAN

[74] UNION PATENT SERVICE CENTRE
Units E-F, 20th Floor, Neich Tower,
128 Gloucester Road,
HONG KONG



[11] 2424687.2

[15] 10-12-2024

[51] Cl. 9-01

[54] 包裝用容器

Packaging container

[73] 客樂譜株式會社

Kracie, Ltd.

20-20, Kaigan 3-chome,

Minato-ku, Tokyo,

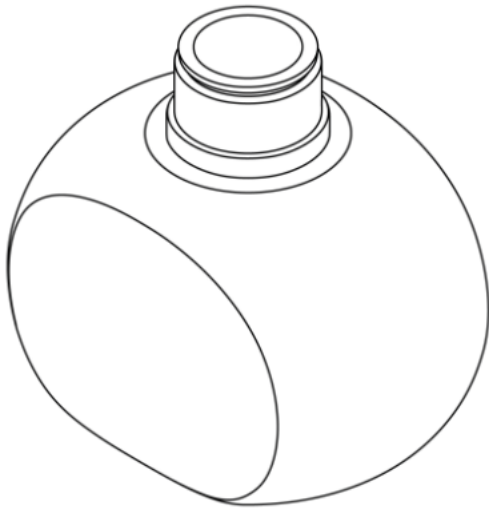
JAPAN

[74] UNION PATENT SERVICE CENTRE

Units E-F, 20th Floor, Neich Tower,

128 Gloucester Road,

HONG KONG



[11] 2424780.9

[15] 19-12-2024

[51] Cl. 31-00

[54] 飲料機

Beverage machine

[73] XOXO Beverages Limited

Unit 649, 6/F, Building 19W,

No.19 Science Park West Avenue,

Hong Kong Science Park, N.T.,

HONG KONG

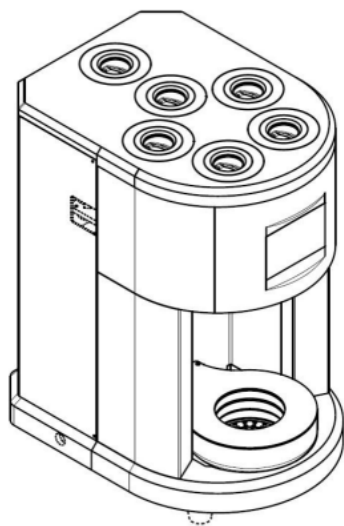
[74] INCOMPASS IP LIMITED

Unit 205, 2/F, Building 19W,

19 Science Park West Avenue,

Hong Kong Science Park,

Pak Shek Kok, HONG KONG



[11] 2424801.5M001

[15] 24-12-2024

[30] 26-07-2024 / MA, NO, OM, SG, CH, TN, TR, UA, GB, EU, AL /
DM/239044

[51] Cl. 10-02

[54] 手錶

Wristwatch

[73] SWATCH AG (SWATCH SA) (SWATCH LTD.)

Nicolas G. Hayek Strasse 1,
2502 Biel/Bienne,
SWITZERLAND

[74] SPRUSON & FERGUSON (HONG KONG) LIMITED

5001 Hopewell Centre,
183 Queen's Road East,
Wan Chai, HONG KONG



[11] 2424801.5M002

[15] 24-12-2024

[30] 26-07-2024 / MA, NO, OM, SG, CH, TN, TR, UA, GB, EU, AL /
DM/239044

[51] Cl. 10-02

[54] 手錶

Wristwatch

[73] SWATCH AG (SWATCH SA) (SWATCH LTD.)

Nicolas G. Hayek Strasse 1,
2502 Biel/Bienne,
SWITZERLAND

[74] SPRUSON & FERGUSON (HONG KONG) LIMITED

5001 Hopewell Centre,
183 Queen's Road East,
Wan Chai, HONG KONG



[11] 2424807.8M001

[15] 27-12-2024

[30] 15-07-2024 / CN / 2024304394952

[51] Cl. 2-01

[54] 胸罩

Brassiere

[73] 安莉芳(山東)服裝有限公司

Embry (Shandong) Garments Limited
28 Zhangqiu Avenue,
Zhangqiu District,
Jinan, Shandong,
CHINA

[74] SPRUSON & FERGUSON (HONG KONG) LIMITED

5001 Hopewell Centre,
183 Queen's Road East,
Wan Chai, HONG KONG



[11] 2424807.8M002

[15] 27-12-2024

[30] 13-09-2024 / CN / 2024305861800

[51] Cl. 2-01

[54] 胸罩

Brassiere

[73] 安莉芳(山東)服裝有限公司

Embry (Shandong) Garments Limited

28 Zhangqiu Avenue,

Zhangqiu District,

Jinan, Shandong,

CHINA

[74] SPRUSON & FERGUSON (HONG KONG) LIMITED

5001 Hopewell Centre,

183 Queen's Road East,

Wan Chai, HONG KONG



[11] 2424807.8M003

[15] 27-12-2024

[30] 19-09-2024 / CN / 2024305957038

[51] Cl. 2-01

[54] 胸罩

Brassiere

[73] 安莉芳(山東)服裝有限公司

Embry (Shandong) Garments Limited

28 Zhangqiu Avenue,

Zhangqiu District,

Jinan, Shandong,

CHINA

[74] SPRUSON & FERGUSON (HONG KONG) LIMITED

5001 Hopewell Centre,

183 Queen's Road East,

Wan Chai, HONG KONG



[11] 2424807.8M004

[15] 27-12-2024

[30] 29-09-2024 / CN / 2024306208309

[51] Cl. 2-01

[54] 胸罩

Brassiere

[73] 安莉芳(山東)服裝有限公司

Embry (Shandong) Garments Limited

28 Zhangqiu Avenue,

Zhangqiu District,

Jinan, Shandong,
CHINA

[74] SPRUSON & FERGUSON (HONG KONG) LIMITED
5001 Hopewell Centre,
183 Queen's Road East,
Wan Chai, HONG KONG



[11] 2424807.8M005

[15] 27-12-2024

[30] 29-09-2024 / CN / 2024306208328

[51] Cl. 2-01

[54] 胸罩

Brassiere

[73] 安莉芳(山東)服裝有限公司

Embry (Shandong) Garments Limited

28 Zhangqiu Avenue,

Zhangqiu District,

Jinan, Shandong,

CHINA

[74] SPRUSON & FERGUSON (HONG KONG) LIMITED

5001 Hopewell Centre,

183 Queen's Road East,

Wan Chai, HONG KONG



[11] 2424812.8

[15] 27-12-2024

[51] Cl. 11-01

[54] 戒指
Ring

[73] 周大福珠寶金行(深圳)有限公司
Chow Tai Fook Jewellery (Shenzhen) Company Limited
中國
廣東省深圳市鹽田區深鹽路
黃金珠寶大廈 12 樓 A 座

[74] 天標知識產權代理有限公司
香港
九龍尖沙咀加連威老道 14 號
加連威大廈 4 樓 A 座



[11] 2424813.0

[15] 27-12-2024

[51] Cl. 11-01

[54] 戒指
Ring

[73] 周大福珠寶金行(深圳)有限公司
Chow Tai Fook Jewellery (Shenzhen) Company Limited
中國
廣東省深圳市鹽田區深鹽路
黃金珠寶大廈 12 樓 A 座

[74] 天標知識產權代理有限公司
香港
九龍尖沙咀加連威老道 14 號
加連威大廈 4 樓 A 座



[11] 2424832.0

[15] 31-12-2024

[51] Cl. 21-01

[54] 玩具人
Toy figure

[73] 邱志崇
YAU CHI SUNG
香港
新界將軍澳調景嶺
都會駅 2 座 19 樓 C 室

[74] YAU CHI SUNG
香港
新界將軍澳調景嶺
都會駅 2 座 19 樓 C 室



[11] 2424833.2

[15] 31-12-2024

[51] Cl. 21-01

[54] 玩具人
Toy figure

[73] 邱志崇
YAU CHI SUNG
香港
新界將軍澳調景嶺
都會駅 2 座 19 樓 C 室

[74] YAU CHI SUNG
香港
新界將軍澳調景嶺
都會駅 2 座 19 樓 C 室



- [11] 2424834.4
[15] 31-12-2024
[51] Cl. 21-01
[54] 玩具人
Toy figure
[73] 邱志崇
YAU CHI SUNG
香港
新界將軍澳調景嶺
都會駅 2 座 19 樓 C 室
[74] YAU CHI SUNG
香港
將軍澳調景嶺
都會駅 2 座 19 樓 C 室



-
- [11] 2524843.4M001
[15] 03-01-2025
[30] 30-09-2024 / CN / 2024306250274
[51] Cl. 14-04
[54] 帶有電梯分配指示圖形用戶界面的電子設備
Electronic device with elevator allocation indication
graphical user interface
[73] 因温特奧股份公司
INVENTIO AG
Seestrasse 55,
CH-6052 Hergiswil NW,
SWITZERLAND
[74] MARKS & CLERK
Level 9, Cyberport 1,
100 Cyberport Road,
Pok Fu Lam, HONG KONG



[11] 2524843.4M002

[15] 03-01-2025

[30] 30-09-2024 / CN / 2024306250274

[51] Cl. 14-04

[54] 帶有電梯分配指示圖形用戶界面的電子設備

Electronic device with elevator allocation indication graphical user interface

[73] 因温特奧股份公司

INVENTIO AG

Seestrasse 55,

CH-6052 Hergiswil NW,

SWITZERLAND

[74] MARKS & CLERK

Level 9, Cyberport 1,

100 Cyberport Road,

Pok Fu Lam, HONG KONG



[11] 2524843.4M003

[15] 03-01-2025

[30] 30-09-2024 / CN / 2024306250274

[51] Cl. 14-04

[54] 帶有電梯分配指示圖形用戶界面的電子設備

Electronic device with elevator allocation indication
graphical user interface

[73] 因温特奧股份公司

INVENTIO AG

Seestrasse 55,

CH-6052 Hergiswil NW,

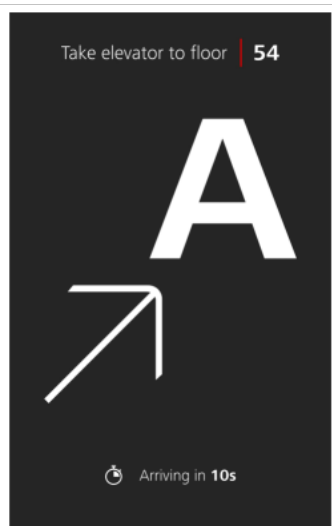
SWITZERLAND

[74] MARKS & CLERK

Level 9, Cyberport 1,

100 Cyberport Road,

Pok Fu Lam, HONG KONG



[11] 2524843.4M004

[15] 03-01-2025

[30] 30-09-2024 / CN / 2024306250274

[51] Cl. 14-04

[54] 帶有電梯分配指示圖形用戶界面的電子設備

Electronic device with elevator allocation indication
graphical user interface

[73] 因温特奧股份公司

INVENTIO AG

Seestrasse 55,

CH-6052 Hergiswil NW,
SWITZERLAND

[74] MARKS & CLERK
Level 9, Cyberport 1,
100 Cyberport Road,
Pok Fu Lam, HONG KONG



[11] 2524843.4M005

[15] 03-01-2025

[30] 30-09-2024 / CN / 2024306250274

[51] Cl. 14-04

[54] 帶有電梯分配指示圖形用戶界面的電子設備
Electronic device with elevator allocation indication
graphical user interface

[73] 因温特奧股份公司
INVENTIO AG
Seestrasse 55,
CH-6052 Hergiswil NW,
SWITZERLAND

[74] MARKS & CLERK
Level 9, Cyberport 1,
100 Cyberport Road,
Pok Fu Lam, HONG KONG



[11] 2524843.4M006

[15] 03-01-2025

[30] 30-09-2024 / CN / 2024306250274

[51] Cl. 14-04

[54] 帶有電梯分配指示圖形用戶界面的電子設備

Electronic device with elevator allocation indication
graphical user interface

[73] 因温特奧股份公司

INVENTIO AG

Seestrasse 55,

CH-6052 Hergiswil NW,

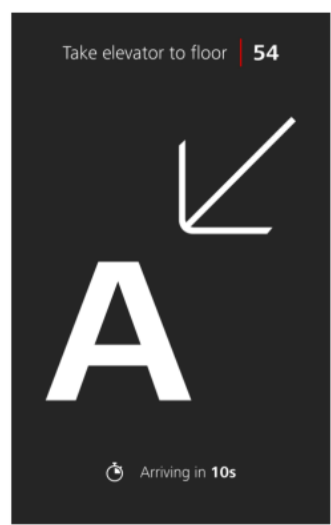
SWITZERLAND

[74] MARKS & CLERK

Level 9, Cyberport 1,

100 Cyberport Road,

Pok Fu Lam, HONG KONG



[11] 2524843.4M007

[15] 03-01-2025

[30] 30-09-2024 / CN / 2024306250274

[51] Cl. 14-04

[54] 帶有電梯分配指示圖形用戶界面的電子設備

Electronic device with elevator allocation indication
graphical user interface

[73] 因温特奧股份公司

INVENTIO AG

Seestrasse 55,

CH-6052 Hergiswil NW,

SWITZERLAND

[74] MARKS & CLERK

Level 9, Cyberport 1,

100 Cyberport Road,

Pok Fu Lam, HONG KONG



[11] 2524843.4M008

[15] 03-01-2025

[30] 30-09-2024 / CN / 2024306250274

[51] Cl. 14-04

[54] 帶有電梯分配指示圖形用戶界面的電子設備

Electronic device with elevator allocation indication
graphical user interface

[73] 因温特奧股份公司

INVENTIO AG

Seestrasse 55,

CH-6052 Hergiswil NW,
SWITZERLAND

[74] MARKS & CLERK
Level 9, Cyberport 1,
100 Cyberport Road,
Pok Fu Lam, HONG KONG



[11] 2524843.4M009

[15] 03-01-2025

[30] 30-09-2024 / CN / 2024306250274

[51] Cl. 14-04

[54] 帶有電梯分配指示圖形用戶界面的電子設備
Electronic device with elevator allocation indication
graphical user interface

[73] 因温特奧股份公司
INVENTIO AG
Seestrasse 55,
CH-6052 Hergiswil NW,
SWITZERLAND

[74] MARKS & CLERK
Level 9, Cyberport 1,
100 Cyberport Road,
Pok Fu Lam, HONG KONG



[11] 2524843.4M010

[15] 03-01-2025

[30] 30-09-2024 / CN / 2024306250274

[51] Cl. 14-04

[54] 帶有電梯分配指示圖形用戶界面的電子設備

Electronic device with elevator allocation indication
graphical user interface

[73] 因温特奧股份公司

INVENTIO AG

Seestrasse 55,

CH-6052 Hergiswil NW,

SWITZERLAND

[74] MARKS & CLERK

Level 9, Cyberport 1,

100 Cyberport Road,

Pok Fu Lam, HONG KONG



[11] 2524847.3M001

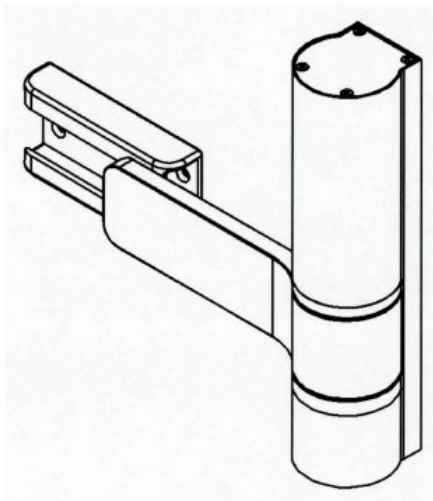
[15] 07-01-2025

[51] Cl. 8-07

[54] 臂形電動鎖
Arm-shaped electric motorized lock

[73] 密思達科研有限公司
Matrix Research Limited
香港
荃灣白田壩街 5-21 號
嘉力工業中心 A 座 16 樓 22 室

[74] 密思達科研有限公司
香港
荃灣白田壩街 5-21 號
嘉力工業中心 A 座 16 樓 22 室



[11] 2524847.3M002

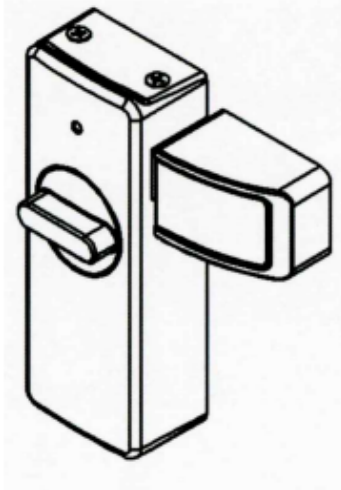
[15] 07-01-2025

[51] Cl. 8-07

[54] 指旋電動鎖
Thumb turn electric motorized lock

[73] 密思達科研有限公司
Matrix Research Limited
香港
荃灣白田壩街 5-21 號
嘉力工業中心 A 座 16 樓 22 室

[74] 密思達科研有限公司
香港
荃灣白田壩街 5-21 號
嘉力工業中心 A 座 16 樓 22 室



[11] 2524848.5

[15] 07-01-2025

[51] Cl. 21-01

[54] 智能寵物機器人
Intelligent robotic pet

[73] 杭州簡墨科技有限公司
Hangzhou Genmoor Technology Co.,. Ltd.
Room 09, 13th Floor,
No. 252, Wensan Road,
West Lake District, Hangzhou,
Zhejiang Province, CHINA

[74] ACCOLADE IP LIMITED
Unit 2406B, 24/F, Low Block,
Grand Millennium Plaza,
181 Queen's Road Central,
Sheung Wan, HONG KONG





香港特別行政區政府知識產權署外觀設計註冊處

The Government of the Hong Kong Special Administrative Region

Designs Registry, Intellectual Property Department

根據註冊外觀設計條例第 28 條，下列註冊外觀設計因未繳續期費而停止有效。

各組記項按註冊外觀設計停止有效日期及註冊編號先後次序排列。

Registered designs ceased through non-payment of renewal fees under section 28 of the Registered Designs Ordinance. Entries are listed below under their expiry dates.

20-01-2025 - 29-01-2025

20-01-2025	1500182.1M007	2015497.3
1000128.3M004	1500182.1M008	
1500156.7	1500182.1M009	25-01-2025
1500157.9	1500182.1M010	1500194.6M001
1500158.1M001	1500184.5M002	1500194.6M002
1500158.1M002	1500185.8	1500194.6M003
1500159.3	1500186.0M001	1500194.6M004
2015462.9M001	1500186.0M002	1500195.9M001
2015462.9M002	1500187.2M001	1500195.9M002
2015463.1	1500187.2M002	1500195.9M003
2015466.8M001	1500187.2M003	1500195.9M004
2015469.4	1500188.4M001	1500195.9M005
	1500188.4M002	1500195.9M006
21-01-2025	1500188.4M003	1500195.9M007
1500169.4	1500188.4M004	1500195.9M008
1500178.3M001	1500188.4M005	1500196.1M001
1500178.3M002	1500188.4M007	1500196.1M002
1500178.3M003	2015472.0	1500196.1M003
1500178.3M004	2015473.2	1500196.1M004
1500178.3M005	2015475.7	1500196.1M005
1500178.3M006	2015476.9	1500197.3
1500178.3M007	2015477.1	1500198.5M001
1500179.5M001	2015478.3	1500198.5M002
1500179.5M002		
1500180.7M001	22-01-2025	26-01-2025
1500180.7M002	2015480.7	1500203.7M001
1500181.9M001	2015488.4M001	1500203.7M002
1500181.9M002	2015488.4M002	1500203.7M003
1500182.1M001	2015488.4M004	1500203.7M004
1500182.1M002	2015488.4M005	1500203.7M005
1500182.1M003	2015491.0	1500203.7M006
1500182.1M004		1500203.7M007
1500182.1M005	23-01-2025	1500203.7M008
1500182.1M006	2015496.1	1500203.7M009

1500203.7M010
1500204.9
1500205.2M001
1500205.2M002
1500205.2M003

27-01-2025

1000171.3
1500213.8
1500214.0M001
1500214.0M002
1500215.3M001
1500215.3M002
1500215.3M003
1500215.3M004
1500216.5M001
1500216.5M002
1500216.5M003
1500216.5M004
1500217.7M001
1500217.7M002
1500217.7M003
1500217.7M004
1500218.9M001
1500218.9M002
1500218.9M003
1500218.9M004
1500223.9

28-01-2025

0500193.2M001
0500193.2M002
1000180.2M002
1000180.2M003
1000180.2M004
1000180.2M005
1000180.2M006
1500232.8M001
1500232.8M002
1500232.8M003
1500232.8M004
1500232.8M005
1500232.8M006
1500232.8M007
1500232.8M008
1500232.8M009
1500232.8M010
1500233.0M001

1500233.0M002
1500233.0M003
1500234.2M001
1500234.2M002
1500234.2M003
1500234.2M004
1500234.2M005
1500234.2M006
1500235.5M001
1500235.5M002
1500235.5M003
1500235.5M004
1500235.5M005
1500235.5M006
1500235.5M007
1500235.5M008

29-01-2025

1500254.4M005
1500254.4M008
1500254.4M009
1500254.4M010
2015505.3



香港特別行政區政府知識產權署外觀設計註冊處

The Government of the Hong Kong Special Administrative Region

Designs Registry, Intellectual Property Department

根據註冊外觀設計規則第 31 條刪除的註冊外觀設計。各組記項按註冊外觀設計刪除日期及註冊編號先後次序排列。

Registered designs removed under section 31 of the Registered Designs Rules. Entries are listed below under their removal dates.

28-01-2025 - 06-02-2025

28-01-2025

1914312.8
1401359.7M001 1914313.0M001
1401359.7M002 1914313.0M002
1401359.7M003
1401359.7M004
1401359.7M005

29-01-2025

1401365.0M002
1401366.2M001
1914284.7M002
1914285.0M002
1914286.2M002
1914286.2M003
1914288.6
1914290.0
1914291.2
1914297.5

30-01-2025

1914301.5M001
1914301.5M002
1914301.5M003
1914302.7M002
1914302.7M005
1914303.9M001
1914303.9M002
1914308.0M002

31-01-2025

0411627.7
1401373.6
1914310.4M002
1914310.4M003

1914312.8

1914313.0M001

1914313.0M002

01-02-2025

1401377.5

1401378.7

1401383.7

1914318.1M001

1914318.1M003

1914319.3M001

1914319.3M003

1914319.3M005

1914319.3M006

1914319.3M007

1914319.3M009

1914319.3M010

1914319.3M011

1914320.5M001

1914320.5M003

1914320.5M005

1914320.5M006

1914320.5M007

1914320.5M009

1914320.5M010

1914320.5M011

02-02-2025

1914322.9M001

1914322.9M002

1914325.6

03-02-2025

0411648.1

04-02-2025

0901192.5

1401397.7M001

05-02-2025

0901194.9M005

1401402.9

1401407.0

1914284.7M001

1914285.0M001

1914330.6M001

1914330.6M002

06-02-2025

0411687.3M001

0411687.3M002

0411687.3M003

0411687.3M004

0411687.3M006

1401410.6

1401411.8M002

1401412.0

1914336.9