

# 香港知識產權公報

Hong Kong Intellectual Property Journal

2025年3月21日

21 March 2025

## 目錄 Contents

### 根據註冊外觀設計條例第 25 條註冊的外觀設計

#### **Designs Registered under section 25 of the Registered Designs Ordinance**

按註冊編號排列

Arranged by Registration Number

### 根據註冊外觀設計條例(第 522 章)公布的其他公告

#### **Other Notices Published under the Registered Designs Ordinance (Cap. 522)**

根據註冊外觀設計條例第 28 條，註冊外觀設計因未繳續期費而停止有效

Registered designs ceased through non-payment of renewal fees under section 28 of the Registered Designs Ordinance

根據註冊外觀設計規則第 31 條刪除的註冊外觀設計

Registered designs removed under section 31 of the Registered Designs Rules

根據註冊外觀設計條例第 76 條，更正已提交文件中的錯誤

Correction of errors in filed documents under section 76 of the Registered Designs Ordinance

### 以下事項沒有記錄

#### **No Records for the Following Matters**

根據註冊外觀設計條例第 30 條放棄的外觀設計的註冊

Surrender of Registration of Design under section 30 of the Registered Designs Ordinance

根據註冊外觀設計規則第 37 條，向處長作出轉介

Reference to Registrar under section 37 of the Registered Designs Rules

根據註冊外觀設計條例第 45 條，撤銷註冊

Revocation of Registration under section 45 of the Registered Designs Ordinance

根據註冊外觀設計規則第 46 條，向法院作出轉介

Reference to Court under section 46 of the Registered Designs Rules

根據註冊外觀設計規則第 63 條對不符合規定之處作出糾正

Rectification of Irregularities under section 63 of the Registered Designs Rules

根據註冊外觀設計條例第 66 條，糾正註冊紀錄冊

Rectification of Register under section 66 of the Registered Designs Ordinance

根據註冊外觀設計條例第 67 條 更正註冊紀錄冊內的錯誤

Correction of errors in Register under section 67 of the Registered Designs Ordinance

根據註冊外觀設計條例第 67 及 76 條，更正註冊紀錄冊內及已提交文件中的錯誤

Correction of Errors in Register and in Filed Documents under sections 67 and 76 of the Registered Designs Ordinance

勘誤

Corrigendum

## 註冊外觀設計公告註釋

### Notes on advertisements of registration of designs

方括號表示下列資料：

Square brackets indicate the following data：

[11] 註冊編號 Registration number / 聯合王國註冊編號 United Kingdom registration number

[15] 註冊日期 Registration date / 當作註冊日期 Deemed registration date / 聯合王國註冊日期 United Kingdom registration date

[17] 註冊有效期屆滿日期 Expiry date of the period of registration

[22] 提交日期 Filing date / 當作提交日期 Deemed filing date / 聯合王國提交日期 United Kingdom filing date

[30] 聲稱享有的優先權（提交日期 / 巴黎公約國或世界貿易組織成員 / 申請編號） Priority claimed (filing date / Paris Convention country or WTO member / application number)

[51] 國際外觀設計分類號（洛迦諾分類號） International Classification of designs (Locarno Classification)

[54] 物品 Article

[55] 外觀設計的表述 Representation of the design

[62] 分開前的申請編號及提交日期 Application number before division and filing date

[66] 過往註冊的聯繫外觀設計註冊編號 / 日期 Registration No. / Date of Previous Registration for Association

[72] 設計人 Designer

[73] 擁有人姓名和地址 Name and address of the owner

[74] 代理人 Agent /送達地址 Address for service



香港特別行政區政府知識產權署外觀設計註冊處  
The Government of the Hong Kong Special Administrative Region  
Designs Registry, Intellectual Property Department

## 根據註冊外觀設計條例第 25 條註冊的外觀設計

### Designs registered under section 25 of the Registered Designs Ordinance

按註冊編號排列

Arranged by Registration Number

[11] 2423735.4M001

[15] 22-07-2024

[30] 22-01-2024 / US / 29/924,996

[51] Cl. 24-02

[54] 藥物輸送裝置

Medication delivery device

[73] ELI LILLY AND COMPANY

P.O. Box 6288,

Indianapolis, IN 46206-6288,

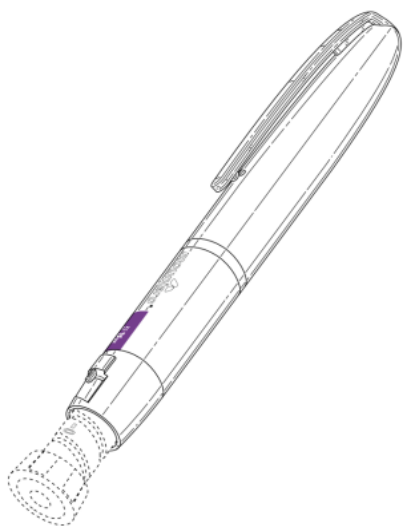
United States of America

[74] MARKS & CLERK

Level 9, Cyberport 1,

100 Cyberport Road, Pok Fu Lam,

Hong Kong

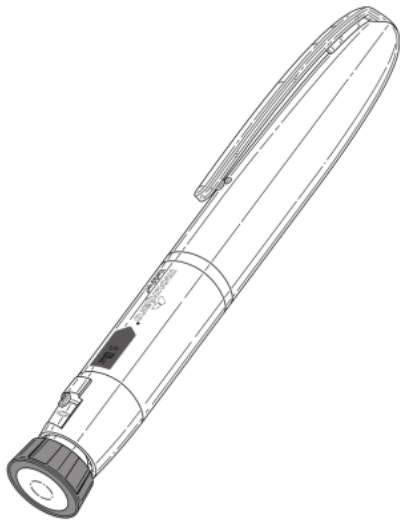


---

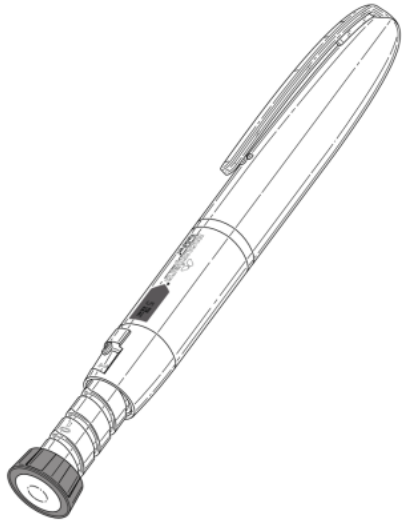
[11] 2423735.4M002

[15] 22-07-2024

- [30] 22-01-2024 / US / 29/924,996  
[51] Cl. 24-02  
[54] 藥物輸送裝置  
Medication delivery device  
[73] ELI LILLY AND COMPANY  
P.O. Box 6288,  
Indianapolis, IN 46206-6288,  
United States of America  
[74] MARKS & CLERK  
Level 9, Cyberport 1,  
100 Cyberport Road, Pok Fu Lam,  
Hong Kong



- 
- [11] 2423735.4M003  
[15] 22-07-2024  
[30] 22-01-2024 / US / 29/924,996  
[51] Cl. 24-02  
[54] 藥物輸送裝置  
Medication delivery device  
[73] ELI LILLY AND COMPANY  
P.O. Box 6288,  
Indianapolis, IN 46206-6288,  
United States of America  
[74] MARKS & CLERK  
Level 9, Cyberport 1,  
100 Cyberport Road, Pok Fu Lam,  
Hong Kong



---

[11] 2423735.4M004

[15] 22-07-2024

[30] 22-01-2024 / US / 29/924,996

[51] Cl. 24-02

[54] 藥物輸送裝置

Medication delivery device

[73] ELI LILLY AND COMPANY

P.O. Box 6288,

Indianapolis, IN 46206-6288,

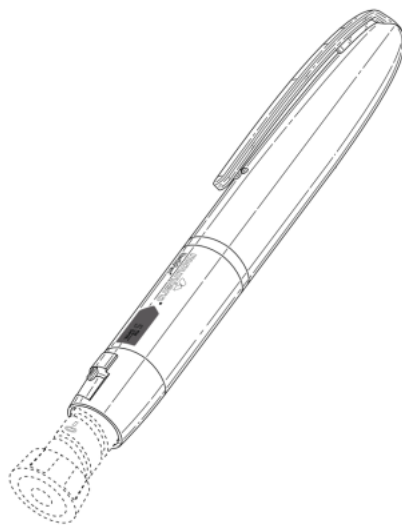
United States of America

[74] MARKS & CLERK

Level 9, Cyberport 1,

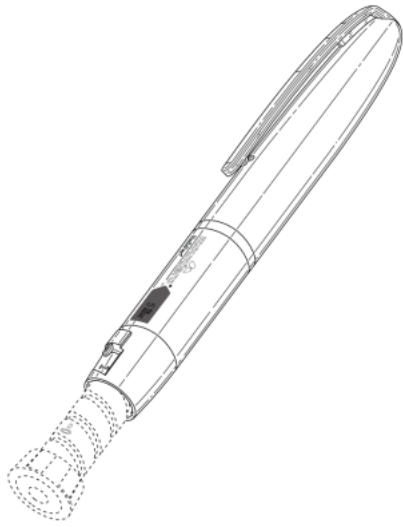
100 Cyberport Road, Pok Fu Lam,

Hong Kong

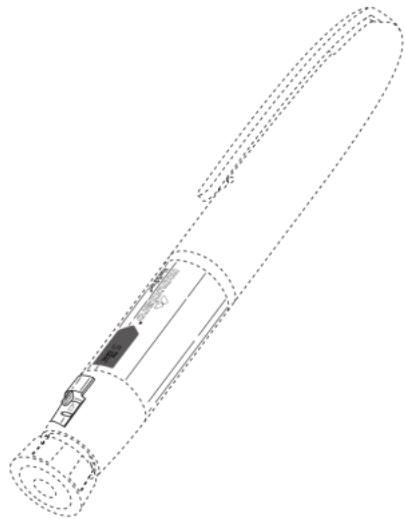




- [11] 2423735.4M005  
[15] 22-07-2024  
[30] 22-01-2024 / US / 29/924,996  
[51] Cl. 24-02  
[54] 藥物輸送裝置  
Medication delivery device  
[73] ELI LILLY AND COMPANY  
P.O. Box 6288,  
Indianapolis, IN 46206-6288,  
United States of America  
[74] MARKS & CLERK  
Level 9, Cyberport 1,  
100 Cyberport Road, Pok Fu Lam,  
Hong Kong



- 
- [11] 2423735.4M006  
[15] 22-07-2024  
[30] 22-01-2024 / US / 29/924,996  
[51] Cl. 24-02  
[54] 藥物輸送裝置  
Medication delivery device  
[73] ELI LILLY AND COMPANY  
P.O. Box 6288,  
Indianapolis, IN 46206-6288,  
United States of America  
[74] MARKS & CLERK  
Level 9, Cyberport 1,  
100 Cyberport Road, Pok Fu Lam,  
Hong Kong



---

[11] 2423735.4M007

[15] 22-07-2024

[30] 22-01-2024 / US / 29/924,996

[51] Cl. 24-02

[54] 藥物輸送裝置

Medication delivery device

[73] ELI LILLY AND COMPANY

P.O. Box 6288,

Indianapolis, IN 46206-6288,

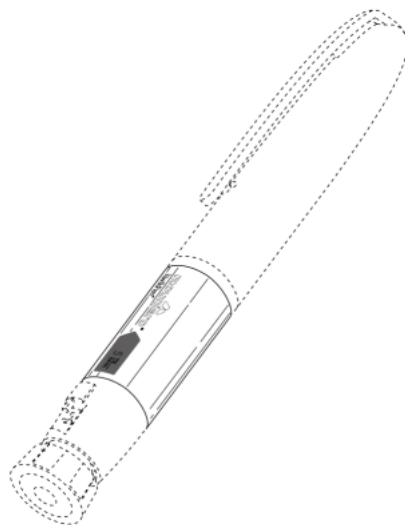
United States of America

[74] MARKS & CLERK

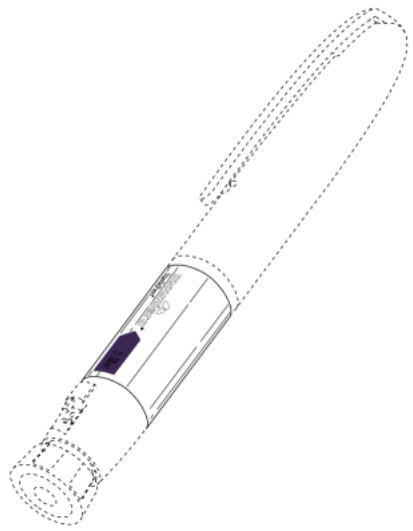
Level 9, Cyberport 1,

100 Cyberport Road, Pok Fu Lam,

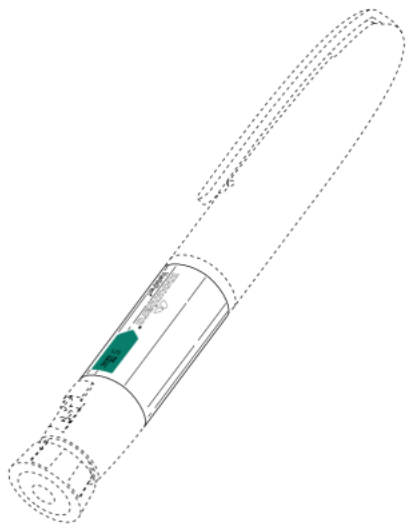
Hong Kong



- [11] 2423735.4M008  
[15] 22-07-2024  
[30] 22-01-2024 / US / 29/924,996  
[51] Cl. 24-02  
[54] 藥物輸送裝置  
Medication delivery device  
[73] ELI LILLY AND COMPANY  
P.O. Box 6288,  
Indianapolis, IN 46206-6288,  
United States of America  
[74] MARKS & CLERK  
Level 9, Cyberport 1,  
100 Cyberport Road, Pok Fu Lam,  
Hong Kong



- [11] 2423735.4M009  
[15] 22-07-2024  
[30] 22-01-2024 / US / 29/924,996  
[51] Cl. 24-02  
[54] 藥物輸送裝置  
Medication delivery device  
[73] ELI LILLY AND COMPANY  
P.O. Box 6288,  
Indianapolis, IN 46206-6288,  
United States of America  
[74] MARKS & CLERK  
Level 9, Cyberport 1,  
100 Cyberport Road, Pok Fu Lam,  
Hong Kong



---

[11] 2423735.4M010

[15] 22-07-2024

[30] 22-01-2024 / US / 29/924,996

[51] Cl. 24-02

[54] 藥物輸送裝置

Medication delivery device

[73] ELI LILLY AND COMPANY

P.O. Box 6288,

Indianapolis, IN 46206-6288,

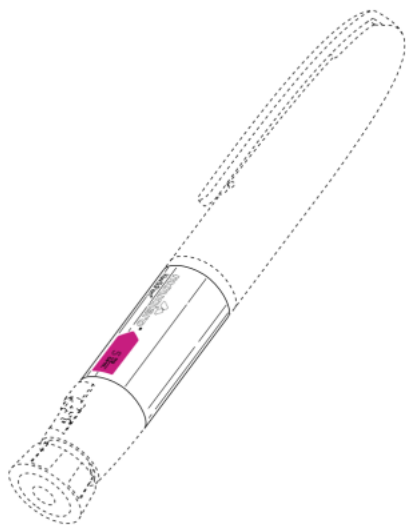
United States of America

[74] MARKS & CLERK

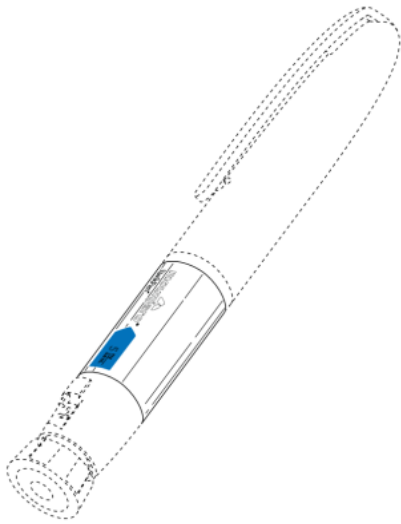
Level 9, Cyberport 1,

100 Cyberport Road, Pok Fu Lam,

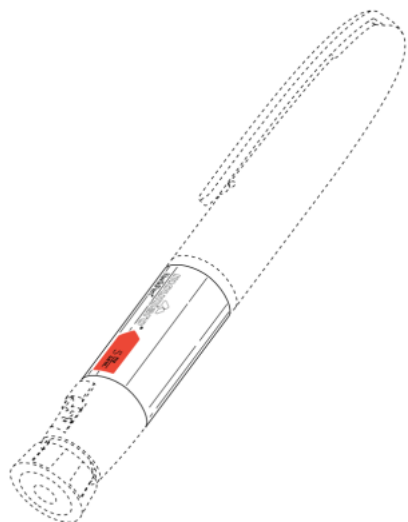
Hong Kong



- [11] 2423735.4M011  
[15] 22-07-2024  
[30] 22-01-2024 / US / 29/924,996  
[51] Cl. 24-02  
[54] 藥物輸送裝置  
Medication delivery device  
[73] ELI LILLY AND COMPANY  
P.O. Box 6288,  
Indianapolis, IN 46206-6288,  
United States of America  
[74] MARKS & CLERK  
Level 9, Cyberport 1,  
100 Cyberport Road, Pok Fu Lam,  
Hong Kong
- 



- 
- [11] 2423735.4M012  
[15] 22-07-2024  
[30] 22-01-2024 / US / 29/924,996  
[51] Cl. 24-02  
[54] 藥物輸送裝置  
Medication delivery device  
[73] ELI LILLY AND COMPANY  
P.O. Box 6288,  
Indianapolis, IN 46206-6288,  
United States of America  
[74] MARKS & CLERK  
Level 9, Cyberport 1,  
100 Cyberport Road, Pok Fu Lam,  
Hong Kong



---

[11] 2424278.4

[15] 14-10-2024

[30] 15-04-2024 / US / 29/937,466

[51] Cl. 26-02

[54] 便攜燈

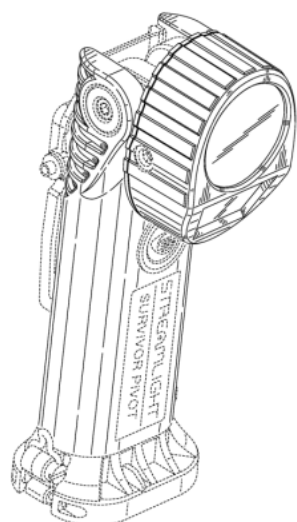
Portable light

[73] Streamlight, Inc.

30 Eagleville Road,  
Eagleville, Pennsylvania 19403,  
UNITED STATES OF AMERICA

[74] CHINA PATENT AGENT (HONG KONG) LIMITED

22/F, Great Eagle Centre,  
23 Harbour Road, Wanchai,  
Hong Kong

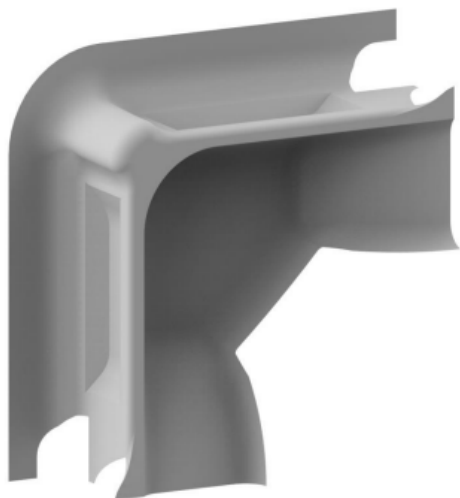


- [11] 2424418.2M001
- [15] 25-10-2024
- [30] 27-09-2024 / CN / 2024306159035
- [51] C1. 9-03
- [54] 包裝盒扣合件  
Packing box fixing parts
- [73] 東莞中央化學有限公司  
中國  
廣東省東莞市企石鎮萬豐工業路  
三街 20 號
- [74] 龍圖騰(香港)有限公司  
香港  
新界上水龍琛路 39 號  
上水廣場 21 樓 2113 室 RM869

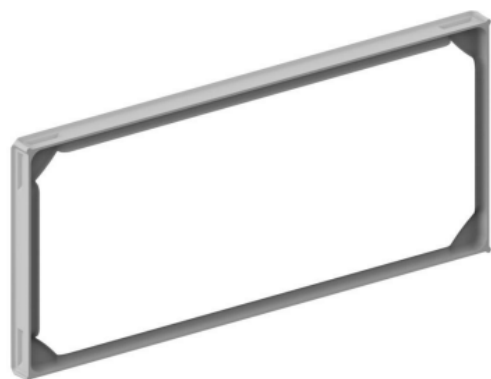


- 
- [11] 2424418.2M002
  - [15] 25-10-2024
  - [30] 27-09-2024 / CN / 2024306159035
  - [51] C1. 9-03
  - [54] 包裝盒扣合件  
Packing box fixing parts
  - [73] 東莞中央化學有限公司  
中國  
廣東省東莞市企石鎮萬豐工業路  
三街 20 號
  - [74] 龍圖騰(香港)有限公司  
香港

新界上水龍琛路 39 號  
上水廣場 21 樓 2113 室 RM869



- 
- [11] 2424418.2M003
  - [15] 25-10-2024
  - [30] 27-09-2024 / CN / 2024306159035
  - [51] C1. 9-03
  - [54] 包裝盒扣合件  
Packing box fixing parts
  - [73] 東莞中央化學有限公司  
中國  
廣東省東莞市企石鎮萬豐工業路  
三街 20 號
  - [74] 龍圖騰(香港)有限公司  
香港  
新界上水龍琛路 39 號  
上水廣場 21 樓 2113 室 RM869





[11] 2424520.9

[15] 13-11-2024

[30] 13-05-2024 / US / 29/941,921

[51] Cl. 28-03

[54] 可再填充化妝品盒

Refillable cosmetic compact

[73] ELC MANAGEMENT LLC

155 Pinelawn Road,

Suite 345 South,

Melville, NY 11747,

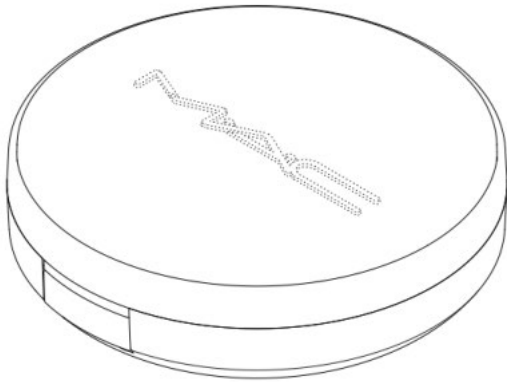
UNITED STATES OF AMERICA

[74] CHINA PATENT AGENT (HONG KONG) LIMITED

22/F, Great Eagle Centre,

23 Harbour Road, Wanchai,

HONG KONG



---

[11] 2424553.8

[15] 18-11-2024

[51] Cl. 15-99

[54] 廢物焚化爐用格柵塊

Grate block for waste incinerator

[73] Kanadevia Corporation

7-89, Nanko-kita 1-chome, Suminoe-ku,

Osaka-shi, Osaka 559-8559,

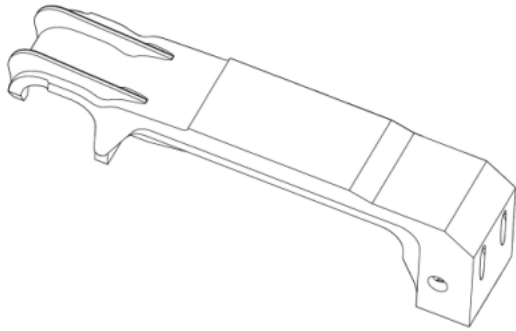
JAPAN

[74] CHINA PATENT AGENT (HONG KONG) LIMITED

22/F, Great Eagle Centre,

23 Harbour Road, Wanchai,

HONG KONG



---

[11] 2424569.2

[15] 21-11-2024

[30] 22-05-2024 / FR / 20242301

[51] Cl. 3-01

[54] 袋  
Bag

[73] LOUIS VUITTON MALLETIER  
2 rue du Pont-Neuf,  
75001 Paris,  
FRANCE

[74] BAKER & MCKENZIE  
14TH FLOOR, ONE TAIKOO PLACE,  
979 KING'S ROAD, QUARRY BAY,  
HONG KONG



---

[11] 2424583.1M001

[15] 22-11-2024

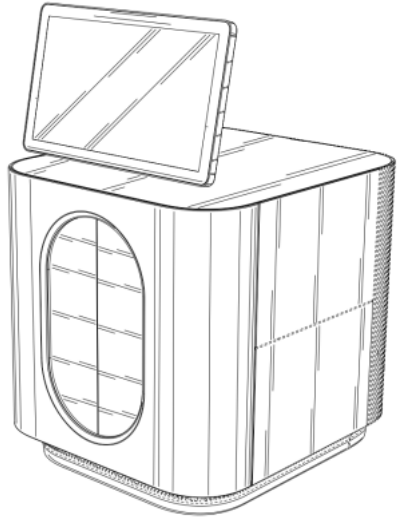
[30] 24-05-2024 / US / 29/943,995

[51] Cl. 24-01

[54] 定序儀器  
Sequencing instrument

[73] ILLUMINA, INC.  
5200 ILLUMINA WAY,  
SAN DIEGO, CA 92122,  
UNITED STATES OF AMERICA

[74] WILKINSON & GRIST  
11/F, Great Eagle Centre,  
23 Harbour Road,  
HONG KONG



---

[11] 2424583.1M002

[15] 22-11-2024

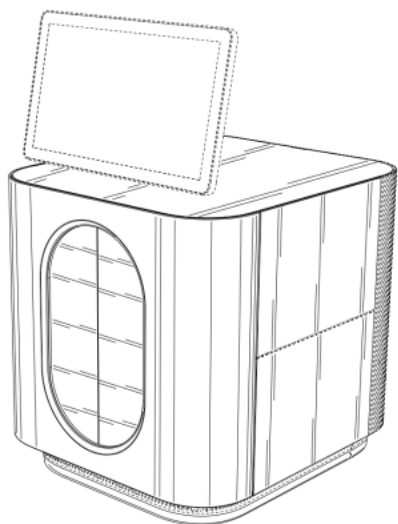
[30] 24-05-2024 / US / 29/943,995

[51] Cl. 24-01

[54] 定序儀器  
Sequencing instrument

[73] ILLUMINA, INC.  
5200 ILLUMINA WAY,  
SAN DIEGO, CA 92122,  
UNITED STATES OF AMERICA

[74] WILKINSON & GRIST  
11/F, Great Eagle Centre,  
23 Harbour Road,  
HONG KONG



---

[11] 2424584.3M001

[15] 22-11-2024

[30] 22-05-2024 / FR / 20242315

[51] Cl. 2-04

[54] 鞋

Footwear

[73] LOUIS VUITTON MALLETIER

2 rue du Pont-Neuf,

75001 Paris,

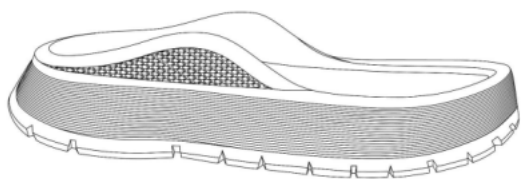
FRANCE

[74] BAKER & MCKENZIE

14TH FLOOR, ONE TAIKOO PLACE,

979 KING'S ROAD, QUARRY BAY,

HONG KONG



---

[11] 2424584.3M002

[15] 22-11-2024

[30] 22-05-2024 / FR / 20242315

[51] Cl. 2-04

[54] 鞋

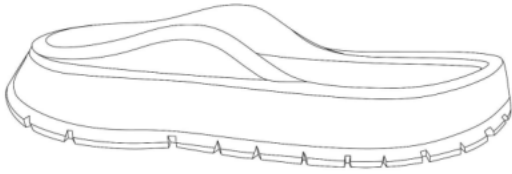
Footwear

[73] LOUIS VUITTON MALLETIER

2 rue du Pont-Neuf,

75001 Paris,  
FRANCE

[74] BAKER & MCKENZIE  
14TH FLOOR, ONE TAIKOO PLACE,  
979 KING'S ROAD, QUARRY BAY,  
HONG KONG



---

[11] 2424613.6

[15] 27-11-2024

[51] Cl. 9-01

[54] 酒瓶  
Wine bottle

[73] 贵州赖永初酒业有限公司  
Guizhou Lai Yongchu Spirits Co., Ltd.  
中國  
贵州省贵阳市贵州双龙航空港经济区  
龙洞社区服务中心食品工业园区 A 区 06 号

[74] 標準香港企業註冊服務有限公司  
香港  
九龍旺角彌敦道 678 號  
華僑商業中心 15C



---

[11] 2424630.2M001

[15] 29-11-2024

[30] 18-06-2024 / JP / 2024-012322

[51] Cl. 16-06

[54] 眼鏡配件

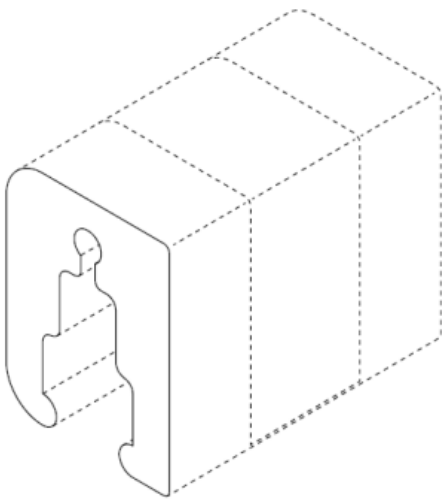
Attachment for eyeglasses

[73] JINS HOLDINGS Inc.

26-4, Kawaharamachi 2-Chome,  
Maebashi-shi, Gunma 371-0046,  
JAPAN

[74] GUANTAO & CHOW SOLICITORS AND NOTARIES

1801, 18/F, One Taikoo Place,  
979 King's Road, Quarry Bay,  
HONG KONG



---

[11] 2424630.2M002

[15] 29-11-2024

[30] 18-06-2024 / JP / 2024-012326

[51] Cl. 16-06

[54] 眼鏡配件

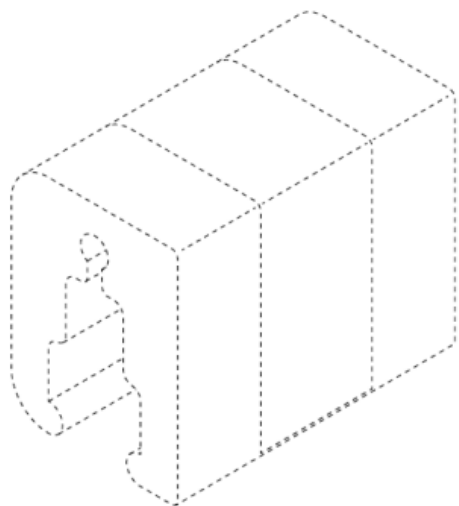
Attachment for eyeglasses

[73] JINS HOLDINGS Inc.

26-4, Kawaharamachi 2-Chome,  
Maebashi-shi, Gunma 371-0046,  
JAPAN

[74] GUANTAO & CHOW SOLICITORS AND NOTARIES

1801, 18/F, One Taikoo Place,  
979 King's Road, Quarry Bay,  
HONG KONG



---

[11] 2424758.3

[15] 17-12-2024

[51] Cl. 9-03

[54] 真空儲糧桶  
Vacuum storage container

[73] 鄧一康  
Yikang DENG  
中國  
廣東省深圳市龍崗區  
寶龍三路 2 號 (郵編: 518116)

[74] 中港專利有限公司  
香港  
灣仔告士打道 151 號  
資本中心 15 樓 1502 室



[11] 2524864.8

[15] 10-01-2025

[30] 07-10-2024 / EU / 015075252-0001

[51] Cl. 9-03

[54] 包裝盒

Packaging box

[73] LEGO A/S

Aastvej 1,

7190 Billund,

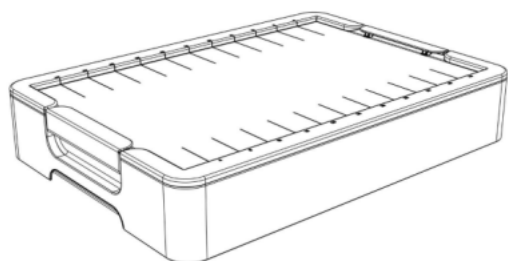
DENMARK

[74] ROUSE & CO. INTERNATIONAL (OVERSEAS) LIMITED

26/F., Tesbury Centre,

28 Queen's Road East,

HONG KONG



[11] 2524867.5

[15] 13-01-2025

[51] Cl. 9-03

[54] 巧克力的包裝桶

Chocolate packaging barrel

[73] 美莎集团有限公司

METZSA GROUP LIMITED

英國

伦敦地上 55 号

南岸塔 1804 单元

[74] 旻貝國際知識產權代理有限公司

香港

新界白石角香港科學園第三期

科技大道西 12 號 2 樓 230 室





---

[11] 2524871.3

[15] 15-01-2025

[30] 23-07-2024 / CA, MX, MC, MA, NO, CN, SG, CH, GB, US, VN, TR,  
EU, JP, KR / WIPO151006

[51] Cl. 2-04

[54] 鞋底

Shoe sole

[73] HERMES SELLIER

24, Rue du Faubourg Saint-Honoré,

75008 PARIS,

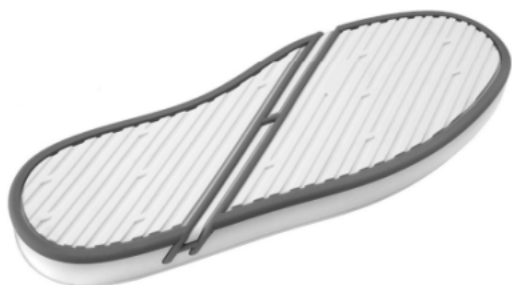
FRANCE

[74] DEACONS

5th Floor,

Alexandra House,

Central, HONG KONG



---

[11] 2524874.9

[15] 15-01-2025

[51] Cl. 9-03

- [54] 包裝盒  
Packaging box
- [73] 青島雙鯨藥業股份有限公司  
中國  
山東省青島市城陽區  
流亭工業園雙鯨路 2 號
- [74] 中港知識產權有限公司  
香港  
灣仔告士打道 151 號  
資本中心 15 樓 1502 室



- 
- [11] 2524875.2
  - [15] 15-01-2025
  - [51] C1. 9-03
  - [54] 包裝盒  
Packaging box
  - [73] 青島雙鯨藥業股份有限公司  
中國  
山東省青島市城陽區  
流亭工業園雙鯨路 2 號
  - [74] 中港知識產權有限公司  
香港  
灣仔告士打道 151 號  
資本中心 15 樓 1502 室



[11] 2524881.4

[15] 16-01-2025

[51] C1. 10-06

[54] 反光型太陽能閃燈

Reflective solar flashing light

[73] 永恒國際發展(香港)集團有限公司

EVERLASTING ROADSAFETY LIMITED  
ROOM 225-10, 2/F., MEGA CUBE,  
8 WANG KWONG ROAD, KOWLOON BAY,  
KOWLOON, HONG KONG

[74] HONG KONG INTELLECTUAL PROPERTY ADVISORY SERVICE LIMITED

1/F., FUK WO INDUSTRIAL BUILDING,  
5 SHEUNG HEI STREET, SAN PO KONG,  
KOWLOON, HONG KONG



[11] 2524882.6

[15] 17-01-2025

[30] 17-07-2024 / CN / 2024304467563

[51] Cl. 23-04

[54] 送風加濕景觀裝置的外框架

A ventilating, humidifying and decorative frame

[73] 廣東松下環境系統有限公司

Panasonic Ecology Systems Guangdong Co., Ltd.

2 South Chaogui Road,

Shunde High-Tech Industrial Zone (Ronggui),

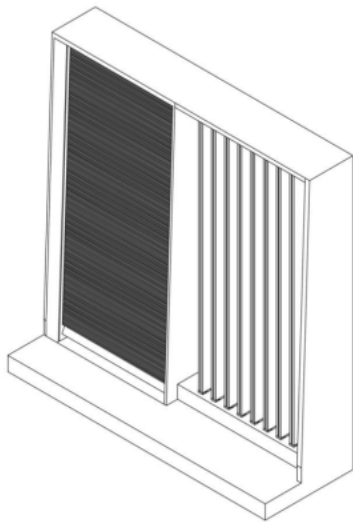
Foshan, Guangdong, P.R.China 528306

[74] MARKS & CLERK

Level 9, Cyberport 1,

100 Cyberport Road,

Pok Fu Lam, HONG KONG



---

[11] 2524894.1

[15] 21-01-2025

[30] 29-11-2024 / TW / 113306299

[51] Cl. 21-01

[54] 機器人玩具

Toy robot

[73] 相信音樂國際股份有限公司

B'IN MUSIC INTERNATIONAL LIMITED

6F., No. 12, Ln. 33, Guangfu S. Rd.,

Songshan Dist., Taipei City 10563,

TAIWAN

[74] DEACONS

5th Floor, Alexandra House,

Central,

HONG KONG



---

[11] 2524895.4

[15] 21-01-2025

[30] 29-11-2024 / TW / 113306300

[51] Cl. 21-01

[54] 變形玩具

Transforming toy

[73] 相信音樂國際股份有限公司

B'IN MUSIC INTERNATIONAL LIMITED  
6F., No. 12, Ln. 33, Guangfu S. Rd.,  
Songshan Dist., Taipei City 10563,  
TAIWAN

[74] DEACONS

5th Floor, Alexandra House,  
Central,  
HONG KONG



[11] 2524896.6

[15] 21-01-2025

[30] 29-11-2024 / TW / 113306301

[51] Cl. 21-01

[54] 玩具  
Toy

[73] 相信音樂國際股份有限公司  
B'IN MUSIC INTERNATIONAL LIMITED  
6F., No. 12, Ln. 33, Guangfu S. Rd.,  
Songshan Dist., Taipei City 10563,  
TAIWAN

[74] DEACONS  
5th Floor, Alexandra House,  
Central,  
HONG KONG



[11] 2524897.8

[15] 21-01-2025

[30] 29-11-2024 / TW / 113306302

[51] Cl. 21-01

[54] 玩具  
Toy

[73] 相信音樂國際股份有限公司  
B'IN MUSIC INTERNATIONAL LIMITED  
6F., No. 12, Ln. 33, Guangfu S. Rd.,  
Songshan Dist., Taipei City 10563,  
TAIWAN

[74] DEACONS  
5th Floor, Alexandra House,

Central,  
HONG KONG



[11] 2524898.0

[15] 21-01-2025

[30] 29-11-2024 / TW / 113306303

[51] Cl. 21-01

[54] 玩具  
Toy

[73] 相信音樂國際股份有限公司  
B'IN MUSIC INTERNATIONAL LIMITED  
6F., No. 12, Ln. 33, Guangfu S. Rd.,  
Songshan Dist., Taipei City 10563,  
TAIWAN

[74] DEACONS  
5th Floor, Alexandra House,  
Central,  
HONG KONG



[11] 2524899.2

[15] 21-01-2025

[30] 29-11-2024 / TW / 113306304

[51] Cl. 21-01

[54] 玩具

Toy

[73] 相信音樂國際股份有限公司

B'IN MUSIC INTERNATIONAL LIMITED  
6F., No. 12, Ln. 33, Guangfu S. Rd.,  
Songshan Dist., Taipei City 10563,  
TAIWAN

[74] DEACONS

5th Floor, Alexandra House,  
Central,  
HONG KONG



---

[11] 2524900.6

[15] 21-01-2025

[30] 29-11-2024 / TW / 113306306

[51] Cl. 21-01

[54] 玩具

Toy

[73] 相信音樂國際股份有限公司

B'IN MUSIC INTERNATIONAL LIMITED  
6F., No. 12, Ln. 33, Guangfu S. Rd.,  
Songshan Dist., Taipei City 10563,  
TAIWAN

[74] DEACONS

5th Floor, Alexandra House,  
Central,  
HONG KONG





---

[11] 2524904.4

[15] 21-01-2025

[30] 30-07-2024 / JP / 2024-015717

[51] Cl. 28-06

[54] 吹風機

Hair dryer

[73] 株式會社 MTG

MTG CO., LTD.

2-32 Honjin-tori, Nakamura-ku,

Nagoya-shi, Aichi 4530041,

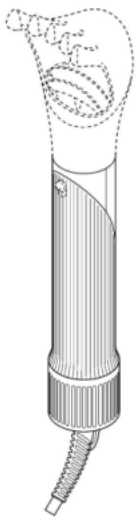
JAPAN

[74] CHINAHONGKONG IP LIMITED

1502, 15/F, Capital Centre,

151 Gloucester Road, Wanchai,

HONG KONG



[11] 2524908.3

[15] 22-01-2025

[30] 24-07-2024 / CN / 2024304656902

[51] Cl. 28-03

[54] 美容儀

Skin treatment equipment

[73] 杭州由萊科技有限公司

Hangzhou Ulike Technology Co., Ltd.

中國

浙江省杭州市濱江區

長河街道江虹路 735 號

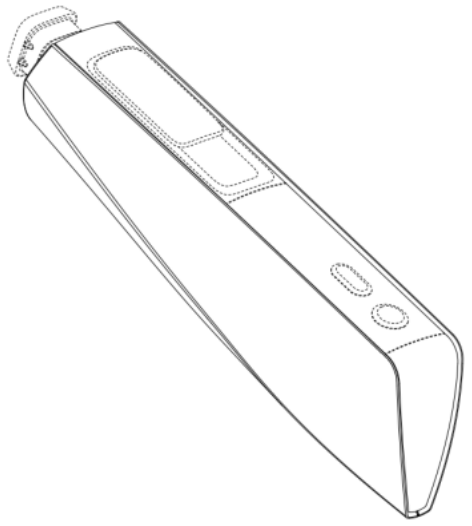
4 幢三層 306 室

[74] 專利及設計有限公司

香港

屯門新安街 16 號

百勝工業大廈 2A1 樓 A20 室



[11] 2524909.5

[15] 22-01-2025

[51] Cl. 9-03

[54] 包裝盒

Packing box

[73] 華人藥業(香港)有限公司

香港

觀塘開源道 60 號

駱駝漆大廈 3 座 7 樓 Q 室

[74] 華人藥業(香港)有限公司

香港

觀塘開源道 60 號

駱駝漆大廈 3 座 7 樓 Q 室



[11] 2524910.7M001

[15] 22-01-2025

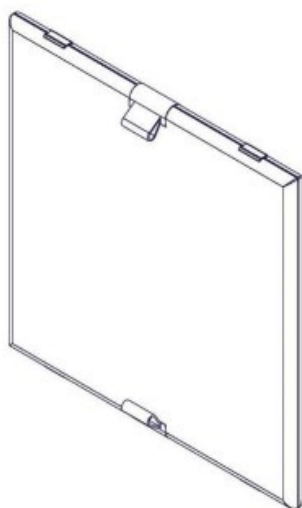
[30] 09-12-2024 / LI, NO, SG, CH, GB, EU, IS, JP, KR / WIPO156873

[51] Cl. 6-04

[54] 用於層架部件的磁性閉合蓋板  
Magnetic closing flap for shelf units

[73] USM U. Schärer Söhne AG  
Thunstrasse 55,  
3110 Münsingen,  
SWITZERLAND

[74] MINTERELLISON LLP  
Level 32, Wu Chung House,  
213 Queen's Road East,  
HONG KONG



[11] 2524910.7M002

[15] 22-01-2025

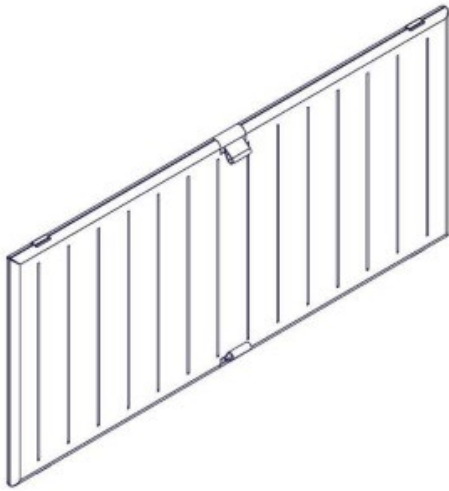
[30] 09-12-2024 / LI, NO, SG, CH, GB, EU, IS, JP, KR / WIPO156873

[51] Cl. 6-04

[54] 用於層架部件的磁性閉合蓋板  
Magnetic closing flap for shelf units

[73] USM U. Schärer Söhne AG  
Thunstrasse 55,  
3110 Münsingen,  
SWITZERLAND

[74] MINTERELLISON LLP  
Level 32, Wu Chung House,  
213 Queen's Road East,  
HONG KONG



---

[11] 2524910.7M003

[15] 22-01-2025

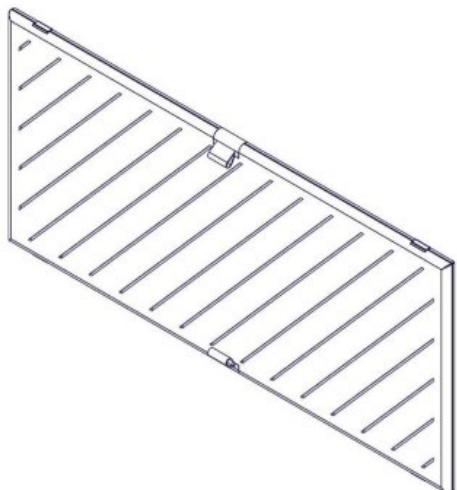
[30] 09-12-2024 / LI, NO, SG, CH, GB, EU, IS, JP, KR / WIPO156873

[51] Cl. 6-04

[54] 用於層架部件的磁性閉合蓋板  
Magnetic closing flap for shelf units

[73] USM U. Schärer Söhne AG  
Thunstrasse 55,  
3110 Münsingen,  
SWITZERLAND

[74] MINTERELLISON LLP  
Level 32, Wu Chung House,  
213 Queen's Road East,  
HONG KONG



---

[11] 2524910.7M004

[15] 22-01-2025

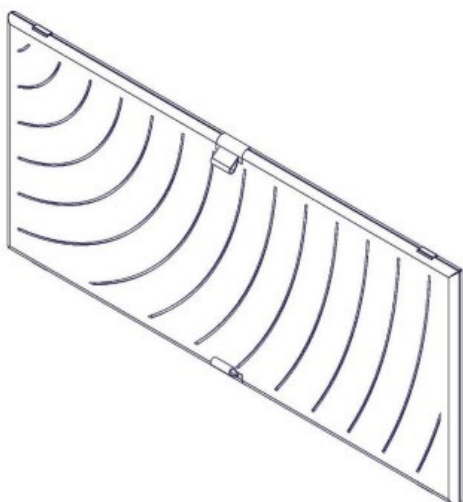
[30] 09-12-2024 / LI, NO, SG, CH, GB, EU, IS, JP, KR / WIPO156873

[51] Cl. 6-04

[54] 用於層架部件的磁性閉合蓋板  
Magnetic closing flap for shelf units

[73] USM U. Schärer Söhne AG  
Thunstrasse 55,  
3110 Münsingen,  
SWITZERLAND

[74] MINTERELLISON LLP  
Level 32, Wu Chung House,  
213 Queen's Road East,  
HONG KONG



- [11] 2524912.1  
[15] 22-01-2025  
[51] Cl. 11-01  
[54] 珠寶飾品  
Jewellery ornament  
[73] 周大福珠宝金行(深圳)有限公司  
CHOW TAI FOOK JEWELLERY (SHENZHEN) CO., LTD.  
中國  
广东省深圳市盐田区深盐路  
黄金珠宝大厦 12 楼 A 座  
[74] 中一聯合國際知識產權有限公司  
香港  
九龍觀塘興業街 20 號  
聯合興業工業大廈 5 樓 A26 室



- 
- [11] 2524913.3  
[15] 22-01-2025  
[51] Cl. 11-01  
[54] 珠寶飾品  
Jewellery ornament  
[73] 周大福珠宝金行(深圳)有限公司  
CHOW TAI FOOK JEWELLERY (SHENZHEN) CO., LTD.  
中國  
广东省深圳市盐田区深盐路  
黄金珠宝大厦 12 楼 A 座  
[74] 中一聯合國際知識產權有限公司  
香港  
九龍觀塘興業街 20 號  
聯合興業工業大廈 5 樓 A26 室



[11] 2524928.5

[15] 23-01-2025

[30] 29-11-2024 / TW / 113306305

[51] Cl. 21-01

[54] 玩具  
Toy

[73] 相信音樂國際股份有限公司  
B'IN MUSIC INTERNATIONAL LIMITED  
6F., No. 12, Ln. 33, Guangfu S. Rd.,  
Songshan Dist., Taipei City 10563,  
TAIWAN

[74] DEACONS  
5th Floor, Alexandra House,  
Central,  
HONG KONG



[11] 2524929.7

[15] 23-01-2025

[30] 29-11-2024 / TW / 113306307

[51] Cl. 21-01

[54] 玩具  
Toy

[73] 相信音樂國際股份有限公司  
B'IN MUSIC INTERNATIONAL LIMITED  
6F., No. 12, Ln. 33, Guangfu S. Rd.,  
Songshan Dist., Taipei City 10563,  
TAIWAN

[74] DEACONS  
5th Floor, Alexandra House,  
Central,  
HONG KONG



[11] 2524930.9

[15] 23-01-2025

[30] 29-11-2024 / TW / 113306308

[51] Cl. 21-01

[54] 玩具  
Toy

[73] 相信音樂國際股份有限公司  
B'IN MUSIC INTERNATIONAL LIMITED  
6F., No. 12, Ln. 33, Guangfu S. Rd.,  
Songshan Dist., Taipei City 10563,  
TAIWAN

[74] DEACONS  
5th Floor, Alexandra House,



Central,  
HONG KONG



---

[11] 2524931.1

[15] 23-01-2025

[30] 29-11-2024 / TW / 113306309

[51] Cl. 21-01

[54] 玩具  
Toy

[73] 相信音樂國際股份有限公司  
B'IN MUSIC INTERNATIONAL LIMITED  
6F., No. 12, Ln. 33, Guangfu S. Rd.,  
Songshan Dist., Taipei City 10563,  
TAIWAN

[74] DEACONS  
5th Floor, Alexandra House,  
Central,  
HONG KONG



---

[11] 2524932.3

[15] 23-01-2025

[30] 29-11-2024 / TW / 113306310

[51] Cl. 21-01

[54] 玩具  
Toy

[73] 相信音樂國際股份有限公司  
B'IN MUSIC INTERNATIONAL LIMITED  
6F., No. 12, Ln. 33, Guangfu S. Rd.,  
Songshan Dist., Taipei City 10563,  
TAIWAN

[74] DEACONS  
5th Floor, Alexandra House,  
Central,  
HONG KONG



- [11] 2524933.5  
[15] 23-01-2025  
[30] 29-11-2024 / TW / 113306311  
[51] Cl. 21-01  
[54] 玩具  
Toy  
[73] 相信音樂國際股份有限公司  
B'IN MUSIC INTERNATIONAL LIMITED  
6F., No. 12, Ln. 33, Guangfu S. Rd.,  
Songshan Dist., Taipei City 10563,  
TAIWAN  
[74] DEACONS  
5th Floor, Alexandra House,  
Central,  
HONG KONG



- 
- [11] 2524934.7  
[15] 23-01-2025  
[30] 29-11-2024 / TW / 113306312  
[51] Cl. 21-01  
[54] 玩具  
Toy  
[73] 相信音樂國際股份有限公司  
B'IN MUSIC INTERNATIONAL LIMITED  
6F., No. 12, Ln. 33, Guangfu S. Rd.,  
Songshan Dist., Taipei City 10563,  
TAIWAN  
[74] DEACONS  
5th Floor, Alexandra House,

Central,  
HONG KONG



[11] 2524935.0

[15] 23-01-2025

[30] 29-11-2024 / TW / 113306313

[51] Cl. 21-01

[54] 玩具  
Toy

[73] 相信音樂國際股份有限公司  
B'IN MUSIC INTERNATIONAL LIMITED  
6F., No. 12, Ln. 33, Guangfu S. Rd.,  
Songshan Dist., Taipei City 10563,  
TAIWAN

[74] DEACONS  
5th Floor, Alexandra House,  
Central,  
HONG KONG



[11] 2524936.2

[15] 23-01-2025

[30] 29-11-2024 / TW / 113306314

[51] Cl. 21-01

[54] 玩具

Toy

[73] 相信音樂國際股份有限公司

B'IN MUSIC INTERNATIONAL LIMITED  
6F., No. 12, Ln. 33, Guangfu S. Rd.,  
Songshan Dist., Taipei City 10563,  
TAIWAN

[74] DEACONS

5th Floor, Alexandra House,  
Central,  
HONG KONG



[11] 2524937.4

[15] 23-01-2025

[30] 29-11-2024 / TW / 113306322

[51] Cl. 21-01

[54] 玩具

Toy

[73] 相信音樂國際股份有限公司

B'IN MUSIC INTERNATIONAL LIMITED  
6F., No. 12, Ln. 33, Guangfu S. Rd.,  
Songshan Dist., Taipei City 10563,  
TAIWAN

[74] DEACONS

5th Floor, Alexandra House,  
Central,  
HONG KONG



---

[11] 2524965.3M001

[15] 03-02-2025

[30] 05-08-2024 / US / 29/955,936

[51] Cl. 13-03

[54] 電連接器

Electrical connector

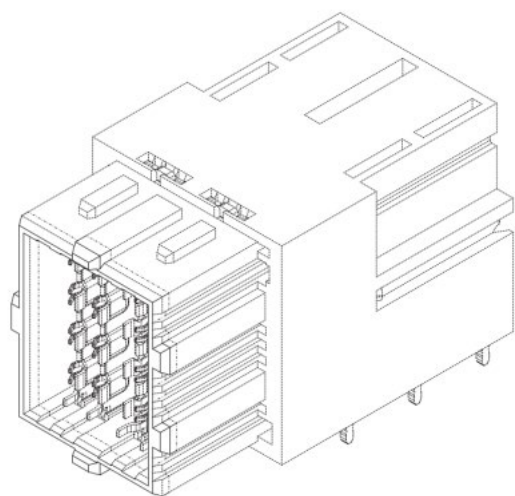
[73] 申泰公司

SAMTEC, INC.

520 Park East Boulevard,  
New Albany, Indiana 47150,  
UNITED STATES OF AMERICA

[74] CHINA SINDA INTELLECTUAL PROPERTY LIMITED

Unit 1703, 17/F, World-Wide House,  
19 Des Voeux Road Central,  
HONG KONG



[11] 2524965.3M002

[15] 03-02-2025

[30] 05-08-2024 / US / 29/955,936

[51] Cl. 13-03

[54] 電連接器

Electrical connector

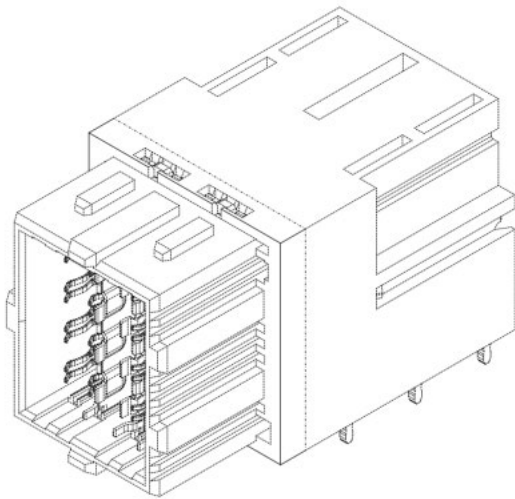
[73] 申泰公司

SAMTEC, INC.

520 Park East Boulevard,  
New Albany, Indiana 47150,  
UNITED STATES OF AMERICA

[74] CHINA SINDA INTELLECTUAL PROPERTY LIMITED

Unit 1703, 17/F, World-Wide House,  
19 Des Voeux Road Central,  
HONG KONG



---

[11] 2524965.3M003

[15] 03-02-2025

[30] 05-08-2024 / US / 29/955,936

[51] Cl. 13-03

[54] 電連接器

Electrical connector

[73] 申泰公司

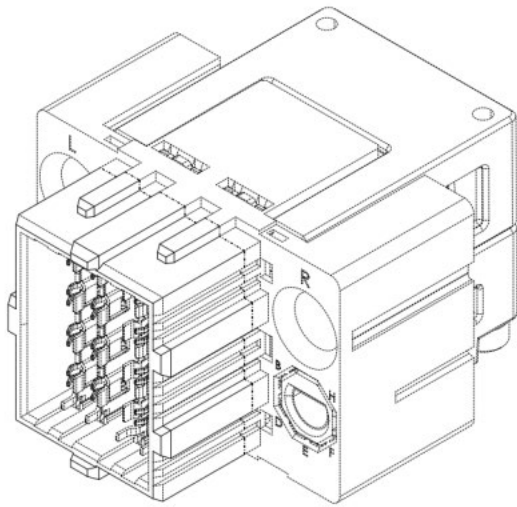
SAMTEC, INC.

520 Park East Boulevard,  
New Albany, Indiana 47150,  
UNITED STATES OF AMERICA

[74] CHINA SINDA INTELLECTUAL PROPERTY LIMITED

Unit 1703, 17/F, World-Wide House,

19 Des Voeux Road Central,  
HONG KONG



---

[11] 2524965.3M004

[15] 03-02-2025

[30] 05-08-2024 / US / 29/955,936

[51] Cl. 13-03

[54] 電連接器

Electrical connector

[73] 申泰公司

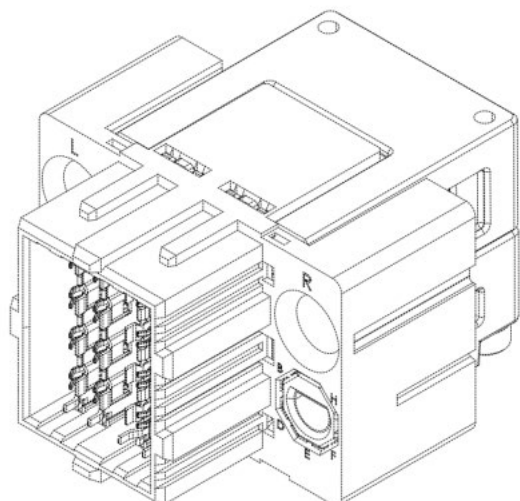
SAMTEC, INC.

520 Park East Boulevard,  
New Albany, Indiana 47150,  
UNITED STATES OF AMERICA

[74] CHINA SINDA INTELLECTUAL PROPERTY LIMITED

Unit 1703, 17/F, World-Wide House,  
19 Des Voeux Road Central,  
HONG KONG





---

[11] 2524965.3M005

[15] 03-02-2025

[30] 05-08-2024 / US / 29/955,936

[51] Cl. 13-03

[54] 電連接器

Electrical connector

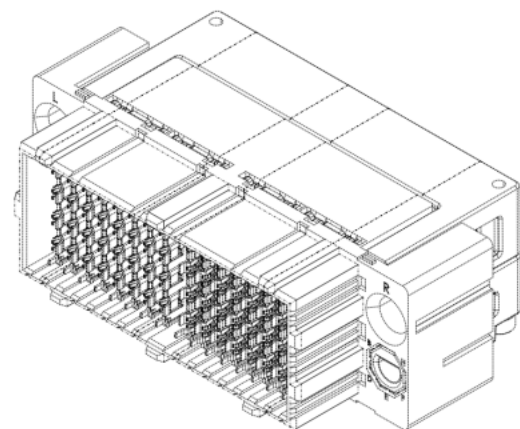
[73] 申泰公司

SAMTEC, INC.

520 Park East Boulevard,  
New Albany, Indiana 47150,  
UNITED STATES OF AMERICA

[74] CHINA SINDA INTELLECTUAL PROPERTY LIMITED

Unit 1703, 17/F, World-Wide House,  
19 Des Voeux Road Central,  
HONG KONG



---

[11] 2524965.3M006

[15] 03-02-2025

[30] 05-08-2024 / US / 29/955,936

[51] Cl. 13-03

[54] 電連接器

Electrical connector

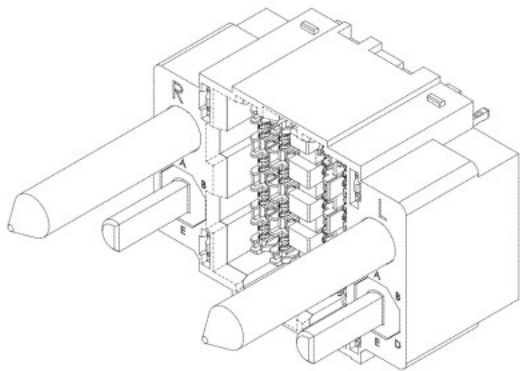
[73] 申泰公司

SAMTEC, INC.

520 Park East Boulevard,  
New Albany, Indiana 47150,  
UNITED STATES OF AMERICA

[74] CHINA SINDA INTELLECTUAL PROPERTY LIMITED

Unit 1703, 17/F, World-Wide House,  
19 Des Voeux Road Central,  
HONG KONG



---

[11] 2524965.3M007

[15] 03-02-2025

[30] 05-08-2024 / US / 29/955,936

[51] Cl. 13-03

[54] 電連接器

Electrical connector

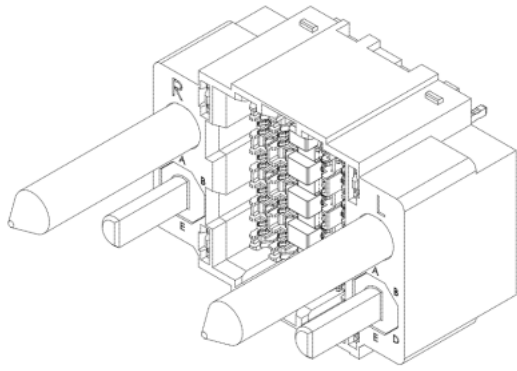
[73] 申泰公司

SAMTEC, INC.

520 Park East Boulevard,  
New Albany, Indiana 47150,  
UNITED STATES OF AMERICA

[74] CHINA SINDA INTELLECTUAL PROPERTY LIMITED

Unit 1703, 17/F, World-Wide House,  
19 Des Voeux Road Central,  
HONG KONG



---

[11] 2524965.3M008

[15] 03-02-2025

[30] 05-08-2024 / US / 29/955,936

[51] Cl. 13-03

[54] 電連接器

Electrical connector

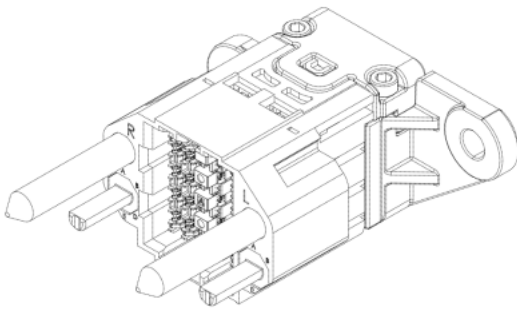
[73] 申泰公司

SAMTEC, INC.

520 Park East Boulevard,  
New Albany, Indiana 47150,  
UNITED STATES OF AMERICA

[74] CHINA SINDA INTELLECTUAL PROPERTY LIMITED

Unit 1703, 17/F, World-Wide House,  
19 Des Voeux Road Central,  
HONG KONG



---

[11] 2524965.3M009

[15] 03-02-2025

[30] 05-08-2024 / US / 29/955,936

[51] Cl. 13-03

[54] 電連接器

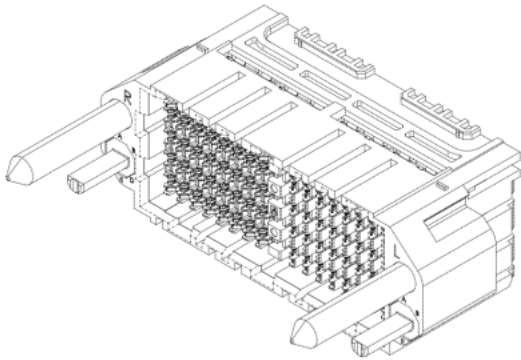
Electrical connector

[73] 申泰公司

SAMTEC , INC.  
520 Park East Boulevard,  
New Albany, Indiana 47150,  
UNITED STATES OF AMERICA

[74] CHINA SINDA INTELLECTUAL PROPERTY LIMITED

Unit 1703, 17/F, World-Wide House,  
19 Des Voeux Road Central,  
HONG KONG



---

[11] 2524965.3M010

[15] 03-02-2025

[30] 05-08-2024 / US / 29/955,936

[51] Cl. 13-03

[54] 電連接器

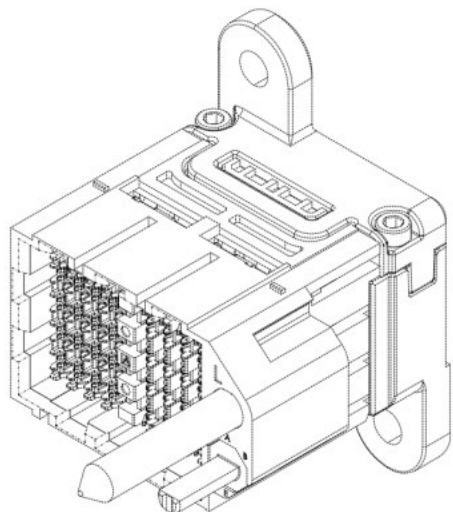
Electrical connector

[73] 申泰公司

SAMTEC , INC.  
520 Park East Boulevard,  
New Albany, Indiana 47150,  
UNITED STATES OF AMERICA

[74] CHINA SINDA INTELLECTUAL PROPERTY LIMITED

Unit 1703, 17/F, World-Wide House,  
19 Des Voeux Road Central,  
HONG KONG



[11] 2524965.3M011

[15] 03-02-2025

[30] 05-08-2024 / US / 29/955,936

[51] Cl. 13-03

[54] 電連接器

Electrical connector

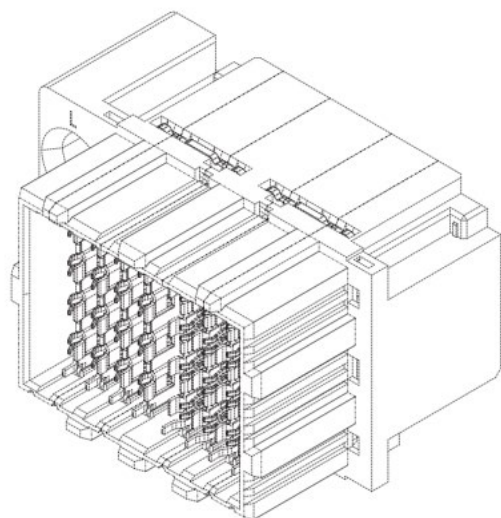
[73] 申泰公司

SAMTEC, INC.

520 Park East Boulevard,  
New Albany, Indiana 47150,  
UNITED STATES OF AMERICA

[74] CHINA SINDA INTELLECTUAL PROPERTY LIMITED

Unit 1703, 17/F, World-Wide House,  
19 Des Voeux Road Central,  
HONG KONG



[11] 2524965.3M012

[15] 03-02-2025

[30] 05-08-2024 / US / 29/955,936

[51] Cl. 13-03

[54] 電連接器

Electrical connector

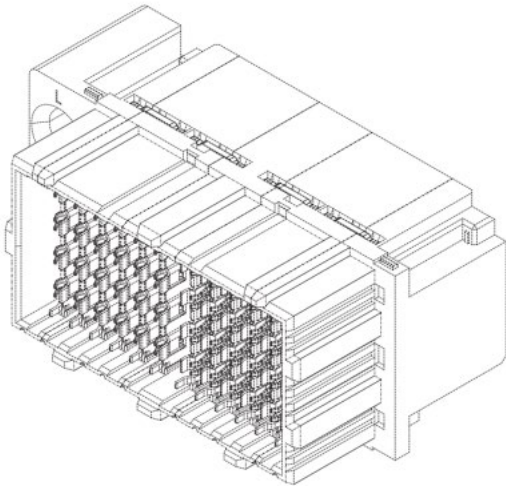
[73] 申泰公司

SAMTEC, INC.

520 Park East Boulevard,  
New Albany, Indiana 47150,  
UNITED STATES OF AMERICA

[74] CHINA SINDA INTELLECTUAL PROPERTY LIMITED

Unit 1703, 17/F, World-Wide House,  
19 Des Voeux Road Central,  
HONG KONG



---

[11] 2524965.3M013

[15] 03-02-2025

[30] 05-08-2024 / US / 29/955,936

[51] Cl. 13-03

[54] 電連接器

Electrical connector

[73] 申泰公司

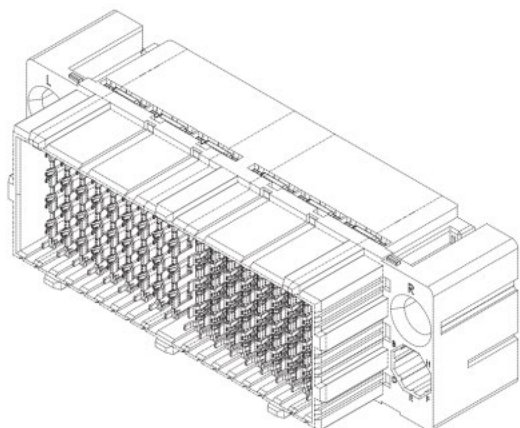
SAMTEC, INC.

520 Park East Boulevard,  
New Albany, Indiana 47150,  
UNITED STATES OF AMERICA

[74] CHINA SINDA INTELLECTUAL PROPERTY LIMITED

Unit 1703, 17/F, World-Wide House,

19 Des Voeux Road Central,  
HONG KONG



---

[11] 2524965.3M014

[15] 03-02-2025

[30] 05-08-2024 / US / 29/955,936

[51] Cl. 13-03

[54] 電連接器

Electrical connector

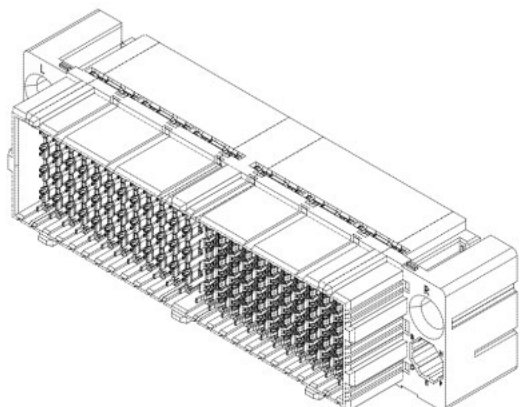
[73] 申泰公司

SAMTEC, INC.

520 Park East Boulevard,  
New Albany, Indiana 47150,  
UNITED STATES OF AMERICA

[74] CHINA SINDA INTELLECTUAL PROPERTY LIMITED

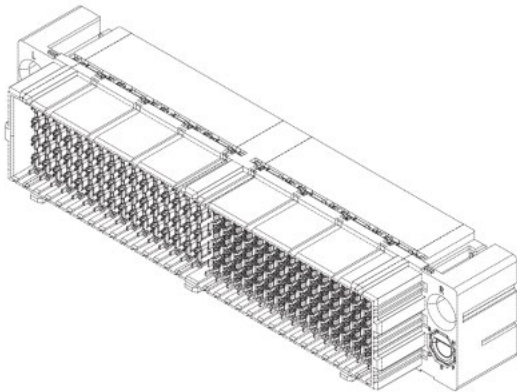
Unit 1703, 17/F, World-Wide House,  
19 Des Voeux Road Central,  
HONG KONG



---

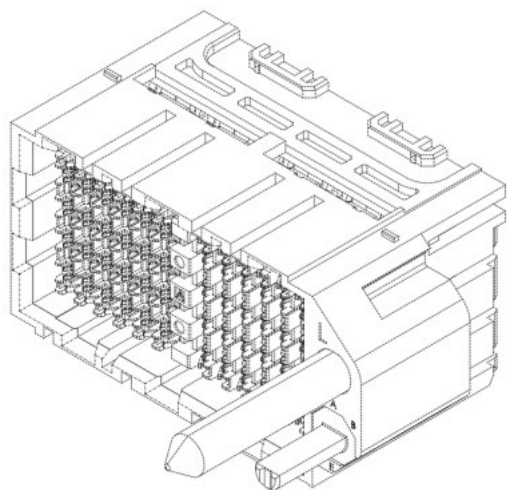
[11] 2524965.3M015

- [15] 03-02-2025
- [30] 05-08-2024 / US / 29/955,936
- [51] Cl. 13-03
- [54] 電連接器  
Electrical connector
- [73] 申泰公司  
SAMTEC , INC.  
520 Park East Boulevard,  
New Albany, Indiana 47150,  
UNITED STATES OF AMERICA
- [74] CHINA SINDA INTELLECTUAL PROPERTY LIMITED  
Unit 1703, 17/F, World-Wide House,  
19 Des Voeux Road Central,  
HONG KONG



- 
- [11] 2524965.3M016
  - [15] 03-02-2025
  - [30] 05-08-2024 / US / 29/955,936
  - [51] Cl. 13-03
  - [54] 電連接器  
Electrical connector
  - [73] 申泰公司  
SAMTEC , INC.  
520 Park East Boulevard,  
New Albany, Indiana 47150,  
UNITED STATES OF AMERICA
  - [74] CHINA SINDA INTELLECTUAL PROPERTY LIMITED  
Unit 1703, 17/F, World-Wide House,  
19 Des Voeux Road Central,  
HONG KONG





---

[11] 2524965.3M017

[15] 03-02-2025

[30] 05-08-2024 / US / 29/955,936

[51] Cl. 13-03

[54] 電連接器

Electrical connector

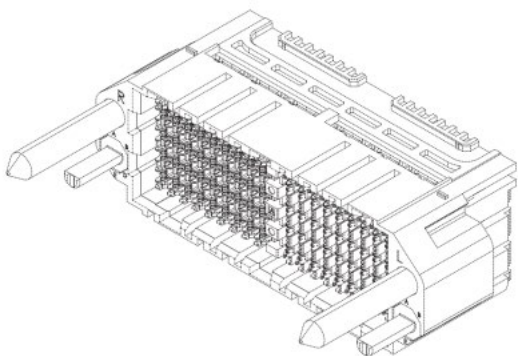
[73] 申泰公司

SAMTEC, INC.

520 Park East Boulevard,  
New Albany, Indiana 47150,  
UNITED STATES OF AMERICA

[74] CHINA SINDA INTELLECTUAL PROPERTY LIMITED

Unit 1703, 17/F, World-Wide House,  
19 Des Voeux Road Central,  
HONG KONG



---

[11] 2524965.3M018

[15] 03-02-2025

[30] 05-08-2024 / US / 29/955,936

[51] Cl. 13-03

[54] 電連接器

Electrical connector

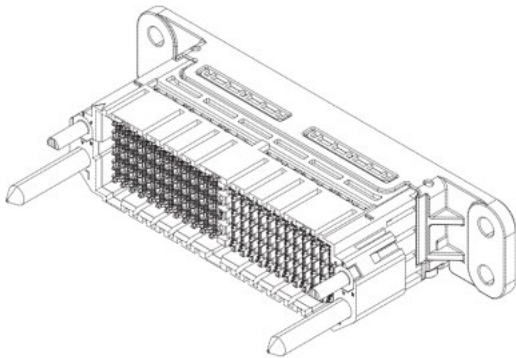
[73] 申泰公司

SAMTEC, INC.

520 Park East Boulevard,  
New Albany, Indiana 47150,  
UNITED STATES OF AMERICA

[74] CHINA SINDA INTELLECTUAL PROPERTY LIMITED

Unit 1703, 17/F, World-Wide House,  
19 Des Voeux Road Central,  
HONG KONG



---

[11] 2524965.3M019

[15] 03-02-2025

[30] 05-08-2024 / US / 29/955,936

[51] Cl. 13-03

[54] 電連接器

Electrical connector

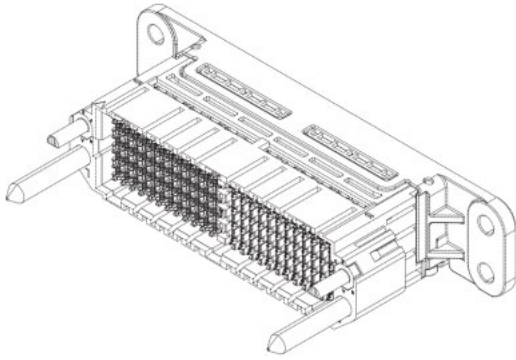
[73] 申泰公司

SAMTEC, INC.

520 Park East Boulevard,  
New Albany, Indiana 47150,  
UNITED STATES OF AMERICA

[74] CHINA SINDA INTELLECTUAL PROPERTY LIMITED

Unit 1703, 17/F, World-Wide House,  
19 Des Voeux Road Central,  
HONG KONG



---

[11] 2524965.3M020

[15] 03-02-2025

[30] 05-08-2024 / US / 29/955,936

[51] Cl. 13-03

[54] 電連接器

Electrical connector

[73] 申泰公司

SAMTEC, INC.

520 Park East Boulevard,  
New Albany, Indiana 47150,

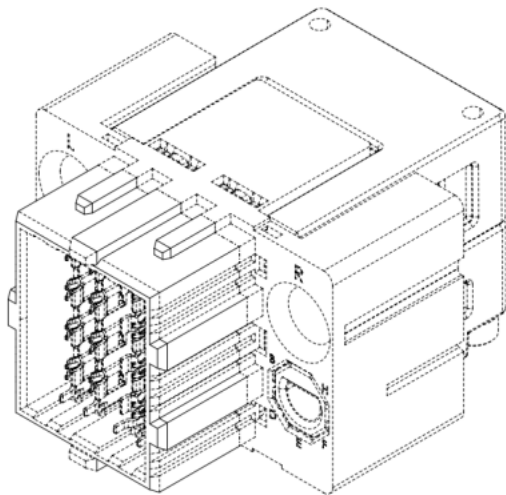
UNITED STATES OF AMERICA

[74] CHINA SINDA INTELLECTUAL PROPERTY LIMITED

Unit 1703, 17/F, World-Wide House,

19 Des Voeux Road Central,

HONG KONG



---

[11] 2524965.3M021

[15] 03-02-2025

[30] 05-08-2024 / US / 29/955,936

[51] Cl. 13-03

[54] 電連接器

Electrical connector

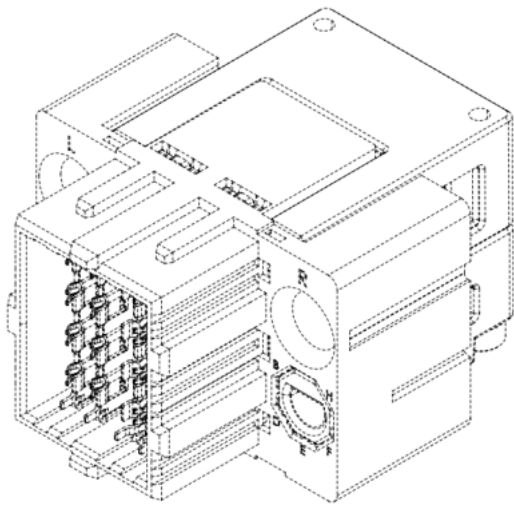
[73] 申泰公司

SAMTEC, INC.

520 Park East Boulevard,  
New Albany, Indiana 47150,  
UNITED STATES OF AMERICA

[74] CHINA SINDA INTELLECTUAL PROPERTY LIMITED

Unit 1703, 17/F, World-Wide House,  
19 Des Voeux Road Central,  
HONG KONG





香港特別行政區政府知識產權署外觀設計註冊處

The Government of the Hong Kong Special Administrative Region

Designs Registry, Intellectual Property Department

根據註冊外觀設計條例第 28 條，下列註冊外觀設計因未繳續期費而停止有效。

各組記項按註冊外觀設計停止有效日期及註冊編號先後次序排列。

**Registered designs ceased through non-payment of renewal fees under section 28 of the Registered Designs Ordinance. Entries are listed below under their expiry dates.**

**20-02-2025 - 26-02-2025**

<b>20-02-2025</b>	1500506.1	1500528.7M002
2015643.4	1500507.3	1500528.7M003
2015644.6	1500508.5	1500528.7M004
2015645.9M001	2015664.8M001	1500529.9M001
2015645.9M002	2015664.8M002	1500529.9M002
2015647.3	2015664.8M003	1500529.9M003
2015648.5	2015667.5	1500529.9M004
	2015668.7	2015669.9M001
<b>21-02-2025</b>		2015669.9M002
1000310.9	<b>26-02-2025</b>	2015669.9M003
	1500522.4M003	2015669.9M004
<b>22-02-2025</b>	1500523.6M001	2015669.9M005
0500358.3	1500523.6M002	2015671.3
	1500523.6M003	
<b>23-02-2025</b>	1500523.6M004	
1000321.2M001	1500523.6M005	
1000321.2M002	1500523.6M006	
1000321.2M003	1500523.6M007	
1000322.4M001	1500524.8M001	
1000322.4M002	1500524.8M002	
1500487.8M001	1500525.1M001	
1500487.8M002	1500525.1M002	
2015650.9M001	1500525.1M003	
2015650.9M002	1500525.1M004	
2015650.9M003	1500525.1M005	
	1500525.1M006	
<b>24-02-2025</b>	1500525.1M007	
0500378.5	1500526.3M001	
1000329.9	1500526.3M002	
2015575.0	1500527.5M001	
2015661.2	1500527.5M002	
	1500527.5M003	
<b>25-02-2025</b>	1500527.5M004	
1000341.4	1500528.7M001	



香港特別行政區政府知識產權署外觀設計註冊處

The Government of the Hong Kong Special Administrative Region

Designs Registry, Intellectual Property Department

根據註冊外觀設計規則第 31 條刪除的註冊外觀設計。各組記項按註冊外觀設計刪除日期及註冊編號先後次序排列。

**Registered designs removed under section 31 of the Registered Designs Rules. Entries are listed below under their removal dates.**

**28-02-2025 - 06-03-2025**

<b>28-02-2025</b>	1914521.2M008	1914536.4M003
1401567.9M003	1914521.2M009	
1401567.9M004	1914521.2M010	<b>06-03-2025</b>
1401567.9M005	1914522.4M004	1914537.6M002
1914505.9	1914523.6	1914538.8M001
	1914524.8	1914538.8M002
<b>01-03-2025</b>		1914538.8M003
1401575.6M003	<b>03-03-2025</b>	1914541.4
1401577.0M001	0411863.6	
1401577.0M002	0411864.8	
1401577.0M003	0411865.1	
1401577.0M004		
1401577.0M005	<b>04-03-2025</b>	
1401577.0M006	0901376.6	
1401577.0M007	0901377.8	
1401577.0M008	1401581.8M001	
1401577.0M009	1401581.8M002	
1401577.0M010	1401581.8M003	
1914508.5M001	1401581.8M004	
1914508.5M002	1401582.0M001	
1914509.7M001	1401582.0M002	
1914509.7M002	1401583.2	
1914510.9	1401585.7	
1914515.0	1401586.9	
	1401590.7M002	
<b>02-03-2025</b>		
1914516.2	<b>05-03-2025</b>	
1914518.6	0901381.6	
1914521.2M002	1401593.3	
1914521.2M003	1401594.5	
1914521.2M004	1914532.5M001	
1914521.2M005	1914532.5M002	
1914521.2M006	1914536.4M001	
1914521.2M007	1914536.4M002	



香港特別行政區政府知識產權署外觀設計註冊處  
The Government of the Hong Kong Special Administrative Region  
Designs Registry, Intellectual Property Department

## 根據註冊外觀設計條例第76條，更正已提交文件中的錯誤

### **Correction of errors in filed documents under section 76 of the Registered Designs Ordinance**

任何人士現可對下列更正錯誤的請求提出反對

Request for correction of errors now open to opposition

如任何人士意欲反對下列請求，則須在本官方公報刊登是項更正請求的日期起計的兩個月內，根據註冊外觀設計規則第62(4)條，採用指明外觀設計表格第D9號提交反對通知。如在限期內沒有收到任何反對通知，處長將依本公報刊登的更正請求的內容，准許是項更正請求。

If any person wishes to oppose the following request, he shall file a notice of opposition in specified Designs Form D9 within two months from the date of advertisement in this official journal under section 62(4) of the Registered Designs Rules. If no notice of opposition is received, the request for correction will be allowed by the Registrar in the present advertised form.

請求更正表述的錯誤

Request made for correction of errors in representations

[21] 2423345.6

[55] 外觀設計的表述

Representations of the Design



香港特別行政區政府知識產權署外觀設計註冊處  
The Government of the Hong Kong Special Administrative Region  
Designs Registry, Intellectual Property Department

## 根據註冊外觀設計條例第76條，更正已提交文件中的錯誤 Correction of errors in filed documents under section 76 of the Registered Designs Ordinance

任何人士現可對下列更正錯誤的請求提出反對

Request for correction of errors now open to opposition

如任何人士意欲反對下列請求，則須在本官方公報刊登是項更正請求的日期起計的兩個月內，根據註冊外觀設計規則第62(4)條，採用指明外觀設計表格第D9號提交反對通知。如在限期內沒有收到任何反對通知，處長將依本公報刊登的更正請求的內容，准許是項更正請求。

If any person wishes to oppose the following request, he shall file a notice of opposition in specified Designs Form D9 within two months from the date of advertisement in this official journal under section 62(4) of the Registered Designs Rules. If no notice of opposition is received, the request for correction will be allowed by the Registrar in the present advertised form.

請求更正表述的錯誤

Request made for correction of errors in representations

[21] 2423809.1

[55] 外觀設計的表述

Representations of the Design