

香港知識產權公報

Hong Kong Intellectual Property Journal

2024年6月21日

21 June 2024



目錄 Contents

根據註冊外觀設計條例第 25 條註冊的外觀設計

Designs Registered under section 25 of the Registered Designs Ordinance

按註冊編號排列

Arranged by Registration Number

根據註冊外觀設計條例(第 522 章)公布的其他公告

Other Notices Published under the Registered Designs Ordinance (Cap. 522)

根據註冊外觀設計條例第 28 條，註冊外觀設計因未繳續期費而停止有效

Registered designs ceased through non-payment of renewal fees under section 28 of the Registered Designs Ordinance

根據註冊外觀設計規則第 31 條刪除的註冊外觀設計

Registered designs removed under section 31 of the Registered Designs Rules

以下事項沒有記錄

No Records for the Following Matters

根據註冊外觀設計條例第 30 條放棄的外觀設計的註冊

Surrender of Registration of Design under section 30 of the Registered Designs Ordinance

根據註冊外觀設計規則第 37 條，向處長作出轉介

Reference to Registrar under section 37 of the Registered Designs Rules

根據註冊外觀設計條例第 45 條，撤銷註冊

Revocation of Registration under section 45 of the Registered Designs Ordinance

根據註冊外觀設計規則第 46 條，向法院作出轉介

Reference to Court under section 46 of the Registered Designs Rules

根據註冊外觀設計規則第 63 條對不符合規定之處作出糾正

Rectification of Irregularities under section 63 of the Registered Designs Rules

根據註冊外觀設計條例第 66 條，糾正註冊紀錄冊

Rectification of Register under section 66 of the Registered Designs Ordinance

根據註冊外觀設計條例第 67 條 更正註冊紀錄冊內的錯誤

Correction of errors in Register under section 67 of the Registered Designs Ordinance

根據註冊外觀設計條例第 67 及 76 條，更正註冊紀錄冊內及已提交文件中的錯誤

Correction of Errors in Register and in Filed Documents under sections 67 and 76 of the Registered Designs Ordinance

根據註冊外觀設計條例第 76 條，更正已提交文件中的錯誤

Correction of errors in filed documents under section 76 of the Registered Designs Ordinance

勘誤

Corrigendum

註冊外觀設計公告註釋

Notes on advertisements of registration of designs

方括號表示下列資料：

Square brackets indicate the following data：

[11] 註冊編號 Registration number / 聯合王國註冊編號 United Kingdom registration number

[15] 註冊日期 Registration date / 當作註冊日期 Deemed registration date / 聯合王國註冊日期 United Kingdom registration date

[17] 註冊有效期屆滿日期 Expiry date of the period of registration

[22] 提交日期 Filing date / 當作提交日期 Deemed filing date / 聯合王國提交日期 United Kingdom filing date

[30] 聲稱享有的優先權（提交日期 / 巴黎公約國或世界貿易組織成員 / 申請編號） Priority claimed (filing date / Paris Convention country or WTO member / application number)

[51] 國際外觀設計分類號（洛迦諾分類號） International Classification of designs (Locarno Classification)

[54] 物品 Article

[55] 外觀設計的表述 Representation of the design

[62] 分開前的申請編號及提交日期 Application number before division and filing date

[66] 過往註冊的聯繫外觀設計註冊編號 / 日期 Registration No. / Date of Previous Registration for Association

[72] 設計人 Designer

[73] 擁有人姓名和地址 Name and address of the owner

[74] 代理人 Agent /送達地址 Address for service



香港特別行政區政府知識產權署外觀設計註冊處
The Government of the Hong Kong Special Administrative Region
Designs Registry, Intellectual Property Department

根據註冊外觀設計條例第 25 條註冊的外觀設計

Designs registered under section 25 of the Registered Designs Ordinance

按註冊編號排列

Arranged by Registration Number

[11] 2322557.4

[15] 15-12-2023

[51] Cl. 13-02

[54] 多功能充電器

Multifunction charger

[73] 黃山

中國

廣東省東莞市石碣鎮

石碣星光路 30 號 2 號樓 301 室

[74] 旻貝國際知識產權代理有限公司

香港新界白石角

香港科學園第三期

科技大道西 12 號 2 樓 230 室



[11] 2322569.9

[15] 19-12-2023

[30] 25-07-2023 / JP / 015221 of 2023

[51] Cl. 23-04

[54] 芳香消臭劑用容器

Container for air freshener

[73] KOBAYASHI PHARMACEUTICAL CO., LTD.

4-4-10, Doshomachi, Chuo-ku,

Osaka, 541-0045,

Japan

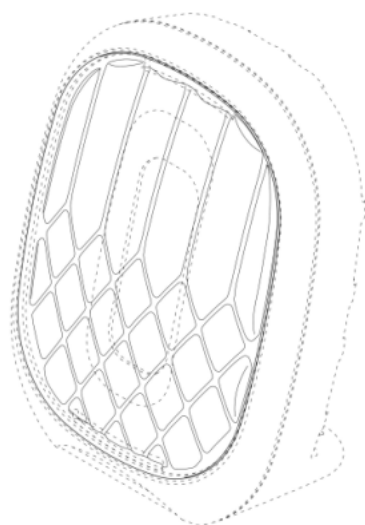
[74] HASTINGS & CO

1101, 11th Floor, Gloucester Tower,

The Landmark,

15 Queen's Road Central,

Hong Kong



[11] 2422693.2

[15] 17-01-2024

[30] 20-11-2023 / TW / 112305956

[51] Cl. 26-02

[54] 螢光棒

Light stick

[73] 相信音樂國際股份有限公司

B' IN MUSIC INTERNATIONAL LIMITED

2F., 6F., 7F., No. 12, Ln. 33, Guangfu S. Rd.,

Songshan Dist., Taipei City 10563,

Taiwan

[74] MARKS & CLERK

Level 9, Cyberport 1,

100 Cyberport Road,

Pok Fu Lam, Hong Kong



[11] 2422927.0

[15] 11-03-2024

[30] 11-09-2023 / US / 29/902,265

[51] Cl. 3-01

[54] 用於電子裝置的套

Case for an electronic device

[73] 蘋果公司

APPLE INC.

One Apple Park Way, Cupertino,

California,

United States of America

[74] CLT PATENT & TRADEMARK (H.K.) LIMITED

Unit 09, 34/F., Office Tower, Convention Plaza,

1 Harbour Road,

Wanchai, Hong Kong



[11] 2422929.4

[15] 11-03-2024

[51] Cl. 19-06

[54] 桌墊

Desk mat

[73] Design Pool Limited

33/F,

88 Hing Fat Street,

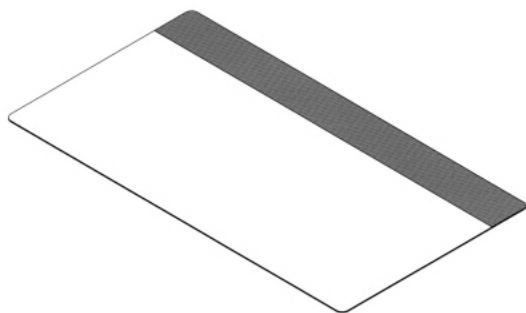
Hong Kong

[74] Design Pool Limited

33/F,

88 Hing Fat Street,

Hong Kong



[11] 2422930.6M001

[15] 11-03-2024

[30] 15-11-2023 / EU / 015041141-0001

[51] Cl. 12-16

[54] 汽車控制和信號顯示板

Control and indicator panel for vehicles

[73] Dr. Ing. h.c. F. Porsche Aktiengesellschaft

Porscheplatz 1,

70435 Stuttgart,

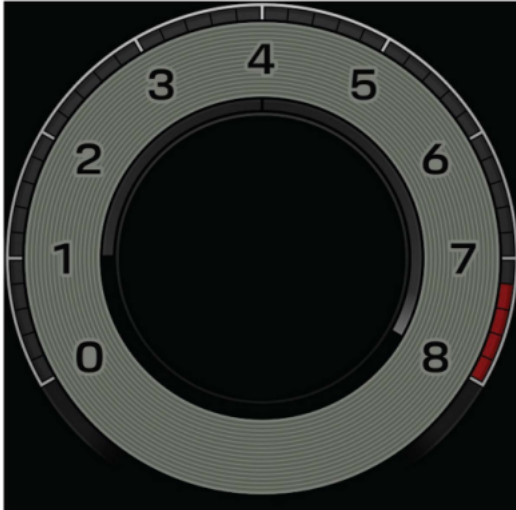
Germany

[74] WENPING PATENT & TRADE MARK AGENT LIMITED

1701 Tung Wai Commercial Building,

111 Gloucester Road,

Hong Kong



[11] 2422930.6M002

[15] 11-03-2024

[30] 15-11-2023 / EU / 015041141-0002

[51] Cl. 12-16

[54] 汽車控制和信號顯示板

Control and indicator panel for vehicles

[73] Dr. Ing. h.c. F. Porsche Aktiengesellschaft

Porscheplatz 1,
70435 Stuttgart,
Germany

[74] WENPING PATENT & TRADE MARK AGENT LIMITED

1701 Tung Wai Commercial Building,
111 Gloucester Road,
Hong Kong



- [11] 2422930.6M003
- [15] 11-03-2024
- [30] 15-11-2023 / EU / 015041141-0003
- [51] Cl. 12-16
- [54] 汽車控制和信號顯示板
Control and indicator panel for vehicles
- [73] Dr. Ing. h.c. F. Porsche Aktiengesellschaft
Porscheplatz 1,
70435 Stuttgart,
Germany
- [74] WENPING PATENT & TRADE MARK AGENT LIMITED
1701 Tung Wai Commercial Building,
111 Gloucester Road,
Hong Kong



-
- [11] 2422930.6M004
 - [15] 11-03-2024
 - [30] 15-11-2023 / EU / 015041141-0004
 - [51] Cl. 12-16
 - [54] 汽車控制和信號顯示板
Control and indicator panel for vehicles
 - [73] Dr. Ing. h.c. F. Porsche Aktiengesellschaft
Porscheplatz 1,
70435 Stuttgart,
Germany
 - [74] WENPING PATENT & TRADE MARK AGENT LIMITED
1701 Tung Wai Commercial Building,
111 Gloucester Road,
Hong Kong



[11] 2422930.6M005

[15] 11-03-2024

[30] 15-11-2023 / EU / 015041141-0005

[51] C1. 12-16

[54] 汽車控制和信號顯示板

Control and indicator panel for vehicles

[73] Dr. Ing. h.c. F. Porsche Aktiengesellschaft

Porscheplatz 1,
70435 Stuttgart,
Germany

[74] WENPING PATENT & TRADE MARK AGENT LIMITED

1701 Tung Wai Commercial Building,
111 Gloucester Road,
Hong Kong



- [11] 2422930.6M006
- [15] 11-03-2024
- [30] 15-11-2023 / EU / 015041141-0006
- [51] Cl. 12-16
- [54] 汽車控制和信號顯示板
Control and indicator panel for vehicles
- [73] Dr. Ing. h.c. F. Porsche Aktiengesellschaft
Porscheplatz 1,
70435 Stuttgart,
Germany
- [74] WENPING PATENT & TRADE MARK AGENT LIMITED
1701 Tung Wai Commercial Building,
111 Gloucester Road,
Hong Kong



-
- [11] 2422930.6M007
- [15] 11-03-2024
- [30] 15-11-2023 / EU / 015041141-0007
- [51] Cl. 12-16
- [54] 汽車控制和信號顯示板
Control and indicator panel for vehicles
- [73] Dr. Ing. h.c. F. Porsche Aktiengesellschaft
Porscheplatz 1,
70435 Stuttgart,
Germany
- [74] WENPING PATENT & TRADE MARK AGENT LIMITED
1701 Tung Wai Commercial Building,
111 Gloucester Road,
Hong Kong



[11] 2422930.6M008

[15] 11-03-2024

[30] 15-11-2023 / EU / 015041141-0008

[51] Cl. 12-16

[54] 汽車控制和信號顯示板

Control and indicator panel for vehicles

[73] Dr. Ing. h.c. F. Porsche Aktiengesellschaft

Porscheplatz 1,
70435 Stuttgart,
Germany

[74] WENPING PATENT & TRADE MARK AGENT LIMITED

1701 Tung Wai Commercial Building,
111 Gloucester Road,
Hong Kong



- [11] 2422930.6M009
- [15] 11-03-2024
- [30] 15-11-2023 / EU / 015041141-0009
- [51] Cl. 12-16
- [54] 汽車控制和信號顯示板
Control and indicator panel for vehicles
- [73] Dr. Ing. h.c. F. Porsche Aktiengesellschaft
Porscheplatz 1,
70435 Stuttgart,
Germany
- [74] WENPING PATENT & TRADE MARK AGENT LIMITED
1701 Tung Wai Commercial Building,
111 Gloucester Road,
Hong Kong



-
- [11] 2422930.6M010
- [15] 11-03-2024
- [30] 15-11-2023 / EU / 015041141-0010
- [51] Cl. 12-16
- [54] 汽車控制和信號顯示板
Control and indicator panel for vehicles
- [73] Dr. Ing. h.c. F. Porsche Aktiengesellschaft
Porscheplatz 1,
70435 Stuttgart,
Germany
- [74] WENPING PATENT & TRADE MARK AGENT LIMITED
1701 Tung Wai Commercial Building,
111 Gloucester Road,
Hong Kong



[11] 2422930.6M011

[15] 11-03-2024

[30] 15-11-2023 / EU / 015041141-0011

[51] Cl. 12-16

[54] 汽車控制和信號顯示板

Control and indicator panel for vehicles

[73] Dr. Ing. h.c. F. Porsche Aktiengesellschaft

Porscheplatz 1,
70435 Stuttgart,
Germany

[74] WENPING PATENT & TRADE MARK AGENT LIMITED

1701 Tung Wai Commercial Building,
111 Gloucester Road,
Hong Kong



- [11] 2422930.6M012
- [15] 11-03-2024
- [30] 15-11-2023 / EU / 015041141-0012
- [51] Cl. 12-16
- [54] 汽車控制和信號顯示板
Control and indicator panel for vehicles
- [73] Dr. Ing. h.c. F. Porsche Aktiengesellschaft
Porscheplatz 1,
70435 Stuttgart,
Germany
- [74] WENPING PATENT & TRADE MARK AGENT LIMITED
1701 Tung Wai Commercial Building,
111 Gloucester Road,
Hong Kong



-
- [11] 2422930.6M013
- [15] 11-03-2024
- [30] 15-11-2023 / EU / 015041141-0013
- [51] Cl. 12-16
- [54] 汽車控制和信號顯示板
Control and indicator panel for vehicles
- [73] Dr. Ing. h.c. F. Porsche Aktiengesellschaft
Porscheplatz 1,
70435 Stuttgart,
Germany
- [74] WENPING PATENT & TRADE MARK AGENT LIMITED
1701 Tung Wai Commercial Building,
111 Gloucester Road,
Hong Kong



[11] 2422930.6M014

[15] 11-03-2024

[30] 15-11-2023 / EU / 015041141-0014

[51] C1. 12-16

[54] 汽車控制和信號顯示板

Control and indicator panel for vehicles

[73] Dr. Ing. h.c. F. Porsche Aktiengesellschaft

Porscheplatz 1,
70435 Stuttgart,
Germany

[74] WENPING PATENT & TRADE MARK AGENT LIMITED

1701 Tung Wai Commercial Building,
111 Gloucester Road,
Hong Kong



- [11] 2422930.6M015
- [15] 11-03-2024
- [30] 15-11-2023 / EU / 015041141-0015
- [51] Cl. 12-16
- [54] 汽車控制和信號顯示板
Control and indicator panel for vehicles
- [73] Dr. Ing. h.c. F. Porsche Aktiengesellschaft
Porscheplatz 1,
70435 Stuttgart,
Germany
- [74] WENPING PATENT & TRADE MARK AGENT LIMITED
1701 Tung Wai Commercial Building,
111 Gloucester Road,
Hong Kong



-
- [11] 2422930.6M016
 - [15] 11-03-2024
 - [30] 15-11-2023 / EU / 015041141-0016
 - [51] Cl. 12-16
 - [54] 汽車控制和信號顯示板
Control and indicator panel for vehicles
 - [73] Dr. Ing. h.c. F. Porsche Aktiengesellschaft
Porscheplatz 1,
70435 Stuttgart,
Germany
 - [74] WENPING PATENT & TRADE MARK AGENT LIMITED
1701 Tung Wai Commercial Building,
111 Gloucester Road,
Hong Kong



[11] 2422930.6M017

[15] 11-03-2024

[30] 15-11-2023 / EU / 015041141-0017

[51] Cl. 12-16

[54] 汽車控制和信號顯示板

Control and indicator panel for vehicles

[73] Dr. Ing. h.c. F. Porsche Aktiengesellschaft

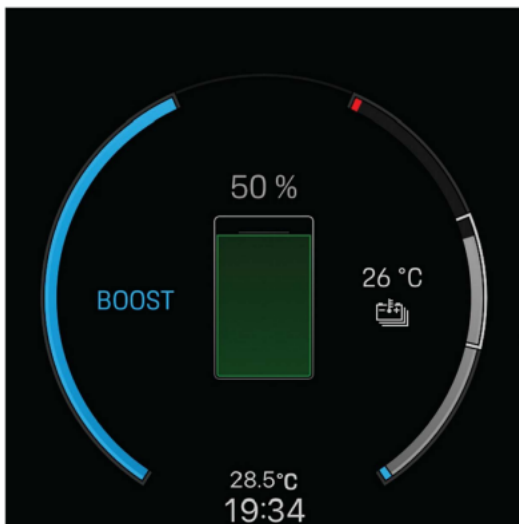
Porscheplatz 1,
70435 Stuttgart,
Germany

[74] WENPING PATENT & TRADE MARK AGENT LIMITED

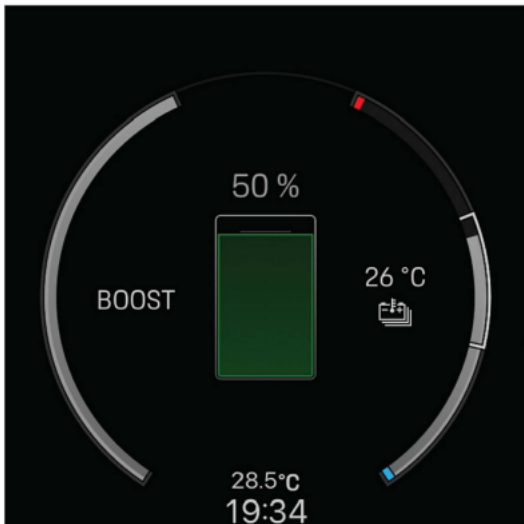
1701 Tung Wai Commercial Building,
111 Gloucester Road,
Hong Kong



- [11] 2422930.6M018
- [15] 11-03-2024
- [30] 15-11-2023 / EU / 015041141-0018
- [51] Cl. 12-16
- [54] 汽車控制和信號顯示板
Control and indicator panel for vehicles
- [73] Dr. Ing. h.c. F. Porsche Aktiengesellschaft
Porscheplatz 1,
70435 Stuttgart,
Germany
- [74] WENPING PATENT & TRADE MARK AGENT LIMITED
1701 Tung Wai Commercial Building,
111 Gloucester Road,
Hong Kong



-
- [11] 2422930.6M019
 - [15] 11-03-2024
 - [30] 15-11-2023 / EU / 015041141-0019
 - [51] Cl. 12-16
 - [54] 汽車控制和信號顯示板
Control and indicator panel for vehicles
 - [73] Dr. Ing. h.c. F. Porsche Aktiengesellschaft
Porscheplatz 1,
70435 Stuttgart,
Germany
 - [74] WENPING PATENT & TRADE MARK AGENT LIMITED
1701 Tung Wai Commercial Building,
111 Gloucester Road,
Hong Kong



[11] 2422930.6M020

[15] 11-03-2024

[30] 15-11-2023 / EU / 015041141-0020

[51] Cl. 12-16

[54] 汽車控制和信號顯示板

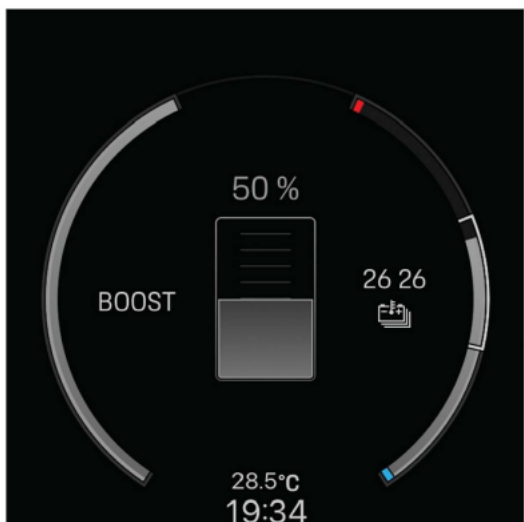
Control and indicator panel for vehicles

[73] Dr. Ing. h.c. F. Porsche Aktiengesellschaft

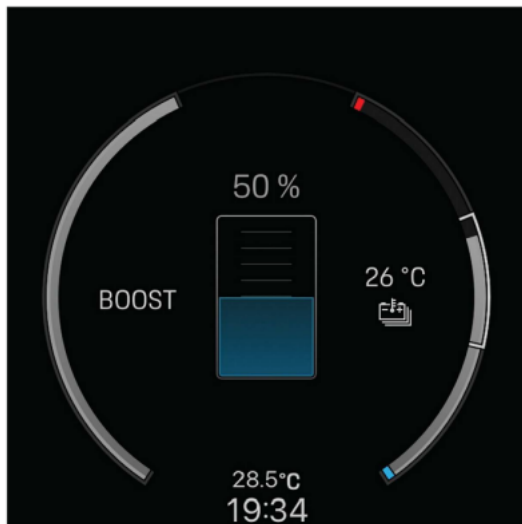
Porscheplatz 1,
70435 Stuttgart,
Germany

[74] WENPING PATENT & TRADE MARK AGENT LIMITED

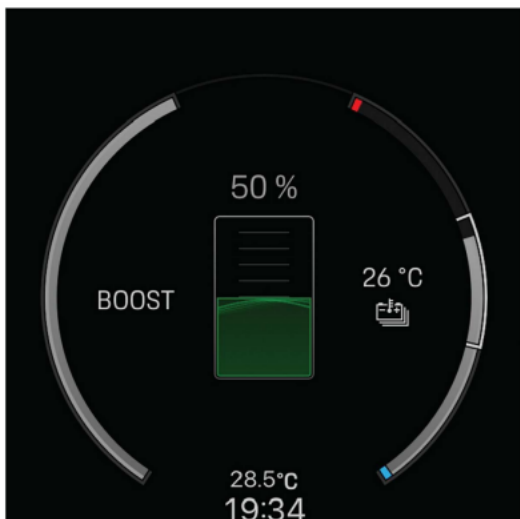
1701 Tung Wai Commercial Building,
111 Gloucester Road,
Hong Kong



- [11] 2422930.6M021
- [15] 11-03-2024
- [30] 15-11-2023 / EU / 015041141-0021
- [51] Cl. 12-16
- [54] 汽車控制和信號顯示板
Control and indicator panel for vehicles
- [73] Dr. Ing. h.c. F. Porsche Aktiengesellschaft
Porscheplatz 1,
70435 Stuttgart,
Germany
- [74] WENPING PATENT & TRADE MARK AGENT LIMITED
1701 Tung Wai Commercial Building,
111 Gloucester Road,
Hong Kong



-
- [11] 2422930.6M022
 - [15] 11-03-2024
 - [30] 15-11-2023 / EU / 015041141-0022
 - [51] Cl. 12-16
 - [54] 汽車控制和信號顯示板
Control and indicator panel for vehicles
 - [73] Dr. Ing. h.c. F. Porsche Aktiengesellschaft
Porscheplatz 1,
70435 Stuttgart,
Germany
 - [74] WENPING PATENT & TRADE MARK AGENT LIMITED
1701 Tung Wai Commercial Building,
111 Gloucester Road,
Hong Kong



[11] 2422930.6M023

[15] 11-03-2024

[30] 15-11-2023 / EU / 015041141-0023

[51] Cl. 12-16

[54] 汽車控制和信號顯示板

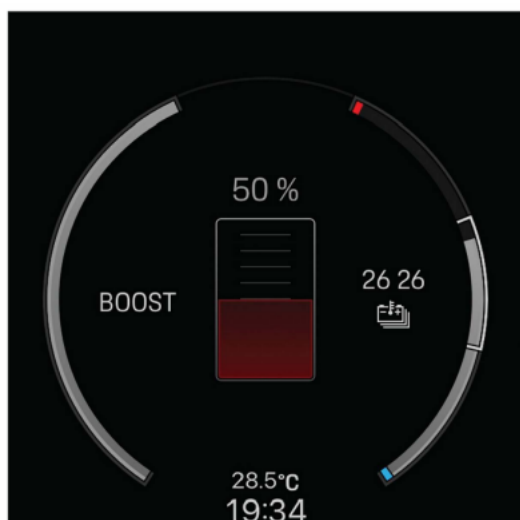
Control and indicator panel for vehicles

[73] Dr. Ing. h.c. F. Porsche Aktiengesellschaft

Porscheplatz 1,
70435 Stuttgart,
Germany

[74] WENPING PATENT & TRADE MARK AGENT LIMITED

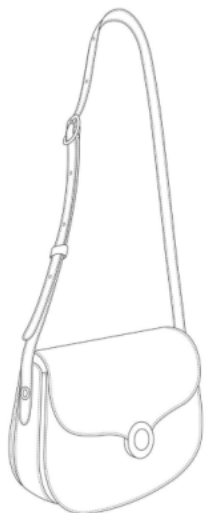
1701 Tung Wai Commercial Building,
111 Gloucester Road,
Hong Kong



- [11] 2422978.7M001
[15] 19-03-2024
[30] 19-09-2023 / EU / 015034572-0001
[51] Cl. 3-01
[54] 袋
Bag
[73] Loro Piana S.p.A.
Corso Rolandi, 10,
I-13017 Quarona (Vercelli),
Italy
[74] WILKINSON & GRIST
6th Floor, Prince's Building,
Chater Road,
Hong Kong



-
- [11] 2422978.7M002
[15] 19-03-2024
[30] 19-09-2023 / EU / 015034572-0003
[51] Cl. 3-01
[54] 袋
Bag
[73] Loro Piana S.p.A.
Corso Rolandi, 10,
I-13017 Quarona (Vercelli),
Italy
[74] WILKINSON & GRIST
6th Floor, Prince's Building,
Chater Road,
Hong Kong



[11] 2422978.7M003

[15] 19-03-2024

[30] 19-09-2023 / EU / 015034572-0005

[51] Cl. 3-01

[54] 袋

Bag

[73] Loro Piana S.p.A.

Corso Rolandi, 10,

I-13017 Quarona (Vercelli),

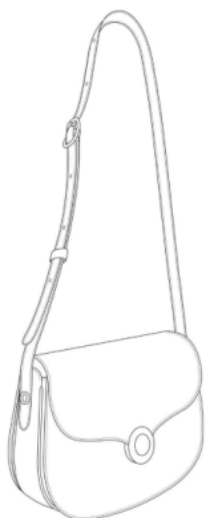
Italy

[74] WILKINSON & GRIST

6th Floor, Prince's Building,

Chater Road,

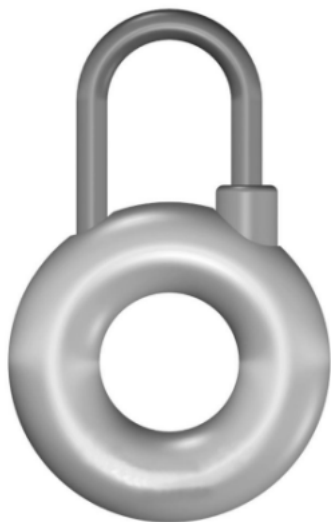
Hong Kong



- [11] 2422978.7M004
[15] 19-03-2024
[30] 19-09-2023 / EU / 015034572-0007
[51] Cl. 3-01
[54] 袋
Bag
[73] Loro Piana S.p.A.
Corso Rolandi, 10,
I-13017 Quarona (Vercelli),
Italy
[74] WILKINSON & GRIST
6th Floor, Prince's Building,
Chater Road,
Hong Kong



-
- [11] 2422979.9M001
[15] 19-03-2024
[30] 19-09-2023 / EU / 015034552-0001
[51] Cl. 11-01
[54] 小飾物
Charm
[73] Loro Piana S.p.A.
Corso Rolandi, 10,
I-13017 Quarona (Vercelli),
Italy
[74] WILKINSON & GRIST
6th Floor, Prince's Building,
Chater Road,
Hong Kong



[11] 2422979.9M002

[15] 19-03-2024

[30] 19-09-2023 / EU / 015034552-0002

[51] Cl. 11-01

[54] 小飾物

Charm

[73] Loro Piana S.p.A.

Corso Rolandi, 10,

I-13017 Quarona (Vercelli),

Italy

[74] WILKINSON & GRIST

6th Floor, Prince's Building,

Chater Road,

Hong Kong



- [11] 2422979.9M003
[15] 19-03-2024
[30] 19-09-2023 / EU / 015034552-0003
[51] Cl. 11-01
[54] 小飾物
Charm
[73] Loro Piana S.p.A.
Corso Rolandi, 10,
I-13017 Quarona (Vercelli),
Italy
[74] WILKINSON & GRIST
6th Floor, Prince's Building,
Chater Road,
Hong Kong



-
- [11] 2422979.9M004
[15] 19-03-2024
[30] 19-09-2023 / EU / 015034552-0004
[51] Cl. 11-01
[54] 小飾物
Charm
[73] Loro Piana S.p.A.
Corso Rolandi, 10,
I-13017 Quarona (Vercelli),
Italy
[74] WILKINSON & GRIST
6th Floor, Prince's Building,
Chater Road,
Hong Kong



[11] 2423018.3

[15] 22-03-2024

[51] Cl. 12-12

[54] 麥克納姆輪爬樓梯電動輪椅

Mecanum wheel stair climbing electric wheelchair

[73] 劉沛枝

Lau Pui Chi

1610,

2 Feng Shun St.,

Shatin, Hong Kong

王栋

Tom Lock

中國山东省

青州市谭坊镇状元村

530号

[74] Lau Pui Chi

1610,

2 Feng Shun St.,

Shatin, Hong Kong



[11] 2423108.4

[15] 10-04-2024

[30] 13-10-2023 / US / 29/914,166

[51] Cl. 21-01

[54] 獨立及多重遊戲的小型高爾夫球結構

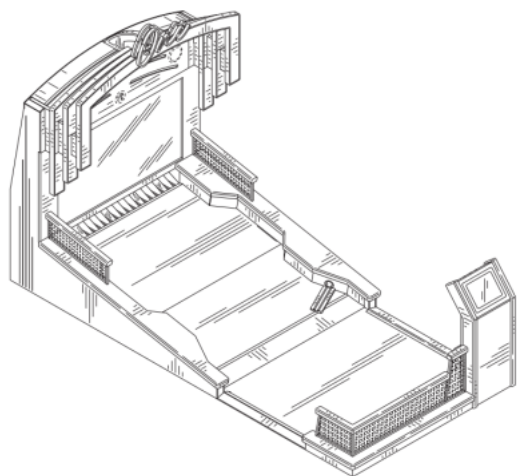
Standalone and multigame miniature golf structure

[73] Puttshack LTD

7 Savoy Court,
London, WC2R 0EX,
United Kingdom

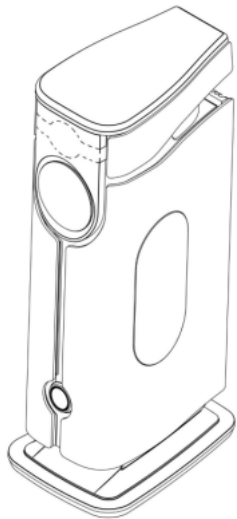
[74] WILKINSON & GRIST

6th Floor, Prince's Building,
Chater Road,
Hong Kong

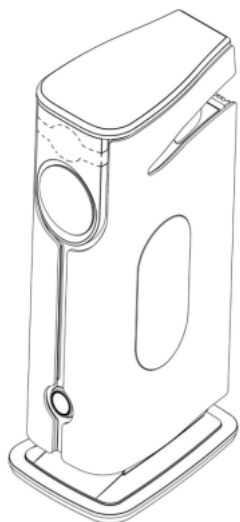


[11] 2423144.9M001

- [15] 16-04-2024
- [30] 26-10-2023 / CA, BR, RU, SG, GB, EU / DM/232930
- [51] Cl. 14-01
- [54] 揚聲器
Loudspeaker
- [73] FOCAL JMLab
108 Avenue de l'Avenir, ZI Molina La Chazotte,
42350 La Talaudière,
France
- [74] NTD PATENT & TRADE MARK AGENCY LIMITED
Units 1805-6, 18/F., Greenfield Tower,
Concordia Plaza, No. 1 Science Museum Road,
Tsimshatsui East, Kowloon,
Hong Kong



-
- [11] 2423144.9M002
- [15] 16-04-2024
- [30] 26-10-2023 / CA, BR, RU, SG, GB, EU / DM/232930
- [51] Cl. 14-01
- [54] 揚聲器
Loudspeaker
- [73] FOCAL JMLab
108 Avenue de l'Avenir, ZI Molina La Chazotte,
42350 La Talaudière,
France
- [74] NTD PATENT & TRADE MARK AGENCY LIMITED
Units 1805-6, 18/F., Greenfield Tower,
Concordia Plaza, No. 1 Science Museum Road,
Tsimshatsui East, Kowloon,
Hong Kong



[11] 2423144.9M003

[15] 16-04-2024

[30] 26-10-2023 / CA, BR, RU, SG, GB, EU / DM/232930

[51] Cl. 14-01

[54] 揚聲器部件

Part of loudspeaker

[73] FOCAL JMLab

108 Avenue de l'Avenir, ZI Molina La Chazotte,

42350 La Talaudière,

France

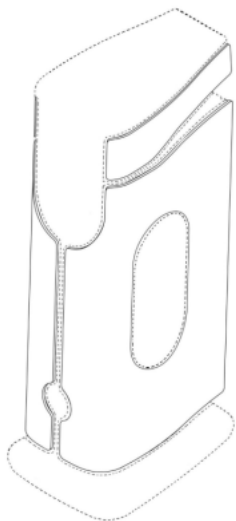
[74] NTD PATENT & TRADE MARK AGENCY LIMITED

Units 1805-6, 18/F., Greenfield Tower,

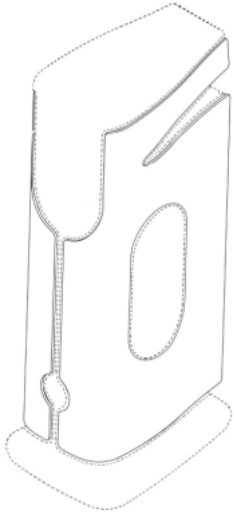
Concordia Plaza, No. 1 Science Museum Road,

Tsimshatsui East, Kowloon,

Hong Kong



- [11] 2423144.9M004
[15] 16-04-2024
[30] 26-10-2023 / CA, BR, RU, SG, GB, EU / DM/232930
[51] Cl. 14-01
[54] 揚聲器部件
Part of loudspeaker
[73] FOCAL JMLab
108 Avenue de l'Avenir, ZI Molina La Chazotte,
42350 La Talaudière,
France
[74] NTD PATENT & TRADE MARK AGENCY LIMITED
Units 1805-6, 18/F., Greenfield Tower,
Concordia Plaza, No. 1 Science Museum Road,
Tsimshatsui East, Kowloon,
Hong Kong



-
- [11] 2423165.4
[15] 18-04-2024
[51] Cl. 20-01
[54] 自助取籌服務站
Self-service tag issuing kiosk
[73] 香港特別行政區政府
The Government of the Hong Kong Special Administrative Region
香港
灣仔告士打道 7 號
入境事務大樓
[74] CIO (SS) AE
香港

灣仔告士打道 7 號

入境事務大樓，11 樓，1103 室



[11] 2423228.8

[15] 26-04-2024

[30] 01-03-2024 / CN / 2024301051753

[51] Cl. 2-04

[54] 鞋子
Shoe

[73] 深圳斯达领科网络科技有限公司
SHENZHEN STARLINK NETWORK TECHNOLOGY CO., LTD
中國
深圳市前海深港合作区前湾一路 1 号
A 栋 201 室 (入驻深圳市前海商务秘书有限公司)

[74] 普潤知識產權 (香港) 有限公司
香港
銅鑼灣怡和街 28 號
恒生銅鑼灣大廈 12 樓 B 室



[11] 2423275.7M001

[15] 07-05-2024

[51] Cl. 23-03

[54] 加濕暖爐

Heater with humidifier

[73] 領明實業有限公司

香港

屯門杯渡路 76 號

屯門工業中心 E 座一字樓二號室

[74] 領明實業有限公司

香港

屯門杯渡路 76 號

屯門工業中心 E 座一字樓二號室



[11] 2423275.7M002

[15] 07-05-2024

[51] Cl. 23-03

[54] 加濕暖爐

Heater with humidifier

[73] 領明實業有限公司

香港

屯門杯渡路 76 號

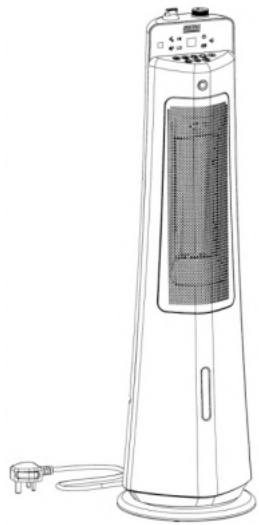
屯門工業中心 E 座一字樓二號室

[74] 領明實業有限公司

香港

屯門杯渡路 76 號

屯門工業中心 E 座一字樓二號室



[11] 2423310.2

[15] 14-05-2024

[51] Cl. 21-01

[54] 模型飛機

Model airplane

[73] 美科思空間技術有限公司

Mecos Space Technology Co., Limited

香港

觀塘區開源道 45 號

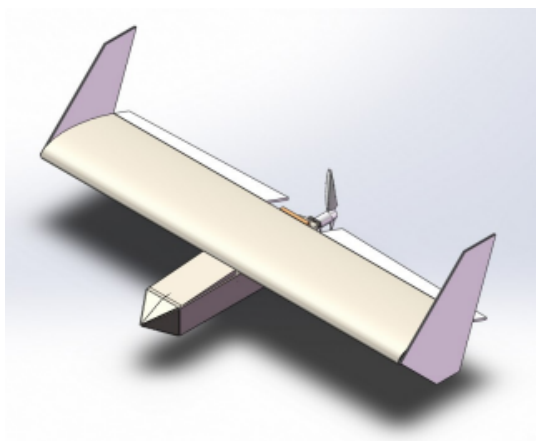
有利中心 4 樓 G9 室

[74] 衛好知識產權有限公司

香港

荔枝角青山道 688 號

嘉名工廠大廈 E 座 9 樓 906 室

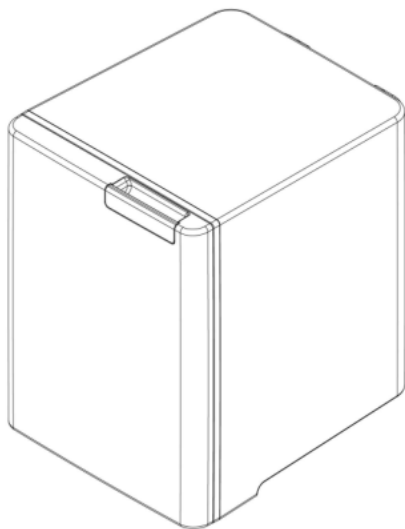


- [11] 2423341.7M001
[15] 20-05-2024
[30] 20-11-2023 / CN / 2023307574064
[51] Cl. 24-01
[54] 消毒器
Sterilizer
[73] 台灣康貝股份有限公司
Combi (Taiwan) Co., Ltd.
台灣
台北市
內湖路一段 360 巷 6 號 6 樓
[74] 萬慧達(亞太)諮詢有限公司
香港
灣仔港灣道 18 號
中環廣場 1903 室



-
- [11] 2423341.7M002
[15] 20-05-2024
[30] 20-11-2023 / CN / 2023307574064
[51] Cl. 24-01
[54] 消毒器
Sterilizer
[73] 台灣康貝股份有限公司
Combi (Taiwan) Co., Ltd.
台灣
台北市
內湖路一段 360 巷 6 號 6 樓

- [74] 萬慧達(亞太)諮詢有限公司
香港
灣仔港灣道 18 號
中環廣場 1903 室



-
- [11] 2423354.4
[15] 21-05-2024
[30] 07-12-2023 / CH, TR, GB, EU / DM/233770
[51] Cl. 10-02
[54] 手錶
Wristwatch
[73] SWATCH AG (SWATCH SA) (SWATCH LTD.)
Nicolas G. Hayek Strasse 1,
2502 Biel/Bienne,
Switzerland
[74] SPRUSON & FERGUSON (HONG KONG) LIMITED
5001 Hopewell Centre,
183 Queen's Road East, Wan Chai,
Hong Kong



-
- [11] 2423355.7

- [15] 21-05-2024
[30] 07-12-2023 / CH, TR, GB, EU / DM/233772
[51] Cl. 10-02
[54] 手錶
Wristwatch
[73] SWATCH AG (SWATCH SA) (SWATCH LTD.)
Nicolas G. Hayek Strasse 1,
2502 Biel/Bienne,
Switzerland
[74] SPRUSON & FERGUSON (HONG KONG) LIMITED
5001 Hopewell Centre,
183 Queen's Road East, Wan Chai,
Hong Kong



-
- [11] 2423356.9
[15] 21-05-2024
[30] 07-12-2023 / CH, TR, GB, EU / DM/233773
[51] Cl. 10-02
[54] 手錶
Wristwatch
[73] SWATCH AG (SWATCH SA) (SWATCH LTD.)
Nicolas G. Hayek Strasse 1,
2502 Biel/Bienne,
Switzerland
[74] SPRUSON & FERGUSON (HONG KONG) LIMITED
5001 Hopewell Centre,
183 Queen's Road East, Wan Chai,
Hong Kong



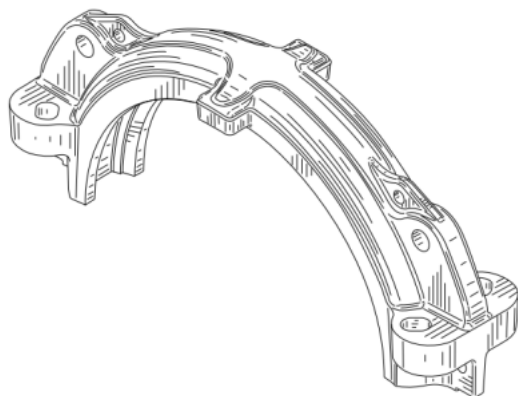
- [11] 2423357.1
[15] 22-05-2024
[51] Cl. 7-02
[54] 托盤
Tray
[73] 惠州市冠展实业有限公司
中國
广东省惠州仲恺高新区
惠环街道西坑工业区 38 号 1、2 号厂房
[74] 卓遠知識產權有限公司
香港
上環禧利街 27 號
富輝商業中心 10 樓



-
- [11] 2423359.5
[15] 22-05-2024
[51] Cl. 14-04
[54] 電子設備的快捷交易圖形用戶界面
Graphical user interface for quick trade of electronic device
[73] 深圳市富途網絡科技有限公司
中國
廣東省深圳市南山區粵海街道科技園社區
科苑路 15 號科興科學園 D1 棟 25 層，518000
[74] 港智國際知識產權代理有限公司
香港
屯門震寰路 3 號
德榮工業大廈 21 字樓 B11 室



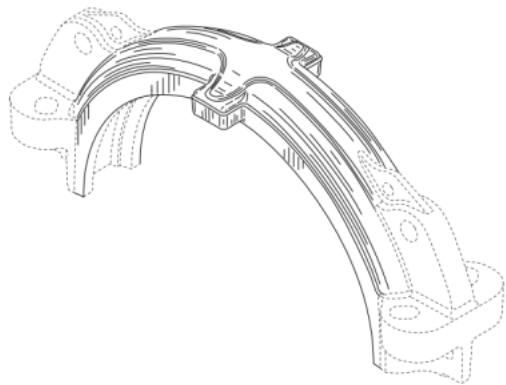
- [11] 2423360.7M001
- [15] 22-05-2024
- [30] 22-11-2023 / US / 29/917,812
- [51] Cl. 23-01
- [54] 管道連接件
Pipe coupling segment
- [73] Victaulic Company
4901 Kesslersville Road,
Easton, Pennsylvania 18040,
United States of America
- [74] CHINA PATENT AGENT (HONG KONG) LIMITED
22/F, Great Eagle Centre, 23 Harbour Road,
Wanchai,
Hong Kong



- [11] 2423360.7M002
- [15] 22-05-2024
- [30] 22-11-2023 / US / 29/917,812
- [51] Cl. 23-01
- [54] 管道連接件
Pipe coupling segment

[73] Victaulic Company
4901 Kesslersville Road,
Easton, Pennsylvania 18040,
United States of America

[74] CHINA PATENT AGENT (HONG KONG) LIMITED
22/F, Great Eagle Centre, 23 Harbour Road,
Wanchai,
Hong Kong



[11] 2423361.9M001

[15] 22-05-2024

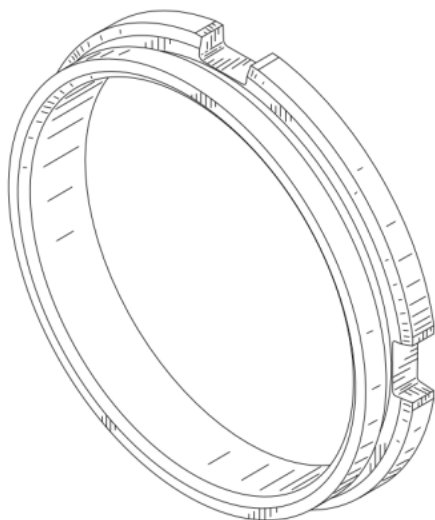
[30] 22-11-2023 / US / 29/917,822

[51] Cl. 23-01

[54] 管道轉接頭
Pipe adapter

[73] Victaulic Company
4901 Kesslersville Road,
Easton, Pennsylvania 18040,
United States of America

[74] CHINA PATENT AGENT (HONG KONG) LIMITED
22/F, Great Eagle Centre, 23 Harbour Road,
Wanchai,
Hong Kong



[11] 2423361.9M002

[15] 22-05-2024

[30] 22-11-2023 / US / 29/917,822

[51] Cl. 23-01

[54] 管道轉接頭

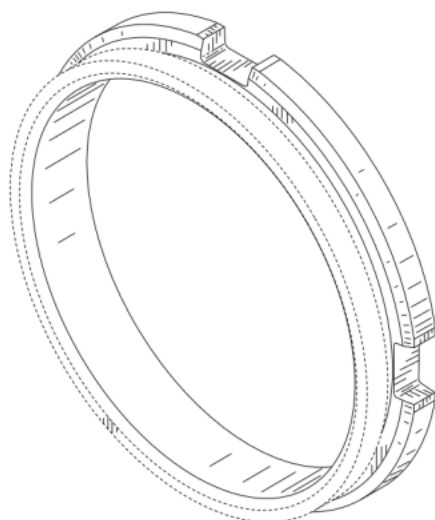
Pipe adapter

[73] Victaulic Company

4901 Kesslersville Road,
Easton, Pennsylvania 18040,
United States of America

[74] CHINA PATENT AGENT (HONG KONG) LIMITED

22/F, Great Eagle Centre, 23 Harbour Road,
Wanchai,
Hong Kong





香港特別行政區政府知識產權署外觀設計註冊處
The Government of the Hong Kong Special Administrative Region
Designs Registry, Intellectual Property Department

根據註冊外觀設計條例第 28 條，下列註冊外觀設計因未繳續期費而停止有效。

各組記項按註冊外觀設計停止有效日期及註冊編號先後次序排列。

Registered designs ceased through non-payment of renewal fees under section 28 of the Registered Designs Ordinance. Entries are listed below under their expiry dates.

23-05-2024 - 29-05-2024

23-05-2024	1400986.6	0900881.6M001
1913719.1	1400987.8	0900881.6M003
1913720.3	1400989.2	1401011.0M001
1913721.5	1400998.1M001	1401011.0M002
1913722.7	1913736.7	1913769.6
1913723.9	1913737.9	1913770.8
1913724.1	1913738.1	1913772.2
1913725.4	1913739.3	2015659.8
1913727.8	1913740.5	

29-05-2024

24-05-2024	1913742.9	1401016.1
0411167.0	1913743.1	1401020.9
	1913744.3	1401022.3
26-05-2024	1913745.6	1913773.4
0900858.8	1913748.2M002	1913774.6
0900863.8	1913748.2M003	1913775.9M004
0900864.0	1913748.2M004	1913775.9M008
0900865.3	1913748.2M005	1913777.3
0900866.5M001	1913748.2M006	1913780.9
0900866.5M002	1913749.4M001	
0900867.7M001	1913749.4M002	
0900867.7M002	1913749.4M003	
0900875.4M001	1913749.4M004	
0900875.4M002	1913749.4M005	
0900875.4M003	1913749.4M006	
1400982.7	1913749.4M007	
1400983.9	1913752.0	
1913733.0	1913753.2M001	
1913734.2	1913753.2M002	
1913735.5M001	1913756.9	
1913735.5M002	1913759.5	
	1913762.1	

27-05-2024

0411184.5

28-05-2024



香港特別行政區政府知識產權署外觀設計註冊處

The Government of the Hong Kong Special Administrative Region

Designs Registry, Intellectual Property Department

根據註冊外觀設計規則第 31 條刪除的註冊外觀設計。各組記項按註冊外觀設計刪除日期及註冊編號先後次序排列。

Registered designs removed under section 31 of the Registered Designs Rules. Entries are listed below under their removal dates.

31-05-2024 - 06-06-2024

31-05-2024	1302121.3	1802364.2M001
0802790.4	1802329.9	1802364.2M002
0802791.6	1802330.1	1802366.7
0802793.0M001	1802331.3M001	1802367.9
0802793.0M002	1802331.3M002	1802371.7
0802793.0M003	1802332.5M001	1802372.9
	1802332.5M002	
01-06-2024	1802336.4	
1302087.0M002	1802337.6	
	1802338.8M001	
02-06-2024	1802338.8M002	
1302094.4	1802338.8M003	
1802301.0	1802338.8M004	
1802302.2	1802338.8M005	
1802303.4	1802338.8M006	
1802304.6	1802338.8M007	
1802305.9M004	1802338.8M008	
1802306.1	1802338.8M009	
1802315.0	1802338.8M010	
1802316.2	1802348.9	
	1802351.5	
03-06-2024	1802352.7	
0312047.6M001		
1302099.5M001	05-06-2024	
1302100.9	1302127.6	
1302103.5M001	1802353.9	
1302106.2M001	1802354.1M001	
1302106.2M002	1802354.1M002	
1302106.2M003	1802355.4	
1302106.2M004	1802356.6	
1802321.2		
	06-06-2024	
04-06-2024	1802362.8	
1302109.8	1802363.0	