

香港知識產權公報

Hong Kong Intellectual Property Journal

2024年5月24日

24 May 2024



目錄 Contents

根據註冊外觀設計條例第 25 條註冊的外觀設計

Designs Registered under section 25 of the Registered Designs Ordinance

按註冊編號排列

Arranged by Registration Number

根據註冊外觀設計條例(第 522 章)公布的其他公告

Other Notices Published under the Registered Designs Ordinance (Cap. 522)

根據註冊外觀設計條例第 28 條，註冊外觀設計因未繳續期費而停止有效

Registered designs ceased through non-payment of renewal fees under section 28 of the Registered Designs Ordinance

根據註冊外觀設計規則第 31 條刪除的註冊外觀設計

Registered designs removed under section 31 of the Registered Designs Rules

以下事項沒有記錄

No Records for the Following Matters

根據註冊外觀設計條例第 30 條放棄的外觀設計的註冊

Surrender of Registration of Design under section 30 of the Registered Designs Ordinance

根據註冊外觀設計規則第 37 條，向處長作出轉介

Reference to Registrar under section 37 of the Registered Designs Rules

根據註冊外觀設計條例第 45 條，撤銷註冊

Revocation of Registration under section 45 of the Registered Designs Ordinance

根據註冊外觀設計規則第 46 條，向法院作出轉介

Reference to Court under section 46 of the Registered Designs Rules

根據註冊外觀設計規則第 63 條對不符合規定之處作出糾正

Rectification of Irregularities under section 63 of the Registered Designs Rules

根據註冊外觀設計條例第 66 條，糾正註冊紀錄冊

Rectification of Register under section 66 of the Registered Designs Ordinance

根據註冊外觀設計條例第 67 條 更正註冊紀錄冊內的錯誤

Correction of errors in Register under section 67 of the Registered Designs Ordinance

根據註冊外觀設計條例第 67 及 76 條，更正註冊紀錄冊內及已提交文件中的錯誤

Correction of Errors in Register and in Filed Documents under sections 67 and 76 of the Registered Designs Ordinance

根據註冊外觀設計條例第 76 條，更正已提交文件中的錯誤

Correction of errors in filed documents under section 76 of the Registered Designs Ordinance

勘誤

Corrigendum

註冊外觀設計公告註釋

Notes on advertisements of registration of designs

方括號表示下列資料：

Square brackets indicate the following data：

[11] 註冊編號 Registration number / 聯合王國註冊編號 United Kingdom registration number

[15] 註冊日期 Registration date / 當作註冊日期 Deemed registration date / 聯合王國註冊日期 United Kingdom registration date

[17] 註冊有效期屆滿日期 Expiry date of the period of registration

[22] 提交日期 Filing date / 當作提交日期 Deemed filing date / 聯合王國提交日期 United Kingdom filing date

[30] 聲稱享有的優先權（提交日期 / 巴黎公約國或世界貿易組織成員 / 申請編號） Priority claimed (filing date / Paris Convention country or WTO member / application number)

[51] 國際外觀設計分類號（洛迦諾分類號） International Classification of designs (Locarno Classification)

[54] 物品 Article

[55] 外觀設計的表述 Representation of the design

[62] 分開前的申請編號及提交日期 Application number before division and filing date

[66] 過往註冊的聯繫外觀設計註冊編號 / 日期 Registration No. / Date of Previous Registration for Association

[72] 設計人 Designer

[73] 擁有人姓名和地址 Name and address of the owner

[74] 代理人 Agent /送達地址 Address for service



香港特別行政區政府知識產權署外觀設計註冊處
The Government of the Hong Kong Special Administrative Region
Designs Registry, Intellectual Property Department

根據註冊外觀設計條例第 25 條註冊的外觀設計

Designs registered under section 25 of the Registered Designs Ordinance

按註冊編號排列

Arranged by Registration Number

[11] 2322207.2

[15] 11-10-2023

[51] Cl. 24-01

[54] 醫療儀器及設備

Medical apparatus and equipment

[73] 新元科技(亞洲)有限公司

New Age Technology (Asia) Limited

香港新界荃灣

海盛路 3 號

TML 廣場 32 樓 A1-A5 室

[74] 弘研知識產權有限公司

香港荃灣

海盛路 3 號

TML 大廈 16 樓 A5 室



[11] 2322520.6

[15] 07-12-2023

[51] Cl. 13-03

[54] 彈簧式電子連接器

Pogo pin electrical connector

[73] 香港特別行政區政府 (香港海關)

The Government of the Hong Kong Special Administrative Region
(Hong Kong Customs and Excise Department)

3/F, Customs Canine Force Headquarters,

16.5 miles Castle Peak Road,

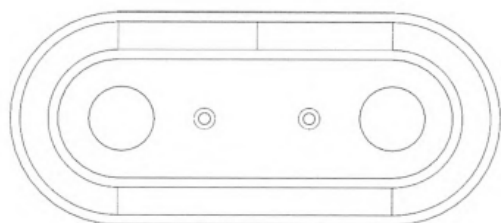
Tai Lam, New Territories, Hong Kong

[74] 朱綽帆

香港

香港島東區天后

金龍臺 5 號金龍閣 22 樓 B 室



[11] 2322577.6

[15] 20-12-2023

[51] Cl. 2-04

[54] 鞋底

Sole for footwear

[73] LOUIS VUITTON MALLETIER

2 rue du Pont-Neuf,

75001 Paris,

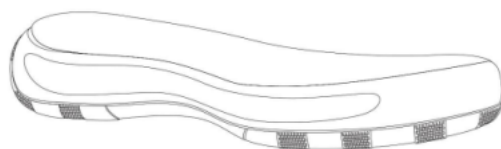
France

[74] BAKER & MCKENZIE

14th Floor, One Taikoo Place,

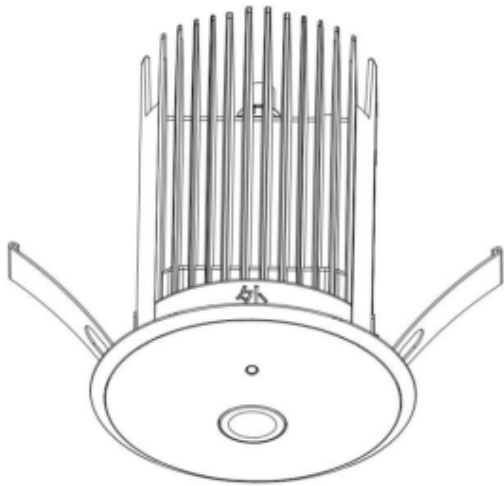
979 King's Road,

Quarry Bay, Hong Kong



[11] 2422625.0

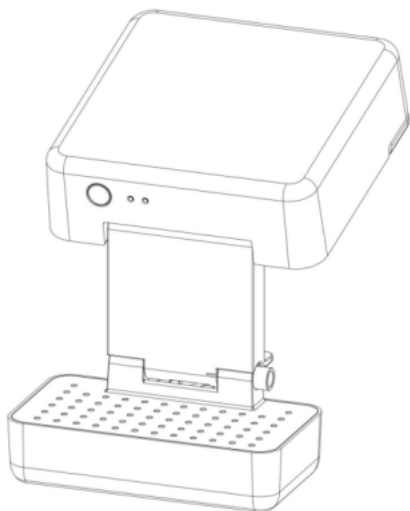
- [15] 08-01-2024
- [30] 07-10-2023 / CN / 2023306458649
- [51] Cl. 16-01
- [54] 智能客流分析攝像機
Intelligent passenger flow analysis camera
- [73] 匯納科技股份有限公司
Winner Technology Co., Inc.
中國
中國(上海)自由貿易試驗區
川和路 55 弄 6 號
- [74] 江炳滔律師事務所
香港灣仔
告士打道 160 號
海外信託銀行大廈 19 樓 B 室



-
- [11] 2422722.5
- [15] 23-01-2024
- [30] 25-07-2023 / CN / 202330468853.8
- [51] Cl. 14-02
- [54] 導購設備
Equipment for shopping guides
- [73] 盒馬(中國)有限公司
Hema (China) Co., Ltd.
中國上海市
浦東新區中國(上海)自由貿易試驗區
浦東大道 1200 號巨洋大廈 2 樓 210 室
- [74] 三友知識產權代理有限公司
香港

德輔道中 188 號

金龍中心 23 樓 2301 室



[11] 2422907.8

[15] 07-03-2024

[51] Cl. 20-02

[54] 飾物陳列裝置

Ornament display device

[73] 六福集團有限公司

Luk Fook Holdings Company Limited
15th, 20th, 25th & 27th Floor,
Metropole Square, No.2 On Yiu Street,
Shatin, New Territories, Hong Kong

[74] Luk Fook Holdings Company Limited (Legal Affairs Department)

25th Floor, Metropole Square,
No.2 On Yiu Street,
Shatin, New Territories, Hong Kong



[11] 2422933.2M001

[15] 11-03-2024

[51] Cl. 13-03

[54] 智能配電箱

Intelligent distribution box

[73] 協興建築有限公司

Hip Hing Construction Co Ltd

香港九龍灣

宏開道 8 號

其士商業中心 11 樓

[74] 鑫友知識產權代理有限公司

香港新界將軍澳

駿昌街 5 號將軍澳工業邨

數據技術中心 8 樓 810 室



[11] 2422933.2M002

[15] 11-03-2024

[51] Cl. 13-03

[54] 智能配電箱

Intelligent distribution box

[73] 協興建築有限公司

Hip Hing Construction Co Ltd

香港九龍灣

宏開道 8 號

其士商業中心 11 樓

[74] 鑫友知識產權代理有限公司

香港新界將軍澳

駿昌街 5 號將軍澳工業邨

數據技術中心 8 樓 810 室



[11] 2422933.2M003

[15] 11-03-2024

[51] Cl. 13-03

[54] 智能配電箱

Intelligent distribution box

[73] 協興建築有限公司

Hip Hing Construction Co Ltd

香港九龍灣

宏開道 8 號

其士商業中心 11 樓

[74] 鑫友知識產權代理有限公司

香港新界將軍澳

駿昌街 5 號將軍澳工業邨
數據技術中心 8 樓 810 室



[11] 2422933.2M004

[15] 11-03-2024

[51] Cl. 13-03

[54] 智能配電箱

Intelligent distribution box

[73] 協興建築有限公司

Hip Hing Construction Co Ltd

香港九龍灣

宏開道 8 號

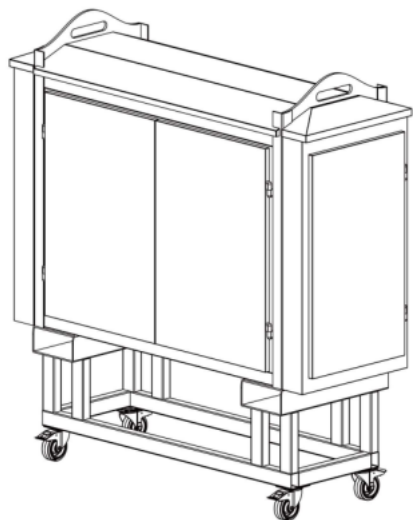
其士商業中心 11 樓

[74] 鑫友知識產權代理有限公司

香港新界將軍澳

駿昌街 5 號將軍澳工業邨

數據技術中心 8 樓 810 室



[11] 2422976.3M001

[15] 18-03-2024

[30] 18-09-2023 / EU / 015034420

[51] Cl. 7-05

[54] 帶有擰乾器的清潔桶

Tub with incorporated wringers

[73] Carl Freudenberg KG

Hoehnerweg 2-4,

69469 Weinheim,

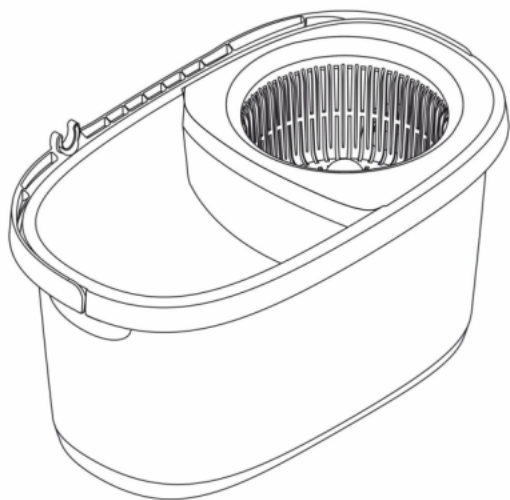
Germany

[74] CHINAHONGKONG IP LIMITED

1502, 15/F, Capital Centre,

151 Gloucester Road,

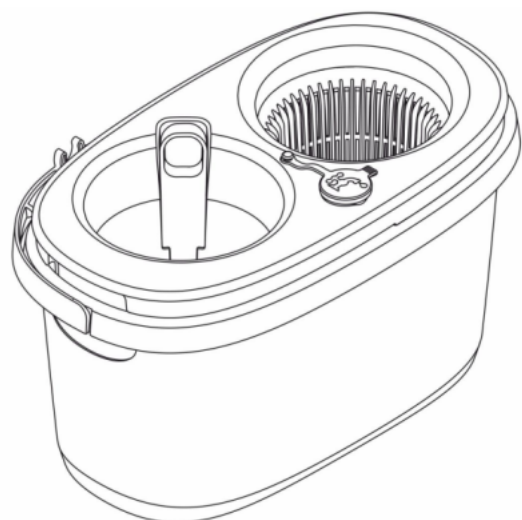
Wanchai, Hong Kong



- [11] 2422976.3M002
[15] 18-03-2024
[30] 18-09-2023 / EU / 015034420
[51] Cl. 7-05
[54] 帶有擰乾器的清潔桶
Tub with incorporated wringers
[73] Carl Freudenberg KG
Hoehnerweg 2-4,
69469 Weinheim,
Germany
[74] CHINAHONGKONG IP LIMITED
1502, 15/F, Capital Centre,
151 Gloucester Road,
Wanchai, Hong Kong



-
- [11] 2422976.3M003
[15] 18-03-2024
[30] 18-09-2023 / EU / 015034420
[51] Cl. 7-05
[54] 帶有擰乾器的清潔桶
Tub with incorporated wringers
[73] Carl Freudenberg KG
Hoehnerweg 2-4,
69469 Weinheim,
Germany
[74] CHINAHONGKONG IP LIMITED
1502, 15/F, Capital Centre,
151 Gloucester Road,
Wanchai, Hong Kong



[11] 2422976.3M004

[15] 18-03-2024

[30] 18-09-2023 / EU / 015034420

[51] Cl. 7-05

[54] 帶有擰乾器的清潔桶

Tub with incorporated wringers

[73] Carl Freudenberg KG

Hoehnerweg 2-4,

69469 Weinheim,

Germany

[74] CHINAHONGKONG IP LIMITED

1502, 15/F, Capital Centre,

151 Gloucester Road,

Wanchai, Hong Kong



[11] 2422980.1M001

[15] 19-03-2024

[30] 22-09-2023 / AM, AZ, BZ, BA, GE, LI, MK, MD, MC, MN, ME, MA,
NO, OM, SG, CH, TN, TR, UA, GB, EU, AL, KG / DM/232 694

[51] Cl. 10-02

[54] 錶

Watch

[73] Glashütter Uhrenbetrieb GMBH

Altenberger Str. 1,

01768 Glashütte,

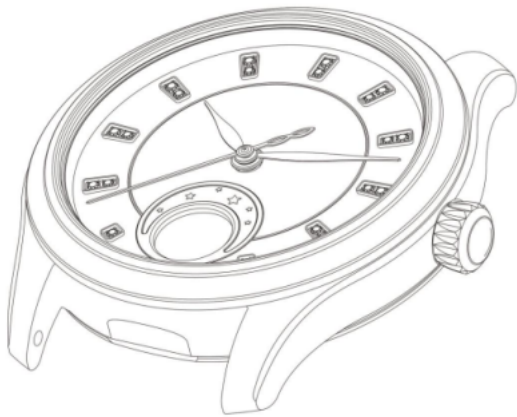
Germany

[74] SPRUSON & FERGUSON (HONG KONG) LIMITED

5001 Hopewell Centre,

183 Queen's Road East,

Wan Chai, Hong Kong



[11] 2422980.1M002

[15] 19-03-2024

[30] 22-09-2023 / AM, AZ, BZ, BA, GE, LI, MK, MD, MC, MN, ME, MA,
NO, OM, SG, CH, TN, TR, UA, GB, EU, AL, KG / DM/232 694

[51] Cl. 10-02

[54] 錶

Watch

[73] Glashütter Uhrenbetrieb GMBH

Altenberger Str. 1,

01768 Glashütte,

Germany

[74] SPRUSON & FERGUSON (HONG KONG) LIMITED

5001 Hopewell Centre,

183 Queen's Road East,

Wan Chai, Hong Kong



[11] 2422980.1M003

[15] 19-03-2024

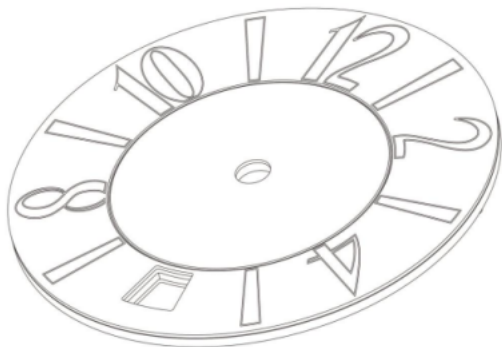
[30] 22-09-2023 / AM, AZ, BZ, BA, GE, LI, MK, MD, MC, MN, ME, MA,
NO, OM, SG, CH, TN, TR, UA, GB, EU, AL, KG / DM/232 694

[51] Cl. 10-07

[54] 錶面
Dial

[73] Glashütter Uhrenbetrieb GMBH
Altenberger Str. 1,
01768 Glashütte,
Germany

[74] SPRUSON & FERGUSON (HONG KONG) LIMITED
5001 Hopewell Centre,
183 Queen's Road East,
Wan Chai, Hong Kong



[11] 2422980.1M004

[15] 19-03-2024

[30] 22-09-2023 / AM, AZ, BZ, BA, GE, LI, MK, MD, MC, MN, ME, MA,
NO, OM, SG, CH, TN, TR, UA, GB, EU, AL, KG / DM/232 694

[51] Cl. 10-02

[54] 錶

Watch

[73] Glashütter Uhrenbetrieb GMBH
Altenberger Str. 1,
01768 Glashütte,
Germany

[74] SPRUSON & FERGUSON (HONG KONG) LIMITED
5001 Hopewell Centre,
183 Queen's Road East,
Wan Chai, Hong Kong



[11] 2422985.2

[15] 20-03-2024

[30] 29-09-2023 / EU / 015035834-0001

[51] Cl. 2-04

[54] 鞋

Footwear

[73] BALENCIAGA
40 rue de Sèvres,
75007 Paris,
France

[74] DEACONS
5th Floor, Alexandra House,
Central,
Hong Kong



[11] 2422989.0

[15] 21-03-2024

[30] 21-09-2023 / EU / 015034857-0001

[51] Cl. 8-07

[54] 管安全鎖

Tube safe lock

[73] Abloy Oy

Wahlforssinkatu 20,

FI-80100 Joensuu,

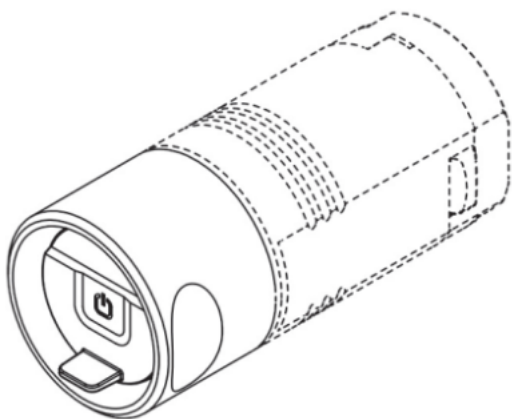
Finland

[74] CHINA PATENT AGENT (HONG KONG) LIMITED

22/F, Great Eagle Centre,

23 Harbour Road,

Wanchai, Hong Kong



[11] 2422992.6M001

[15] 21-03-2024

[30] 25-09-2023 / GB / 6315095

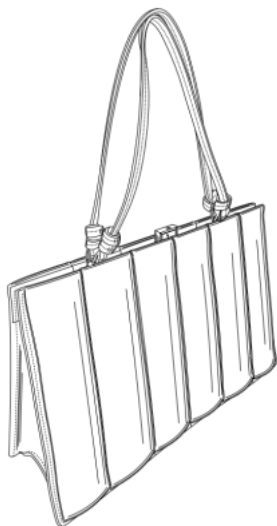
[51] Cl. 3-01

[54] 手提包

Handbag

[73] Phoebe Philo Limited
2nd Floor, Gadd House,
Arcadia Avenue,
London, N3 2JU, United Kingdom

[74] LEWIS SILKIN
Unit 1302, 13/F, Dina House, Ruttonjee Centre,
11 Duddell Street,
Central, Hong Kong



[11] 2422992.6M002

[15] 21-03-2024

[30] 25-09-2023 / GB / 6315096

[51] Cl. 3-01

[54] 手提包
Handbag

[73] Phoebe Philo Limited
2nd Floor, Gadd House,
Arcadia Avenue,
London, N3 2JU, United Kingdom

[74] LEWIS SILKIN
Unit 1302, 13/F, Dina House, Ruttonjee Centre,
11 Duddell Street,
Central, Hong Kong



[11] 2422992.6M003

[15] 21-03-2024

[30] 25-09-2023 / GB / 6315097

[51] Cl. 3-01

[54] 手提包

Handbag

[73] Phoebe Philo Limited

2nd Floor, Gadd House,

Arcadia Avenue,

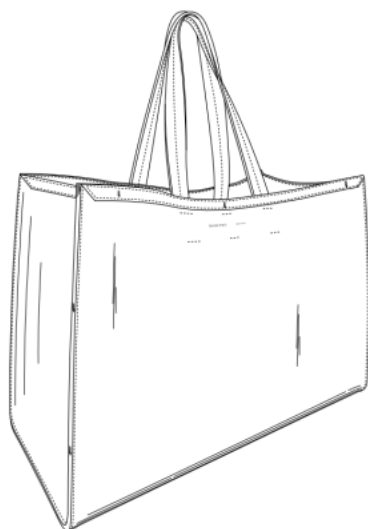
London, N3 2JU, United Kingdom

[74] LEWIS SILKIN

Unit 1302, 13/F, Dina House, Ruttonjee Centre,

11 Duddell Street,

Central, Hong Kong



[11] 2422992.6M004

[15] 21-03-2024

[30] 25-09-2023 / GB / 6315098

[51] Cl. 3-01

[54] 手提包

Handbag

[73] Phoebe Philo Limited

2nd Floor, Gadd House,

Arcadia Avenue,

London, N3 2JU, United Kingdom

[74] LEWIS SILKIN

Unit 1302, 13/F, Dina House, Ruttonjee Centre,

11 Duddell Street,

Central, Hong Kong



[11] 2422992.6M005

[15] 21-03-2024

[30] 25-09-2023 / GB / 6315099

[51] Cl. 3-01

[54] 手提包

Handbag

[73] Phoebe Philo Limited

2nd Floor, Gadd House,

Arcadia Avenue,

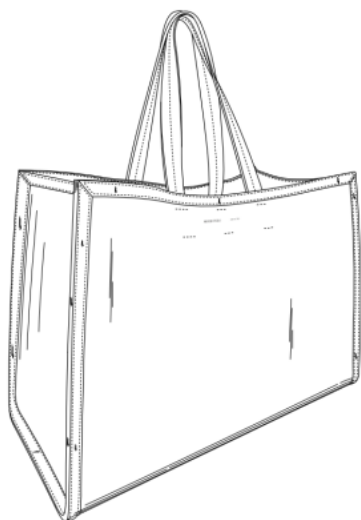
London, N3 2JU, United Kingdom

[74] LEWIS SILKIN

Unit 1302, 13/F, Dina House, Ruttonjee Centre,

11 Duddell Street,

Central, Hong Kong



[11] 2422992.6M006

[15] 21-03-2024

[30] 13-02-2024 / GB / 6346510

[51] Cl. 3-01

[54] 手提包

Handbag

[73] Phoebe Philo Limited

2nd Floor, Gadd House,

Arcadia Avenue,

London, N3 2JU, United Kingdom

[74] LEWIS SILKIN

Unit 1302, 13/F, Dina House, Ruttonjee Centre,

11 Duddell Street,

Central, Hong Kong



[11] 2422992.6M007

[15] 21-03-2024

[30] 13-02-2024 / GB / 6346511

[51] Cl. 3-01

[54] 手提包

Handbag

[73] Phoebe Philo Limited

2nd Floor, Gadd House,

Arcadia Avenue,

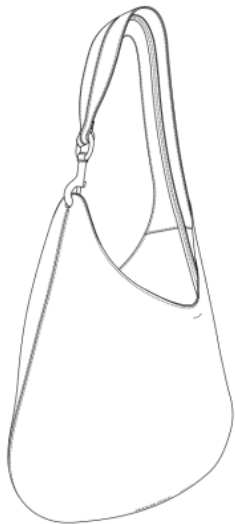
London, N3 2JU, United Kingdom

[74] LEWIS SILKIN

Unit 1302, 13/F, Dina House, Ruttonjee Centre,

11 Duddell Street,

Central, Hong Kong



[11] 2422992.6M008

[15] 21-03-2024

[30] 13-02-2024 / GB / 6346512

[51] Cl. 3-01

[54] 手提包

Handbag

[73] Phoebe Philo Limited

2nd Floor, Gadd House,

Arcadia Avenue,

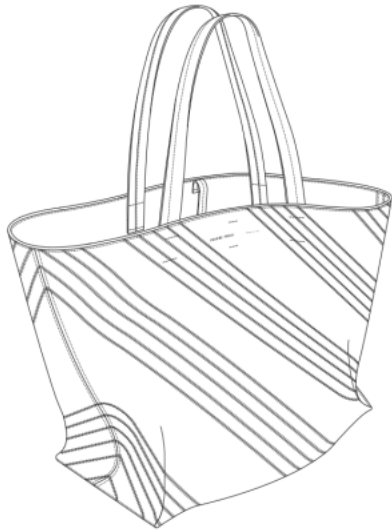
London, N3 2JU, United Kingdom

[74] LEWIS SILKIN

Unit 1302, 13/F, Dina House, Ruttonjee Centre,

11 Duddell Street,

Central, Hong Kong



[11] 2423019.5M001

[15] 22-03-2024

[51] Cl. 11-01

[54] 手鐲

Bracelet

[73] Adriana Victoria Lacava

25 Old Queen Street,

London, SW1H 9JA,

United Kingdom

Isabella Eugenia Lacava

25 Old Queen Street,

London, SW1H 9JA,

United Kingdom

[74] CHINAHONGKONG PATENT LIMITED

1502, 15/F, Capital Centre,

151 Gloucester Road,

Wanchai, Hong Kong



[11] 2423019.5M002

[15] 22-03-2024

[51] Cl. 11-01

[54] 手鐲扣

Clasp for bracelet

[73] Adriana Victoria Lacava

25 Old Queen Street,

London, SW1H 9JA,

United Kingdom

Isabella Eugenia Lacava

25 Old Queen Street,

London, SW1H 9JA,

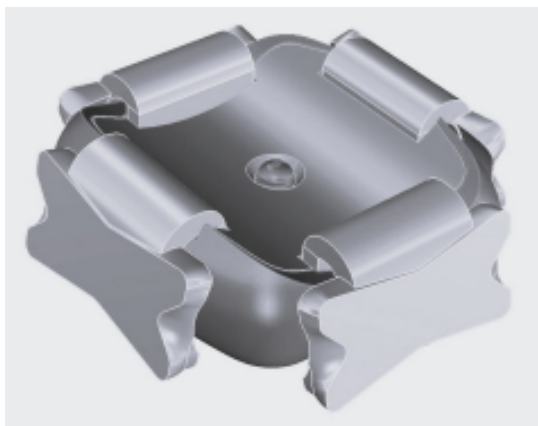
United Kingdom

[74] CHINAHONGKONG PATENT LIMITED

1502, 15/F, Capital Centre,

151 Gloucester Road,

Wanchai, Hong Kong



[11] 2423019.5M003

[15] 22-03-2024

[51] Cl. 11-01

[54] 手鐲連接件

Link for bracelet

[73] Adriana Victoria Lacava

25 Old Queen Street,

London, SW1H 9JA,

United Kingdom

Isabella Eugenia Lacava

25 Old Queen Street,

London, SW1H 9JA,

United Kingdom

[74] CHINAHONGKONG PATENT LIMITED
1502, 15/F, Capital Centre,
151 Gloucester Road,
Wanchai, Hong Kong



[11] 2423019.5M004

[15] 22-03-2024

[51] Cl. 11-01

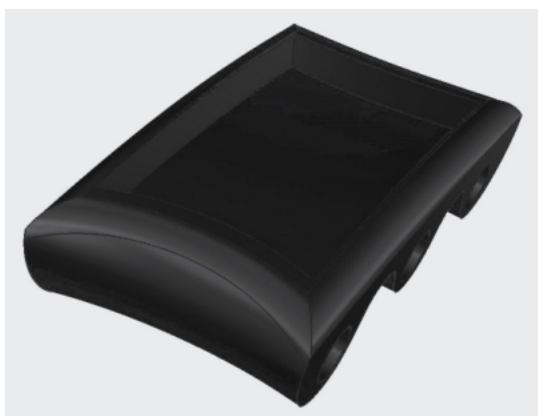
[54] 手鐲連接件

Link for bracelet

[73] Adriana Victoria Lacava
25 Old Queen Street,
London, SW1H 9JA,
United Kingdom

Isabella Eugenia Lacava
25 Old Queen Street,
London, SW1H 9JA,
United Kingdom

[74] CHINAHONGKONG PATENT LIMITED
1502, 15/F, Capital Centre,
151 Gloucester Road,
Wanchai, Hong Kong



- [11] 2423023.3
[15] 25-03-2024
[30] 27-09-2023 / EU / 015035268-0001
[51] Cl. 21-01
[54] 模型車
Model car
[73] Dr. Ing. h.c. F. Porsche Aktiengesellschaft
Porscheplatz 1,
70435 Stuttgart,
Germany
[74] WENPING PATENT & TRADE MARK AGENT LIMITED
1701 Tung Wai Commercial Building,
111 Gloucester Road,
Hong Kong



-
- [11] 2423026.0
[15] 25-03-2024
[30] 23-01-2024 / CN / 202430043255.0
[51] Cl. 12-13
[54] 翻斗車
Dump truck
[73] 祥峰五金貿易有限公司
CHEUNG FUNG METAL TRADING COMPANY LIMITED
DD111 Lot2161,
Kam Tin Road, Pat Heung,
New Territories, Hong Kong
[74] 卓遠知識產權有限公司
香港上環
禧利街 27 號
富輝商業中心 10 樓



[11] 2423027.2

[15] 25-03-2024

[30] 26-02-2024 / CA, CN, SG, GB, EU, JP, KR / WIPO144951

[51] Cl. 3-01

[54] 袋

Bag

[73] DELVAUX CREATEUR SA

Boulevard Louis Schmidt 7,

B-1040 Bruxelles,

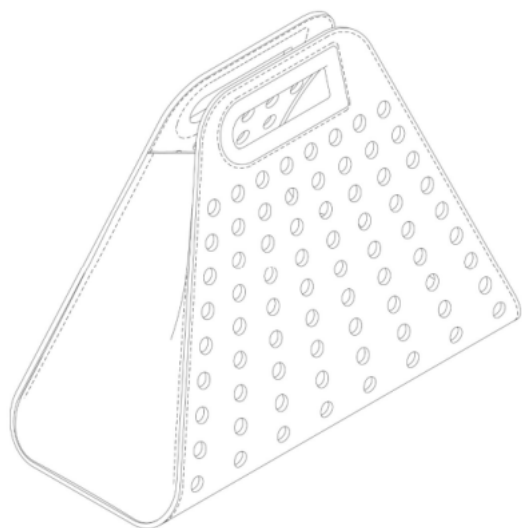
Belgium

[74] MINTERELLISON LLP

Level 32, Wu Chung House,

213 Queen's Road East,

Hong Kong



[11] 2423030.8

[15] 26-03-2024

- [51] Cl. 9-02
Cl. 9-03
- [54] 容器
Container
- [73] TWG TEA COMPANY PTE LTD
390 Havelock Road,
#05-01 King's Centre,
169662, Singapore
- [74] ROBIN BRIDGE & JOHN LIU
6th Floor, Emperor Commercial Centre,
39 Des Voeux Road Central,
Hong Kong



-
- [11] 2423050.0
- [15] 27-03-2024
- [51] Cl. 28-03
- [54] 皮膚處理儀的電極頭
The electrode head of the skin treatment device
- [73] 深圳由萊智能電子有限公司
SHENZHEN ULIKE SMART ELECTRONICS CO., LTD.
中國廣東省深圳市南山區
粵海街道科技園社區科苑路 8 號
訊美科技廣場 1 號樓 810
- [74] 高保知識產權代理有限公司
香港荃灣
白田壩街 36-44 號
信義工業大廈 9 樓



[11] 2423055.1

[15] 27-03-2024

[30] 27-12-2023 / JP / 2023-027255

[51] Cl. 9-05

[54] 包裝用袋

Packing bag

[73] 大日本除蟲菊株式會社

DAINIHON JOCHUGIKU CO., LTD.

4-11, Tosabori 1-chome, Nishi-ku,

Osaka-shi, Osaka-fu,

Japan

[74] BENNY KONG & TSAI

Unit 19B, Overseas Trust Bank Building,

No. 160 Gloucester Road,

Wanchai, Hong Kong



[11] 2423056.3

[15] 27-03-2024

[30] 28-09-2023 / EU / 015035415-0001

[51] Cl. 7-02

[54] 水壺

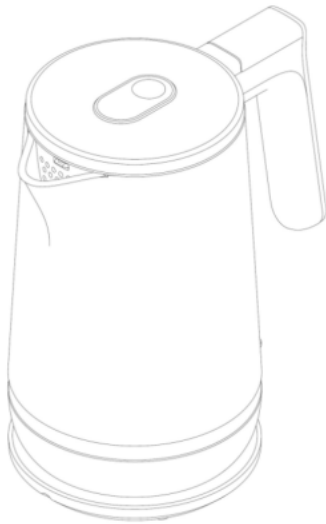
Kettle

[73] VERSUNI HOLDING B.V.

HIGH TECH CAMPUS 42, 5656AE EINDHOVEN,
NETHERLANDS

[74] CHANG TSI AND PARTNERS INTELLECTUAL PROPERTY (HK) LIMITED

Level 20, One International Finance Centre,
No. 1 Harbour View Street, Central,
Hong Kong



[11] 2423059.9

[15] 28-03-2024

[51] Cl. 2-04

[54] 黃麻氈拖鞋

Jute felt slippers

[73] 遠東酒店用品有限公司

Far East Hotel Supplies Limited

香港

新蒲崗大有街 32 號

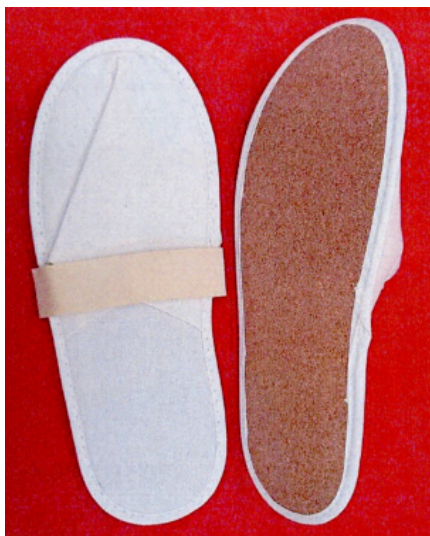
泰力工業中心 7 樓 13 室

[74] 遠東酒店用品有限公司

香港

新蒲崗大有街 32 號

泰力工業中心 7 樓 13 室



[11] 2423062.5

[15] 02-04-2024

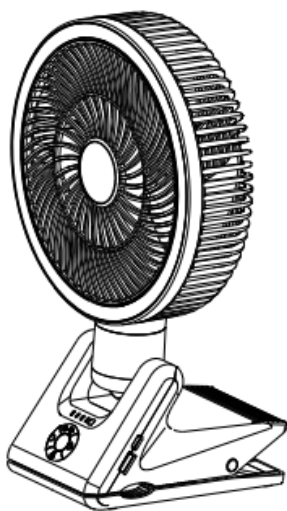
[51] Cl. 23-04

[54] 夾式風扇

Clip fan

[73] WIN&WIN FINE INTERNATIONAL CO., LIMITED
UNIT C, 9/F, WINNING HOUSE,
NO.72-76 WING LOK STREET, SHEUNG WAN,
HONG KONG

[74] JENNY AND PATRICK MARKETING COMPANY LIMITED
LEVEL 12, INFINITUS PLAZA,
199 DES VOEUX ROAD CENTRAL, SHEUNG WAN,
HONG KONG



[11] 2423072.6

[15] 03-04-2024

[51] Cl. 7-01

[54] 真空瓶

Vacuum bottle

[73] ZOJIRUSHI CORPORATION

20-5, 1-Chome, Tenma, Kita-ku, Osaka, 530-8511,
Japan

[74] HASTINGS & CO

5/F, Gloucester Tower, The Landmark,
11 Pedder Street, Central,
Hong Kong



[11] 2423073.8

[15] 03-04-2024

[30] 23-10-2023 / CH, TR, GB, EU / DM/232 756

[51] Cl. 10-02

[54] 手錶

Wristwatch

[73] ETA SA Manufacture Horlogere Suisse

CH-2540 Grenchen,
Switzerland

[74] SPRUSON & FERGUSON (HONG KONG) LIMITED

5001 Hopewell Centre,
183 Queen's Road East, Wan Chai,
Hong Kong



[11] 2423074.0

[15] 03-04-2024

[30] 06-10-2023 / JP / 2023-020749

[51] C1. 21-02

[54] 帶底座的啞鈴

Dumbbell with base

[73] 株式会社 MTG

MTG CO., LTD.

2-32 Honjin-tori, Nakamura-ku, Nagoya-shi,

Aichi 4530041,

Japan

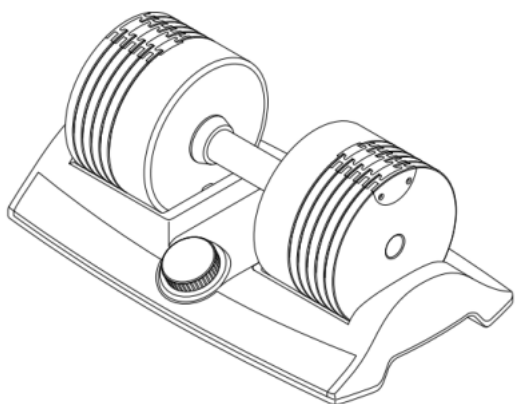
[74] UNITALEN ATTORNEYS AT LAW LIMITED

Unit No.1211, Level 12, Tower 1,

Grand Century Place,

193 Prince Edward Road West,

Mongkok, Kowloon, Hong Kong



[11] 2423078.9

- [15] 05-04-2024
- [30] 24-10-2023 / MA, NO, OM, SG, CH, TN, TR, UA, GB, EU, AL /
DM/232 794
- [51] Cl. 10-02
- [54] 手錶
Wristwatch
- [73] SWATCH AG (SWATCH SA) (SWATCH LTD.)
Nicolas G. Hayek Strasse 1,
2502 Biel/Bienne,
Switzerland
- [74] SPRUSON & FERGUSON (HONG KONG) LIMITED
5001 Hopewell Centre,
183 Queen's Road East, Wan Chai,
Hong Kong



-
- [11] 2423096.7
- [15] 09-04-2024
- [30] 09-10-2023 / CA, MC, SG, CH, GB, EU, JP, KR / DM/232500
- [51] Cl. 10-02
- [54] 錶
Watch
- [73] Chaumet International S.A.
12, Place Vendôme,
75001 Paris,
France
- [74] WENPING PATENT & TRADE MARK AGENT LIMITED
1701 Tung Wai Commercial Building,
111 Gloucester Road,
Hong Kong



[11] 2423097.9

[15] 09-04-2024

[30] 09-10-2023 / CA, MC, SG, CH, GB, EU, JP, KR / DM/232500

[51] Cl. 10-02

[54] 錶

Watch

[73] Chaumet International S.A.

12, Place Vendôme,

75001 Paris,

France

[74] WENPING PATENT & TRADE MARK AGENT LIMITED

1701 Tung Wai Commercial Building,

111 Gloucester Road,

Hong Kong



- [11] 2423098.1
[15] 09-04-2024
[30] 09-10-2023 / CA, MC, SG, CH, GB, EU, JP, KR / DM/232500
[51] Cl. 10-07
[54] 錶殼
Watch case
[73] Chaumet International S.A.
12, Place Vendôme,
75001 Paris,
France
[74] WENPING PATENT & TRADE MARK AGENT LIMITED
1701 Tung Wai Commercial Building,
111 Gloucester Road,
Hong Kong



-
- [11] 2423102.1
[15] 09-04-2024
[30] 16-11-2023 / KR / 30-2023-0045535
[51] Cl. 28-03
[54] 皮膚護理器
Skin treatment apparatus
[73] LG Jeon za Joo-sik-hoi-sa (LG Electronics Inc.)
128, Yeoui-daero,
Yeongdeungpo-gu, Seoul, 07336,
Republic of Korea
[74] SPRUSON & FERGUSON (HONG KONG) LIMITED
5001 Hopewell Centre,
183 Queen's Road East, Wan Chai,
Hong Kong



[11] 2423120.9

[15] 11-04-2024

[51] Cl. 14-04

[54] 血統資料圖形用戶界面

Graphical user interface for pedigree information

[73] 堅料有限公司

KINTIPS LIMITED

香港

九龍荔枝角永康街 37 號

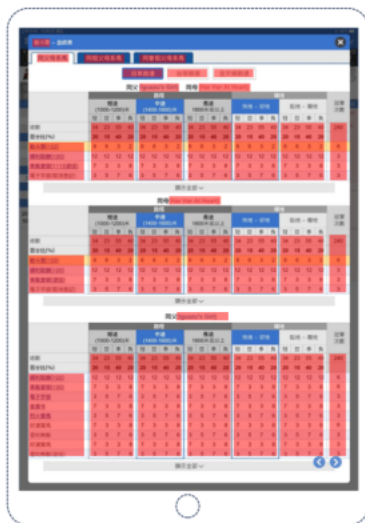
福源廣場 28 樓

[74] 智群科技設計(香港)有限公司

香港

九龍九龍灣宏光道 8 號

創豪坊 7 樓 706 室



- [11] 2423163.9
[15] 18-04-2024
[51] Cl. 9-05
[54] 牙膏管
Toothpaste tube
[73] 明輝實業國際有限公司
Ming Fai Enterprise International Co.,Ltd
香港
新界荃灣海盛路 3 號
TML 廣場 8 樓 D3 室
[74] 綽能顧問有限公司
香港
中環皇后大道中 41 至 47 號
聯成大廈 2 樓 204 室



-
- [11] 2423166.6M001
[15] 18-04-2024
[30] 20-10-2023 / CN / 202330681158X
[51] Cl. 24-01
Cl. 24-02
[54] 骨科手術導航定位系統機械臂台車
Robotic arm trolley for orthopedic surgery navigation and
positioning system
[73] 鑫君特(蘇州)醫療科技有限公司
中國
江蘇省蘇州市高新區富春江路 188 號
3 號樓 301、302、303 室
[74] 金諾知識產權公司
香港
九龍旺角花園街 45-47 號
仁康大廈 5 樓 B 室



[11] 2423166.6M002

[15] 18-04-2024

[30] 20-10-2023 / CN / 202330681158X

[51] Cl. 24-01

Cl. 24-02

[54] 骨科手術導航定位系統機械臂台車

Robotic arm trolley for orthopedic surgery navigation and positioning system

[73] 鑫君特(蘇州)醫療科技有限公司

中國

江蘇省蘇州市高新區富春江路 188 號

3 號樓 301、302、303 室

[74] 金諾知識產權公司

香港

九龍旺角花園街 45-47 號

仁康大廈 5 樓 B 室



[11] 2423172.8

[15] 19-04-2024

[30] 27-12-2023 / JP / 2023-027122

[51] Cl. 21-01

[54] 立方體玩具的主體

Main body of cubic toy

[73] 株式會社萬代

BANDAI CO., LTD.

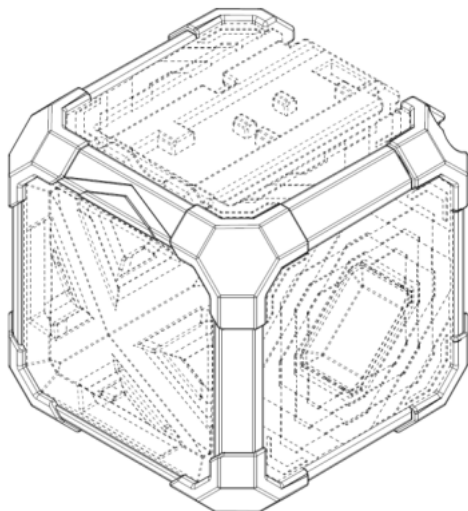
4-8, Komagata 1-chome, Taito-ku, Tokyo,
Japan

[74] 范紀羅江律師行

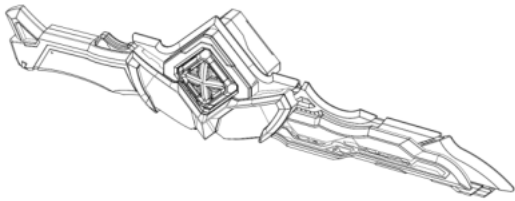
香港

灣仔港灣道 6-8 號

瑞安中心 23 樓



- [11] 2423173.0
[15] 19-04-2024
[30] 15-01-2024 / JP / 2024-000517
[51] Cl. 21-01
[54] 劍形玩具
Sword-shaped toy
[73] 株式會社萬代
BANDAI CO., LTD.
4-8, Komagata 1-chome, Taito-ku, Tokyo,
Japan
[74] 范紀羅江律師行
香港
灣仔港灣道 6-8 號
瑞安中心 23 樓



-
- [11] 2423175.5
[15] 19-04-2024
[30] 27-12-2023 / JP / 2023-027124
[51] Cl. 21-01
[54] 人形玩具
Toy figurine
[73] 株式會社萬代
BANDAI CO., LTD.
4-8, Komagata 1-chome, Taito-ku, Tokyo,
Japan
[74] 范紀羅江律師行
香港
灣仔港灣道 6-8 號
瑞安中心 23 樓



[11] 2423176.7

[15] 19-04-2024

[30] 15-02-2024 / JP / 2024-003139

[51] Cl. 21-01

[54] 人形玩具

Toy figurine

[73] 株式會社萬代

BANDAI CO., LTD.

4-8, Komagata 1-chome, Taito-ku, Tokyo,
Japan

[74] 范紀羅江律師行

香港

灣仔港灣道 6-8 號

瑞安中心 23 樓



[11] 2423178.1

[15] 19-04-2024

[51] Cl. 3-01

[54] 包

Bag

[73] BTV GROUP PTE. LTD.

2 Alexandra Road #06-03,
Delta House, Singapore 159919,
Singapore

[74] ACCOLADE IP LIMITED

10/F, Fu Fai Comm. Ctr.,
27 Hillier Street, Sheung Wan,
Hong Kong



[11] 2423184.3M001

[15] 22-04-2024

[51] Cl. 11-01

[54] 飾物設計

Ornament design

[73] 六福集團有限公司

Luk Fook Holdings Company Limited
15th, 20th, 25th & 27th Floor, Metropole Square,
No.2 On Yiu Street, Shatin, New Territories,
Hong Kong

[74] Luk Fook Holdings Company Limited (Legal Affairs Department)

25th Floor, Metropole Square,
No.2 On Yiu Street, Shatin, New Territories,
Hong Kong



[11] 2423184.3M002

[15] 22-04-2024

[51] Cl. 11-01

[54] 飾物設計
Ornament design

[73] 六福集團有限公司

Luk Fook Holdings Company Limited

15th, 20th, 25th & 27th Floor, Metropole Square,

No.2 On Yiu Street, Shatin, New Territories,

Hong Kong

[74] Luk Fook Holdings Company Limited (Legal Affairs Department)

25th Floor, Metropole Square,

No.2 On Yiu Street, Shatin, New Territories,

Hong Kong





香港特別行政區政府知識產權署外觀設計註冊處

The Government of the Hong Kong Special Administrative Region

Designs Registry, Intellectual Property Department

根據註冊外觀設計條例第 28 條，下列註冊外觀設計因未繳續期費而停止有效。

各組記項按註冊外觀設計停止有效日期及註冊編號先後次序排列。

Registered designs ceased through non-payment of renewal fees under section 28 of the Registered Designs Ordinance. Entries are listed below under their expiry dates.

25-04-2024 - 01-05-2024

25-04-2024	1913557.7M001	1913571.6M013
1913539.9	1913557.7M002	1913571.6M014
1913540.1	1913558.9M002	1913571.6M015
	1913558.9M003	1913571.6M016
26-04-2024	1913558.9M004	1913571.6M017
0900675.0	1913559.1	1913571.6M018
	1913560.3M001	1913571.6M019
27-04-2024	1913560.3M002	1913571.6M020
0410903.1M001	1913560.3M003	1913573.0
0900686.3M001	1913560.3M004	
0900686.3M002	1913561.5M001	
0900686.3M005	1913561.5M002	
0900686.3M006	1913563.9	
0900686.3M010	1913564.1	
1400775.9	1913567.8	
1400776.1	1913568.0	
1400781.1M001		
1400781.1M004	01-05-2024	
	1400819.3M002	
28-04-2024	1400819.3M003	
1400801.5M001	1400820.5M002	
1913541.3	1400820.5M003	
1913542.5	1400830.6	
1913544.9M001	1400833.2	
1913544.9M002	1913571.6M002	
1913545.2	1913571.6M003	
1913550.2	1913571.6M004	
1913552.6	1913571.6M005	
1913554.0	1913571.6M006	
1913555.3	1913571.6M007	
	1913571.6M008	
29-04-2024	1913571.6M009	
1400806.6	1913571.6M010	
1913556.5M001	1913571.6M012	



香港特別行政區政府知識產權署外觀設計註冊處

The Government of the Hong Kong Special Administrative Region

Designs Registry, Intellectual Property Department

根據註冊外觀設計規則第 31 條刪除的註冊外觀設計。各組記項按註冊外觀設計刪除日期及註冊編號先後次序排列。

Registered designs removed under section 31 of the Registered Designs Rules. Entries are listed below under their removal dates.

03-05-2024 - 09-05-2024

03-05-2024	1802152.3
1802125.7	1802153.5
1802127.1	1802154.7
1802128.3	1802156.2M001
1802129.5	1802156.2M002
	1802156.2M003

05-05-2024	1802157.4
1301921.9	1802158.6
	1802159.8

06-05-2024	1802160.0
1301926.0	1802161.2

1301927.2	
1301928.4	09-05-2024
1301929.6	1802164.8
1301930.8	1802165.1
1301931.0	1802166.3
1301938.5	1802167.5
1301942.3	1802168.7M001
1802132.1	1802168.7M003
	1802168.7M004

07-05-2024	1802169.9
0802615.5M001	1802173.7
0802615.5M002	1802174.9
0802615.5M003	1802175.2M001
1802135.8	1802175.2M002
1802136.0	1802175.2M003
1802137.2	1802175.2M004
	1802175.2M005

08-05-2024	1802175.2M006
1301954.8	1802175.2M007
1802141.0	1802175.2M008
1802146.1	1802175.2M009
1802147.3	1802175.2M010
1802151.1	