

香港知識產權公報

Hong Kong Intellectual Property Journal

2024年9月27日
27 September 2024



目錄 Contents

根據註冊外觀設計條例第 25 條註冊的外觀設計

Designs Registered under section 25 of the Registered Designs Ordinance

按註冊編號排列

Arranged by Registration Number

根據註冊外觀設計條例(第 522 章)公布的其他公告

Other Notices Published under the Registered Designs Ordinance (Cap. 522)

根據註冊外觀設計條例第 28 條，註冊外觀設計因未繳續期費而停止有效

Registered designs ceased through non-payment of renewal fees under section 28 of the Registered Designs Ordinance

根據註冊外觀設計規則第 31 條刪除的註冊外觀設計

Registered designs removed under section 31 of the Registered Designs Rules

以下事項沒有記錄

No Records for the Following Matters

根據註冊外觀設計條例第 30 條放棄的外觀設計的註冊

Surrender of Registration of Design under section 30 of the Registered Designs Ordinance

根據註冊外觀設計規則第 37 條，向處長作出轉介

Reference to Registrar under section 37 of the Registered Designs Rules

根據註冊外觀設計條例第 45 條，撤銷註冊

Revocation of Registration under section 45 of the Registered Designs Ordinance

根據註冊外觀設計規則第 46 條，向法院作出轉介

Reference to Court under section 46 of the Registered Designs Rules

根據註冊外觀設計規則第 63 條對不符合規定之處作出糾正

Rectification of Irregularities under section 63 of the Registered Designs Rules

根據註冊外觀設計條例第 66 條，糾正註冊紀錄冊

Rectification of Register under section 66 of the Registered Designs Ordinance

根據註冊外觀設計條例第 67 條 更正註冊紀錄冊內的錯誤

Correction of errors in Register under section 67 of the Registered Designs Ordinance

根據註冊外觀設計條例第 67 及 76 條，更正註冊紀錄冊內及已提交文件中的錯誤

Correction of Errors in Register and in Filed Documents under sections 67 and 76 of the Registered Designs Ordinance

根據註冊外觀設計條例第 76 條，更正已提交文件中的錯誤

Correction of errors in filed documents under section 76 of the Registered Designs Ordinance

勘誤

Corrigendum

註冊外觀設計公告註釋

Notes on advertisements of registration of designs

方括號表示下列資料：

Square brackets indicate the following data：

[11] 註冊編號 Registration number / 聯合王國註冊編號 United Kingdom registration number

[15] 註冊日期 Registration date / 當作註冊日期 Deemed registration date / 聯合王國註冊日期 United Kingdom registration date

[17] 註冊有效期屆滿日期 Expiry date of the period of registration

[22] 提交日期 Filing date / 當作提交日期 Deemed filing date / 聯合王國提交日期 United Kingdom filing date

[30] 聲稱享有的優先權（提交日期 / 巴黎公約國或世界貿易組織成員 / 申請編號） Priority claimed (filing date / Paris Convention country or WTO member / application number)

[51] 國際外觀設計分類號（洛迦諾分類號） International Classification of designs (Locarno Classification)

[54] 物品 Article

[55] 外觀設計的表述 Representation of the design

[62] 分開前的申請編號及提交日期 Application number before division and filing date

[66] 過往註冊的聯繫外觀設計註冊編號 / 日期 Registration No. / Date of Previous Registration for Association

[72] 設計人 Designer

[73] 擁有人姓名和地址 Name and address of the owner

[74] 代理人 Agent /送達地址 Address for service



香港特別行政區政府知識產權署外觀設計註冊處

The Government of the Hong Kong Special Administrative Region

Designs Registry, Intellectual Property Department

根據註冊外觀設計條例第 25 條註冊的外觀設計

Designs registered under section 25 of the Registered Designs Ordinance

按註冊編號排列

Arranged by Registration Number

[11] 2422898.7M001

[15] 06-03-2024

[51] Cl. 24-01

[54] 尖部

Tip

[73] Solta Medical Ireland Limited

3013 Lake Drive,

Citywest Business Campus, Dublin,

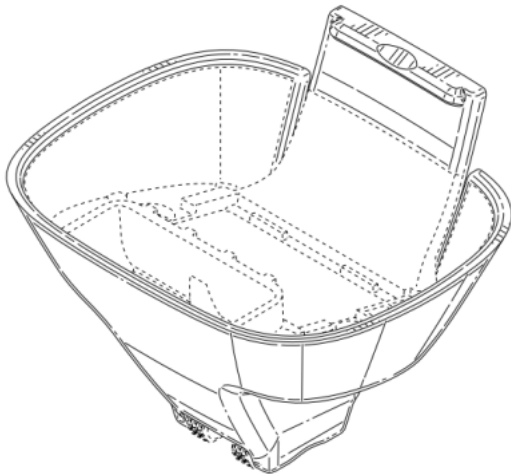
Ireland

[74] LIU, SHEN & ASSOCIATES

Room 3716, 37/F, Sun Hung Kai Centre,

30 Harbour Road,

Wanchai, Hong Kong



[11] 2422898.7M002

[15] 06-03-2024

[51] Cl. 24-01

[54] 尖部

Tip

[73] Solta Medical Ireland Limited

3013 Lake Drive,

Citywest Business Campus, Dublin,

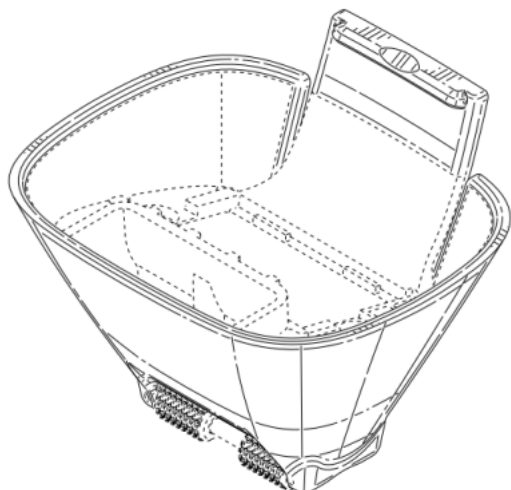
Ireland

[74] LIU, SHEN & ASSOCIATES

Room 3716, 37/F, Sun Hung Kai Centre,

30 Harbour Road,

Wanchai, Hong Kong



[11] 2422968.6

[15] 15-03-2024

[51] Cl. 6-09

[54] 墊子

Cushion

[73] 广东伍福堂一六八文化科技有限公司

Guangdong Wufutang 168 Culture Technology Co., LTD

中國广州市

南沙区南沙街

海洋街2号2座301房A1(仅限办公)

[74] 天潤國際管理有限公司

香港

新界葵涌大連排道162-170號

金龍工業中心2座4樓I-1室

HONG KONG



[11] 2423032.2

[15] 26-03-2024

[30] 27-09-2023 / CN / 2023306345547
27-09-2023 / CN / 2023306345316

[51] C1. 21-01

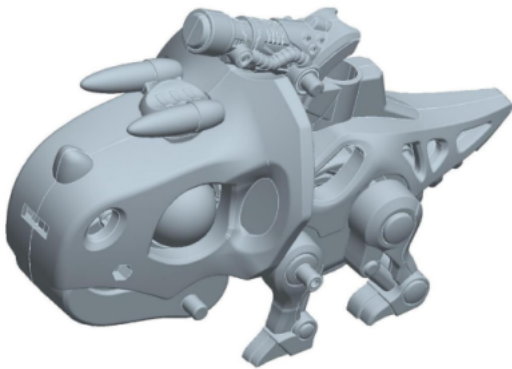
[54] 玩具 (霸王龍造型)
Toys (tyrannosaurus rex shape)

[73] 汕頭市兒超喜智能科技實業有限公司
中國廣東省
汕頭市澄海區
廣益街道登峰路廣峰工業區 3 號

[74] 聚一知識產權有限公司
香港九龍尖沙咀
嘉蘭圍 5-11 號
利時商業大廈 1813 號

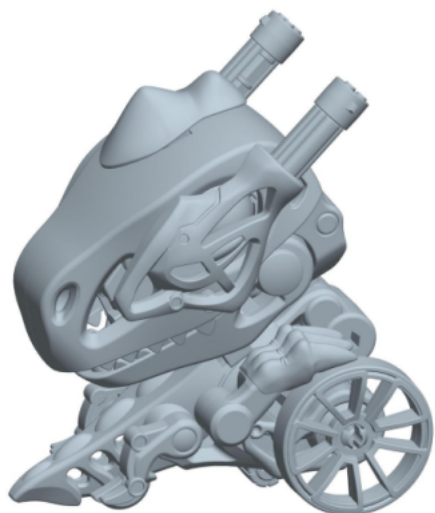


- [11] 2423034.6
[15] 26-03-2024
[30] 27-09-2023 / CN / 2023306345369
27-09-2023 / CN / 202330634478X
[51] C1. 21-01
[54] 玩具(三角龍造型)
Toys (triceratops shape)
[73] 汕頭市兒超喜智能科技實業有限公司
中國廣東省
汕頭市澄海區
廣益街道登峰路廣峰工業區 3 號
[74] 聚一知識產權有限公司
香港九龍尖沙咀
嘉蘭圍 5-11 號
利時商業大廈 1813 号



-
- [11] 2423035.9
[15] 26-03-2024
[30] 27-09-2023 / CN / 2023306345782
27-09-2023 / CN / 2023306345528
[51] C1. 21-01
[54] 玩具(雙排炮造型)
Toys (double row cannon shape)
[73] 汕頭市兒超喜智能科技實業有限公司
中國廣東省
汕頭市澄海區
廣益街道登峰路廣峰工業區 3 號
[74] 聚一知識產權有限公司
香港九龍尖沙咀

嘉蘭圍 5-11 號
利時商業大廈 1813 號



[11] 2423143.7

[15] 16-04-2024

[30] 17-11-2023 / US / 29/917,241

[51] Cl. 24-01

[54] 經顱電刺激裝置

Transcranial electro-stimulation device

[73] NEXALIN TECHNOLOGY, INC.

1776 Yorktown,

Suite 550, Houston, Texas 77056,

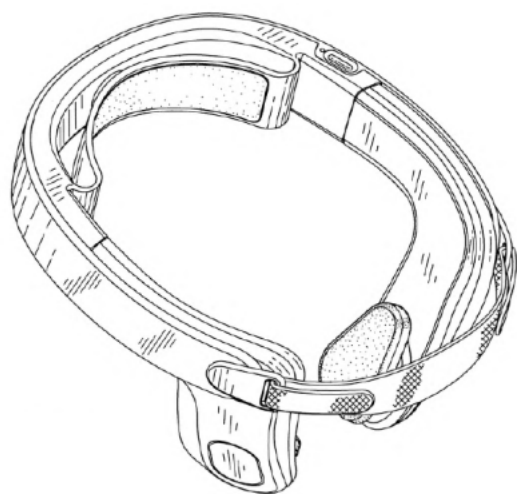
United States of America

[74] Li & Partners

22/F, World Wide House,

19 Des Voeux Road Central, Central,

Hong Kong



[11] 2423158.9

[15] 17-04-2024

[30] 26-10-2023 / JP / 2023-022282

[51] Cl. 21-03

[54] 遊戲機

Game machine

[73] 日商·驚嘆公司

Marvelous Inc.

12-8, HigashiShinagawa 4-chome,

Shinagawa-ku, Tokyo,

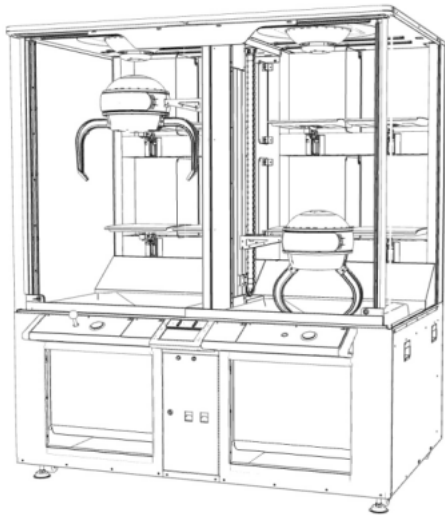
Japan

[74] IPWELL INTERNATIONAL INTELLECTUAL PROPERTY COMPANY LIMITED

Unit A, 2/F, Hung To Centre,

94-96 How Ming Street, Kwun Tong,

Hong Kong



[11] 2423224.9M001

[15] 25-04-2024

[51] Cl. 9-03

[54] 蛋糕盒

Cake carton

[73] Shi King Bon

Flat A5, 20/F, Skypark,

17 Nelson Street, Mong Kok,

Hong Kong

[74] Shi King Bon

Flat A5, 20/F, Skypark,

17 Nelson Street, Mong Kok,
Hong Kong



[11] 2423224.9M002

[15] 25-04-2024

[51] Cl. 9-03

[54] 蛋糕盒

Cake carton

[73] Shi King Bon

Flat A5, 20/F, Skypark,
17 Nelson Street, Mong Kok,
Hong Kong

[74] Shi King Bon

Flat A5, 20/F, Skypark,
17 Nelson Street, Mong Kok,
Hong Kong



[11] 2423224.9M003

[15] 25-04-2024

[51] Cl. 9-03

[54] 蛋糕盒

Cake carton

[73] Shi King Bon

Flat A5, 20/F, Skypark,
17 Nelson Street, Mong Kok,
Hong Kong

[74] Shi King Bon

Flat A5, 20/F, Skypark,
17 Nelson Street, Mong Kok,
Hong Kong



[11] 2423224.9M004

[15] 25-04-2024

[51] Cl. 9-03

[54] 蛋糕盒

Cake carton

[73] Shi King Bon

Flat A5, 20/F, Skypark,
17 Nelson Street, Mong Kok,
Hong Kong

[74] Shi King Bon

Flat A5, 20/F, Skypark,
17 Nelson Street, Mong Kok,
Hong Kong



[11] 2423334.2M001

[15] 19-05-2024

[30] 20-11-2023 / CN / 2023307598317

[51] Cl. 12-16

[54] 汽車擾流板

Spoiler for vehicles

[73] 浙江智马达智能科技有限公司

Zhejiang Smart Intelligence Technology Co., Ltd.

Zone B, Building I, No. 7,

Zhongchuang Second Road, Hangzhou Bay,

Ningbo City, Zhejiang Province 315336,

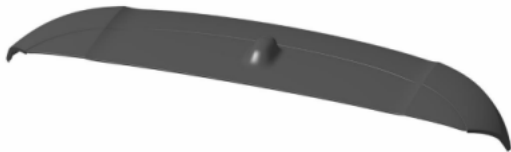
China

[74] GLOBAL ZEN IP SERVICES LIMITED

Room 1707, 17th Floor Beverly House,

93-107 Lockhart Road, Wanchai,

Hong Kong



[11] 2423334.2M002

[15] 19-05-2024

[30] 20-11-2023 / CN / 2023307598317

[51] Cl. 12-16

[54] 汽車擾流板

Spoiler for vehicles

[73] 浙江智马达智能科技有限公司

Zhejiang Smart Intelligence Technology Co., Ltd.
Zone B, Building I, No. 7,
Zhongchuang Second Road, Hangzhou Bay,
Ningbo City, Zhejiang Province 315336,
China

[74] GLOBAL ZEN IP SERVICES LIMITED

Room 1707, 17th Floor Beverly House,
93-107 Lockhart Road, Wanchai,
Hong Kong



[11] 2423334.2M003

[15] 19-05-2024

[30] 20-11-2023 / CN / 2023307594104

[51] Cl. 12-16

[54] 汽車後視鏡

Rearview mirror for vehicles

[73] 浙江智马达智能科技有限公司

Zhejiang Smart Intelligence Technology Co., Ltd.
Zone B, Building I, No. 7,
Zhongchuang Second Road, Hangzhou Bay,
Ningbo City, Zhejiang Province 315336,
China

[74] GLOBAL ZEN IP SERVICES LIMITED

Room 1707, 17th Floor Beverly House,
93-107 Lockhart Road, Wanchai,
Hong Kong



[11] 2423334.2M004

[15] 19-05-2024

[30] 20-11-2023 / CN / 2023307594903

[51] Cl. 12-16

[54] 汽車翼子板

Fender panel for vehicles

[73] 浙江智马达智能科技有限公司

Zhejiang Smart Intelligence Technology Co., Ltd.

Zone B, Building I, No. 7,

Zhongchuang Second Road, Hangzhou Bay,

Ningbo City, Zhejiang Province 315336,

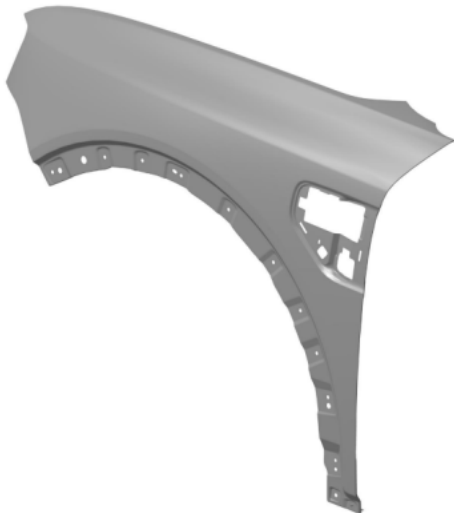
China

[74] GLOBAL ZEN IP SERVICES LIMITED

Room 1707, 17th Floor Beverly House,

93-107 Lockhart Road, Wanchai,

Hong Kong



[11] 2423334.2M005

[15] 19-05-2024

[30] 20-11-2023 / CN / 2023307594138

[51] Cl. 12-16

[54] 前車門外板

Front door outer panel for vehicles

[73] 浙江智马达智能科技有限公司

Zhejiang Smart Intelligence Technology Co., Ltd.

Zone B, Building I, No. 7,

Zhongchuang Second Road, Hangzhou Bay,

Ningbo City, Zhejiang Province 315336,

China

- [74] GLOBAL ZEN IP SERVICES LIMITED
Room 1707, 17th Floor Beverly House,
93-107 Lockhart Road, Wanchai,
Hong Kong



[11] 2423334.2M006

[15] 19-05-2024

[30] 20-11-2023 / CN / 2023307594937

[51] Cl. 12-16

[54] 汽車發動機艙蓋

Engine compartment plate for vehicles

[73] 浙江智马达智能科技有限公司

Zhejiang Smart Intelligence Technology Co., Ltd.

Zone B, Building I, No. 7,

Zhongchuang Second Road, Hangzhou Bay,

Ningbo City, Zhejiang Province 315336,

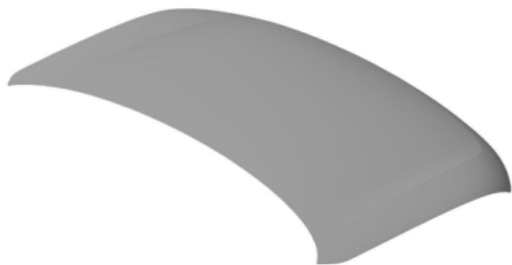
China

[74] GLOBAL ZEN IP SERVICES LIMITED

Room 1707, 17th Floor Beverly House,

93-107 Lockhart Road, Wanchai,

Hong Kong



[11] 2423334.2M007

[15] 19-05-2024

[30] 20-11-2023 / CN / 2023307594091

[51] Cl. 12-16

[54] 汽車後背門

Rear trunk door for vehicles

[73] 浙江智马达智能科技有限公司

Zhejiang Smart Intelligence Technology Co., Ltd.

Zone B, Building I, No. 7,

Zhongchuang Second Road, Hangzhou Bay,

Ningbo City, Zhejiang Province 315336,

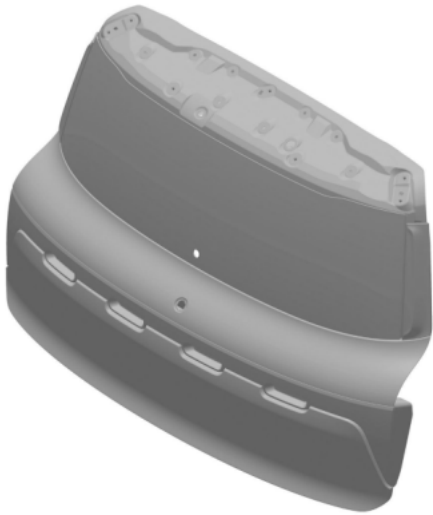
China

[74] GLOBAL ZEN IP SERVICES LIMITED

Room 1707, 17th Floor Beverly House,

93-107 Lockhart Road, Wanchai,

Hong Kong



[11] 2423334.2M008

[15] 19-05-2024

[30] 20-11-2023 / CN / 202330759402X

[51] Cl. 12-16

[54] 後車門外板

Rear door outer panel for vehicles

[73] 浙江智马达智能科技有限公司

Zhejiang Smart Intelligence Technology Co., Ltd.

Zone B, Building I, No. 7,

Zhongchuang Second Road, Hangzhou Bay,

Ningbo City, Zhejiang Province 315336,

China

[74] GLOBAL ZEN IP SERVICES LIMITED

Room 1707, 17th Floor Beverly House,

93-107 Lockhart Road, Wanchai,

Hong Kong



[11] 2423334.2M009

[15] 19-05-2024

[30] 20-11-2023 / CN / 2023307594890

[51] Cl. 12-16

[54] 汽車儀表板總成

Dashboard assembly for vehicles

[73] 浙江智马达智能科技有限公司

Zhejiang Smart Intelligence Technology Co., Ltd.

Zone B, Building I, No. 7,

Zhongchuang Second Road, Hangzhou Bay,

Ningbo City, Zhejiang Province 315336,

China

[74] GLOBAL ZEN IP SERVICES LIMITED

Room 1707, 17th Floor Beverly House,

93-107 Lockhart Road, Wanchai,

Hong Kong



[11] 2423334.2M010

[15] 19-05-2024

[30] 20-11-2023 / CN / 2023307594890

[51] Cl. 12-16

[54] 汽車儀表板總成

Dashboard assembly for vehicles

[73] 浙江智马达智能科技有限公司

Zhejiang Smart Intelligence Technology Co., Ltd.

Zone B, Building I, No. 7,

Zhongchuang Second Road, Hangzhou Bay,

Ningbo City, Zhejiang Province 315336,

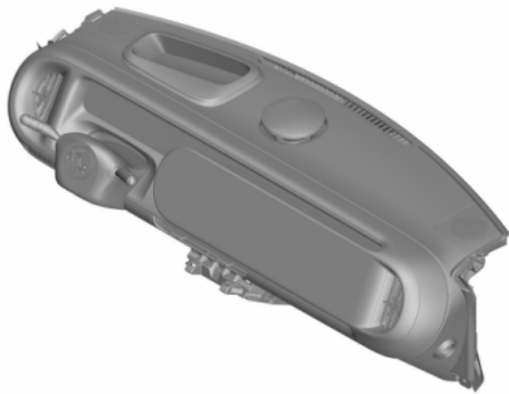
China

[74] GLOBAL ZEN IP SERVICES LIMITED

Room 1707, 17th Floor Beverly House,

93-107 Lockhart Road, Wanchai,

Hong Kong



[11] 2423334.2M011

[15] 19-05-2024

[30] 20-11-2023 / CN / 2023307594195

[51] Cl. 12-16

[54] 汽車副儀表板

Auxiliary fascia console for vehicles

[73] 浙江智马达智能科技有限公司

Zhejiang Smart Intelligence Technology Co., Ltd.

Zone B, Building I, No. 7,

Zhongchuang Second Road, Hangzhou Bay,

Ningbo City, Zhejiang Province 315336,

China

[74] GLOBAL ZEN IP SERVICES LIMITED

Room 1707, 17th Floor Beverly House,

93-107 Lockhart Road, Wanchai,

Hong Kong



[11] 2423334.2M012

[15] 19-05-2024

[30] 20-11-2023 / CN / 2023307594602

[51] Cl. 12-16

[54] 汽車進氣格柵

Inlet grille for vehicles

[73] 浙江智马达智能科技有限公司

Zhejiang Smart Intelligence Technology Co., Ltd.

Zone B, Building I, No. 7,

Zhongchuang Second Road, Hangzhou Bay,

Ningbo City, Zhejiang Province 315336,

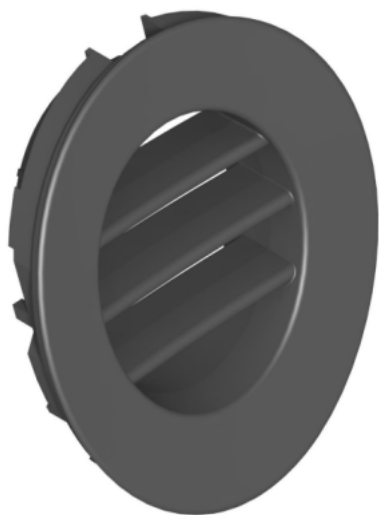
China

[74] GLOBAL ZEN IP SERVICES LIMITED

Room 1707, 17th Floor Beverly House,

93-107 Lockhart Road, Wanchai,

Hong Kong



[11] 2423334.2M013

[15] 19-05-2024

[30] 20-11-2023 / CN / 2023307594208

[51] Cl. 12-16

[54] 汽車後門內飾板

Rear door interior trim panel for vehicles

[73] 浙江智马达智能科技有限公司

Zhejiang Smart Intelligence Technology Co., Ltd.

Zone B, Building I, No. 7,

Zhongchuang Second Road, Hangzhou Bay,

Ningbo City, Zhejiang Province 315336,

China

[74] GLOBAL ZEN IP SERVICES LIMITED

Room 1707, 17th Floor Beverly House,

93-107 Lockhart Road, Wanchai,

Hong Kong



[11] 2423334.2M014

[15] 19-05-2024

[30] 20-11-2023 / CN / 2023307594852

[51] Cl. 12-16

[54] 汽車左前門內飾板

Left front door interior trim panel for vehicles

[73] 浙江智马达智能科技有限公司

Zhejiang Smart Intelligence Technology Co., Ltd.

Zone B, Building I, No. 7,

Zhongchuang Second Road, Hangzhou Bay,

Ningbo City, Zhejiang Province 315336,

China

[74] GLOBAL ZEN IP SERVICES LIMITED

Room 1707, 17th Floor Beverly House,

93-107 Lockhart Road, Wanchai,
Hong Kong



[11] 2423334.2M015

[15] 19-05-2024

[30] 20-11-2023 / CN / 2023307596260

[51] Cl. 12-16

[54] 汽車側圍外板

Side frame outer panel for vehicles

[73] 浙江智马达智能科技有限公司

Zhejiang Smart Intelligence Technology Co., Ltd.

Zone B, Building I, No. 7,

Zhongchuang Second Road, Hangzhou Bay,

Ningbo City, Zhejiang Province 315336,

China

[74] GLOBAL ZEN IP SERVICES LIMITED

Room 1707, 17th Floor Beverly House,

93-107 Lockhart Road, Wanchai,

Hong Kong



[11] 2423334.2M016

[15] 19-05-2024

[30] 20-11-2023 / CN / 2023307594000

[51] Cl. 12-08

[54] 整車

Vehicle

[73] 浙江智马达智能科技有限公司

Zhejiang Smart Intelligence Technology Co., Ltd.

Zone B, Building I, No. 7,

Zhongchuang Second Road, Hangzhou Bay,

Ningbo City, Zhejiang Province 315336,

China

[74] GLOBAL ZEN IP SERVICES LIMITED

Room 1707, 17th Floor Beverly House,

93-107 Lockhart Road, Wanchai,

Hong Kong



[11] 2423334.2M017

[15] 19-05-2024

[30] 20-11-2023 / CN / 2023307594000

[51] Cl. 12-08

[54] 整車

Vehicle

[73] 浙江智马达智能科技有限公司

Zhejiang Smart Intelligence Technology Co., Ltd.

Zone B, Building I, No. 7,

Zhongchuang Second Road, Hangzhou Bay,

Ningbo City, Zhejiang Province 315336,

China

[74] GLOBAL ZEN IP SERVICES LIMITED

Room 1707, 17th Floor Beverly House,

93-107 Lockhart Road, Wanchai,

Hong Kong



[11] 2423334.2M018

[15] 19-05-2024

[30] 20-11-2023 / CN / 2023307598497

[51] Cl. 12-16

[54] 汽車後保險槓

Rear bumper for vehicles

[73] 浙江智马达智能科技有限公司

Zhejiang Smart Intelligence Technology Co., Ltd.

Zone B, Building I, No. 7,

Zhongchuang Second Road, Hangzhou Bay,

Ningbo City, Zhejiang Province 315336,

China

[74] GLOBAL ZEN IP SERVICES LIMITED

Room 1707, 17th Floor Beverly House,

93-107 Lockhart Road, Wanchai,

Hong Kong



[11] 2423334.2M019

[15] 19-05-2024

[30] 20-11-2023 / CN / 2023307598497

[51] Cl. 12-16

[54] 汽車後保險槓

Rear bumper for vehicles

[73] 浙江智马达智能科技有限公司

Zhejiang Smart Intelligence Technology Co., Ltd.

Zone B, Building I, No. 7,

Zhongchuang Second Road, Hangzhou Bay,

Ningbo City, Zhejiang Province 315336,

China

[74] GLOBAL ZEN IP SERVICES LIMITED

Room 1707, 17th Floor Beverly House,

93-107 Lockhart Road, Wanchai,

Hong Kong



[11] 2423334.2M020

[15] 19-05-2024

[30] 20-11-2023 / CN / 202330759850X

[51] Cl. 12-16

[54] 汽車前保險槓

Front bumper for vehicles

[73] 浙江智马达智能科技有限公司

Zhejiang Smart Intelligence Technology Co., Ltd.

Zone B, Building I, No. 7,

Zhongchuang Second Road, Hangzhou Bay,

Ningbo City, Zhejiang Province 315336,

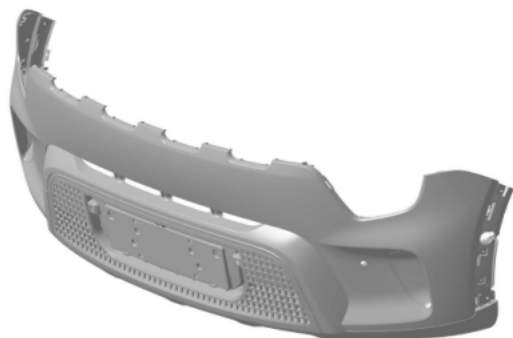
China

[74] GLOBAL ZEN IP SERVICES LIMITED

Room 1707, 17th Floor Beverly House,

93-107 Lockhart Road, Wanchai,

Hong Kong



[11] 2423334.2M021

[15] 19-05-2024

[30] 20-11-2023 / CN / 202330759850X

[51] Cl. 12-16

[54] 汽車前保險槓

Front bumper for vehicles

[73] 浙江智马达智能科技有限公司

Zhejiang Smart Intelligence Technology Co., Ltd.

Zone B, Building I, No. 7,

Zhongchuang Second Road, Hangzhou Bay,

Ningbo City, Zhejiang Province 315336,

China

[74] GLOBAL ZEN IP SERVICES LIMITED

Room 1707, 17th Floor Beverly House,

93-107 Lockhart Road, Wanchai,

Hong Kong



[11] 2423334.2M022

[15] 19-05-2024

[30] 20-11-2023 / CN / 202330759843X

[51] Cl. 12-16

[54] 車輪

Wheel for vehicles

[73] 浙江智马达智能科技有限公司

Zhejiang Smart Intelligence Technology Co., Ltd.
Zone B, Building I, No. 7,
Zhongchuang Second Road, Hangzhou Bay,
Ningbo City, Zhejiang Province 315336,
China

[74] GLOBAL ZEN IP SERVICES LIMITED

Room 1707, 17th Floor Beverly House,
93-107 Lockhart Road, Wanchai,
Hong Kong



[11] 2423334.2M023

[15] 19-05-2024

[30] 20-11-2023 / CN / 2023307598209

[51] Cl. 12-16

[54] 車輪

Wheel for vehicles

[73] 浙江智马达智能科技有限公司

Zhejiang Smart Intelligence Technology Co., Ltd.
Zone B, Building I, No. 7,
Zhongchuang Second Road, Hangzhou Bay,
Ningbo City, Zhejiang Province 315336,
China

[74] GLOBAL ZEN IP SERVICES LIMITED

Room 1707, 17th Floor Beverly House,
93-107 Lockhart Road, Wanchai,
Hong Kong



[11] 2423334.2M024

[15] 19-05-2024

[30] 20-11-2023 / CN / 2023307598196

[51] Cl. 12-16

[54] 車輪

Wheel for vehicles

[73] 浙江智马达智能科技有限公司

Zhejiang Smart Intelligence Technology Co., Ltd.

Zone B, Building I, No. 7,

Zhongchuang Second Road, Hangzhou Bay,

Ningbo City, Zhejiang Province 315336,

China

[74] GLOBAL ZEN IP SERVICES LIMITED

Room 1707, 17th Floor Beverly House,

93-107 Lockhart Road, Wanchai,

Hong Kong



[11] 2423334.2M025

[15] 19-05-2024

[30] 20-11-2023 / CN / 2023307598675

[51] Cl. 12-16

[54] 車輪

Wheel for vehicles

[73] 浙江智马达智能科技有限公司

Zhejiang Smart Intelligence Technology Co., Ltd.

Zone B, Building I, No. 7,

Zhongchuang Second Road, Hangzhou Bay,

Ningbo City, Zhejiang Province 315336,

China

[74] GLOBAL ZEN IP SERVICES LIMITED

Room 1707, 17th Floor Beverly House,

93-107 Lockhart Road, Wanchai,

Hong Kong



[11] 2423334.2M026

[15] 19-05-2024

[30] 20-11-2023 / CN / 2023307598425

[51] Cl. 12-16

[54] 車輪裝飾蓋

Ornamental wheel hub cover for vehicles

[73] 浙江智马达智能科技有限公司

Zhejiang Smart Intelligence Technology Co., Ltd.

Zone B, Building I, No. 7,

Zhongchuang Second Road, Hangzhou Bay,

Ningbo City, Zhejiang Province 315336,

China

[74] GLOBAL ZEN IP SERVICES LIMITED
Room 1707, 17th Floor Beverly House,
93-107 Lockhart Road, Wanchai,
Hong Kong



[11] 2423334.2M027

[15] 19-05-2024

[30] 20-11-2023 / CN / 2023307598425

[51] Cl. 12-16

[54] 車輪裝飾蓋

Ornamental wheel hub cover for vehicles

[73] 浙江智马达智能科技有限公司

Zhejiang Smart Intelligence Technology Co., Ltd.

Zone B, Building I, No. 7,

Zhongchuang Second Road, Hangzhou Bay,

Ningbo City, Zhejiang Province 315336,

China

[74] GLOBAL ZEN IP SERVICES LIMITED

Room 1707, 17th Floor Beverly House,

93-107 Lockhart Road, Wanchai,

Hong Kong



[11] 2423334.2M028

[15] 19-05-2024

[30] 20-11-2023 / CN / 2023307598336

[51] Cl. 12-16

[54] 汽車翼子板飾板

Fender decoration board for vehicles

[73] 浙江智马达智能科技有限公司

Zhejiang Smart Intelligence Technology Co., Ltd.

Zone B, Building I, No. 7,

Zhongchuang Second Road, Hangzhou Bay,

Ningbo City, Zhejiang Province 315336,

China

[74] GLOBAL ZEN IP SERVICES LIMITED

Room 1707, 17th Floor Beverly House,

93-107 Lockhart Road, Wanchai,

Hong Kong



[11] 2423334.2M029

[15] 19-05-2024

[30] 20-11-2023 / CN / 2023307598336

[51] Cl. 12-16

[54] 汽車翼子板飾板

Fender decoration board for vehicles

[73] 浙江智马达智能科技有限公司

Zhejiang Smart Intelligence Technology Co., Ltd.

Zone B, Building I, No. 7,

Zhongchuang Second Road, Hangzhou Bay,

Ningbo City, Zhejiang Province 315336,

China

[74] GLOBAL ZEN IP SERVICES LIMITED

Room 1707, 17th Floor Beverly House,

93-107 Lockhart Road, Wanchai,

Hong Kong



[11] 2423334.2M030

[15] 19-05-2024

[30] 20-11-2023 / CN / 2023307598336

[51] Cl. 12-16

[54] 汽車翼子板飾板

Fender decoration board for vehicles

[73] 浙江智马达智能科技有限公司

Zhejiang Smart Intelligence Technology Co., Ltd.

Zone B, Building I, No. 7,

Zhongchuang Second Road, Hangzhou Bay,

Ningbo City, Zhejiang Province 315336,
China

[74] GLOBAL ZEN IP SERVICES LIMITED
Room 1707, 17th Floor Beverly House,
93-107 Lockhart Road, Wanchai,
Hong Kong



[11] 2423334.2M031

[15] 19-05-2024

[30] 20-11-2023 / CN / 2023307598410

[51] Cl. 12-16

[54] 汽車升降揚聲器蓋板

Liftable and lowerable speaker cover-plate for vehicles

[73] 浙江智马达智能科技有限公司

Zhejiang Smart Intelligence Technology Co., Ltd.

Zone B, Building I, No. 7,

Zhongchuang Second Road, Hangzhou Bay,

Ningbo City, Zhejiang Province 315336,

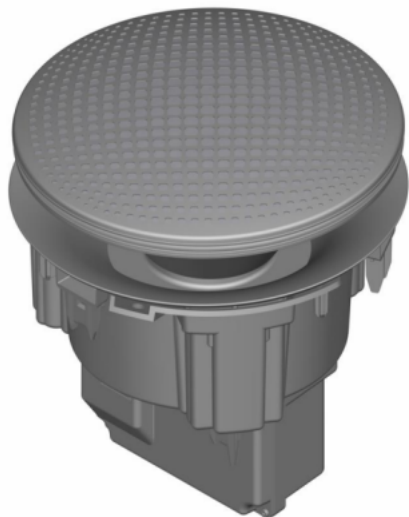
China

[74] GLOBAL ZEN IP SERVICES LIMITED

Room 1707, 17th Floor Beverly House,

93-107 Lockhart Road, Wanchai,

Hong Kong



[11] 2423334.2M032

[15] 19-05-2024

[30] 20-11-2023 / CN / 2023307598410

[51] Cl. 12-16

[54] 汽車升降揚聲器蓋板

Liftable and lowerable speaker cover-plate for vehicles

[73] 浙江智马达智能科技有限公司

Zhejiang Smart Intelligence Technology Co., Ltd.

Zone B, Building I, No. 7,

Zhongchuang Second Road, Hangzhou Bay,

Ningbo City, Zhejiang Province 315336,

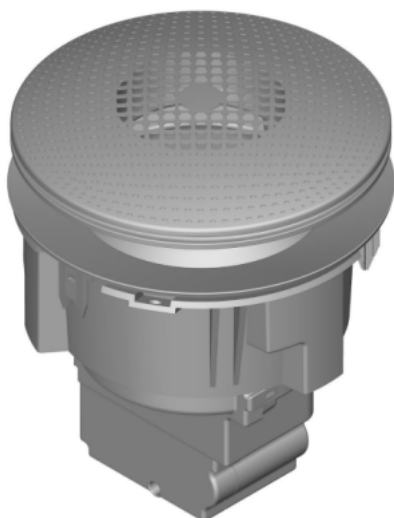
China

[74] GLOBAL ZEN IP SERVICES LIMITED

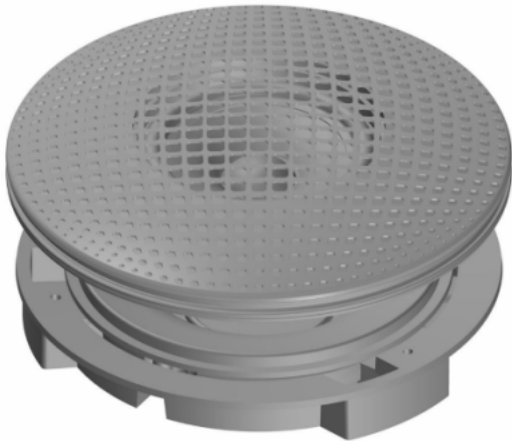
Room 1707, 17th Floor Beverly House,

93-107 Lockhart Road, Wanchai,

Hong Kong

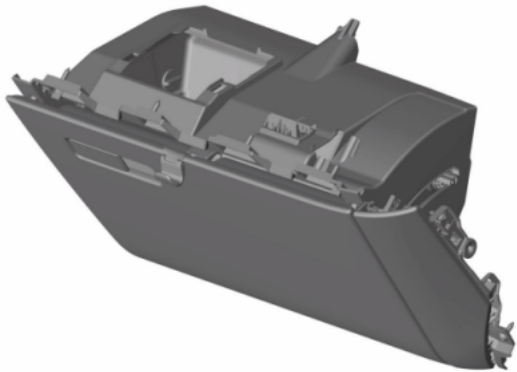


- [11] 2423334.2M033
[15] 19-05-2024
[30] 20-11-2023 / CN / 2023307598410
[51] Cl. 12-16
[54] 汽車升降揚聲器蓋板
Liftable and lowerable speaker cover-plate for vehicles
[73] 浙江智马达智能科技有限公司
Zhejiang Smart Intelligence Technology Co., Ltd.
Zone B, Building I, No. 7,
Zhongchuang Second Road, Hangzhou Bay,
Ningbo City, Zhejiang Province 315336,
China
[74] GLOBAL ZEN IP SERVICES LIMITED
Room 1707, 17th Floor Beverly House,
93-107 Lockhart Road, Wanchai,
Hong Kong



-
- [11] 2423334.2M034
[15] 19-05-2024
[30] 20-11-2023 / CN / 2023307594918
[51] Cl. 12-16
[54] 汽車雜物箱
Glove box for vehicles
[73] 浙江智马达智能科技有限公司
Zhejiang Smart Intelligence Technology Co., Ltd.
Zone B, Building I, No. 7,
Zhongchuang Second Road, Hangzhou Bay,
Ningbo City, Zhejiang Province 315336,
China

- [74] GLOBAL ZEN IP SERVICES LIMITED
Room 1707, 17th Floor Beverly House,
93-107 Lockhart Road, Wanchai,
Hong Kong

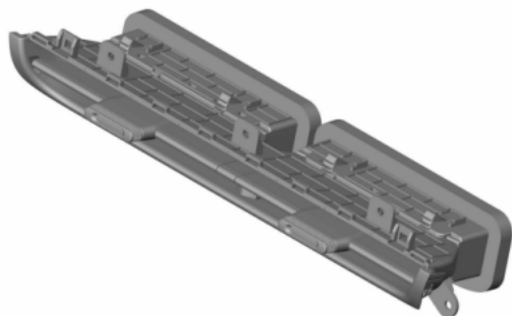


-
- [11] 2423334.2M035
[15] 19-05-2024
[30] 20-11-2023 / CN / 2023307594212
[51] Cl. 12-16

- [54] 汽車中央出風口
Central air outlet for vehicles

- [73] 浙江智马达智能科技有限公司
Zhejiang Smart Intelligence Technology Co., Ltd.
Zone B, Building I, No. 7,
Zhongchuang Second Road, Hangzhou Bay,
Ningbo City, Zhejiang Province 315336,
China

- [74] GLOBAL ZEN IP SERVICES LIMITED
Room 1707, 17th Floor Beverly House,
93-107 Lockhart Road, Wanchai,
Hong Kong



-
- [11] 2423334.2M036
[15] 19-05-2024

[30] 20-11-2023 / CN / 2023307598482

[51] Cl. 12-16

[54] 汽車防擦條

Anti-friction strip for vehicles

[73] 浙江智马达智能科技有限公司

Zhejiang Smart Intelligence Technology Co., Ltd.

Zone B, Building I, No. 7,

Zhongchuang Second Road, Hangzhou Bay,

Ningbo City, Zhejiang Province 315336,

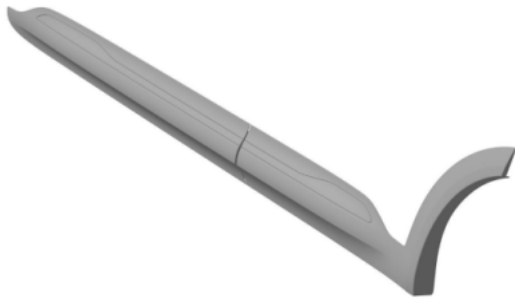
China

[74] GLOBAL ZEN IP SERVICES LIMITED

Room 1707, 17th Floor Beverly House,

93-107 Lockhart Road, Wanchai,

Hong Kong



[11] 2423334.2M037

[15] 19-05-2024

[30] 20-11-2023 / CN / 2023307598482

[51] Cl. 12-16

[54] 汽車防擦條

Anti-friction strip for vehicles

[73] 浙江智马达智能科技有限公司

Zhejiang Smart Intelligence Technology Co., Ltd.

Zone B, Building I, No. 7,

Zhongchuang Second Road, Hangzhou Bay,

Ningbo City, Zhejiang Province 315336,

China

[74] GLOBAL ZEN IP SERVICES LIMITED

Room 1707, 17th Floor Beverly House,

93-107 Lockhart Road, Wanchai,

Hong Kong



[11] 2423334.2M038

[15] 19-05-2024

[30] 20-11-2023 / CN / 2023307594157

[51] Cl. 12-16

[54] 汽車內後視鏡

Inside rear-view mirror for vehicles

[73] 浙江智马达智能科技有限公司

Zhejiang Smart Intelligence Technology Co., Ltd.

Zone B, Building I, No. 7,

Zhongchuang Second Road, Hangzhou Bay,

Ningbo City, Zhejiang Province 315336,

China

[74] GLOBAL ZEN IP SERVICES LIMITED

Room 1707, 17th Floor Beverly House,

93-107 Lockhart Road, Wanchai,

Hong Kong



[11] 2423334.2M039

[15] 19-05-2024

[30] 20-11-2023 / CN / 2023307598393

[51] Cl. 12-16

[54] 汽車內飾板 (B 柱)

Interior trim panel B-pillar for vehicles

[73] 浙江智马达智能科技有限公司

Zhejiang Smart Intelligence Technology Co., Ltd.

Zone B, Building I, No. 7,

Zhongchuang Second Road, Hangzhou Bay,

Ningbo City, Zhejiang Province 315336,

China

[74] GLOBAL ZEN IP SERVICES LIMITED

Room 1707, 17th Floor Beverly House,

93-107 Lockhart Road, Wanchai,

Hong Kong



[11] 2423334.2M040

[15] 19-05-2024

[30] 20-11-2023 / CN / 2023307598393

[51] Cl. 12-16

[54] 汽車內飾板 (B 柱)

Interior trim panel B-pillar for vehicles

[73] 浙江智马达智能科技有限公司

Zhejiang Smart Intelligence Technology Co., Ltd.

Zone B, Building I, No. 7,

Zhongchuang Second Road, Hangzhou Bay,

Ningbo City, Zhejiang Province 315336,

China

[74] GLOBAL ZEN IP SERVICES LIMITED

Room 1707, 17th Floor Beverly House,

93-107 Lockhart Road, Wanchai,

Hong Kong



[11] 2423334.2M041

[15] 19-05-2024

[30] 20-11-2023 / CN / 2023307594585

[51] Cl. 12-16

[54] 汽車門檻內飾板

Threshold interior trim panel for vehicles

[73] 浙江智马达智能科技有限公司

Zhejiang Smart Intelligence Technology Co., Ltd.

Zone B, Building I, No. 7,

Zhongchuang Second Road, Hangzhou Bay,

Ningbo City, Zhejiang Province 315336,

China

[74] GLOBAL ZEN IP SERVICES LIMITED

Room 1707, 17th Floor Beverly House,

93-107 Lockhart Road, Wanchai,

Hong Kong



[11] 2423334.2M042

[15] 19-05-2024

[30] 20-11-2023 / CN / 2023307594621

[51] Cl. 12-16

[54] 汽車門檻內飾板

Threshold interior trim panel for vehicles

[73] 浙江智马达智能科技有限公司

Zhejiang Smart Intelligence Technology Co., Ltd.

Zone B, Building I, No. 7,

Zhongchuang Second Road, Hangzhou Bay,

Ningbo City, Zhejiang Province 315336,

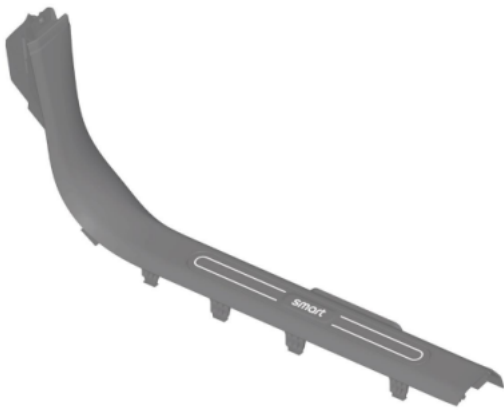
China

[74] GLOBAL ZEN IP SERVICES LIMITED

Room 1707, 17th Floor Beverly House,

93-107 Lockhart Road, Wanchai,

Hong Kong



[11] 2423334.2M043

[15] 19-05-2024

[30] 20-11-2023 / CN / 202330759459X

[51] Cl. 12-16

[54] 汽車空調旋鈕

Air conditioning knob for vehicles

[73] 浙江智马达智能科技有限公司

Zhejiang Smart Intelligence Technology Co., Ltd.

Zone B, Building I, No. 7,

Zhongchuang Second Road, Hangzhou Bay,

Ningbo City, Zhejiang Province 315336,

China

[74] GLOBAL ZEN IP SERVICES LIMITED

Room 1707, 17th Floor Beverly House,

93-107 Lockhart Road, Wanchai,

Hong Kong



[11] 2423334.2M044

[15] 19-05-2024

[30] 20-11-2023 / CN / 2023307594551

[51] Cl. 12-16

[54] 汽車內飾板 (A 柱)

Interior trim panel A-pillar for vehicles

[73] 浙江智马达智能科技有限公司

Zhejiang Smart Intelligence Technology Co., Ltd.

Zone B, Building I, No. 7,

Zhongchuang Second Road, Hangzhou Bay,

Ningbo City, Zhejiang Province 315336,

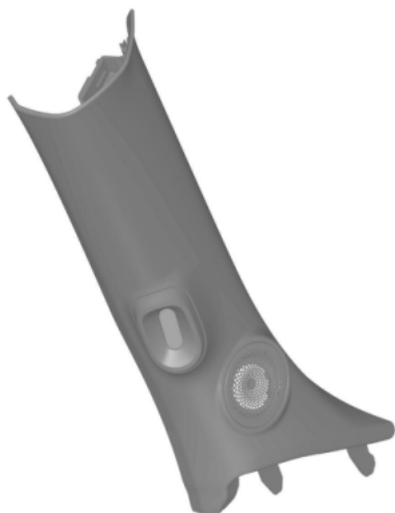
China

[74] GLOBAL ZEN IP SERVICES LIMITED

Room 1707, 17th Floor Beverly House,

93-107 Lockhart Road, Wanchai,

Hong Kong



[11] 2423334.2M045

[15] 19-05-2024

[30] 20-11-2023 / CN / 2023307594617

[51] Cl. 12-16

[54] 汽車除霜風口

Defrosting air-vent for vehicles

[73] 浙江智马达智能科技有限公司

Zhejiang Smart Intelligence Technology Co., Ltd.

Zone B, Building I, No. 7,

Zhongchuang Second Road, Hangzhou Bay,

Ningbo City, Zhejiang Province 315336,

China

[74] GLOBAL ZEN IP SERVICES LIMITED

Room 1707, 17th Floor Beverly House,

93-107 Lockhart Road, Wanchai,

Hong Kong



[11] 2423334.2M046

[15] 19-05-2024

[30] 20-11-2023 / CN / 2023307594547

[51] Cl. 12-16

[54] 車載無線充電裝置

Wireless charging apparatus for vehicles

[73] 浙江智马达智能科技有限公司

Zhejiang Smart Intelligence Technology Co., Ltd.

Zone B, Building I, No. 7,

Zhongchuang Second Road, Hangzhou Bay,

Ningbo City, Zhejiang Province 315336,

China

[74] GLOBAL ZEN IP SERVICES LIMITED

Room 1707, 17th Floor Beverly House,

93-107 Lockhart Road, Wanchai,
Hong Kong



[11] 2423334.2M047

[15] 19-05-2024

[30] 20-11-2023 / CN / 2023307594087

[51] Cl. 12-16

[54] 汽車前艙蓋板

Front-compartment cover plate for vehicles

[73] 浙江智马达智能科技有限公司

Zhejiang Smart Intelligence Technology Co., Ltd.

Zone B, Building I, No. 7,

Zhongchuang Second Road, Hangzhou Bay,

Ningbo City, Zhejiang Province 315336,

China

[74] GLOBAL ZEN IP SERVICES LIMITED

Room 1707, 17th Floor Beverly House,

93-107 Lockhart Road, Wanchai,

Hong Kong



[11] 2423334.2M048

[15] 19-05-2024

[30] 20-11-2023 / CN / 2023307598444

[51] Cl. 12-16

[54] 車載顯示屏

Display screen for vehicles

[73] 浙江智马达智能科技有限公司

Zhejiang Smart Intelligence Technology Co., Ltd.

Zone B, Building I, No. 7,

Zhongchuang Second Road, Hangzhou Bay,

Ningbo City, Zhejiang Province 315336,

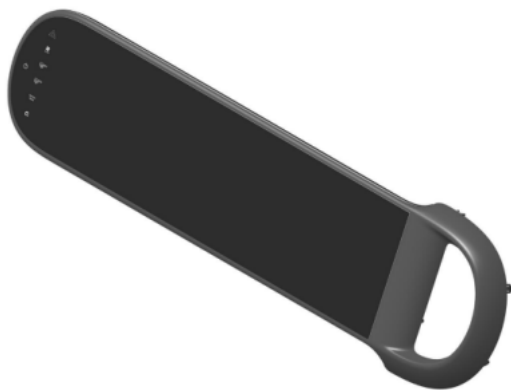
China

[74] GLOBAL ZEN IP SERVICES LIMITED

Room 1707, 17th Floor Beverly House,

93-107 Lockhart Road, Wanchai,

Hong Kong



[11] 2423334.2M049

[15] 19-05-2024

[30] 20-11-2023 / CN / 2023307598444

[51] Cl. 12-16

[54] 車載顯示屏

Display screen for vehicles

[73] 浙江智马达智能科技有限公司

Zhejiang Smart Intelligence Technology Co., Ltd.

Zone B, Building I, No. 7,

Zhongchuang Second Road, Hangzhou Bay,

Ningbo City, Zhejiang Province 315336,

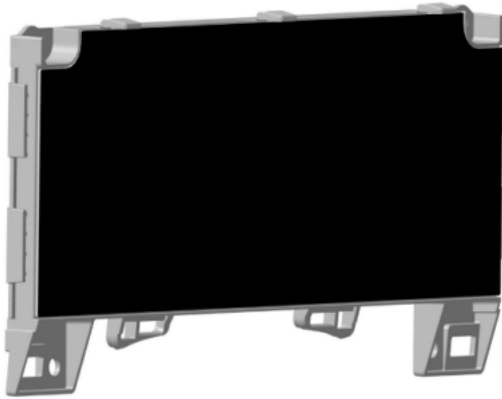
China

[74] GLOBAL ZEN IP SERVICES LIMITED

Room 1707, 17th Floor Beverly House,

93-107 Lockhart Road, Wanchai,

Hong Kong



[11] 2423334.2M050

[15] 19-05-2024

[30] 20-11-2023 / CN / 2023307594814

[51] Cl. 12-16

[54] 汽車前頂蓋裝飾板

Front-roof decorative plate for vehicles

[73] 浙江智马达智能科技有限公司

Zhejiang Smart Intelligence Technology Co., Ltd.

Zone B, Building I, No. 7,

Zhongchuang Second Road, Hangzhou Bay,

Ningbo City, Zhejiang Province 315336,

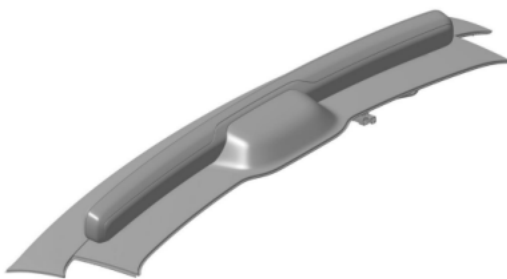
China

[74] GLOBAL ZEN IP SERVICES LIMITED

Room 1707, 17th Floor Beverly House,

93-107 Lockhart Road, Wanchai,

Hong Kong



[11] 2423334.2M051

[15] 19-05-2024

[30] 20-11-2023 / CN / 2023307598355

[51] Cl. 12-16

[54] 汽車方向盤

Steering wheel for vehicles

[73] 浙江智马达智能科技有限公司

Zhejiang Smart Intelligence Technology Co., Ltd.
Zone B, Building I, No. 7,
Zhongchuang Second Road, Hangzhou Bay,
Ningbo City, Zhejiang Province 315336,
China

[74] GLOBAL ZEN IP SERVICES LIMITED

Room 1707, 17th Floor Beverly House,
93-107 Lockhart Road, Wanchai,
Hong Kong



[11] 2423343.1

[15] 20-05-2024

[30] 29-11-2023 / AU / 202317998

[51] Cl. 6-06

[54] 線圈彈簧連緊密的頂部

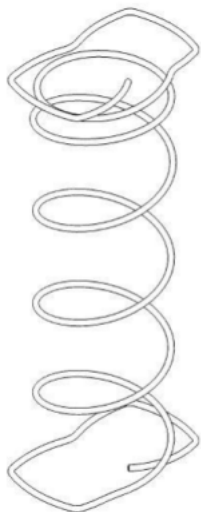
Coil spring with tight top pitch

[73] Madad Pty Ltd

1299 Boundary Road, Wacol, QLD 4076,
Australia

[74] SPRUSON & FERGUSON (HONG KONG) LIMITED

5001 Hopewell Centre,
183 Queen's Road East, Wan Chai,
Hong Kong



[11] 2423366.0

[15] 22-05-2024

[51] Cl. 21-01

[54] 玩具(機械人)
Toy (robot)

[73] 銀輝號有限公司
SILVERLIT LIMITED
Flat/Rm 1704, World Trade Centre,
280 Gloucester Road, Causeway Bay,
Hong Kong

[74] Silverlit Limited
Room 1704, World Trade Centre,
280 Gloucester Road, Causeway Bay,
Hong Kong



[11] 2423367.2

[15] 22-05-2024

[51] Cl. 21-01

[54] 玩具機械人
Toy robot

[73] 銀輝號有限公司
SILVERLIT LIMITED
Flat/Rm 1704, World Trade Centre,
280 Gloucester Road, Causeway Bay,
Hong Kong

[74] Silverlit Limited
Room 1704, World Trade Centre,
280 Gloucester Road, Causeway Bay,
Hong Kong



[11] 2423368.4

[15] 22-05-2024

[51] Cl. 21-01

[54] 玩具槍
Toy gun

[73] 銀輝號有限公司
SILVERLIT LIMITED
Flat/Rm 1704, World Trade Centre,
280 Gloucester Road, Causeway Bay,
Hong Kong

[74] Silverlit Limited
Room 1704, World Trade Centre,
280 Gloucester Road, Causeway Bay,
Hong Kong



[11] 2423369.6

[15] 22-05-2024

[51] Cl. 21-01

[54] 玩具槍

Toy gun

[73] 銀輝號有限公司

SILVERLIT LIMITED

Flat/Rm 1704, World Trade Centre,
280 Gloucester Road, Causeway Bay,
Hong Kong

[74] Silverlit Limited

Room 1704, World Trade Centre,
280 Gloucester Road, Causeway Bay,
Hong Kong



[11] 2423372.2

[15] 23-05-2024

[51] Cl. 7-01

[54] 水瓶蓋

Lid for drinking bottle

[73] BND LIMITED
FLAT B, 6/F, TONG YUEN FACTORY BUILDING,
505 CASTLE PEAK ROAD,
LAI CHI KOK, KOWLOON,
HONG KONG

[74] BND LIMITED
FLAT B, 6/F, TONG YUEN FACTORY BUILDING,
505 CASTLE PEAK ROAD,
LAI CHI KOK, KOWLOON,
HONG KONG



[11] 2423404.1

[15] 29-05-2024

[30] 30-11-2023 / FR / 20235130

[51] Cl. 3-01

[54] 袋
Bag

[73] LOUIS VUITTON MALLETIER
2 rue du Pont-Neuf,
75001 Paris,
France

[74] BAKER & MCKENZIE
14TH FLOOR, ONE TAIKOO PLACE,
979 KING'S ROAD, QUARRY BAY,
HONG KONG



[11] 2423420.5

[15] 31-05-2024

[51] Cl. 21-01

[54] 玩具
Toy

[73] 博基(東莞)電子科技有限公司
中國
廣東省東莞市虎門鎮懷德路 292 號
2 幢 104 室

[74] Silverlit Limited
Room 1704, World Trade Centre,
280 Gloucester Road, Causeway Bay,
Hong Kong



[11] 2423421.7

[15] 31-05-2024

[51] Cl. 21-01

[54] 玩具
Toy

[73] 博基(東莞)電子科技有限公司
中國
廣東省東莞市虎門鎮懷德路 292 號
2 幢 104 室

[74] Silverlit Limited
Room 1704, World Trade Centre,
280 Gloucester Road, Causeway Bay,
Hong Kong



[11] 2423498.9

[15] 07-06-2024

[51] Cl. 9-03

[54] 包裝盒
Packaging box

[73] AXXZIA 股份有限公司
AXXZIA INC.
Shinjuku Sumitomo Building 35F,
2-6-1, Nishi-Shinjuku, Shinjuku-ku, Tokyo,
Japan

[74] CLT PATENT & TRADEMARK (H.K.) LIMITED
Unit 09, 34/F., Office Tower, Convention Plaza,
1 Harbour Road, Wanchai,
Hong Kong



[11] 2423543.6

[15] 18-06-2024

[30] 16-01-2024 / MA, NO, OM, SG, CH, TN, TR, UA, GB, EU, AL /
DM/235 761

[51] Cl. 10-02

[54] 錶

Watch

[73] SWATCH AG (SWATCH SA) (SWATCH LTD.)

Nicolas G. Hayek Strasse 1,
2502 Biel/Bienne,
Switzerland

[74] SPRUSON & FERGUSON (HONG KONG) LIMITED

5001 Hopewell Centre,
183 Queen's Road East, Wan Chai,
Hong Kong



[11] 2423547.5

[15] 20-06-2024

[51] Cl. 9-03

[54] 包裝盒

Packing box

[73] 歐美藥業集團有限公司

EUROPE & AMERICA PHARMACEUTICAL GROUPS LIMITED

香港

新界粉嶺業豐街 13 號

多利工業大廈 4 樓 F 室

[74] 歐美藥業集團有限公司

香港

新界粉嶺業豐街 13 號

多利工業大廈 4 樓 F 室



[11] 2423549.9

[15] 20-06-2024

[51] C1. 7-04

[54] 水果榨汁及測量器

Fruit squeezer and measurer

[73] DAMIAN CHANDLER

7/F, CHEUNG HING INDUSTRIAL BUILDING,

12P SMITHFIELD KENNEDY TOWN,

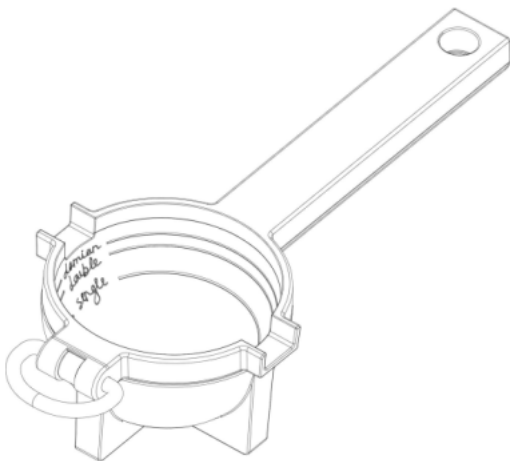
HONG KONG

[74] GLOBAL IP AGENT COMPANY LIMITED

9/F., GOODWILL INDUSTRIAL BUILDING,

36-44 PAK TIN PAR STREET, TSUEN WAN,

HONG KONG



[11] 2423552.5

[15] 20-06-2024

[30] 02-02-2024 / CA, BR, MX, CN, RU, SG, CH, TR, GB, EU, JP /
DM/235853

[51] Cl. 10-02

[54] 手錶

Wristwatch

[73] Hublot SA, Genève

Rue du Rhône 86,

1204 Geneva,

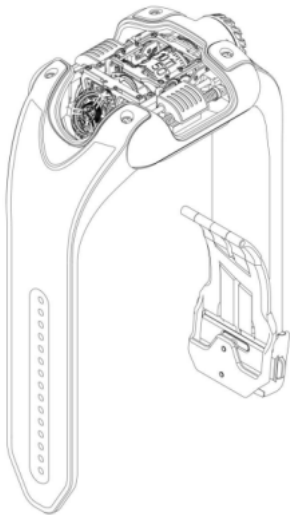
Switzerland

[74] ATL LAW OFFICES

16/F., China Hong Kong Tower,

8-12 Hennessy Road, Wanchai,

Hong Kong



[11] 2423576.6

[15] 21-06-2024

[30] 22-12-2023 / US / 29/922,594

[51] Cl. 6-03

[54] 桌台

Podium

[73] 苹果公司

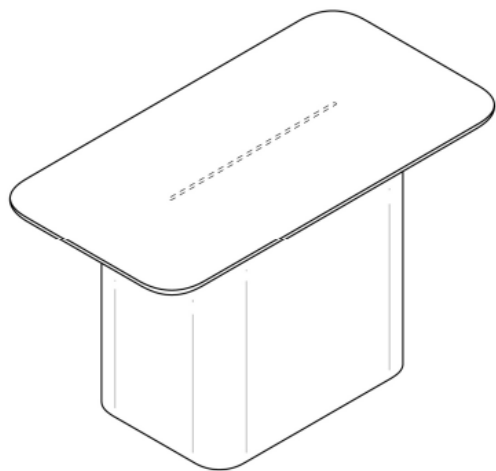
APPLE INC.

One Apple Park Way, Cupertino,

California, 95014,

United States of America

[74] CLT PATENT & TRADEMARK (H.K.) LIMITED
Unit 09, 34/F., Office Tower, Convention Plaza,
1 Harbour Road, Wanchai,
Hong Kong





香港特別行政區政府知識產權署外觀設計註冊處

The Government of the Hong Kong Special Administrative Region

Designs Registry, Intellectual Property Department

根據註冊外觀設計條例第 28 條，下列註冊外觀設計因未繳續期費而停止有效。

各組記項按註冊外觀設計停止有效日期及註冊編號先後次序排列。

Registered designs ceased through non-payment of renewal fees under section 28 of the Registered Designs Ordinance. Entries are listed below under their expiry dates.

28-08-2024 - 03-09-2024

28-08-2024	1914579.4M001
1401613.7	1914579.4M002
1401621.4	1914579.4M003
1914561.6	1914579.4M004
1914564.2M001	1914579.4M005
1914564.2M002	1914580.6
	1914583.2

29-08-2024

1914570.5M001	03-09-2024
1914570.5M002	0411986.7
1914570.5M004	1401646.7
1914571.7M001	1401647.9
1914571.7M002	1401648.1
1914572.9M001	1401649.3
1914572.9M002	1914591.9M001
1914572.9M003	1914591.9M002
1914573.1	1914601.2
1914574.3	1914602.4
1914575.6	1914603.6
1914576.8	1914604.8
1914577.0	1914606.3
1914578.2	1914608.7
	1914609.9

31-08-2024

0411948.7	1914610.1
0901418.6	1914611.3
0901419.8M001	
1401626.5M001	
1401626.5M002	
1401626.5M003	

01-09-2024

0901422.4M001
0901422.4M002



香港特別行政區政府知識產權署外觀設計註冊處

The Government of the Hong Kong Special Administrative Region

Designs Registry, Intellectual Property Department

根據註冊外觀設計規則第 31 條刪除的註冊外觀設計。各組記項按註冊外觀設計刪除日期及註冊編號先後次序排列。

Registered designs removed under section 31 of the Registered Designs Rules. Entries are listed below under their removal dates.

06-09-2024 - 11-09-2024

06-09-2024

1913116.2

1913117.4

1913118.6

1913121.2

10-09-2024

0410443.4

0900347.4

1400367.3M001

1400367.3M005

1400368.5M004

1400368.5M013

1400368.5M014

1400370.9M006

1400370.9M009

1400370.9M012

1400371.1

1400372.3

1400373.5

1400375.0

11-09-2024

1400378.6M001

1400379.8M001

1400379.8M002

1400379.8M003

1400385.1M001

1400385.1M002

1400385.1M003

1400385.1M004

1913122.4

1913127.5M001

1913127.5M002