

香港知識產權公報

Hong Kong Intellectual Property Journal

2025年3月28日

28 March 2025

目錄 Contents

根據註冊外觀設計條例第 25 條註冊的外觀設計

Designs Registered under section 25 of the Registered Designs Ordinance

按註冊編號排列

Arranged by Registration Number

根據註冊外觀設計條例(第 522 章)公布的其他公告

Other Notices Published under the Registered Designs Ordinance (Cap. 522)

根據註冊外觀設計條例第 28 條，註冊外觀設計因未繳續期費而停止有效

Registered designs ceased through non-payment of renewal fees under section 28 of the Registered Designs Ordinance

根據註冊外觀設計規則第 31 條刪除的註冊外觀設計

Registered designs removed under section 31 of the Registered Designs Rules

以下事項沒有記錄

No Records for the Following Matters

根據註冊外觀設計條例第 30 條放棄的外觀設計的註冊

Surrender of Registration of Design under section 30 of the Registered Designs Ordinance

根據註冊外觀設計規則第 37 條，向處長作出轉介

Reference to Registrar under section 37 of the Registered Designs Rules

根據註冊外觀設計條例第 45 條，撤銷註冊

Revocation of Registration under section 45 of the Registered Designs Ordinance

根據註冊外觀設計規則第 46 條，向法院作出轉介

Reference to Court under section 46 of the Registered Designs Rules

根據註冊外觀設計規則第 63 條對不符合規定之處作出糾正

Rectification of Irregularities under section 63 of the Registered Designs Rules

根據註冊外觀設計條例第 66 條，糾正註冊紀錄冊

Rectification of Register under section 66 of the Registered Designs Ordinance

根據註冊外觀設計條例第 67 條 更正註冊紀錄冊內的錯誤

Correction of errors in Register under section 67 of the Registered Designs Ordinance

根據註冊外觀設計條例第 67 及 76 條，更正註冊紀錄冊內及已提交文件中的錯誤

Correction of Errors in Register and in Filed Documents under sections 67 and 76 of the Registered Designs Ordinance

根據註冊外觀設計條例第 76 條，更正已提交文件中的錯誤

Correction of errors in filed documents under section 76 of the Registered Designs Ordinance

勘誤

Corrigendum

註冊外觀設計公告註釋

Notes on advertisements of registration of designs

方括號表示下列資料：

Square brackets indicate the following data：

[11] 註冊編號 Registration number / 聯合王國註冊編號 United Kingdom registration number

[15] 註冊日期 Registration date / 當作註冊日期 Deemed registration date / 聯合王國註冊日期 United Kingdom registration date

[17] 註冊有效期屆滿日期 Expiry date of the period of registration

[22] 提交日期 Filing date / 當作提交日期 Deemed filing date / 聯合王國提交日期 United Kingdom filing date

[30] 聲稱享有的優先權（提交日期 / 巴黎公約國或世界貿易組織成員 / 申請編號） Priority claimed (filing date / Paris Convention country or WTO member / application number)

[51] 國際外觀設計分類號（洛迦諾分類號） International Classification of designs (Locarno Classification)

[54] 物品 Article

[55] 外觀設計的表述 Representation of the design

[62] 分開前的申請編號及提交日期 Application number before division and filing date

[66] 過往註冊的聯繫外觀設計註冊編號 / 日期 Registration No. / Date of Previous Registration for Association

[72] 設計人 Designer

[73] 擁有人姓名和地址 Name and address of the owner

[74] 代理人 Agent /送達地址 Address for service



香港特別行政區政府知識產權署外觀設計註冊處
The Government of the Hong Kong Special Administrative Region
Designs Registry, Intellectual Property Department

根據註冊外觀設計條例第 25 條註冊的外觀設計

Designs registered under section 25 of the Registered Designs Ordinance

按註冊編號排列

Arranged by Registration Number

[11] 2422736.5

[15] 24-01-2024

[51] Cl. 11-03

[54] 獎座

Plaque award

[73] 國鑫獎品及禮品有限公司

KK TROPHY & GIFTS COMPANY LIMITED

Flat D, 16/F, Block 7,

Richland Gardens, 80 Wang Kwong Road,

Kowloon Bay, Kowloon, Hong Kong

[74] CONPAK INTELLECTUAL PROPERTY LIMITED

Rooms 05-15, 13A/F, South Tower,

World Finance Centre, Harbour City,

17 Canton Road,

Tsim Sha Tsui, Kowloon, Hong Kong



[11] 2422737.7

[15] 24-01-2024

[51] Cl. 11-03

[54] 獎座

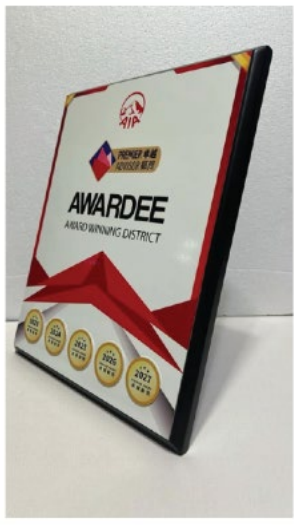
Plaque award

[73] 國鑫獎品及禮品有限公司

KK TROPHY & GIFTS COMPANY LIMITED
Flat D, 16/F, Block 7,
Richland Gardens, 80 Wang Kwong Road,
Kowloon Bay, Kowloon, Hong Kong

[74] CONPAK INTELLECTUAL PROPERTY LIMITED

Rooms 05-15, 13A/F, South Tower,
World Finance Centre, Harbour City,
17 Canton Road,
Tsim Sha Tsui, Kowloon, Hong Kong



[11] 2423806.5M001

[15] 02-08-2024

[30] 15-07-2024 / NO, CN, SG, GB, US, EU, JP, KR / WIPO150440

[51] Cl. 14-04

[54] 用於顯示屏或其部分的圖形用戶界面

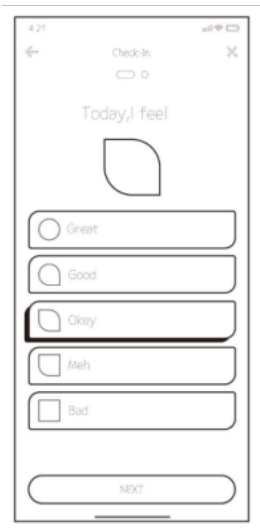
Graphical user interface for a display screen or portion thereof

[73] Otsuka Holdings Co., Ltd.

2-9 Kanda-Tsukasamachi,
Chiyoda-ku, 101-0048 Tokyo,
JAPAN

[74] CHINA PATENT AGENT (HONG KONG) LIMITED

22/F, Great Eagle Centre,
23 Harbour Road, Wanchai,
Hong Kong



[11] 2423806.5M002

[15] 02-08-2024

[30] 15-07-2024 / NO, CN, SG, GB, US, EU, JP, KR / WIPO150443

[51] C1. 14-04

[54] 用於顯示屏或其部分的圖形用戶界面

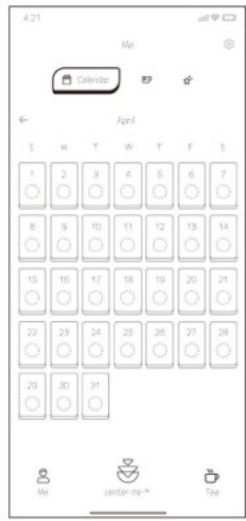
Graphical user interface for a display screen or portion thereof

[73] Otsuka Holdings Co., Ltd.
2-9 Kanda-Tsukasamachi,
Chiyoda-ku, 101-0048 Tokyo,
JAPAN

[74] CHINA PATENT AGENT (HONG KONG) LIMITED
22/F, Great Eagle Centre,
23 Harbour Road, Wanchai,
Hong Kong



- [11] 2423806.5M003
- [15] 02-08-2024
- [30] 15-07-2024 / NO, CN, SG, GB, US, EU, JP, KR / WIPO150445
- [51] C1. 14-04
- [54] 用於顯示屏或其部分的圖形用戶界面
Graphical user interface for a display screen or portion thereof
- [73] Otsuka Holdings Co., Ltd.
2-9 Kanda-Tsukasamachi,
Chiyoda-ku, 101-0048 Tokyo,
JAPAN
- [74] CHINA PATENT AGENT (HONG KONG) LIMITED
22/F, Great Eagle Centre,
23 Harbour Road, Wanchai,
Hong Kong



- [11] 2424086.7M001
- [15] 23-09-2024
- [51] C1. 3-01
- [54] 裝飾物
Charm
- [73] Casetagram Limited
18/F, NEO,
123 Hoi Bun Road, Kwun Tong, Kowloon,
HONG KONG
- [74] Casetagram Limited
18/F, NEO,
123 Hoi Bun Road, Kwun Tong, Kowloon,
Hong Kong



[11] 2424086.7M002

[15] 23-09-2024

[30] 12-09-2024 / CN / 2024305833834

[51] Cl. 3-01

[54] 裝飾釦

Charm hook

[73] 殼子特玩有限公司

Casetagram Limited

18/F, NEO,

123 Hoi Bun Road, Kwun Tong, Kowloon,

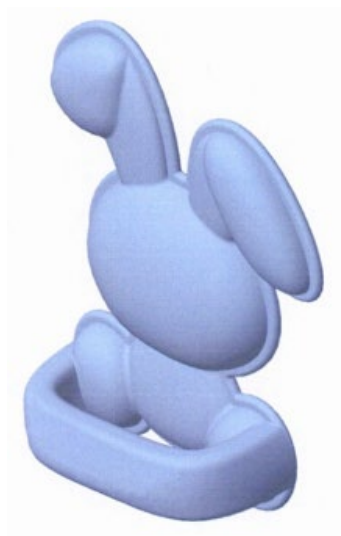
HONG KONG

[74] Casetagram Limited

18/F, NEO,

123 Hoi Bun Road, Kwun Tong, Kowloon,

Hong Kong



[11] 2424086.7M003

[15] 23-09-2024

[30] 12-09-2024 / CN / 2024305834697

[51] Cl. 3-01

[54] 裝飾釘

Charm hook

[73] 殼子特玩有限公司

Casetagram Limited

18/F, NEO,

123 Hoi Bun Road, Kwun Tong, Kowloon,

HONG KONG

[74] Casetagram Limited

18/F, NEO,

123 Hoi Bun Road, Kwun Tong, Kowloon,

Hong Kong



[11] 2424103.4

[15] 25-09-2024

[30] 25-03-2024 / EU / 015054687-0001

[51] Cl. 9-01

[54] 瓶

Bottle

[73] ISDIN, S.A.

CALLE PROVENÇALS 33,

08019 BARCELONA,

SPAIN

[74] WENPING PATENT & TRADE MARK AGENT LIMITED

1701, Tung Wai Commercial Building,

111 Gloucester Road,

Hong Kong



[11] 2424229.1

[15] 10-10-2024

[51] Cl. 21-01

[54] 獅子公仔鎖匙鏈
Lion doll key chain

[73] 林培堅以香港大學研究生會之名營業
LIN PEIJIAN TRADING AS POSTGRADUATE STUDENT ASSOCIATION OF THE
UNIVERSITY OF HONG KONG
香港
薄扶林香港大學
研究生堂 P408

[74] 王一帆
香港
薄扶林置富花園 7 座
富怡苑 11 層 C 室



[11] 2424243.0M001

[15] 10-10-2024

[51] Cl. 12-16

[54] 巴士的内部佈局

Interior layout of a bus

[73] CITYBUS LIMITED

8 Chong Fu Road,

Chai Wan,

HONG KONG

[74] ELLALAN

26th - 28th Floors, The Hennessy,

256 Hennessy Road, Wanchai,

Hong Kong



[11] 2424243.0M002

[15] 10-10-2024

[51] Cl. 12-16

[54] 巴士的内部佈局

Interior layout of a bus

[73] CITYBUS LIMITED

8 Chong Fu Road,

Chai Wan,

HONG KONG

[74] ELLALAN

26th - 28th Floors, The Hennessy,

256 Hennessy Road, Wanchai,

Hong Kong



[11] 2424283.4

[15] 14-10-2024

[30] 13-04-2024 / CN / 2024302060622

[51] Cl. 6-02

[54] 床具

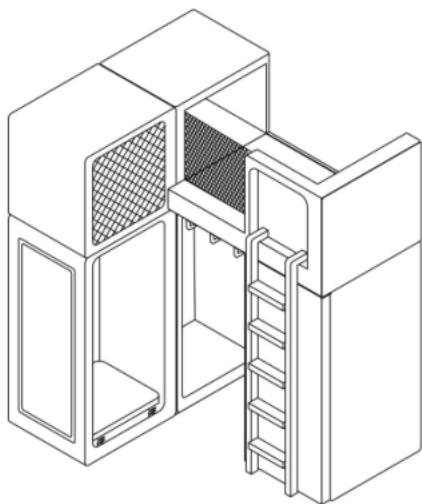
Bed furniture

[73] 簡捷有限公司

Seemple Limited
Units 1605-6, Podium Plaza,
5 Hanoi Road, Tsim Sha Tsui, Kowloon,
HONG KONG

[74] IDEA INTELLECTUAL LIMITED

21st Floor, Skyway Centre,
23 Queen's Road West, Sheung Wan,
Hong Kong



[11] 2424336.8

[15] 18-10-2024

[30] 19-04-2024 / US / 29/938,315

[51] Cl. 14-01

[54] 揚聲器

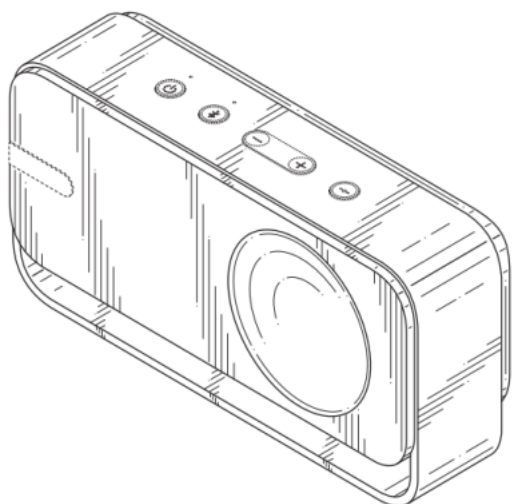
Loudspeaker

[73] Bose Corporation

The Mountain,
Framingham, Massachusetts 01701-9168,
UNITED STATES OF AMERICA

[74] WENPING PATENT & TRADE MARK AGENT LIMITED

1701, Tung Wai Commercial Building,
111 Gloucester Road,
Hong Kong



[11] 2424570.4

[15] 21-11-2024

[30] 22-05-2024 / FR / 20242303

[51] Cl. 3-01

[54] 袋
Bag

[73] LOUIS VUITTON MALLETIER
2 rue du Pont-Neuf,
75001 Paris,
FRANCE

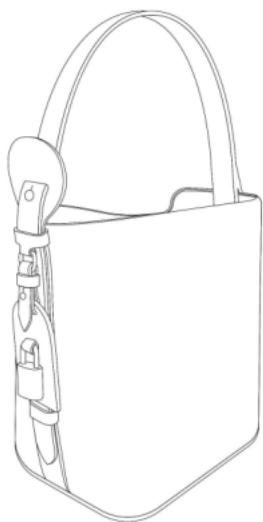
[74] BAKER & MCKENZIE
14TH FLOOR, ONE TAIKOO PLACE,
979 KING'S ROAD, QUARRY BAY,
HONG KONG



- [11] 2424571.6
[15] 21-11-2024
[30] 22-05-2024 / FR / 20242312
[51] Cl. 3-01
[54] 袋
Bag
[73] LOUIS VUITTON MALLETIER
2 rue du Pont-Neuf,
75001 Paris,
FRANCE
[74] BAKER & MCKENZIE
14TH FLOOR, ONE TAIKOO PLACE,
979 KING'S ROAD, QUARRY BAY,
HONG KONG



-
- [11] 2424573.0
[15] 21-11-2024
[30] 29-05-2024 / FR / 20242417
[51] Cl. 3-01
[54] 袋
Bag
[73] LOUIS VUITTON MALLETIER
2 rue du Pont-Neuf,
75001 Paris,
FRANCE
[74] BAKER & MCKENZIE
14TH FLOOR, ONE TAIKOO PLACE,
979 KING'S ROAD, QUARRY BAY,
HONG KONG



[11] 2424574.2

[15] 21-11-2024

[30] 29-05-2024 / FR / 20242418

[51] Cl. 3-01

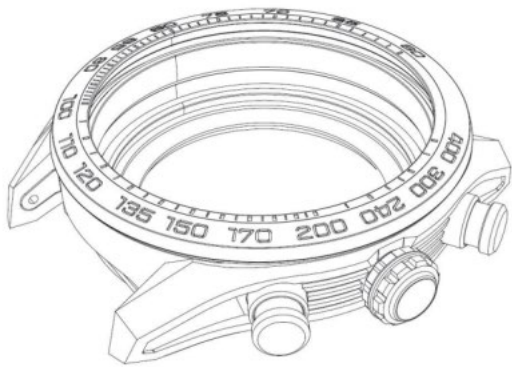
[54] 袋
Bag

[73] LOUIS VUITTON MALLETIER
2 rue du Pont-Neuf,
75001 Paris,
FRANCE

[74] BAKER & MCKENZIE
14TH FLOOR, ONE TAIKOO PLACE,
979 KING'S ROAD, QUARRY BAY,
HONG KONG



- [11] 2424590.6
[15] 25-11-2024
[30] 28-05-2024 / MX, CN, RU, SG, CH, GB, US, TR, EU, JP, KR /
DM/238239
[51] Cl. 10-07
[54] 錶殼
Watch case
[73] LVMH SWISS MANUFACTURES SA
Rue Louis-Joseph Chevrolet 6A,
2300 La Chaux-de-Fonds,
SWITZERLAND
[74] WENPING PATENT & TRADE MARK AGENT LIMITED
1701, Tung Wai Commercial Building,
111 Gloucester Road,
HONG KONG



-
- [11] 2424591.8
[15] 25-11-2024
[30] 28-05-2024 / MX, CN, RU, SG, CH, GB, US, TR, EU, JP, KR /
DM/238237
[51] Cl. 10-07
[54] 錶盤
Watch dial
[73] LVMH SWISS MANUFACTURES SA
Rue Louis-Joseph Chevrolet 6A,
2300 La Chaux-de-Fonds,
SWITZERLAND
[74] WENPING PATENT & TRADE MARK AGENT LIMITED
1701, Tung Wai Commercial Building,
111 Gloucester Road,
HONG KONG



[11] 2424592.0

[15] 25-11-2024

[30] 28-05-2024 / MX, CN, RU, SG, CH, GB, US, TR, EU, JP, KR /
DM/238233

[51] Cl. 10-07

[54] 具有錶盤的錶殼

Watch case with dial

[73] LVMH SWISS MANUFACTURES SA
Rue Louis-Joseph Chevrolet 6A,
2300 La Chaux-de-Fonds,
SWITZERLAND

[74] WENPING PATENT & TRADE MARK AGENT LIMITED
1701, Tung Wai Commercial Building,
111 Gloucester Road,
HONG KONG



[11] 2424593.2

[15] 25-11-2024

[30] 28-05-2024 / MX, CN, RU, SG, CH, GB, US, TR, EU, JP, KR /
DM/238236

[51] Cl. 10-07

[54] 錶盤

Watch dial

[73] LVMH SWISS MANUFACTURES SA

Rue Louis-Joseph Chevrolet 6A,

2300 La Chaux-de-Fonds,

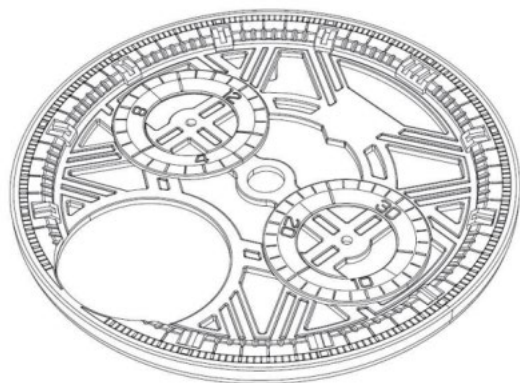
SWITZERLAND

[74] WENPING PATENT & TRADE MARK AGENT LIMITED

1701, Tung Wai Commercial Building,

111 Gloucester Road,

HONG KONG



[11] 2424640.3M001

[15] 29-11-2024

[30] 30-05-2024 / GB / 6369323

[51] Cl. 11-01

[54] 培育鑽石

Lab grown diamond

[73] Lightbox Jewelry Ltd

17 Charterhouse Street,

London EC1N 6RA,

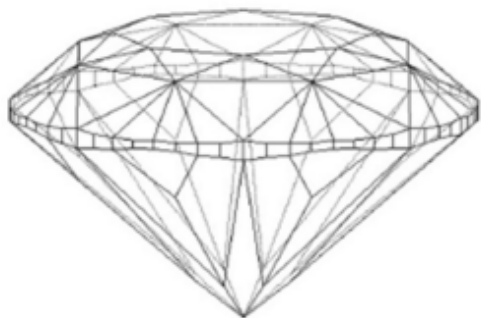
UNITED KINGDOM

[74] DEACONS

5th Floor,

Alexandra House, Central,

HONG KONG



[11] 2424640.3M002

[15] 29-11-2024

[30] 30-05-2024 / GB / 6369324

[51] Cl. 11-01

[54] 培育鑽石

Lab grown diamond

[73] Lightbox Jewelry Ltd

17 Charterhouse Street,

London EC1N 6RA,

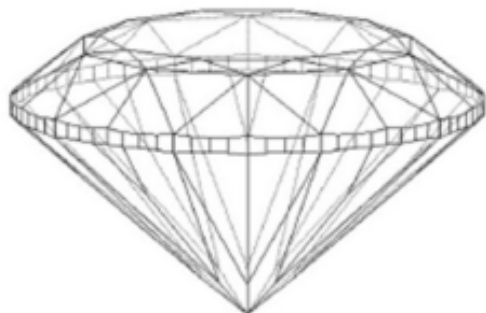
UNITED KINGDOM

[74] DEACONS

5th Floor,

Alexandra House, Central,

HONG KONG



[11] 2424640.3M003

[15] 29-11-2024

[30] 30-05-2024 / GB / 6369325

[51] Cl. 11-01

[54] 培育鑽石

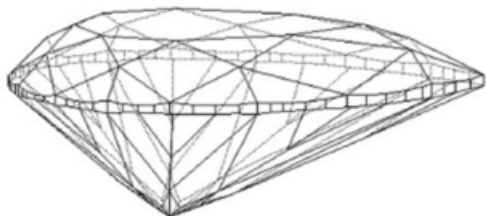
Lab grown diamond

[73] Lightbox Jewelry Ltd

17 Charterhouse Street,

London EC1N 6RA,
UNITED KINGDOM

[74] DEACONS
5th Floor,
Alexandra House, Central,
HONG KONG



[11] 2424640.3M004

[15] 29-11-2024

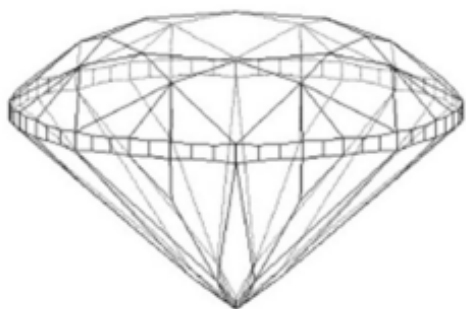
[30] 30-05-2024 / GB / 6369326

[51] Cl. 11-01

[54] 培育鑽石
Lab grown diamond

[73] Lightbox Jewelry Ltd
17 Charterhouse Street,
London EC1N 6RA,
UNITED KINGDOM

[74] DEACONS
5th Floor,
Alexandra House, Central,
HONG KONG



[11] 2424640.3M005

[15] 29-11-2024

[30] 30-05-2024 / GB / 6369327

[51] Cl. 11-01

[54] 培育鑽石

Lab grown diamond

[73] Lightbox Jewelry Ltd

17 Charterhouse Street,

London EC1N 6RA,

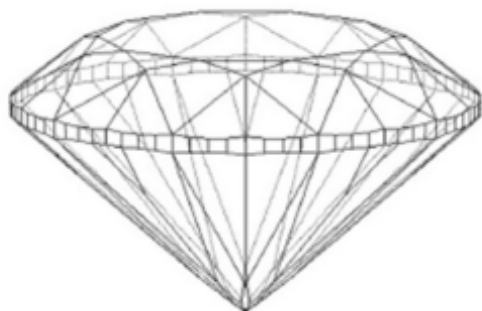
UNITED KINGDOM

[74] DEACONS

5th Floor,

Alexandra House, Central,

HONG KONG



[11] 2424640.3M006

[15] 29-11-2024

[30] 30-05-2024 / GB / 6369328

[51] Cl. 11-01

[54] 培育鑽石

Lab grown diamond

[73] Lightbox Jewelry Ltd

17 Charterhouse Street,

London EC1N 6RA,

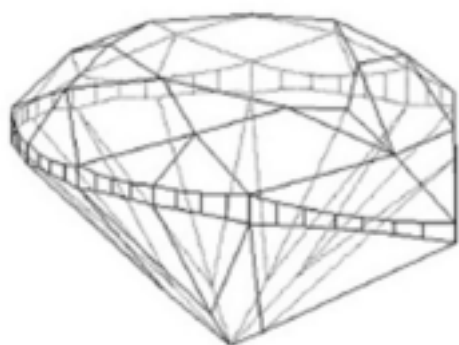
UNITED KINGDOM

[74] DEACONS

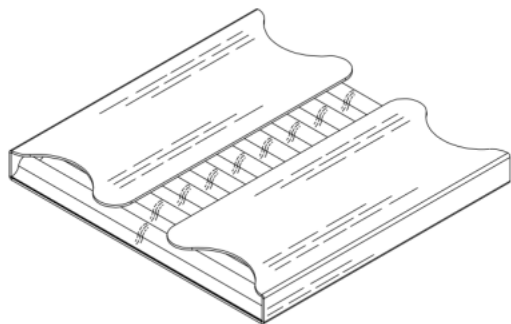
5th Floor,

Alexandra House, Central,

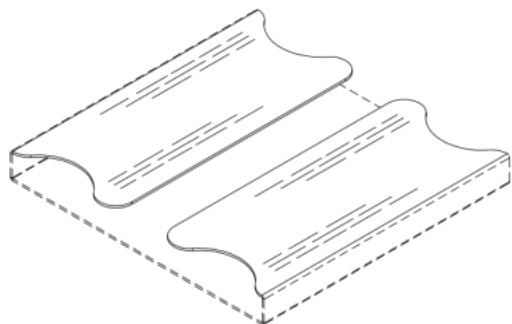
HONG KONG



- [11] 2424759.5M001
[15] 17-12-2024
[30] 19-06-2024 / TW / 113303076
[51] Cl. 9-03
[54] 包裝盒內襯
Lining for packaging box
[73] 邱豫彥
CHIU, YU-YEN
台灣
310016 新竹縣竹東鎮
中興路三段 208-1 號
[74] 中港知識產權有限公司
香港
灣仔告士打道 151 號
資本中心 15 樓 1502 室



-
- [11] 2424759.5M002
[15] 17-12-2024
[30] 19-06-2024 / TW / 113303077
[51] Cl. 9-03
[54] 包裝盒內襯
Lining for packaging box
[73] 邱豫彥
CHIU, YU-YEN
台灣
310016 新竹縣竹東鎮
中興路三段 208-1 號
[74] 中港知識產權有限公司
香港
灣仔告士打道 151 號
資本中心 15 樓 1502 室



[11] 2424774.6M001

[15] 18-12-2024

[51] Cl. 11-01

[54] 珠寶飾品
Jewellery ornament

[73] 周大福珠宝金行(深圳)有限公司
CHOW TAI FOOK JEWELLERY (SHENZHEN) CO., LTD.
中國
广东省深圳市盐田区深盐路
黄金珠宝大厦 12 楼 A 座

[74] 中一聯合國際知識產權有限公司
香港
九龍觀塘興業街 20 號
聯合興業工業大廈 5 樓 A26 室



[11] 2424774.6M002

[15] 18-12-2024

[51] Cl. 11-01

[54] 珠寶飾品
Jewellery ornament

[73] 周大福珠宝金行(深圳)有限公司
CHOW TAI FOOK JEWELLERY (SHENZHEN) CO., LTD.
中國
广东省深圳市盐田区深盐路
黄金珠宝大厦 12 楼 A 座

[74] 中一聯合國際知識產權有限公司
香港
九龍觀塘興業街 20 號
聯合興業工業大廈 5 樓 A26 室



[11] 2424774.6M003

[15] 18-12-2024

[51] Cl. 11-01

[54] 珠寶飾品
Jewellery ornament

[73] 周大福珠宝金行(深圳)有限公司
CHOW TAI FOOK JEWELLERY (SHENZHEN) CO., LTD.
中國
广东省深圳市盐田区深盐路
黄金珠宝大厦 12 楼 A 座

[74] 中一聯合國際知識產權有限公司
香港
九龍觀塘興業街 20 號
聯合興業工業大廈 5 樓 A26 室



[11] 2424778.5

[15] 19-12-2024

[51] Cl. 11-01

[54] 珠寶飾品

Jewellery ornament

[73] 周大福珠宝金行(深圳)有限公司

CHOW TAI FOOK JEWELLERY (SHENZHEN) CO., LTD.

中國

广东省深圳市盐田区深盐路

黄金珠宝大厦 12 楼 A 座

[74] 中一聯合國際知識產權有限公司

香港

九龍觀塘興業街 20 號

聯合興業工業大廈 5 樓 A26 室



[11] 2424779.7M001

[15] 19-12-2024

[51] Cl. 11-01

[54] 珠寶飾品

Jewellery ornament

[73] 周大福珠宝金行(深圳)有限公司
CHOW TAI FOOK JEWELLERY (SHENZHEN) CO., LTD.
中國
广东省深圳市盐田区深盐路
黄金珠宝大厦 12 楼 A 座

[74] 中一聯合國際知識產權有限公司
香港
九龍觀塘興業街 20 號
聯合興業工業大廈 5 樓 A26 室



[11] 2424779.7M002

[15] 19-12-2024

[51] Cl. 11-01

[54] 珠寶飾品

Jewellery ornament

[73] 周大福珠宝金行(深圳)有限公司
CHOW TAI FOOK JEWELLERY (SHENZHEN) CO., LTD.
中國
广东省深圳市盐田区深盐路
黄金珠宝大厦 12 楼 A 座

[74] 中一聯合國際知識產權有限公司
香港
九龍觀塘興業街 20 號
聯合興業工業大廈 5 樓 A26 室



[11] 2424779.7M003

[15] 19-12-2024

[51] Cl. 11-01

[54] 珠寶飾品
Jewellery ornament

[73] 周大福珠寶金行(深圳)有限公司
CHOW TAI FOOK JEWELLERY (SHENZHEN) CO., LTD.
中國
廣東省深圳市鹽田區深鹽路
黃金珠寶大廈 12 樓 A 座

[74] 中一聯合國際知識產權有限公司
香港
九龍觀塘興業街 20 號
聯合興業工業大廈 5 樓 A26 室



[11] 2424779.7M004

[15] 19-12-2024

[51] Cl. 11-01

[54] 珠寶飾品

Jewellery ornament

[73] 周大福珠宝金行(深圳)有限公司

CHOW TAI FOOK JEWELLERY (SHENZHEN) CO., LTD.

中國

广东省深圳市盐田区深盐路

黄金珠宝大厦12楼A座

[74] 中一聯合國際知識產權有限公司

香港

九龍觀塘興業街20號

聯合興業工業大廈5樓A26室



[11] 2424793.6

[15] 23-12-2024

[51] Cl. 14-04

[54] 應用於屏幕顯示的圖形用戶界面

Graphical user interface (GUI) for screen display

[73] Compremium AG

Worbstrasse 46,

3074 Muri b. Bern,

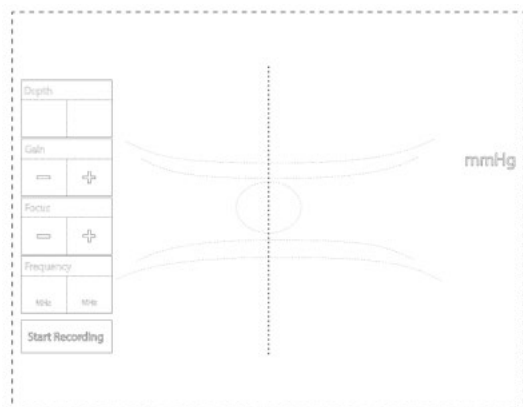
SWITZERLAND

[74] MINTERELLISON LLP

43/F, Hopewell Centre,

183 Queen's Road East,

HONG KONG



[11] 2424802.7

[15] 24-12-2024

[51] Cl. 11-01

[54] 珠寶飾品
Jewellery ornament

[73] 周大福珠宝金行(深圳)有限公司
CHOW TAI FOOK JEWELLERY (SHENZHEN) CO., LTD.
中國
广东省深圳市盐田区深盐路
黄金珠宝大厦 12 楼 A 座

故宫博物院
THE PALACE MUSEUM
中國
北京市东城区
景山前街 4 号

[74] 中一聯合國際知識產權有限公司
香港
九龍觀塘興業街 20 號
聯合興業工業大廈 5 樓 A26 室



[11] 2424816.7

[15] 27-12-2024

[30] 04-07-2024 / JP / 2024-013817

[51] Cl. 9-05

[54] 包裝容器

Packaging container

[73] 花王株式会社

Kao Kabushiki Kaisha (Kao Corporation)

14-10, Nihonbashi Kayaba-cho 1-chome,

Chuo-ku, Tokyo,

JAPAN

[74] CHINAHONGKONG PATENT LIMITED

1502, 15/F, Capital Centre,

151 Gloucester Road, Wanchai,

HONG KONG



[11] 2424836.9M001

[15] 31-12-2024

[30] 02-07-2024 / AU / 202414505

[51] Cl. 14-06

[54] 用於移動電子裝置的支架

Mount for a mobile electronic device

[73] ANNEX PRODUCTS PTY LTD

Suite 6A, Level 3,

299 Toorak Road,

South Yarra VIC 3141,

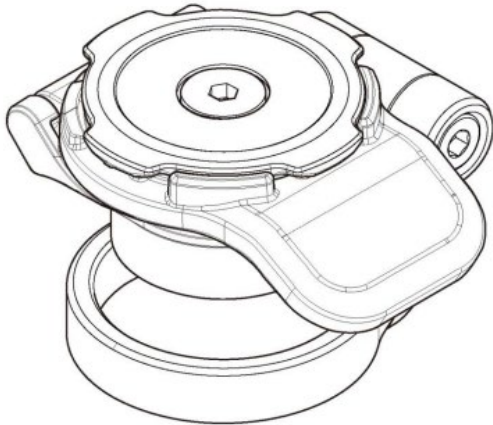
AUSTRALIA

[74] CHINAHONGKONG IP LIMITED

1502, 15/F, Capital Centre,

151 Gloucester Road,

Wanchai, HONG KONG



[11] 2424836.9M002

[15] 31-12-2024

[30] 02-07-2024 / AU / 202414505

[51] Cl. 14-06

[54] 用於移動電子裝置的支架

Mount for a mobile electronic device

[73] ANNEX PRODUCTS PTY LTD

Suite 6A, Level 3,

299 Toorak Road,

South Yarra VIC 3141,

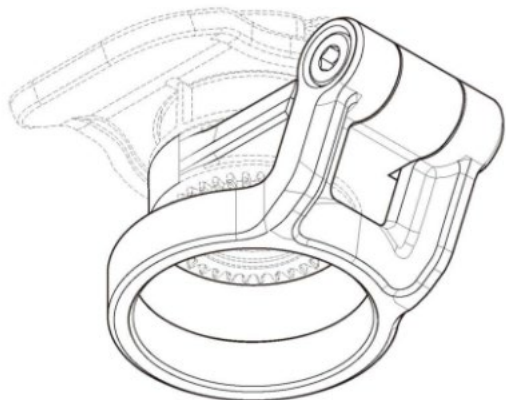
AUSTRALIA

[74] CHINAHONGKONG IP LIMITED

1502, 15/F, Capital Centre,

151 Gloucester Road,

Wanchai, HONG KONG



[11] 2524870.1

[15] 14-01-2025

[51] Cl. 11-01

[54] 耳環

Earrings

[73] 嘉盈珠寶有限公司

Charming Jewellery Limited

Unit 327-328, 3/F, Block B,

Focal Industrial Centre,

No. 21 Man Lok Street, Hunghom,

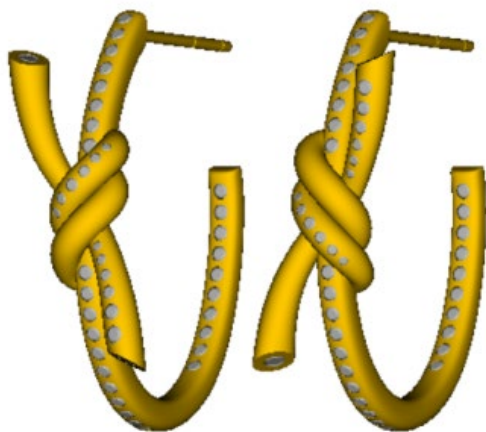
Kowloon, HONG KONG

[74] CHINAHONGKONG IP LIMITED

1502, 15/F, Capital Centre,

151 Gloucester Road,

Wanchai, HONG KONG



[11] 2524872.5

[15] 15-01-2025

[30] 23-07-2024 / CA, MX, MC, MA, NO, CN, SG, CH, GB, US, VN, TR,
EU, JP, KR / WIPO151012

[51] Cl. 11-01

[54] 手鐲

Bracelet

[73] HERMES SELLIER

24, Rue du Faubourg Saint-Honoré,

75008 PARIS,

FRANCE

[74] DEACONS

5th Floor,

Alexandra House,

Central, HONG KONG



[11] 2524886.5

[15] 17-01-2025

[30] 18-07-2024 / IL / 72822

[51] Cl. 11-01

[54] 寶石

Gemstone

[73] LILI DIAMONDS, A REGISTERED PARTNERSHIP

1 Jabotinsky,

Ramat Gan 5252001,

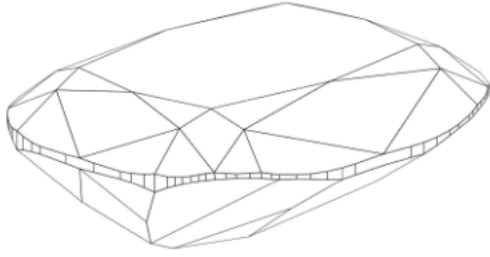
ISRAEL

[74] WAN HUI DA (ASIA PACIFIC) CONSULTING LIMITED

Suite 1903, Central Plaza,

18 Harbour Road,

HONG KONG



[11] 2524911.9M001

[15] 22-01-2025

[51] Cl. 17-04

[54] 樂器

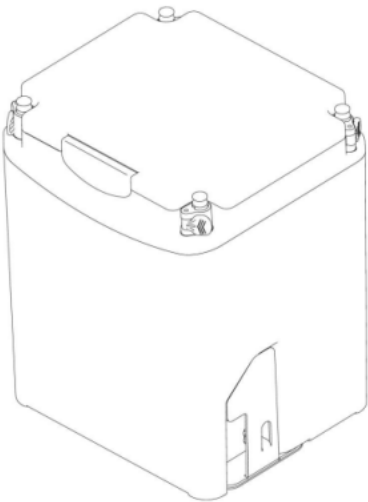
Musical instrument

[73] Nuvo Instrumental (Asia) Limited

Unit 7A, Tower 1, The Merton,
38 New Praya, Kennedy Town,
HONG KONG

[74] LETTERS & THOO LIMITED

Suite 1001-1003, 10/F,
Prosperity Millennia Plaza,
663 King's Road, Quarry Bay,
HONG KONG



[11] 2524911.9M002

[15] 22-01-2025

[51] Cl. 17-04

[54] 樂器的一部分

Part of musical instrument

[73] Nuvo Instrumental (Asia) Limited
Unit 7A, Tower 1, The Merton,
38 New Praya, Kennedy Town,
HONG KONG

[74] LETTERS & THOO LIMITED
Suite 1001-1003, 10/F,
Prosperity Millennia Plaza,
663 King's Road, Quarry Bay,
HONG KONG



[11] 2524951.3M001

[15] 24-01-2025

[30] 09-08-2024 / EU / 015069089-0007

[51] Cl. 27-07

[54] 電子煙

Electronic cigarette

[73] Philip Morris Products S.A.

Quai Jeanrenaud 3,

CH-2000 Neuchâtel,

SWITZERLAND

[74] CLT PATENT & TRADEMARK (H.K.) LIMITED

Unit 09, 34/F., Office Tower,

Convention Plaza, 1 Harbour Road,

Wanchai, HONG KONG



[11] 2524951.3M002

[15] 24-01-2025

[30] 09-08-2024 / EU / 015069089-0008

[51] Cl. 27-07

[54] 電子煙

Electronic cigarette

[73] Philip Morris Products S.A.

Quai Jeanrenaud 3,

CH-2000 Neuchâtel,

SWITZERLAND

[74] CLT PATENT & TRADEMARK (H.K.) LIMITED

Unit 09, 34/F., Office Tower,

Convention Plaza, 1 Harbour Road,

Wanchai, HONG KONG



[11] 2524977.8M001

[15] 06-02-2025

[51] Cl. 9-03

[54] 包裝盒

Packaging box

[73] 香港永明藥業有限公司

香港

新界荃灣沙咀道 381-389 號

榮亞工業大廈 15 樓 B 座

[74] 香港永明藥業有限公司

香港

新界荃灣沙咀道 381-389 號

榮亞工業大廈 15 樓 B 座



[11] 2524977.8M002

[15] 06-02-2025

[51] Cl. 9-03

[54] 包裝盒

Packaging box

[73] 香港永明藥業有限公司

香港

新界荃灣沙咀道 381-389 號

榮亞工業大廈 15 樓 B 座

[74] 香港永明藥業有限公司

香港

新界荃灣沙咀道 381-389 號

榮亞工業大廈 15 樓 B 座



[11] 2524978.0

[15] 06-02-2025

[51] Cl. 3-01

[54] 卡套
Wallet

[73] Casetagram Limited
18/F, NEO, 123 Hoi Bun Road,
Kwun Tong, Kowloon,
HONG KONG

[74] Casetagram Limited
18/F, NEO, 123 Hoi Bun Road,
Kwun Tong, Kowloon,
HONG KONG



[11] 2524979.2

[15] 06-02-2025

[51] Cl. 13-02

[54] 移動電源

Power bank

[73] Casetagram Limited

18/F, NEO, 123 Hoi Bun Road,

Kwun Tong, Kowloon,

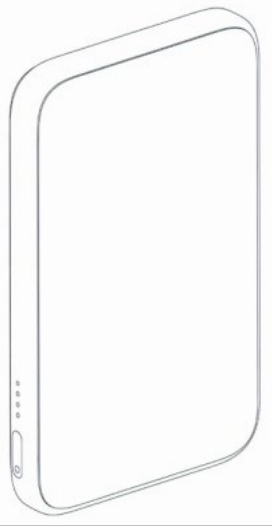
HONG KONG

[74] Casetagram Limited

18/F, NEO, 123 Hoi Bun Road,

Kwun Tong, Kowloon,

HONG KONG



[11] 2524992.9

[15] 11-02-2025

[30] 29-11-2024 / TW / 113306315

[51] Cl. 21-01

[54] 玩具公仔

Toy figure

[73] 相信音樂國際股份有限公司

B'IN MUSIC INTERNATIONAL LIMITED

6F., No. 12, Ln. 33, Guangfu S. Rd.,

Songshan Dist., Taipei City 10563,

TAIWAN

[74] DEACONS

5th Floor, Alexandra House,

Central,

HONG KONG



[11] 2524993.1

[15] 11-02-2025

[51] Cl. 9-03

[54] 香煙包裝盒
Cigarette packaging box

[73] 厦門三貫商貿有限公司
Xiamen Sanguan Trading Co.,Ltd.
中國
福建省厦門市思明區
台東路 66 號 201 單元 A 區

[74] HONG KONG DECENT INTELLECTUAL PROPERTY AGENT LIMITED
香港
文咸東街 78 號
華東商業大廈三樓



- [11] 2524994.3
[15] 11-02-2025
[30] 29-11-2024 / TW / 113306318
[51] Cl. 21-01
[54] 玩具公仔
Toy figure
[73] 相信音樂國際股份有限公司
B'IN MUSIC INTERNATIONAL LIMITED
6F., No. 12, Ln. 33, Guangfu S. Rd.,
Songshan Dist., Taipei City 10563,
TAIWAN
[74] DEACONS
5th Floor, Alexandra House,
Central,
HONG KONG



-
- [11] 2525004.6
[15] 12-02-2025
[51] Cl. 26-05
[54] 太陽能燈模件
Solar powered lighting module
[73] MD Studio Limited
17/F., Shun Kwong Commercial Building,
8 Des Voeux Road West, Sheung Wan,
HONG KONG
[74] MD Studio Limited
17 Floor, Shun Kwong Commercial Bldg,
8 Des Voeux Road West, Sheung Wan,
HONG KONG





香港特別行政區政府知識產權署外觀設計註冊處

The Government of the Hong Kong Special Administrative Region

Designs Registry, Intellectual Property Department

根據註冊外觀設計條例第 28 條，下列註冊外觀設計因未繳續期費而停止有效。

各組記項按註冊外觀設計停止有效日期及註冊編號先後次序排列。

Registered designs ceased through non-payment of renewal fees under section 28 of the Registered Designs Ordinance. Entries are listed below under their expiry dates.

27-02-2025 - 05-03-2025

27-02-2025	1500555.4M002	2015690.3M002
2015674.9	1500555.4M003	2015690.3M003
2015676.4M001	1500555.4M004	2015692.7M001
2015676.4M002	1500555.4M005	2015692.7M002
	1500555.4M006	2015694.1M001
01-03-2025	1500556.6M001	2015694.1M002
1500537.6	1500556.6M002	2015694.1M003
1500545.3	1500559.2	2015694.1M004
1500548.9M003	1500560.4	2015694.1M005
1500548.9M006	1500565.5	2015694.1M006
1500548.9M007	1500566.7M001	2015694.1M007
1500548.9M008	1500566.7M002	2015694.1M008
1500548.9M013	2015685.3	2015694.1M009
1500548.9M019	2015687.7	2015694.1M010
1500548.9M027		2015694.1M011
1500548.9M028	03-03-2025	2015694.1M012
1500548.9M036	0500437.1M001	2015694.1M013
1500548.9M037	0500437.1M002	2015694.1M014
1500548.9M047	0500437.1M003	2015694.1M015
1500548.9M048	1000396.0	2015694.1M016
1500548.9M049	1000397.2	2015694.1M017
1500548.9M050	1000402.4M002	2015694.1M018
1500548.9M056	1000402.4M005	2015694.1M019
1500548.9M058	1500570.5M001	2015694.1M020
1500551.5	1500570.5M002	2015695.4
2015678.8	1500571.7M001	2015698.0
2015679.0	1500571.7M002	
2015680.2	1500571.7M003	05-03-2025
2015682.6	1500571.7M004	1500596.0M001
	1500576.8	1500596.0M002
02-03-2025	1500579.4	1500602.4
1000386.9		2015704.4
1000387.1	04-03-2025	2015705.7M001
1500555.4M001	2015690.3M001	2015705.7M002

2015705.7M003

2015705.7M004

2015710.7



香港特別行政區政府知識產權署外觀設計註冊處

The Government of the Hong Kong Special Administrative Region

Designs Registry, Intellectual Property Department

根據註冊外觀設計規則第 31 條刪除的註冊外觀設計。各組記項按註冊外觀設計刪除日期及註冊編號先後次序排列。

Registered designs removed under section 31 of the Registered Designs Rules. Entries are listed below under their removal dates.

07-03-2025 - 13-03-2025

07-03-2025	1914572.9M003	1914610.1
0411912.1M004	1914573.1	1914611.3
1401606.3	1914574.3	
1401610.1M001	1914575.6	12-03-2025
1401610.1M002	1914576.8	1401661.8
1914543.8M002	1914577.0	1401665.7
1914544.0M001	1914578.2	1401666.9M001
1914544.0M002		1401668.3M001
1914545.3M002	09-03-2025	1401668.3M002
1914547.7M001	0901422.4M001	1401669.5
1914547.7M002	0901422.4M002	1401671.9
1914548.9M001	1914579.4M001	1401672.1
1914548.9M002	1914579.4M002	1914613.7
1914553.9	1914579.4M003	1914617.6
1914554.1	1914579.4M004	1914622.6M001
	1914579.4M005	1914622.6M002
08-03-2025	1914580.6	1914622.6M003
0411948.7	1914583.2	1914622.6M004
0901418.6		1914622.6M005
1401613.7	11-03-2025	1914622.6M006
1401621.4	0411986.7	1914622.6M007
1401626.5M001	1401646.7	1914622.6M008
1401626.5M002	1401647.9	
1401626.5M003	1401648.1	13-03-2025
1914561.6	1401649.3	1914626.5
1914564.2M001	1914591.9M001	1914628.9
1914564.2M002	1914591.9M002	
1914570.5M001	1914601.2	
1914570.5M002	1914602.4	
1914570.5M004	1914603.6	
1914571.7M001	1914604.8	
1914571.7M002	1914606.3	
1914572.9M001	1914608.7	
1914572.9M002	1914609.9	