

# 香港知識產權公報

Hong Kong Intellectual Property Journal

2024年11月29日  
29 November 2024



## 目錄 Contents

### 根據註冊外觀設計條例第 25 條註冊的外觀設計

#### **Designs Registered under section 25 of the Registered Designs Ordinance**

按註冊編號排列

Arranged by Registration Number

### 根據註冊外觀設計條例(第 522 章)公布的其他公告

#### **Other Notices Published under the Registered Designs Ordinance (Cap. 522)**

根據註冊外觀設計條例第 28 條，註冊外觀設計因未繳續期費而停止有效

Registered designs ceased through non-payment of renewal fees under section 28 of the Registered Designs Ordinance

根據註冊外觀設計規則第 31 條刪除的註冊外觀設計

Registered designs removed under section 31 of the Registered Designs Rules

### 以下事項沒有記錄

#### **No Records for the Following Matters**

根據註冊外觀設計條例第 30 條放棄的外觀設計的註冊

Surrender of Registration of Design under section 30 of the Registered Designs Ordinance

根據註冊外觀設計規則第 37 條，向處長作出轉介

Reference to Registrar under section 37 of the Registered Designs Rules

根據註冊外觀設計條例第 45 條，撤銷註冊

Revocation of Registration under section 45 of the Registered Designs Ordinance

根據註冊外觀設計規則第 46 條，向法院作出轉介

Reference to Court under section 46 of the Registered Designs Rules

根據註冊外觀設計規則第 63 條對不符合規定之處作出糾正

Rectification of Irregularities under section 63 of the Registered Designs Rules

根據註冊外觀設計條例第 66 條，糾正註冊紀錄冊

Rectification of Register under section 66 of the Registered Designs Ordinance

根據註冊外觀設計條例第 67 條 更正註冊紀錄冊內的錯誤

Correction of errors in Register under section 67 of the Registered Designs Ordinance

根據註冊外觀設計條例第 67 及 76 條，更正註冊紀錄冊內及已提交文件中的錯誤

Correction of Errors in Register and in Filed Documents under sections 67 and 76 of the Registered Designs Ordinance

根據註冊外觀設計條例第 76 條，更正已提交文件中的錯誤

Correction of errors in filed documents under section 76 of the Registered Designs Ordinance

勘誤

Corrigendum

## 註冊外觀設計公告註釋

### Notes on advertisements of registration of designs

方括號表示下列資料：

Square brackets indicate the following data：

[11] 註冊編號 Registration number / 聯合王國註冊編號 United Kingdom registration number

[15] 註冊日期 Registration date / 當作註冊日期 Deemed registration date / 聯合王國註冊日期 United Kingdom registration date

[17] 註冊有效期屆滿日期 Expiry date of the period of registration

[22] 提交日期 Filing date / 當作提交日期 Deemed filing date / 聯合王國提交日期 United Kingdom filing date

[30] 聲稱享有的優先權（提交日期 / 巴黎公約國或世界貿易組織成員 / 申請編號） Priority claimed (filing date / Paris Convention country or WTO member / application number)

[51] 國際外觀設計分類號（洛迦諾分類號） International Classification of designs (Locarno Classification)

[54] 物品 Article

[55] 外觀設計的表述 Representation of the design

[62] 分開前的申請編號及提交日期 Application number before division and filing date

[66] 過往註冊的聯繫外觀設計註冊編號 / 日期 Registration No. / Date of Previous Registration for Association

[72] 設計人 Designer

[73] 擁有人姓名和地址 Name and address of the owner

[74] 代理人 Agent /送達地址 Address for service



香港特別行政區政府知識產權署外觀設計註冊處

The Government of the Hong Kong Special Administrative Region

Designs Registry, Intellectual Property Department

## 根據註冊外觀設計條例第 25 條註冊的外觀設計

### Designs registered under section 25 of the Registered Designs Ordinance

按註冊編號排列

Arranged by Registration Number

[11] 2321901.3

[15] 17-08-2023

[51] Cl. 7-02

[54] 全自動咖啡機

Coffee machine

[73] 東保集團有限公司

Tunbow Group Limited

香港葵涌

青山公路 403 號

匯城集團大廈 25A 室

[74] MS. Peony CHO

香港葵涌

青山公路 403 號

匯城集團大廈 25A 室



---

[11] 2423151.4M001

[15] 17-04-2024

- [51] Cl. 6-13  
Cl. 6-01  
Cl. 6-09
- [54] 用於巴士座椅、墊子、毛巾、毯子和其他覆蓋材料的圖案設計  
Pattern design for bus seats, cushions, towels, blankets, and other covering materials
- [73] CITYBUS LIMITED  
8 Chong Fu Road,  
Chai Wan,  
Hong Kong
- [74] ELLALAN  
26th - 28th Floors, The Hennessy,  
256 Hennessy Road, Wanchai,  
Hong Kong



- 
- [11] 2423151.4M002
- [15] 17-04-2024
- [51] Cl. 6-13  
Cl. 6-01  
Cl. 6-09
- [54] 用於巴士座椅、墊子、毛巾、毯子和其他覆蓋材料的圖案設計  
Pattern design for bus seats, cushions, towels, blankets, and other covering materials
- [73] CITYBUS LIMITED  
8 Chong Fu Road,  
Chai Wan,  
Hong Kong
- [74] ELLALAN  
26th - 28th Floors, The Hennessy,  
256 Hennessy Road, Wanchai,  
Hong Kong



---

[11] 2423182.9

[15] 21-04-2024

[51] Cl. 14-06

[54] 珍珠手機腰帶

Pearl mobile phone belt

[73] 李洛林

Lee Lok Lam

Unit 2505, 25/F., Billion Plaza,  
8 Cheung Yue Street, Cheung Sha Wan, Kowloon,  
Hong Kong

[74] TMCR INTELLECTUAL PROPERTY LIMITED

Unit 2505, 25/F., Billion Plaza,  
8 Cheung Yue Street, Cheung Sha Wan, Kowloon,  
Hong Kong





[11] 2423290.8

[15] 09-05-2024

[51] Cl. 8-08

[54] 安裝架

Mounting rack

[73] 陳鍾鴻

Chan Chung Hung

香港

九龍油塘高輝道 17 號

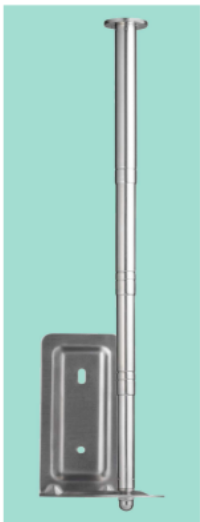
油塘工業城 A2 座 13 樓 1313-17 室

[74] 卓遠知識產權有限公司

香港上環

皇后大道中 181 號

新紀元廣場低座 24 樓 2406B 室



---

[11] 2423329.2M001

[15] 17-05-2024

[30] 17-11-2023 / IT / 402023000003354

[51] Cl. 6-06

[54] 家具部件

Furniture element

[73] UNIFOR S.P.A.

Via Isonzo, 1,

I-22078 Turate (CO),

Italy

[74] BIRD & BIRD

6/F, The Annex, Central Plaza,

18 Harbour Road,

Hong Kong



---

[11] 2423329.2M002

[15] 17-05-2024

[30] 17-11-2023 / IT / 402023000003354

[51] Cl. 6-06

[54] 家具部件

Furniture element

[73] UNIFOR S.P.A.

Via Isonzo, 1,

I-22078 Turate (CO),

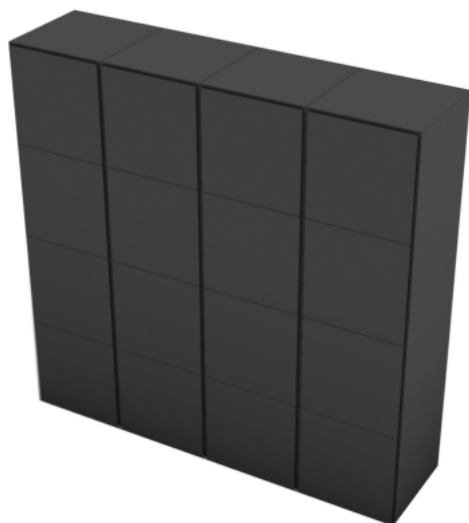
Italy

[74] BIRD & BIRD

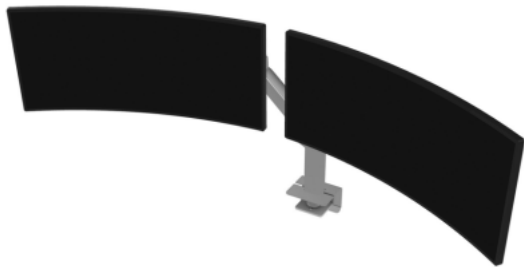
6/F, The Annex, Central Plaza,

18 Harbour Road,

Hong Kong



- [11] 2423329.2M003  
[15] 17-05-2024  
[30] 17-11-2023 / IT / 402023000003354  
[51] Cl. 6-06  
[54] 螢幕部件 (家具)  
Parts of screens (furniture)  
[73] UNIFOR S.P.A.  
Via Isonzo, 1,  
I-22078 Turate (CO),  
Italy  
[74] BIRD & BIRD  
6/F, The Annex, Central Plaza,  
18 Harbour Road,  
Hong Kong



- 
- [11] 2423388.6M001  
[15] 27-05-2024  
[51] Cl. 28-03  
[54] 按摩器  
Massager  
[73] 可絲(香港)有限公司  
KISSKY (HK) LIMITED  
WORKSHIP B4-02, 1/F., BLK B, TONIC IND CTR,  
19 LAM HING ST, KOWLOON BAY,  
HONG KONG  
[74] ACCOLADE IP LIMITED  
Unit 2406B, 24/F, Low Block,  
Grand Millennium Plaza,  
181 Queen's Road Central,  
Sheung Wan, Hong Kong



---

[11] 2423388.6M002

[15] 27-05-2024

[51] Cl. 28-03

[54] 按摩器

Massager

[73] 可絲(香港)有限公司

KISSKY (HK) LIMITED

WORKSHIP B4-02, 1/F., BLK B, TONIC IND CTR,

19 LAM HING ST, KOWLOON BAY,

HONG KONG

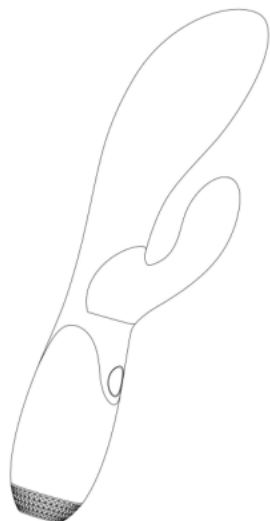
[74] ACCOLADE IP LIMITED

Unit 2406B, 24/F, Low Block,

Grand Millennium Plaza,

181 Queen's Road Central,

Sheung Wan, Hong Kong



[11] 2423423.1

[15] 31-05-2024

[30] 21-05-2024 / SG / 30202400472U

[51] Cl. 6-01

[54] 按摩沙發

Massage sofa

[73] OSIM INTERNATIONAL PTE. LTD.

65 UBI AVENUE 1,

OSIM HEADQUARTERS 408939,

SINGAPORE

[74] BENNY KONG & TSAI

Unit 19B, Overseas Trust Bank Building,

No. 160 Gloucester Road, Wanchai,

Hong Kong



---

[11] 2423424.3

[15] 31-05-2024

[30] 21-05-2024 / SG / 30202400473P

[51] Cl. 6-01

[54] 按摩沙發

Massage sofa

[73] OSIM INTERNATIONAL PTE. LTD.

65 UBI AVENUE 1,

OSIM HEADQUARTERS 408939,

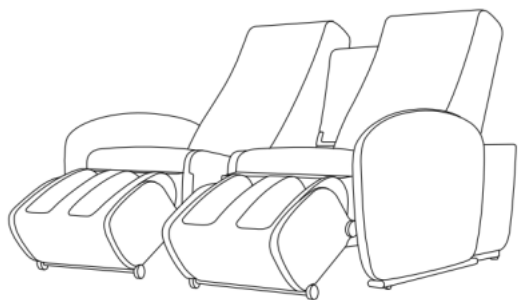
SINGAPORE

[74] BENNY KONG & TSAI

Unit 19B, Overseas Trust Bank Building,

No. 160 Gloucester Road, Wanchai,

Hong Kong



[11] 2423443.3

[15] 03-06-2024

[30] 16-05-2024 / CN / 2024302903708

[51] Cl. 6-01

[54] 坐墊

Cushion

[73] 東莞市眾羽紡織有限公司

中國

廣東省東莞市虎門鎮

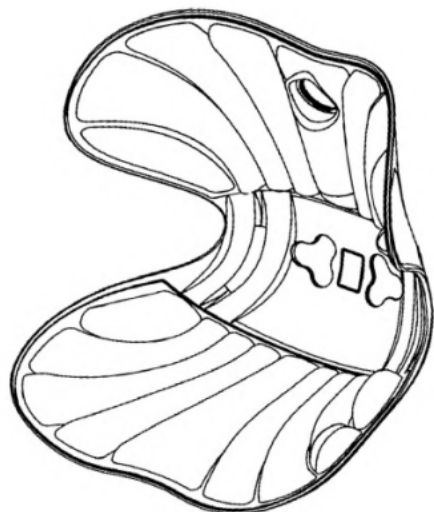
白沙中心南路 59 號 1102 室

[74] 鄭澤宇

香港

屯門青山公路青山灣段 362-388 號

恆順園 3 座 13 樓 A 室



[11] 2423733.9

[15] 19-07-2024

[30] 22-01-2024 / CN / 2024300407741

[51] Cl. 8-07

- [54] 卡扣鎖緊裝置  
Buckle locking device
- [73] 美亞無紡布工業有限公司  
U.S. Pacific Nonwovens Industry Limited  
香港  
觀塘偉業街 181 號  
盈達商業大廈 11 樓 B 室
- [74] 弘研知識產權有限公司  
香港  
荃灣海盛路 3 號  
TML 大廈 16 樓 A5 室



- 
- [11] 2423763.2
- [15] 26-07-2024
- [30] 26-01-2024 / KR / 30-2024-0003755
- [51] C1. 2-02
- [54] 夾克  
Jacket
- [73] 株式会社可薄色門  
COVER-SOMEONE CORPORATION  
#B207, B208, B211, 51 Seongsui-ro,  
Seongdong-gu, Seoul,  
REPUBLIC OF KOREA
- [74] CHINA PATENT AGENT (HONG KONG) LIMITED  
22/F, Great Eagle Centre,  
23 Harbour Road, Wanchai,  
Hong Kong



---

[11] 2423866.1M001

[15] 15-08-2024

[30] 15-02-2024 / CN, CH, GB, EU / DM/235776

[51] Cl. 19-06

[54] 筆夾

Pen clip

[73] FESTINA LOTUS, S.A.

C/ Velázquez 150, planta 3, puerta 1,

28002 MADRID,

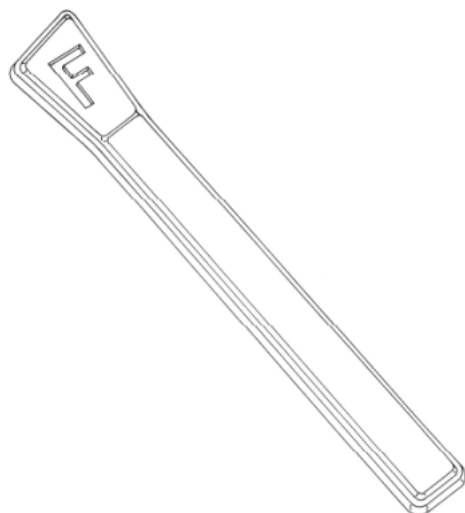
SPAIN

[74] CHINA PATENT AGENT (HONG KONG) LIMITED

22/F, Great Eagle Centre,

23 Harbour Road, Wanchai,

Hong Kong



---

[11] 2423866.1M002

[15] 15-08-2024

[30] 15-02-2024 / CN, CH, GB, EU / DM/235776



[51] Cl. 19-06

[54] 筆夾

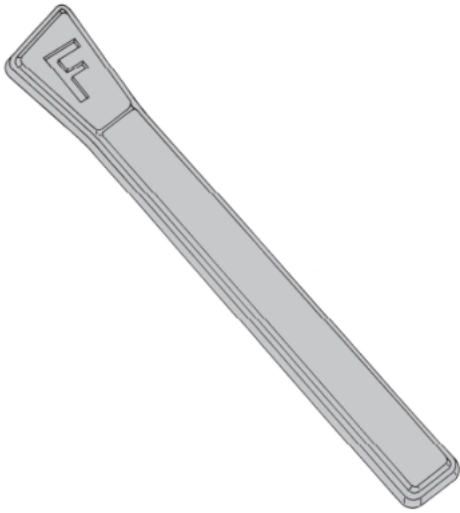
Pen clip

[73] FESTINA LOTUS, S.A.

C/ Velázquez 150, planta 3, puerta 1,  
28002 MADRID,  
SPAIN

[74] CHINA PATENT AGENT (HONG KONG) LIMITED

22/F, Great Eagle Centre,  
23 Harbour Road, Wanchai,  
Hong Kong



---

[11] 2423867.3

[15] 15-08-2024

[30] 21-05-2024 / CN, US, JP, KR / DM/237902

[51] Cl. 7-02

[54] 烘焙器具

Bakeware

[73] ISHIZUKA GLASS CO., LTD.

1880, Kawai-cho, Iwakura-shi,  
Aichi 482-8510,  
JAPAN

[74] DEACONS

5th Floor, Alexandra House,  
Central,  
Hong Kong



[11] 2424010.7

[15] 11-09-2024

[51] Cl. 9-01

[54] 包裝瓶

Packaging bottle

[73] 小主控股有限公司

YOUR LADYSHIP HOLDINGS CO., LIMITED  
UNIT 1507B 15/F EASTCORE,  
398 KWUN TONG ROAD, KWUN TONG, KL,  
HONG KONG

[74] ACCOLADE IP LIMITED

Unit 2406B, 24/F, Low Block,  
Grand Millennium Plaza,  
181 Queen's Road Central,  
Sheung Wan, Hong Kong



[11] 2424023.4

[15] 13-09-2024

[30] 26-07-2024 / CN / 2024304702690

[51] Cl. 10-05

[54] 基因測序儀

Gene sequencer

[73] 北京普譯生物科技有限公司

BEIJING POLYSEQ BIOTECH CO., LTD

Building 1, 15th Floor, Room 1501-3D,

No. 10 Ronghua Middle Road, Beijing Economic-  
Technological Development Area, Beijing

CHINA

[74] ORIGIN BUSINESS CONSULTANCY COMPANY LIMITED

Room 2202, Tung Chiu Commercial Centre,

193 Lockhart Road, Wan Chai,

Hong Kong



---

[11] 2424047.5M001

[15] 19-09-2024

[30] 18-04-2024 / JP / 2024-008103

[51] Cl. 9-05

[54] 包裝袋

Packing pouch

[73] 久光製藥株式會社

HISAMITSU PHARMACEUTICAL CO., INC.

408, Tashirodaikan-machi,

Tosu-shi, Saga 841-0017,

JAPAN

[74] WILKINSON & GRIST

11th Floor, Great Eagle Centre,

23 Harbour Road,

Hong Kong



[11] 2424047.5M002

[15] 19-09-2024

[30] 18-04-2024 / JP / 2024-008104

[51] Cl. 9-05

[54] 包裝袋

Packing pouch

[73] 久光製薬株式会社

HISAMITSU PHARMACEUTICAL CO., INC.  
408, Tashirodaikan-machi,  
Tosu-shi, Saga 841-0017,  
JAPAN

[74] WILKINSON & GRIST

11th Floor, Great Eagle Centre,  
23 Harbour Road,  
Hong Kong



[11] 2424047.5M003

[15] 19-09-2024

[30] 18-04-2024 / JP / 2024-008105

[51] Cl. 9-05

[54] 包裝袋

Packing pouch

[73] 久光製薬株式会社

HISAMITSU PHARMACEUTICAL CO., INC.  
408, Tashirodaikan-machi,

Tosu-shi, Saga 841-0017,  
JAPAN

- [74] WILKINSON & GRIST  
11th Floor, Great Eagle Centre,  
23 Harbour Road,  
Hong Kong



- 
- [11] 2424052.5  
[15] 19-09-2024  
[30] 02-09-2024 / CN / 2024305586451  
[51] Cl. 10-05  
[54] 空氣質量監測盒子  
Air quality monitor  
[73] 廣東松下環境系統有限公司  
Panasonic Ecology Systems Guangdong Co., Ltd.  
2 South Chaogui Road,  
Shunde High-Tech Industrial Zone (Ronggui),  
Foshan, Guangdong, P.R.China 528306,  
CHINA  
[74] MARKS & CLERK  
Level 9, Cyberport 1,  
100 Cyberport Road, Pok Fu Lam,  
Hong Kong



[11] 2424055.2

[15] 20-09-2024

[51] Cl. 11-01

[54] 吊咀連頸鏈

Pendant with necklace

[73] 蒂廷國際有限公司

香港

九龍紅磡民裕街 41 號

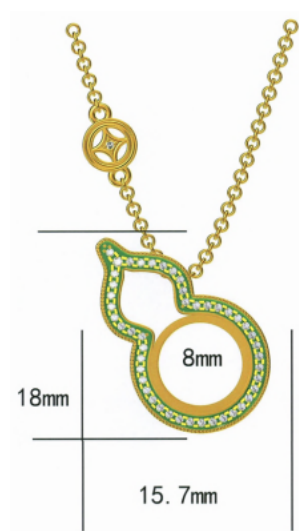
凱旋工商中心一期 1/F, A3 室

[74] 蒂廷國際有限公司

香港

九龍紅磡民裕街 41 號

凱旋工商中心一期 1/F, A3 室



- [11] 2424057.6
- [15] 20-09-2024
- [30] 30-08-2024 / MA, CN, SG, CH, TR, GB, EU / WIPO152542
- [51] Cl. 10-07
- [54] 錶殼  
Watch casing
- [73] Breitling SA  
LÉON BREITLING-STRASSE 2, 2540 GRENCHEN,  
SWITZERLAND
- [74] WENPING PATENT & TRADE MARK AGENT LIMITED  
1701, Tung Wai Commercial Building,  
111 Gloucester Road,  
Hong Kong



- 
- [11] 2424058.8
  - [15] 20-09-2024
  - [30] 30-08-2024 / MA, CN, SG, CH, TR, GB, EU / WIPO152542
  - [51] Cl. 10-07
  - [54] 錶殼  
Watch casing
  - [73] Breitling SA  
LÉON BREITLING-STRASSE 2, 2540 GRENCHEN,  
SWITZERLAND
  - [74] WENPING PATENT & TRADE MARK AGENT LIMITED  
1701, Tung Wai Commercial Building,  
111 Gloucester Road,  
Hong Kong



---

[11] 2424059.0

[15] 20-09-2024

[30] 30-08-2024 / MA, CN, SG, CH, TR, GB, EU / WIPO152542

[51] Cl. 10-07

[54] 錶殼

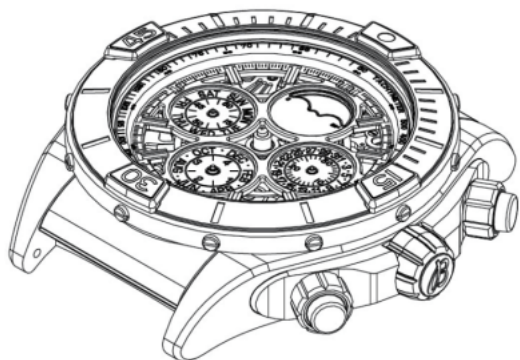
Watch casing

[73] Breitling SA

LÉON BREITLING-STRASSE 2, 2540 GRENCHEN,  
SWITZERLAND

[74] WENPING PATENT & TRADE MARK AGENT LIMITED

1701, Tung Wai Commercial Building,  
111 Gloucester Road,  
Hong Kong



---

[11] 2424061.4

[15] 20-09-2024

[30] 16-04-2024 / US / 29/937,645

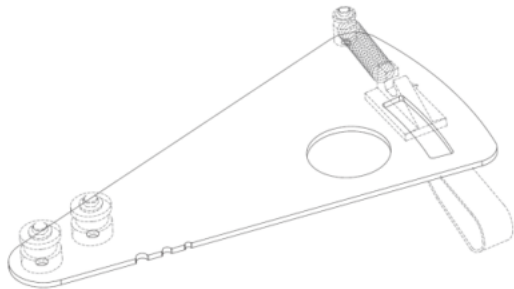
[51] Cl. 10-04

[54] 電纜張力計

Cable tension gauge



- [73] FEENEY, INC.  
2603 Union Street, Oakland, CA 94607,  
UNITED STATES OF AMERICA
- [74] FEDERATION OF HONG KONG INDUSTRIES  
31/F, Billion Plaza,  
8 Cheung Yue Street, Cheung Sha Wan,  
Kowloon, Hong Kong



- 
- [11] 2424077.8
- [15] 23-09-2024
- [51] Cl. 3-01
- [54] 包  
Bag
- [73] BTV GROUP PTE. LTD.  
2 Alexandra Road #06-03, Delta House,  
Singapore 159919,  
SINGAPORE
- [74] ACCOLADE IP LIMITED  
Unit 2406B, 24/F, Low Block,  
Grand Millennium Plaza,  
181 Queen's Road Central,  
Sheung Wan, Hong Kong



[11] 2424081.6

[15] 23-09-2024

[51] Cl. 10-02

[54] 錶

Watch

[73] MONTRES BREGUET SA (MONTRES BREGUET AG) (MONTRES BREGUET LTD)

Place de la Tour 23,

1344 L'Abbaye,

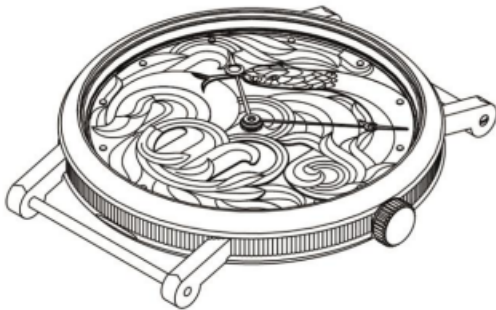
SWITZERLAND

[74] SPRUSON & FERGUSON (HONG KONG) LIMITED

5001, Hopewell Centre,

183 Queen's Road East, Wan Chai,

Hong Kong



---

[11] 2424083.0

[15] 23-09-2024

[51] Cl. 14-04

[54] 顯示螢幕之圖形化使用者介面

Graphical user interface for display screen

[73] 晶實科技股份有限公司

STUDIO A INC.

7F., No. 260, Sec. 2, Bade Rd., Zhongshan Dist.,

Taipei City 104100,

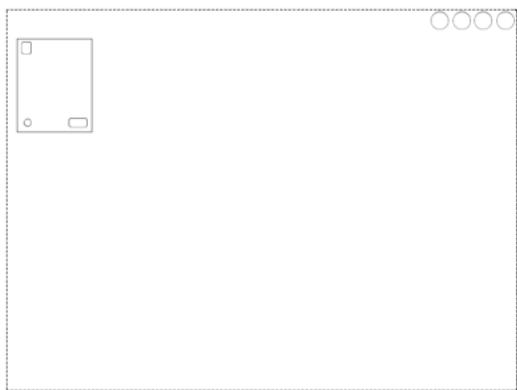
TAIWAN

[74] CHINAHONGKONG IP LIMITED

1502, 15/F, Capital Centre,

151 Gloucester Road, Wanchai,

Hong Kong



[11] 2424084.2

[15] 23-09-2024

[30] 10-04-2024 / CN / 2024301967562

[51] C1. 8-07

[54] 智能鎖

Smart door lock

[73] 密码精灵有限公司

PIN GENIE Limited

香港

九龙观塘宏图道 35 号天星中心二十一楼

郑犁

Li ZHENG

香港

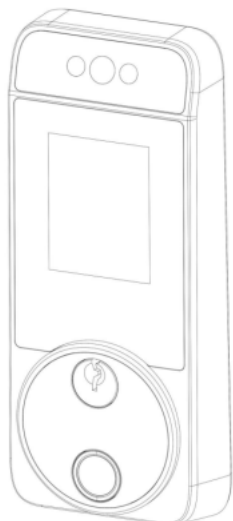
九龙观塘宏图道 35 号天星中心二十一楼

[74] 中港專利有限公司

香港

灣仔告士打道 151 號

資本中心 15 樓 1502 室



[11] 2424087.9M001

[15] 23-09-2024

[51] Cl. 3-01

[54] 裝飾物

Charm

[73] Casetagram Limited

18/F, NEO,

123 Hoi Bun Road, Kwun Tong, Kowloon,

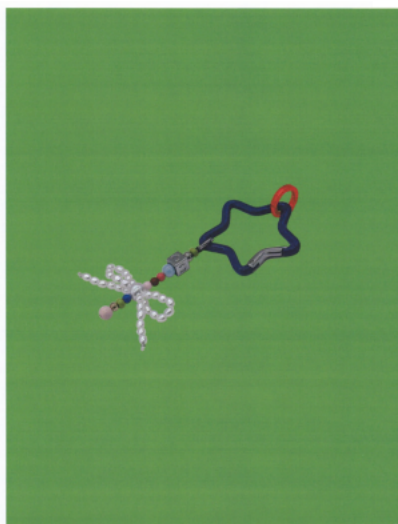
HONG KONG

[74] Casetagram Limited

18/F, NEO,

123 Hoi Bun Road, Kwun Tong, Kowloon,

Hong Kong



---

[11] 2424087.9M002

[15] 23-09-2024

[51] Cl. 3-01

[54] 裝飾物

Charm

[73] Casetagram Limited

18/F, NEO,

123 Hoi Bun Road, Kwun Tong, Kowloon,

HONG KONG

[74] Casetagram Limited

18/F, NEO,

123 Hoi Bun Road, Kwun Tong, Kowloon,

Hong Kong



---

[11] 2424087.9M003

[15] 23-09-2024

[51] Cl. 3-01

[54] 裝飾物  
Charm

[73] Casetagram Limited  
18/F, NEO,  
123 Hoi Bun Road, Kwun Tong, Kowloon,  
HONG KONG

[74] Casetagram Limited  
18/F, NEO,  
123 Hoi Bun Road, Kwun Tong, Kowloon,  
Hong Kong



---

[11] 2424087.9M004

[15] 23-09-2024

[51] Cl. 3-01

[54] 裝飾物

Charm

[73] Casetagram Limited

18/F, NEO,

123 Hoi Bun Road, Kwun Tong, Kowloon,

HONG KONG

[74] Casetagram Limited

18/F, NEO,

123 Hoi Bun Road, Kwun Tong, Kowloon,

Hong Kong



---

[11] 2424095.6

[15] 24-09-2024

[30] 05-04-2024 / CH / 2024-00181

[51] Cl. 10-07

[54] 手錶錶盤

Watch dial

[73] 豪门世家公司

Sarcar Tramex SA

Route de Thonon 61,

1222 Vérenaz,

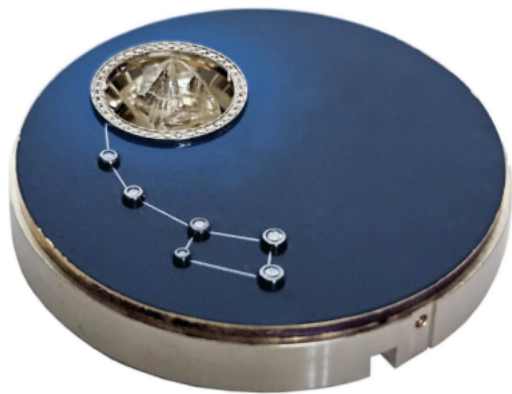
SWITZERLAND

[74] HNC INNOVATION LIMITED

Units 1205-1208, Cyberport 2,

No. 100 Cyberport Road,

Hong Kong



---

[11] 2424096.8M001

[15] 24-09-2024

[30] 29-03-2024 / JP / 2024-006656

[51] Cl. 16-06

[54] 眼鏡

Eyeglasses

[73] KABUSHIKI KAISHA JINS HOLDINGS (JINS HOLDINGS Inc.)

26-4 Kawaharamachi 2-Chome,  
Maebashi-Shi, Gunma 371-0046,  
JAPAN

[74] WILKINSON & GRIST

11/F, Great Eagle Centre,  
23 Harbour Road,  
Hong Kong



---

[11] 2424096.8M002

[15] 24-09-2024

[30] 29-03-2024 / JP / 2024-006657

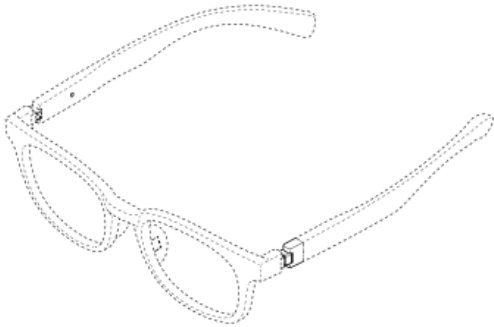
[51] Cl. 16-06

[54] 眼鏡

Eyeglasses

[73] KABUSHIKI KAISHA JINS HOLDINGS (JINS HOLDINGS Inc.)  
26-4 Kawaharamachi 2-Chome,  
Maebashi-Shi, Gunma 371-0046,  
JAPAN

[74] WILKINSON & GRIST  
11/F, Great Eagle Centre,  
23 Harbour Road,  
Hong Kong



---

[11] 2424096.8M003

[15] 24-09-2024

[30] 29-03-2024 / JP / 2024-006658

[51] Cl. 16-06

[54] 眼鏡  
Eyeglasses

[73] KABUSHIKI KAISHA JINS HOLDINGS (JINS HOLDINGS Inc.)  
26-4 Kawaharamachi 2-Chome,  
Maebashi-Shi, Gunma 371-0046,  
JAPAN

[74] WILKINSON & GRIST  
11/F, Great Eagle Centre,  
23 Harbour Road,  
Hong Kong



---

[11] 2424098.2



[15] 24-09-2024

[30] 05-04-2024 / CH / 147971

[51] Cl. 10-02

[54] 錶殼

Watch case

[73] Marco TEDESCHI

Chemin du Rucher 7,

1261 Le Vaud,

SWITZERLAND

[74] DEACONS

5th Floor, Alexandra House,

Central,

Hong Kong



---

[11] 2424099.4

[15] 25-09-2024

[30] 25-03-2024 / US / 29/934,314

[51] Cl. 9-05

[54] 袋

Bag

[73] 格拉德产品公司

The Glad Products Company

1221 Broadway,

Oakland, California 94612,

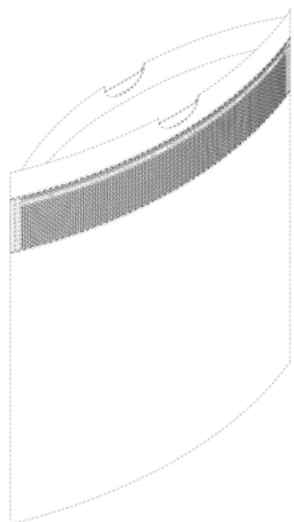
UNITED STATES OF AMERICA

[74] HNC INNOVATION LIMITED

Units 1205-1208, Cyberport 2,

No. 100 Cyberport Road,

Hong Kong



---

[11] 2424101.0M001

[15] 25-09-2024

[30] 09-04-2024 / EU / 015056881

[51] Cl. 23-06

[54] 手提花灑

Hand shower

[73] Hansgrohe SE

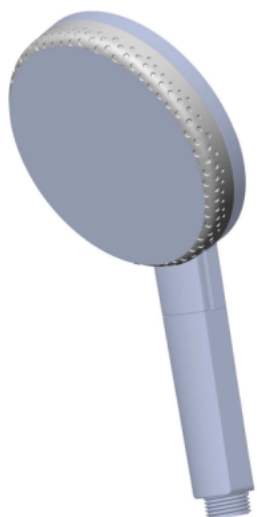
Auestr. 5-9,  
77761 Schiltach,  
GERMANY

[74] ROUSE & CO. INTERNATIONAL (OVERSEAS) LIMITED

26/F., Tesbury Centre,  
28 Queen's Road East,  
Hong Kong



- [11] 2424101.0M002  
[15] 25-09-2024  
[30] 09-04-2024 / EU / 015056881  
[51] Cl. 23-06  
[54] 手提花灑  
Hand shower  
[73] Hansgrohe SE  
Auestr. 5-9,  
77761 Schiltach,  
GERMANY  
[74] ROUSE & CO. INTERNATIONAL (OVERSEAS) LIMITED  
26/F., Tesbury Centre,  
28 Queen's Road East,  
Hong Kong



- 
- [11] 2424101.0M003  
[15] 25-09-2024  
[30] 09-04-2024 / EU / 015056881  
[51] Cl. 23-06  
[54] 手提花灑  
Hand shower  
[73] Hansgrohe SE  
Auestr. 5-9,  
77761 Schiltach,  
GERMANY  
[74] ROUSE & CO. INTERNATIONAL (OVERSEAS) LIMITED  
26/F., Tesbury Centre,  
28 Queen's Road East,  
Hong Kong



---

[11] 2424101.0M004

[15] 25-09-2024

[30] 09-04-2024 / EU / 015056881

[51] Cl. 23-06

[54] 手提花灑

Hand shower

[73] Hansgrohe SE

Auestr. 5-9,

77761 Schiltach,

GERMANY

[74] ROUSE & CO. INTERNATIONAL (OVERSEAS) LIMITED

26/F., Tesbury Centre,

28 Queen's Road East,

Hong Kong



---

[11] 2424101.0M005

[15] 25-09-2024

[30] 09-04-2024 / EU / 015056881

[51] Cl. 23-06

[54] 手提花灑

Hand shower

[73] Hansgrohe SE

Auestr. 5-9,

77761 Schiltach,

GERMANY

[74] ROUSE & CO. INTERNATIONAL (OVERSEAS) LIMITED

26/F., Tesbury Centre,

28 Queen's Road East,

Hong Kong



---

[11] 2424101.0M006

[15] 25-09-2024

[30] 09-04-2024 / EU / 015056881

[51] Cl. 23-06

[54] 手提花灑

Hand shower

[73] Hansgrohe SE

Auestr. 5-9,

77761 Schiltach,

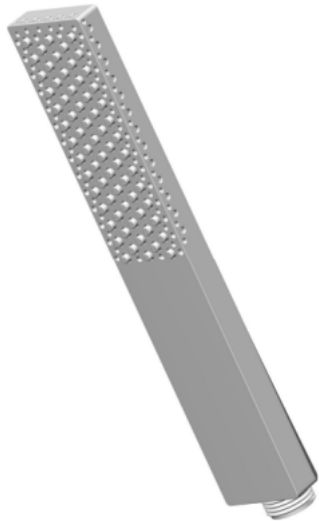
GERMANY

[74] ROUSE & CO. INTERNATIONAL (OVERSEAS) LIMITED

26/F., Tesbury Centre,

28 Queen's Road East,

Hong Kong



---

[11] 2424101.0M007

[15] 25-09-2024

[30] 09-04-2024 / EU / 015056881

[51] Cl. 23-06

[54] 花灑

Shower

[73] Hansgrohe SE

Auestr. 5-9,

77761 Schiltach,

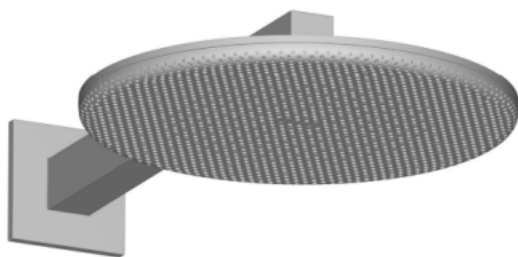
GERMANY

[74] ROUSE & CO. INTERNATIONAL (OVERSEAS) LIMITED

26/F., Tesbury Centre,

28 Queen's Road East,

Hong Kong



---

[11] 2424101.0M008

[15] 25-09-2024

[30] 09-04-2024 / EU / 015056881

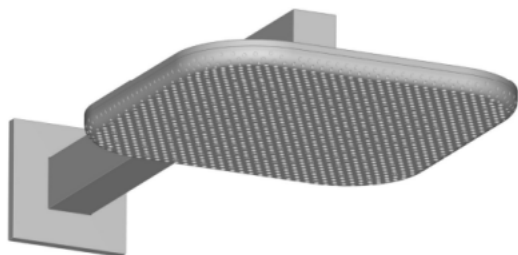
[51] Cl. 23-06

[54] 花灑

Shower

[73] Hansgrohe SE  
Auestr. 5-9,  
77761 Schiltach,  
GERMANY

[74] ROUSE & CO. INTERNATIONAL (OVERSEAS) LIMITED  
26/F., Tesbury Centre,  
28 Queen's Road East,  
Hong Kong



---

[11] 2424101.0M009

[15] 25-09-2024

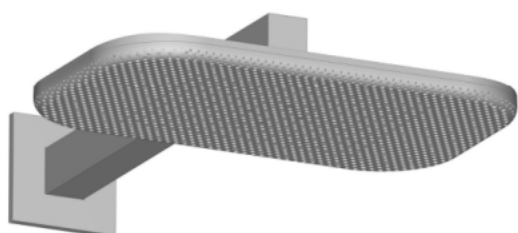
[30] 09-04-2024 / EU / 015056881

[51] Cl. 23-06

[54] 花灑  
Shower

[73] Hansgrohe SE  
Auestr. 5-9,  
77761 Schiltach,  
GERMANY

[74] ROUSE & CO. INTERNATIONAL (OVERSEAS) LIMITED  
26/F., Tesbury Centre,  
28 Queen's Road East,  
Hong Kong



---

[11] 2424101.0M010

[15] 25-09-2024

[30] 09-04-2024 / EU / 015056881

[51] Cl. 23-06

[54] 花灑

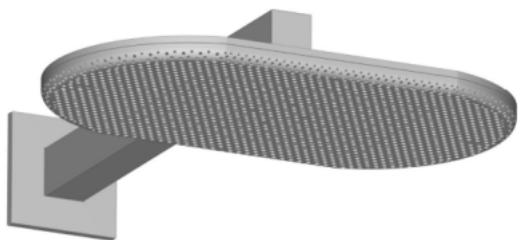
Shower

[73] Hansgrohe SE

Auestr. 5-9,  
77761 Schiltach,  
GERMANY

[74] ROUSE & CO. INTERNATIONAL (OVERSEAS) LIMITED

26/F., Tesbury Centre,  
28 Queen's Road East,  
Hong Kong



---

[11] 2424101.0M011

[15] 25-09-2024

[30] 09-04-2024 / EU / 015056881

[51] Cl. 23-06

[54] 花灑

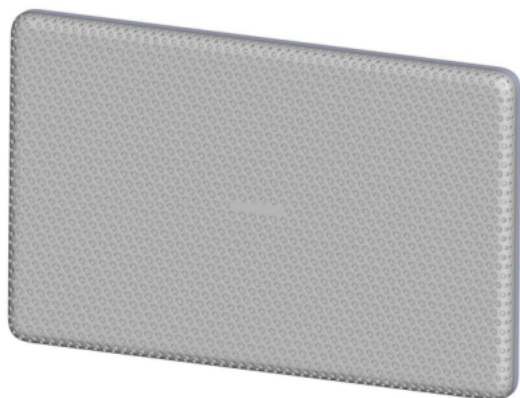
Shower

[73] Hansgrohe SE

Auestr. 5-9,  
77761 Schiltach,  
GERMANY

[74] ROUSE & CO. INTERNATIONAL (OVERSEAS) LIMITED

26/F., Tesbury Centre,  
28 Queen's Road East,  
Hong Kong





[11] 2424101.0M012

[15] 25-09-2024

[30] 09-04-2024 / EU / 015056881

[51] Cl. 23-08

[54] 衛生裝置

Sanitary installation

[73] Hansgrohe SE

Auestr. 5-9,

77761 Schiltach,

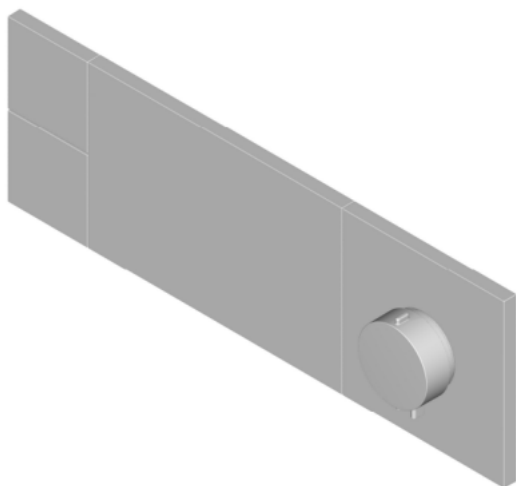
GERMANY

[74] ROUSE & CO. INTERNATIONAL (OVERSEAS) LIMITED

26/F., Tesbury Centre,

28 Queen's Road East,

Hong Kong



---

[11] 2424101.0M013

[15] 25-09-2024

[30] 09-04-2024 / EU / 015056881

[51] Cl. 23-08

[54] 衛生裝置

Sanitary installation

[73] Hansgrohe SE

Auestr. 5-9,

77761 Schiltach,

GERMANY

[74] ROUSE & CO. INTERNATIONAL (OVERSEAS) LIMITED

26/F., Tesbury Centre,

28 Queen's Road East,

Hong Kong



---

[11] 2424105.9

[15] 25-09-2024

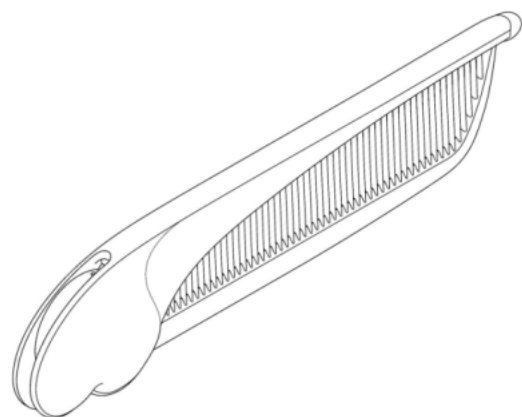
[30] 29-03-2024 / JP / 2024-006671

[51] Cl. 28-06

[54] 梳子  
Comb

[73] 株式會社 MTG  
MTG CO., LTD.  
2-32 Honjin-tori, Nakamura-ku, Nagoya-shi,  
Aichi 4530041,  
JAPAN

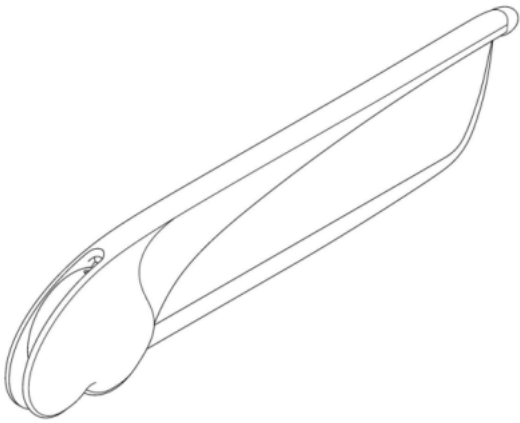
[74] CHINAHONGKONG IP LIMITED  
1502, 15/F, Capital Centre,  
151 Gloucester Road, Wanchai,  
Hong Kong



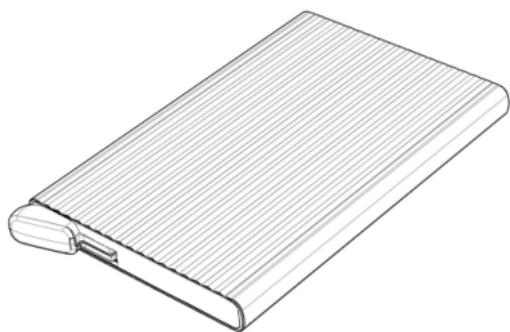
---

[11] 2424106.1

- [15] 25-09-2024
- [30] 25-06-2024 / JP / 2024-012943
- [51] Cl. 28-06
- [54] 梳子  
Comb
- [73] 株式會社 MTG  
MTG CO., LTD.  
2-32 Honjin-tori, Nakamura-ku, Nagoya-shi,  
Aichi 4530041,  
JAPAN
- [74] CHINAHONGKONG IP LIMITED  
1502, 15/F, Capital Centre,  
151 Gloucester Road, Wanchai,  
Hong Kong



- 
- [11] 2424134.9
- [15] 27-09-2024
- [30] 06-06-2024 / CN / 2024303474485
- [51] Cl. 3-01
- [54] 卡片保護器  
Card protector
- [73] 斯匹瑞德创意有限公司  
SPIRID CREATION B.V.  
SATURNUSSTRAAT 81,  
2516 AG THE HAGUE,  
NETHERLANDS
- [74] CHANG TSI AND PARTNERS INTELLECTUAL PROPERTY (HK) LIMITED  
Level 20, One International Finance Centre,  
No. 1 Harbour View Street, Central,  
Hong Kong



---

[11] 2424161.6M001

[15] 30-09-2024

[30] 09-04-2024 / EU / 015056957-0003

[51] Cl. 7-05

[54] 手持式熨燙機

Hand-held steamer

[73] VERSUNI HOLDING B.V.

CLAUDE DEBUSSYLAAN 88,

1082MD AMSTERDAM,

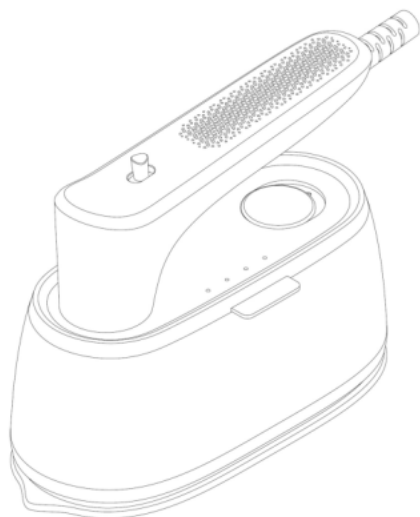
NETHERLANDS

[74] CHANG TSI AND PARTNERS INTELLECTUAL PROPERTY (HK) LIMITED

Level 20, One International Finance Centre,

No. 1 Harbour View Street, Central,

Hong Kong



---

[11] 2424161.6M002

[15] 30-09-2024

[30] 09-04-2024 / EU / 015056957-0004

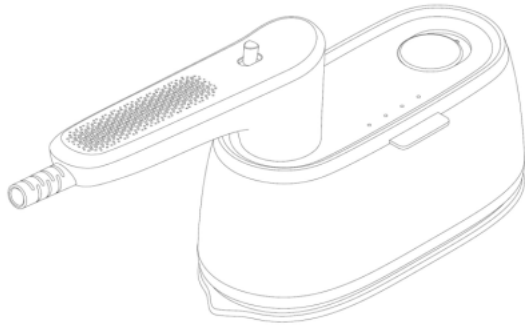
[51] Cl. 7-05

[54] 手持式熨燙機

Hand-held steamer

[73] VERSUNI HOLDING B.V.  
CLAUDE DEBUSSYLAAN 88,  
1082MD AMSTERDAM,  
NETHERLANDS

[74] CHANG TSI AND PARTNERS INTELLECTUAL PROPERTY (HK) LIMITED  
Level 20, One International Finance Centre,  
No. 1 Harbour View Street, Central,  
Hong Kong



---

[11] 2424162.8M001

[15] 30-09-2024

[30] 26-04-2024 / MA, NO, OM, SG, CH, TN, TR, UA, GB, EU, AL /  
DM/239 042

[51] Cl. 10-02

[54] 手錶

Wristwatch

[73] SWATCH AG (SWATCH SA) (SWATCH LTD.)  
Nicolas G. Hayek Strasse 1,  
2502 Biel/Bienne,  
SWITZERLAND

[74] SPRUSON & FERGUSON (HONG KONG) LIMITED  
5001, Hopewell Centre,  
183 Queen's Road East, Wan Chai,  
Hong Kong



---

[11] 2424162.8M002

- [15] 30-09-2024
- [30] 26-04-2024 / MA, NO, OM, SG, CH, TN, TR, UA, GB, EU, AL /  
DM/239 042
- [51] Cl. 10-02
- [54] 手錶  
Wristwatch
- [73] SWATCH AG (SWATCH SA) (SWATCH LTD.)  
Nicolas G. Hayek Strasse 1,  
2502 Biel/Bienne,  
SWITZERLAND
- [74] SPRUSON & FERGUSON (HONG KONG) LIMITED  
5001, Hopewell Centre,  
183 Queen's Road East, Wan Chai,  
Hong Kong



- 
- [11] 2424169.3M001
- [15] 03-10-2024
- [30] 12-04-2024 / EU / 015057406
- [51] Cl. 23-06
- [54] 手提花灑  
Hand shower
- [73] Hansgrohe SE  
Auestr. 5-9,  
77761 Schiltach,  
GERMANY
- [74] ROUSE & CO. INTERNATIONAL (OVERSEAS) LIMITED  
26/F., Tesbury Centre,  
28 Queen's Road East,  
Hong Kong



---

[11] 2424169.3M002

[15] 03-10-2024

[30] 12-04-2024 / EU / 015057406

[51] Cl. 23-06

[54] 花灑

Shower

[73] Hansgrohe SE

Auestr. 5-9,  
77761 Schiltach,  
GERMANY

[74] ROUSE & CO. INTERNATIONAL (OVERSEAS) LIMITED

26/F., Tesbury Centre,  
28 Queen's Road East,  
Hong Kong



---

[11] 2424169.3M003

[15] 03-10-2024

[30] 12-04-2024 / EU / 015057406

[51] Cl. 23-06

[54] 花灑

Shower

[73] Hansgrohe SE

Auestr. 5-9,

77761 Schiltach,

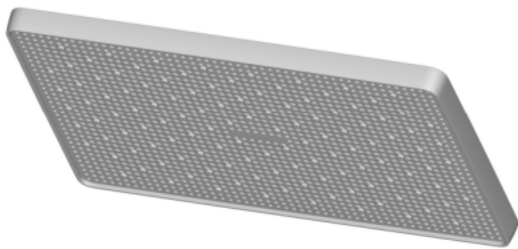
GERMANY

[74] ROUSE & CO. INTERNATIONAL (OVERSEAS) LIMITED

26/F., Tesbury Centre,

28 Queen's Road East,

Hong Kong



---

[11] 2424169.3M004

[15] 03-10-2024

[30] 12-04-2024 / EU / 015057406

[51] Cl. 23-06

[54] 花灑

Shower

[73] Hansgrohe SE

Auestr. 5-9,

77761 Schiltach,

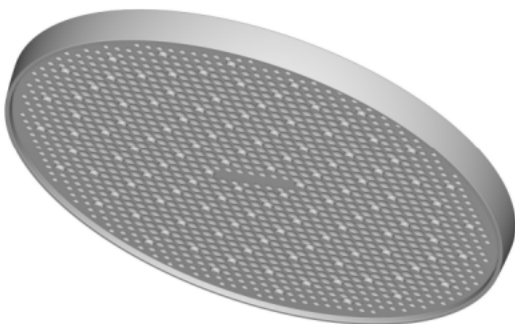
GERMANY

[74] ROUSE & CO. INTERNATIONAL (OVERSEAS) LIMITED

26/F., Tesbury Centre,

28 Queen's Road East,

Hong Kong

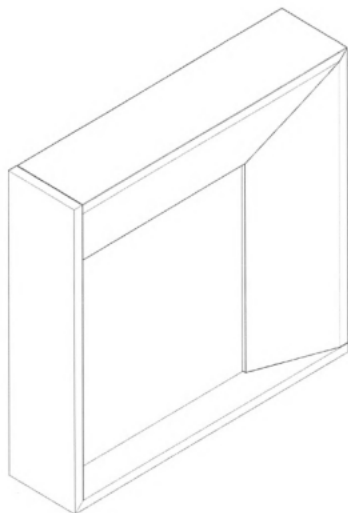




- [11] 2424171.7  
[15] 03-10-2024  
[30] 04-04-2024 / CH, GB, EU / WIPO146799  
[51] Cl. 11-01  
[54] 戒指  
Ring  
[73] Richemont International SA  
Route des biches 10,  
1752 VILLARS-SUR-GLANE,  
SWITZERLAND  
[74] DEACONS  
5th Floor, Alexandra House,  
Central,  
Hong Kong



- 
- [11] 2424172.9M001  
[15] 03-10-2024  
[51] Cl. 26-05  
[54] 燈具  
Lamp  
[73] 展光發展有限公司  
Brighten Technology Development Limited  
香港  
九龍紅磡鶴園東街 1 號  
富恆工業大廈 307 室  
[74] 展光發展有限公司  
香港  
九龍紅磡鶴園東街 1 號  
富恆工業大廈 307 室



---

[11] 2424172.9M002

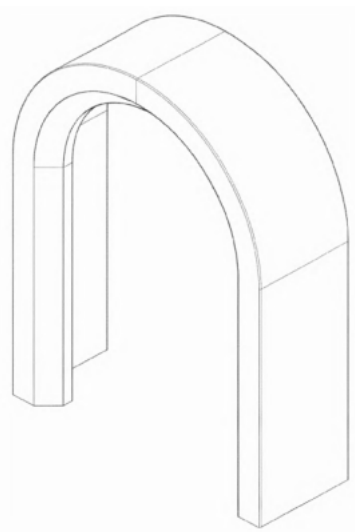
[15] 03-10-2024

[51] C1. 26-05

[54] 燈具  
Lamp

[73] 展光發展有限公司  
Brighten Technology Development Limited  
香港  
九龍紅磡鶴園東街 1 號  
富恆工業大廈 307 室

[74] 展光發展有限公司  
香港  
九龍紅磡鶴園東街 1 號  
富恆工業大廈 307 室



[11] 2424172.9M003

[15] 03-10-2024

[51] Cl. 26-05

[54] 燈具  
Lamp

[73] 展光發展有限公司  
Brighten Technology Development Limited  
香港  
九龍紅磡鶴園東街1號  
富恆工業大廈307室

[74] 展光發展有限公司  
香港  
九龍紅磡鶴園東街1號  
富恆工業大廈307室



---

[11] 2424173.1

[15] 04-10-2024

[51] Cl. 3-01

[54] 手提箱  
Suitcase

[73] 簡約社有限公司  
Simple House Limited  
Flat/ Room B3, 3/F,  
Gee Chang Industrial Building,  
108 Lok Shan Road, To Kwa Wan, Kowloon, Hong Kong

[74] ACCOLADE IP LIMITED  
Unit 2406B, 24/F, Low Block,  
Grand Millennium Plaza,

181 Queen's Road Central,  
Sheung Wan, Hong Kong



[11] 2424174.3

[15] 04-10-2024

[30] 30-04-2024 / CH / 2024-00233

[51] Cl. 10-07

[54] 錶殼

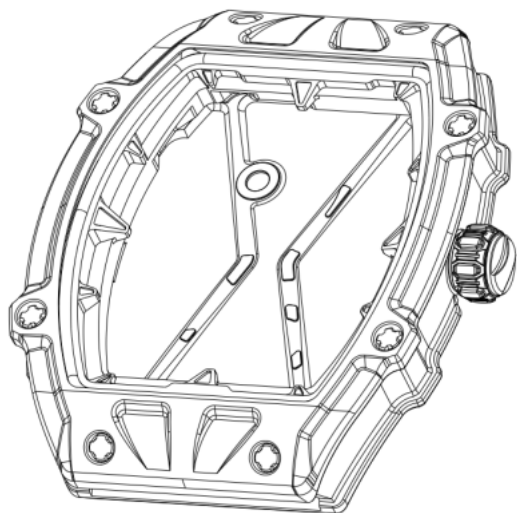
Watch case

[73] Turlen Holding SA

Rue du Jura 11,  
2345 Les Breuleux,  
SWITZERLAND

[74] WILKINSON & GRIST

11/F, Great Eagle Centre,  
23 Harbour Road,  
Hong Kong



[11] 2424175.6

[15] 04-10-2024

[30] 30-04-2024 / CH / 2024-00233

[51] Cl. 10-07

[54] 錶殼

Watch case

[73] Turlen Holding SA

Rue du Jura 11,  
2345 Les Breuleux,  
SWITZERLAND

[74] WILKINSON & GRIST

11/F, Great Eagle Centre,  
23 Harbour Road,  
Hong Kong



---

[11] 2424176.8

[15] 04-10-2024

[30] 30-04-2024 / CH / 2024-00233

[51] Cl. 10-07

[54] 機芯

Movement

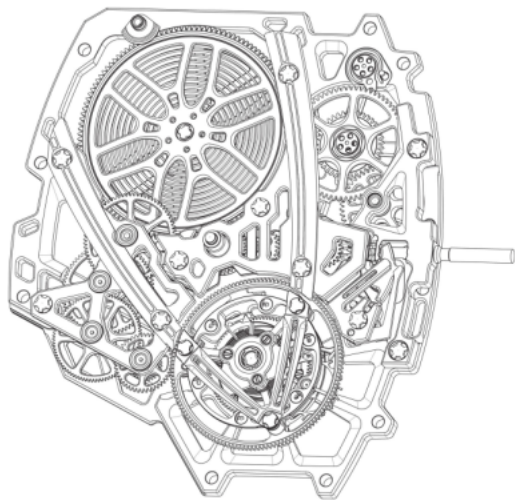
[73] Turlen Holding SA

Rue du Jura 11,  
2345 Les Breuleux,  
SWITZERLAND

[74] WILKINSON & GRIST

11/F, Great Eagle Centre,

23 Harbour Road,  
Hong Kong



[11] 2424177.0

[15] 04-10-2024

[30] 30-04-2024 / CH / 2024-00233

[51] Cl. 10-07

[54] 錶發條匣

Watch barrel

[73] Turlen Holding SA

Rue du Jura 11,  
2345 Les Breuleux,  
SWITZERLAND

[74] WILKINSON & GRIST

11/F, Great Eagle Centre,  
23 Harbour Road,  
Hong Kong



[11] 2424178.2

[15] 04-10-2024

[30] 30-04-2024 / CH / 2024-00233

[51] Cl. 10-07

[54] 上條錶冠

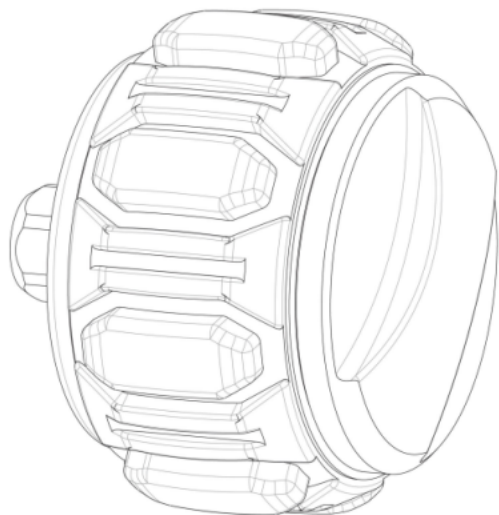
Winding crown

[73] Turlen Holding SA

Rue du Jura 11,  
2345 Les Breuleux,  
SWITZERLAND

[74] WILKINSON & GRIST

11/F, Great Eagle Centre,  
23 Harbour Road,  
Hong Kong



---

[11] 2424179.4

[15] 04-10-2024

[30] 30-04-2024 / CH / 2024-00233

[51] Cl. 10-07

[54] 錶的中間部份

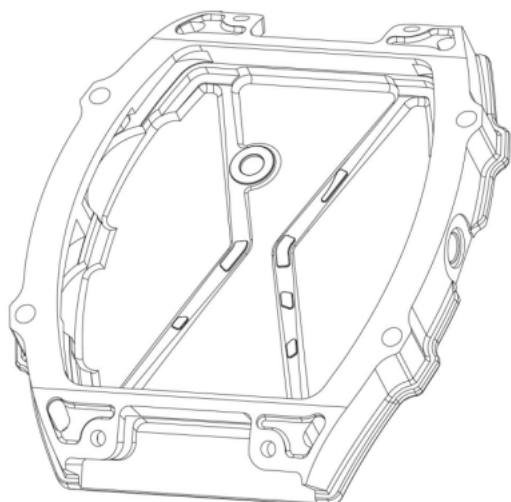
Watch middle

[73] Turlen Holding SA

Rue du Jura 11,  
2345 Les Breuleux,  
SWITZERLAND

[74] WILKINSON & GRIST

11/F, Great Eagle Centre,  
23 Harbour Road,  
Hong Kong



---

[11] 2424180.6

[15] 04-10-2024

[30] 30-04-2024 / CH / 2024-00233

[51] Cl. 10-07

[54] 錶框

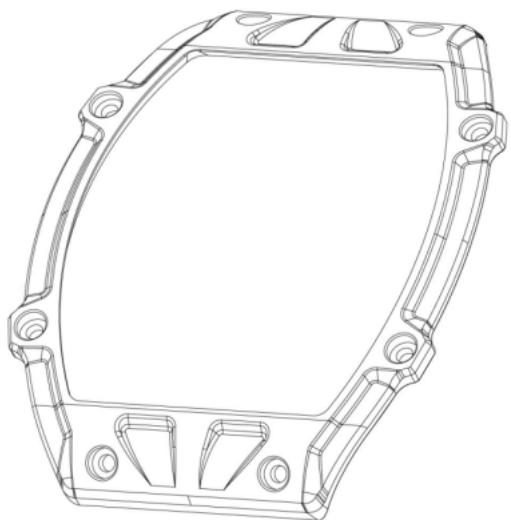
Watch bezel

[73] Turlen Holding SA

Rue du Jura 11,  
2345 Les Breuleux,  
SWITZERLAND

[74] WILKINSON & GRIST

11/F, Great Eagle Centre,  
23 Harbour Road,  
Hong Kong





[11] 2424181.8

[15] 04-10-2024

[30] 30-04-2024 / CH / 2024-00233

[51] Cl. 10-07

[54] 錶的凸緣

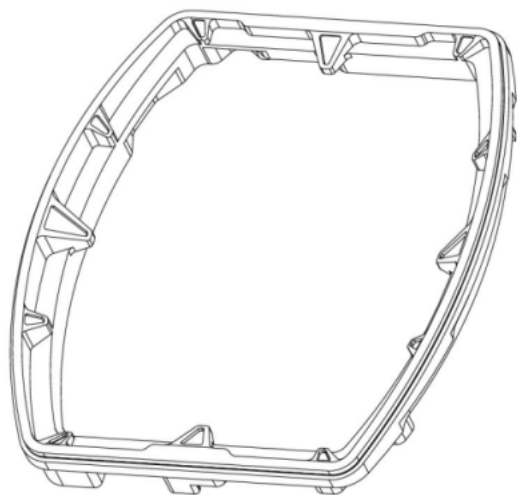
Watch flange

[73] Turlen Holding SA

Rue du Jura 11,  
2345 Les Breuleux,  
SWITZERLAND

[74] WILKINSON & GRIST

11/F, Great Eagle Centre,  
23 Harbour Road,  
Hong Kong



---

[11] 2424182.0

[15] 04-10-2024

[51] Cl. 14-06

[54] 桿夾

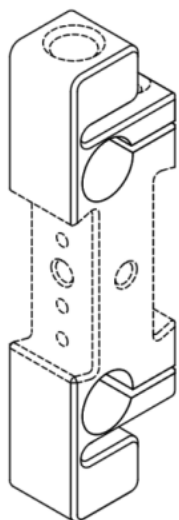
Rod clamp

[73] Monoblocc Limited

Unit 2A, 17/F, Glenealy Tower,  
No. 1 Glenealy, Central,  
Hong Kong S.A.R.

[74] MARKS & CLERK

Level 9, Cyberport 1,  
100 Cyberport Road, Pok Fu Lam,  
Hong Kong



---

[11] 2424183.2M001

[15] 04-10-2024

[51] Cl. 12-08

[54] 巴士

Bus

[73] CITYBUS LIMITED

8 Chong Fu Road,

Chai Wan,

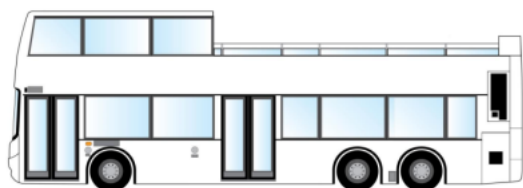
HONG KONG

[74] ELLALAN

26th - 28th Floors, The Hennessy,

256 Hennessy Road, Wanchai,

Hong Kong



---

[11] 2424183.2M002

[15] 04-10-2024

[51] Cl. 12-08

[54] 巴士

Bus

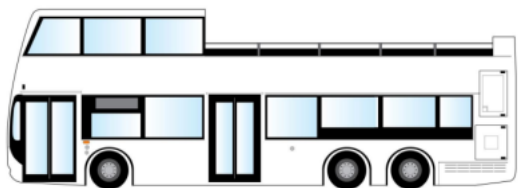
[73] CITYBUS LIMITED

8 Chong Fu Road,

Chai Wan,

HONG KONG

- [74] ELLALAN  
26th - 28th Floors, The Hennessy,  
256 Hennessy Road, Wanchai,  
Hong Kong



- 
- [11] 2424185.7  
[15] 07-10-2024  
[51] Cl. 21-01  
[54] 手辦玩具  
Toy figure  
[73] 姚志良  
Yiu Chi Leung  
香港  
青衣盈翠半島二座  
46樓B室  
[74] 姚志良  
香港  
青衣盈翠半島二座  
46樓B室



- 
- [11] 2424186.9  
[15] 07-10-2024  
[51] Cl. 11-02

[54] 裝飾物

Ornament

[73] 老鋪黃金(香港)有限公司

LAO PU (HONG KONG) COMPANY LIMITED

Room 801-2, 8/F,

Easey Commercial Building,

253-261 Hennessy Road,

Wanchai, HONG KONG

[74] CHARLES RUSSELL SPEECHLYS LLP

SUITE 3418, LEVEL 34, TWO PACIFIC PLACE,

88 QUEENSWAY,

HONG KONG



---

[11] 2424187.1

[15] 07-10-2024

[51] Cl. 11-02

[54] 裝飾物

Ornament

[73] 老鋪黃金(香港)有限公司

LAO PU (HONG KONG) COMPANY LIMITED

Room 801-2, 8/F,

Easey Commercial Building,

253-261 Hennessy Road,

Wanchai, HONG KONG

[74] CHARLES RUSSELL SPEECHLYS LLP

SUITE 3418, LEVEL 34, TWO PACIFIC PLACE,

88 QUEENSWAY,

HONG KONG



---

[11] 2424188.3

[15] 07-10-2024

[51] Cl. 11-02

[54] 裝飾物

Ornament

[73] 老鋪黃金(香港)有限公司

LAO PU (HONG KONG) COMPANY LIMITED

Room 801-2, 8/F,

Easey Commercial Building,

253-261 Hennessy Road,

Wanchai, HONG KONG

[74] CHARLES RUSSELL SPEECHLYS LLP

SUITE 3418, LEVEL 34, TWO PACIFIC PLACE,

88 QUEENSWAY,

HONG KONG



- [11] 2424189.5  
[15] 07-10-2024  
[51] Cl. 11-02  
[54] 裝飾物  
Ornament  
[73] 老鋪黃金(香港)有限公司  
LAO PU (HONG KONG) COMPANY LIMITED  
Room 801-2, 8/F,  
Easey Commercial Building,  
253-261 Hennessy Road,  
Wanchai, HONG KONG  
[74] CHARLES RUSSELL SPEECHLYS LLP  
SUITE 3418, LEVEL 34, TWO PACIFIC PLACE,  
88 QUEENSWAY,  
HONG KONG



- 
- [11] 2424190.7  
[15] 07-10-2024  
[51] Cl. 11-02  
[54] 裝飾物  
Ornament  
[73] 老鋪黃金(香港)有限公司  
LAO PU (HONG KONG) COMPANY LIMITED  
Room 801-2, 8/F,  
Easey Commercial Building,  
253-261 Hennessy Road,  
Wanchai, HONG KONG  
[74] CHARLES RUSSELL SPEECHLYS LLP  
SUITE 3418, LEVEL 34, TWO PACIFIC PLACE,

88 QUEENSWAY,  
HONG KONG



---

[11] 2424191.9

[15] 07-10-2024

[51] Cl. 11-02

[54] 裝飾杯

Decorative beaker

[73] 老鋪黃金(香港)有限公司

LAO PU (HONG KONG) COMPANY LIMITED

Room 801-2, 8/F,

Easey Commercial Building,

253-261 Hennessy Road,

Wanchai, HONG KONG

[74] CHARLES RUSSELL SPEECHLYS LLP

SUITE 3418, LEVEL 34, TWO PACIFIC PLACE,

88 QUEENSWAY,

HONG KONG



- [11] 2424192.1  
[15] 07-10-2024  
[51] Cl. 11-02  
Cl. 11-01  
[54] 裝飾物  
Ornament  
[73] 老鋪黃金(香港)有限公司  
LAO PU (HONG KONG) COMPANY LIMITED  
Room 801-2, 8/F,  
Easey Commercial Building,  
253-261 Hennessy Road,  
Wanchai, HONG KONG  
[74] CHARLES RUSSELL SPEECHLYS LLP  
SUITE 3418, LEVEL 34, TWO PACIFIC PLACE,  
88 QUEENSWAY,  
HONG KONG



- 
- [11] 2424193.3  
[15] 07-10-2024  
[51] Cl. 11-02  
[54] 裝飾杯  
Decorative chalice  
[73] 老鋪黃金(香港)有限公司  
LAO PU (HONG KONG) COMPANY LIMITED  
Room 801-2, 8/F,  
Easey Commercial Building,  
253-261 Hennessy Road,  
Wanchai, HONG KONG  
[74] CHARLES RUSSELL SPEECHLYS LLP  
SUITE 3418, LEVEL 34, TWO PACIFIC PLACE,



88 QUEENSWAY,  
HONG KONG



---

[11] 2424194.5

[15] 07-10-2024

[51] Cl. 11-02

[54] 裝飾壺

Decorative pot

[73] 老鋪黃金(香港)有限公司

LAO PU (HONG KONG) COMPANY LIMITED

Room 801-2, 8/F,

Easey Commercial Building,

253-261 Hennessy Road,

Wanchai, HONG KONG

[74] CHARLES RUSSELL SPEECHLYS LLP

SUITE 3418, LEVEL 34, TWO PACIFIC PLACE,

88 QUEENSWAY,

HONG KONG



---

[11] 2424195.8

[15] 07-10-2024

[51] Cl. 11-02

[54] 裝飾物

Ornament

[73] 老鋪黃金(香港)有限公司

LAO PU (HONG KONG) COMPANY LIMITED

Room 801-2, 8/F,

Easey Commercial Building,

253-261 Hennessy Road,

Wanchai, HONG KONG

[74] CHARLES RUSSELL SPEECHLYS LLP

SUITE 3418, LEVEL 34, TWO PACIFIC PLACE,

88 QUEENSWAY,

HONG KONG



[11] 2424196.0

[15] 07-10-2024

[51] Cl. 11-02

[54] 裝飾物

Ornament

[73] 老鋪黃金(香港)有限公司

LAO PU (HONG KONG) COMPANY LIMITED

Room 801-2, 8/F,

Easey Commercial Building,

253-261 Hennessy Road,

Wanchai, HONG KONG

[74] CHARLES RUSSELL SPEECHLYS LLP

SUITE 3418, LEVEL 34, TWO PACIFIC PLACE,

88 QUEENSWAY,

HONG KONG



---

[11] 2424197.2

[15] 07-10-2024

[51] Cl. 11-02

[54] 裝飾物

Ornament

[73] 老鋪黃金(香港)有限公司

LAO PU (HONG KONG) COMPANY LIMITED

Room 801-2, 8/F,

Easey Commercial Building,

253-261 Hennessy Road,

Wanchai, HONG KONG

[74] CHARLES RUSSELL SPEECHLYS LLP

SUITE 3418, LEVEL 34, TWO PACIFIC PLACE,

88 QUEENSWAY,  
HONG KONG



---

[11] 2424198.4

[15] 07-10-2024

[51] Cl. 11-02

[54] 裝飾物

Ornament

[73] 老鋪黃金(香港)有限公司

LAO PU (HONG KONG) COMPANY LIMITED

Room 801-2, 8/F,

Easey Commercial Building,

253-261 Hennessy Road,

Wanchai, HONG KONG

[74] CHARLES RUSSELL SPEECHLYS LLP

SUITE 3418, LEVEL 34, TWO PACIFIC PLACE,

88 QUEENSWAY,

HONG KONG



---

[11] 2424199.6

[15] 07-10-2024

[51] Cl. 11-02

[54] 裝飾物

Ornament

[73] 老鋪黃金(香港)有限公司

LAO PU (HONG KONG) COMPANY LIMITED

Room 801-2, 8/F,

Easey Commercial Building,

253-261 Hennessy Road,

Wanchai, HONG KONG

[74] CHARLES RUSSELL SPEECHLYS LLP

SUITE 3418, LEVEL 34, TWO PACIFIC PLACE,

88 QUEENSWAY,

HONG KONG



- [11] 2424200.0  
[15] 07-10-2024  
[51] Cl. 11-02  
[54] 裝飾物  
Ornament  
[73] 老鋪黃金(香港)有限公司  
LAO PU (HONG KONG) COMPANY LIMITED  
Room 801-2, 8/F,  
Easey Commercial Building,  
253-261 Hennessy Road,  
Wanchai, HONG KONG  
[74] CHARLES RUSSELL SPEECHLYS LLP  
SUITE 3418, LEVEL 34, TWO PACIFIC PLACE,  
88 QUEENSWAY,  
HONG KONG



- 
- [11] 2424201.2  
[15] 07-10-2024  
[51] Cl. 11-02  
[54] 裝飾物  
Ornament  
[73] 老鋪黃金(香港)有限公司  
LAO PU (HONG KONG) COMPANY LIMITED  
Room 801-2, 8/F,  
Easey Commercial Building,  
253-261 Hennessy Road,  
Wanchai, HONG KONG  
[74] CHARLES RUSSELL SPEECHLYS LLP  
SUITE 3418, LEVEL 34, TWO PACIFIC PLACE,

88 QUEENSWAY,  
HONG KONG



---

[11] 2424202.4

[15] 07-10-2024

[51] Cl. 11-02

[54] 無柄裝飾杯

Decorative cup without handle

[73] 老鋪黃金(香港)有限公司

LAO PU (HONG KONG) COMPANY LIMITED

Room 801-2, 8/F,

Easey Commercial Building,

253-261 Hennessy Road,

Wanchai, HONG KONG

[74] CHARLES RUSSELL SPEECHLYS LLP

SUITE 3418, LEVEL 34, TWO PACIFIC PLACE,

88 QUEENSWAY,

HONG KONG



---

[11] 2424203.6

[15] 07-10-2024

[51] Cl. 11-02

[54] 裝飾物

Ornament

[73] 老鋪黃金(香港)有限公司

LAO PU (HONG KONG) COMPANY LIMITED

Room 801-2, 8/F,

Easey Commercial Building,

253-261 Hennessy Road,

Wanchai, HONG KONG

[74] CHARLES RUSSELL SPEECHLYS LLP

SUITE 3418, LEVEL 34, TWO PACIFIC PLACE,

88 QUEENSWAY,

HONG KONG





[11] 2424204.8

[15] 07-10-2024

[51] Cl. 11-01

[54] 吊墜

Pendant

[73] 老鋪黃金(香港)有限公司

LAO PU (HONG KONG) COMPANY LIMITED

Room 801-2, 8/F,

Easey Commercial Building,

253-261 Hennessy Road,

Wanchai, HONG KONG

[74] CHARLES RUSSELL SPEECHLYS LLP

SUITE 3418, LEVEL 34, TWO PACIFIC PLACE,

88 QUEENSWAY,

HONG KONG



---

[11] 2424206.3

[15] 07-10-2024

[51] Cl. 11-01

[54] 吊墜

Pendant

[73] 老鋪黃金(香港)有限公司

LAO PU (HONG KONG) COMPANY LIMITED

Room 801-2, 8/F,

Easey Commercial Building,

253-261 Hennessy Road,

Wanchai, HONG KONG

[74] CHARLES RUSSELL SPEECHLYS LLP

SUITE 3418, LEVEL 34, TWO PACIFIC PLACE,

88 QUEENSWAY,

HONG KONG



---

[11] 2424207.5

[15] 07-10-2024

[51] Cl. 11-02

[54] 裝飾杯

Decorative beaker

[73] 老鋪黃金(香港)有限公司

LAO PU (HONG KONG) COMPANY LIMITED

Room 801-2, 8/F,

Easey Commercial Building,

253-261 Hennessy Road,

Wanchai, HONG KONG

[74] CHARLES RUSSELL SPEECHLYS LLP

SUITE 3418, LEVEL 34, TWO PACIFIC PLACE,

88 QUEENSWAY,

HONG KONG



---

[11] 2424212.5

[15] 08-10-2024

[51] Cl. 10-02

[54] 錶

Watch

[73] Glashütter Uhrenbetrieb GMBH

Altenberger Str. 1,

01768 Glashütte,

GERMANY

[74] SPRUSON & FERGUSON (HONG KONG) LIMITED

5001, Hopewell Centre,

183 Queen's Road East, Wan Chai,

Hong Kong



---

[11] 2424215.2

[15] 08-10-2024

[51] Cl. 21-01

[54] 兔子公仔

Rabbit figure

[73] 劉敬文

LAU King Man

香港

粉嶺和滿街 8 號

帝庭軒 2 座 12 樓 H 室

[74] LAU KING MAN

香港

RM. H, 12/F., BLOCK 2,

REGENTVILLE, FANLING,





香港特別行政區政府知識產權署外觀設計註冊處  
The Government of the Hong Kong Special Administrative Region  
Designs Registry, Intellectual Property Department

根據註冊外觀設計條例第 28 條，下列註冊外觀設計因未繳續期費而停止有效。

各組記項按註冊外觀設計停止有效日期及註冊編號先後次序排列。

**Registered designs ceased through non-payment of renewal fees under section 28 of the Registered Designs Ordinance. Entries are listed below under their expiry dates.**

**31-10-2024 - 06-11-2024**

<b>31-10-2024</b>	1402058.0M002	1914984.2M003
0412506.2M001	1402058.0M004	
1914926.1	1402058.0M005	
1914928.5M001	1914943.6	
1914928.5M002	1914947.5M001	
1914929.7	1914947.5M002	
	1914948.7	
<b>01-11-2024</b>		
0901823.5	<b>05-11-2024</b>	
0901824.7	0901852.6M001	
	0901852.6M002	
<b>02-11-2024</b>	0901852.6M003	
0901833.6	1402062.8M001	
0901839.9	1402062.8M002	
	1402064.2	
<b>03-11-2024</b>	1402065.5	
1402054.1M001	1914953.7M001	
1402054.1M002	1914953.7M002	
1402055.4M001	1914953.7M003	
1402055.4M002	1914954.9	
1914930.9M001	1914957.6	
1914930.9M002		
1914932.3M001	<b>06-11-2024</b>	
1914932.3M002	1402074.3	
1914933.5M001	1402076.8	
1914933.5M002	1914971.5	
1914933.5M003	1914973.9	
1914933.5M005	1914974.1	
1914933.5M006	1914975.4	
1914935.0	1914976.6	
1914936.2	1914977.8	
1914938.6	1914978.0	
	1914979.2	
<b>04-11-2024</b>	1914984.2M002	



香港特別行政區政府知識產權署外觀設計註冊處

The Government of the Hong Kong Special Administrative Region

Designs Registry, Intellectual Property Department

根據註冊外觀設計規則第 31 條刪除的註冊外觀設計。各組記項按註冊外觀設計刪除日期及註冊編號先後次序排列。

**Registered designs removed under section 31 of the Registered Designs Rules. Entries are listed below under their removal dates.**

**09-11-2024 - 14-11-2024**

<b>09-11-2024</b>	1913577.9M003	0900725.7M002
1400819.3M002	1913577.9M004	0900726.9M001
1400819.3M003	1913578.1M001	0900726.9M002
1400820.5M002	1913578.1M002	0900726.9M003
1400820.5M003	1913578.1M003	0900726.9M004
1400830.6	1913578.1M004	1913584.3M001
1400833.2	1913578.1M005	1913584.3M002
1913571.6M002	1913578.1M006	1913584.3M003
1913571.6M003	1913578.1M007	1913587.0
1913571.6M004	1913578.1M008	
1913571.6M005	1913578.1M009	
1913571.6M006	1913578.1M010	
1913571.6M007	1913578.1M011	
1913571.6M008	1913579.3M001	
1913571.6M009	1913579.3M002	
1913571.6M010	1913579.3M003	
1913571.6M012	1913579.3M004	
1913571.6M013	1913580.5M001	
1913571.6M014	1913580.5M002	
1913571.6M015	1913580.5M003	
1913571.6M016	1913580.5M004	
1913571.6M017	1913580.5M005	
1913571.6M018	1913580.5M006	
1913571.6M019	1913582.9M002	
1913571.6M020	1913582.9M003	
1913573.0		

**14-11-2024**

0410988.0M001
0410988.0M004
0410988.0M005
1400842.1M001
1400842.1M002
1400842.1M003
1400842.1M004
1400842.1M005
1400843.3M001
1400843.3M002
1400848.4M003
1913590.6
1913591.8M001
1913591.8M002

**12-11-2024**

<b>10-11-2024</b>	0900711.7
1913575.5	0900717.0
1913576.7M001	1400837.1
1913576.7M002	1400838.3
1913576.7M003	
1913577.9M001	
1913577.9M002	

**13-11-2024**

0900725.7M001
---------------